



US00D585310S

(12) **United States Design Patent**
Allison

(10) **Patent No.:** **US D585,310 S**

(45) **Date of Patent:** **** Jan. 27, 2009**

(54) **WATCH WITH INTERCHANGEABLE FACE**

D459,241 S * 6/2002 Bodino D10/32
D473,478 S * 4/2003 d'Origny D10/39
D492,207 S * 6/2004 Rizzetto D10/30

(76) Inventor: **Charles L. Allison**, 4618 Mallard Creek
Dr., Greensboro, NC (US) 27405

* cited by examiner

(**) Term: **14 Years**

Primary Examiner—Lucy Lieberman

(21) Appl. No.: **29/321,740**

(57) **CLAIM**

(22) Filed: **Jul. 22, 2008**

The ornamental design for a watch with interchangeable face,
as shown and described.

(51) **LOC (9) Cl.** **10-02**

(52) **U.S. Cl.** **D10/39**

(58) **Field of Classification Search** D10/30-39,
D10/122-132; 368/276, 285, 223, 228, 232,
368/80, 294, 295

DESCRIPTION

See application file for complete search history.

FIG. 1 is a front elevational view of the watch with inter-
changeable face showing my new design;

(56) **References Cited**

FIG. 2 is a rear elevational view of the watch with inter-
changeable face thereof;

U.S. PATENT DOCUMENTS

FIG. 3 is a left-side elevational view of the watch with inter-
changeable face thereof;

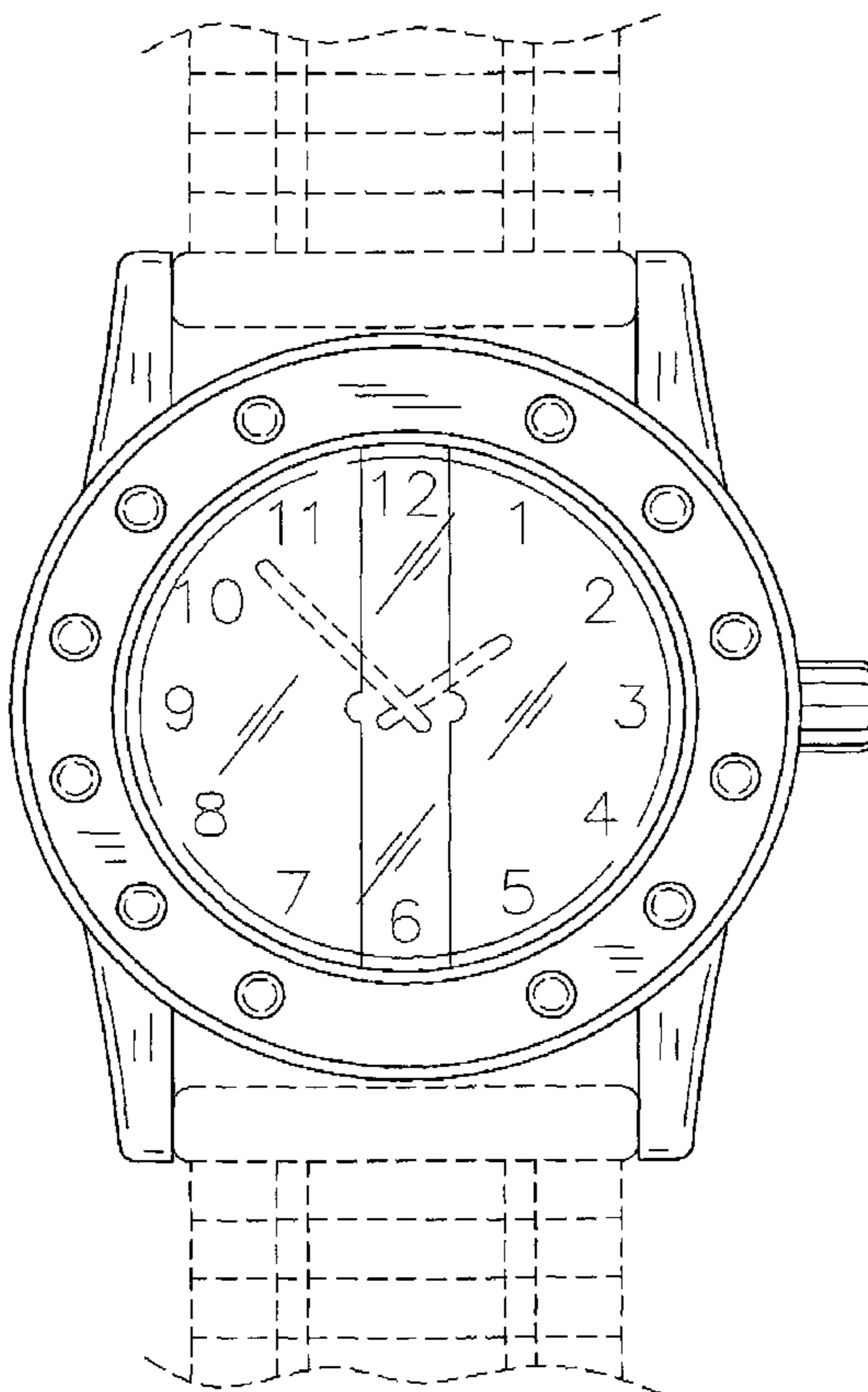
- D205,147 S * 6/1966 Trudeau D10/33
- D222,784 S * 12/1971 Kurth D10/39
- 3,733,809 A * 5/1973 Reiter et al. 368/232
- D278,686 S * 5/1985 Mathez D10/39
- D283,401 S * 4/1986 Lung D10/30
- D289,145 S * 4/1987 Homsy D10/32
- D325,535 S * 4/1992 Yamamoto D10/39
- 5,220,541 A * 6/1993 Vuilleumier 368/88
- D434,672 S * 12/2000 Berliat D10/30
- D435,223 S * 12/2000 Bodino D10/32

FIG. 4 is right-side elevational view of the watch with inter-
changeable face thereof; and,

FIG. 5 is a top plan view of the watch with interchangeable
face thereof;

The broken lines shown in FIG. 1 are for illustrative purposes
only and form no part of the claimed design.

1 Claim, 3 Drawing Sheets



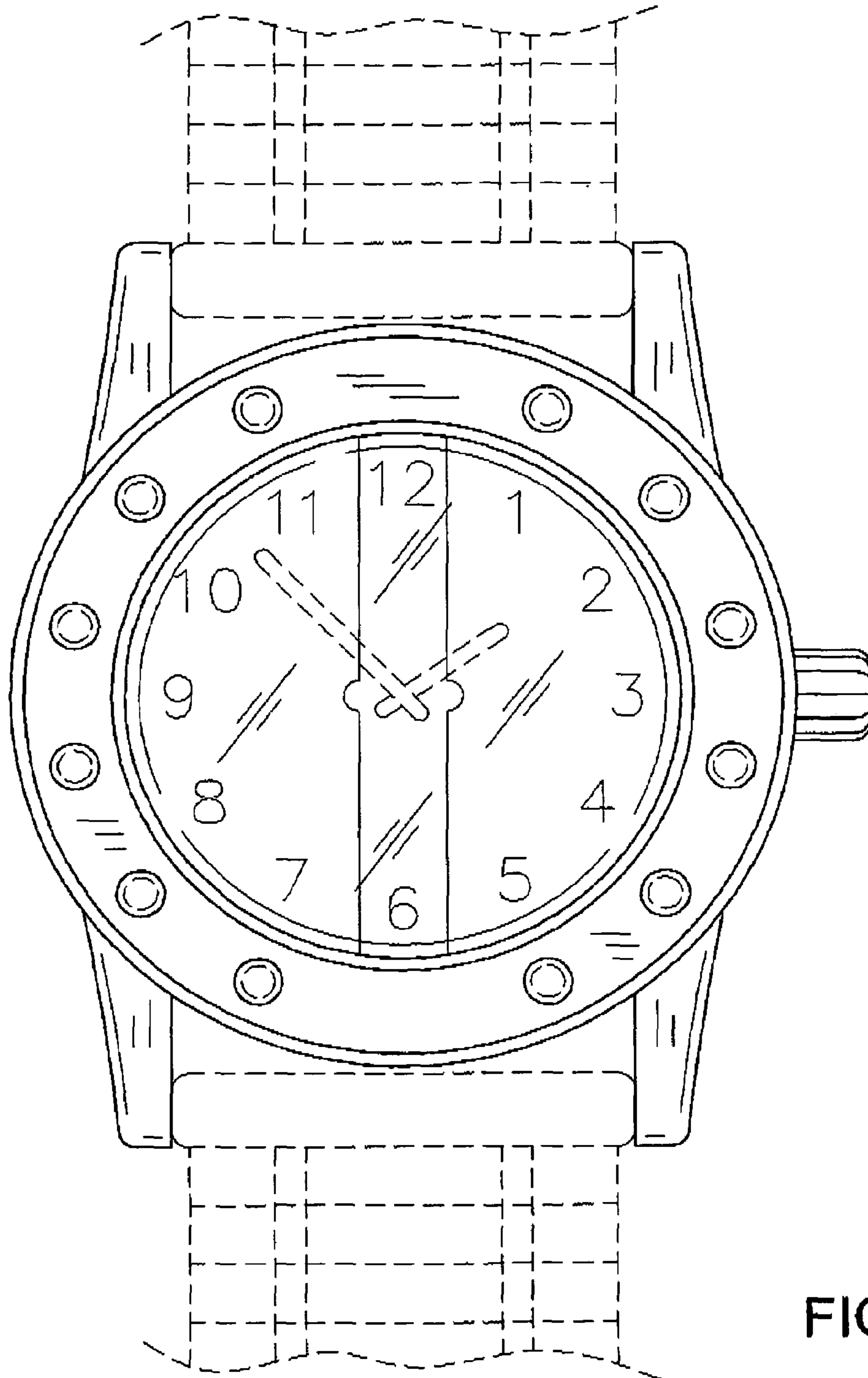


FIG. 1

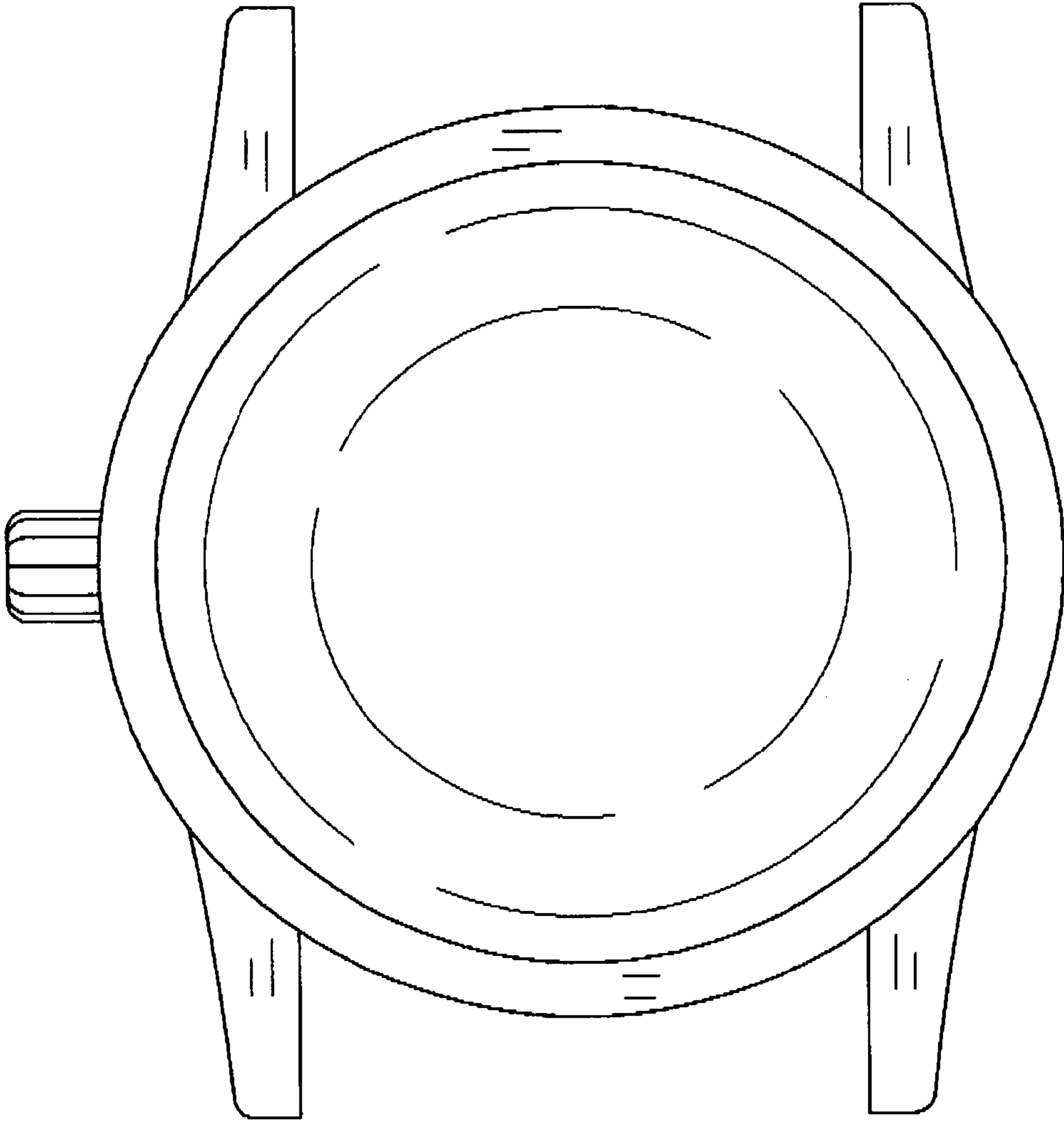


FIG. 2

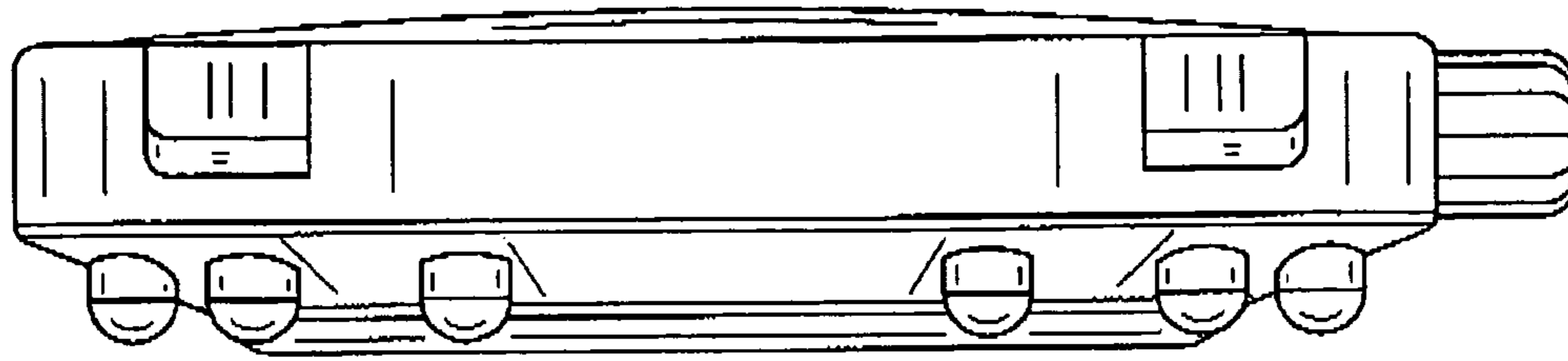


FIG. 5

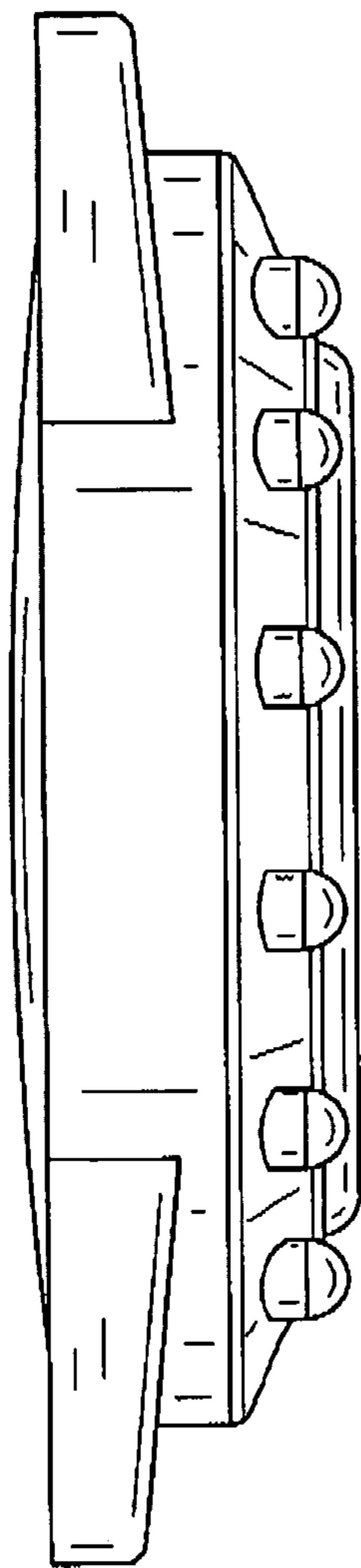


FIG. 3

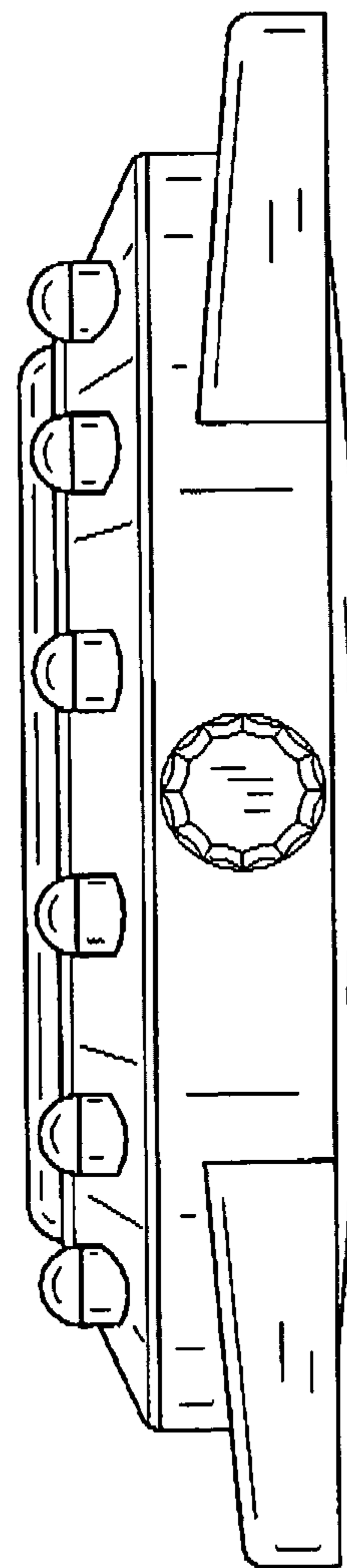


FIG. 4