



US00D585308S

(12) **United States Design Patent**
Loth

(10) **Patent No.:** **US D585,308 S**
(45) **Date of Patent:** **** Jan. 27, 2009**

(54) **WATCH CASE**

(75) Inventor: **Eric Loth**, La Chaux-de-Fonds (CH)

(73) Assignee: **The British Masters SA**, La Chaux de Fonds (CH)

(**) Term: **14 Years**

(21) Appl. No.: **29/322,680**

(22) Filed: **Aug. 8, 2008**

(30) **Foreign Application Priority Data**

Apr. 14, 2008 (CH) 135077

(51) **LOC (9) Cl.** **10-02**

(52) **U.S. Cl.** **D10/38**

(58) **Field of Classification Search** D10/30-39,
D10/122-132; 368/276, 277, 285, 294, 296,
368/288, 289, 308, 319

See application file for complete search history.

(56) **References Cited**

U.S. PATENT DOCUMENTS

3,503,203 A * 3/1970 Gruner et al. 368/21
4,462,697 A * 7/1984 Thompson 368/282
D385,803 S * 11/1997 Hysek D10/30
D434,672 S * 12/2000 Berliat D10/30
6,200,019 B1 * 3/2001 Latini 368/289
6,210,034 B1 * 4/2001 Latini 368/289

D452,175 S * 12/2001 Finazzi D10/39
D473,473 S * 4/2003 Wunderman D10/32
6,679,624 B1 * 1/2004 Mouawad 368/216
D533,468 S * 12/2006 Loth D10/32
D563,802 S * 3/2008 Loth D10/39
D566,586 S * 4/2008 Lalo D10/39
D574,263 S * 8/2008 Loth D10/38
D574,734 S * 8/2008 Loth D10/38

* cited by examiner

Primary Examiner—Lucy Lieberman

(74) *Attorney, Agent, or Firm*—Sughure Mion, PLLC

(57) **CLAIM**

The ornamental design for a watch case, as shown and described.

DESCRIPTION

FIG. 1 is a perspective view of the front and right side of a watch case showing my new design;

FIG. 2 is a front elevational view thereof;

FIG. 3 is a rear elevational view thereof;

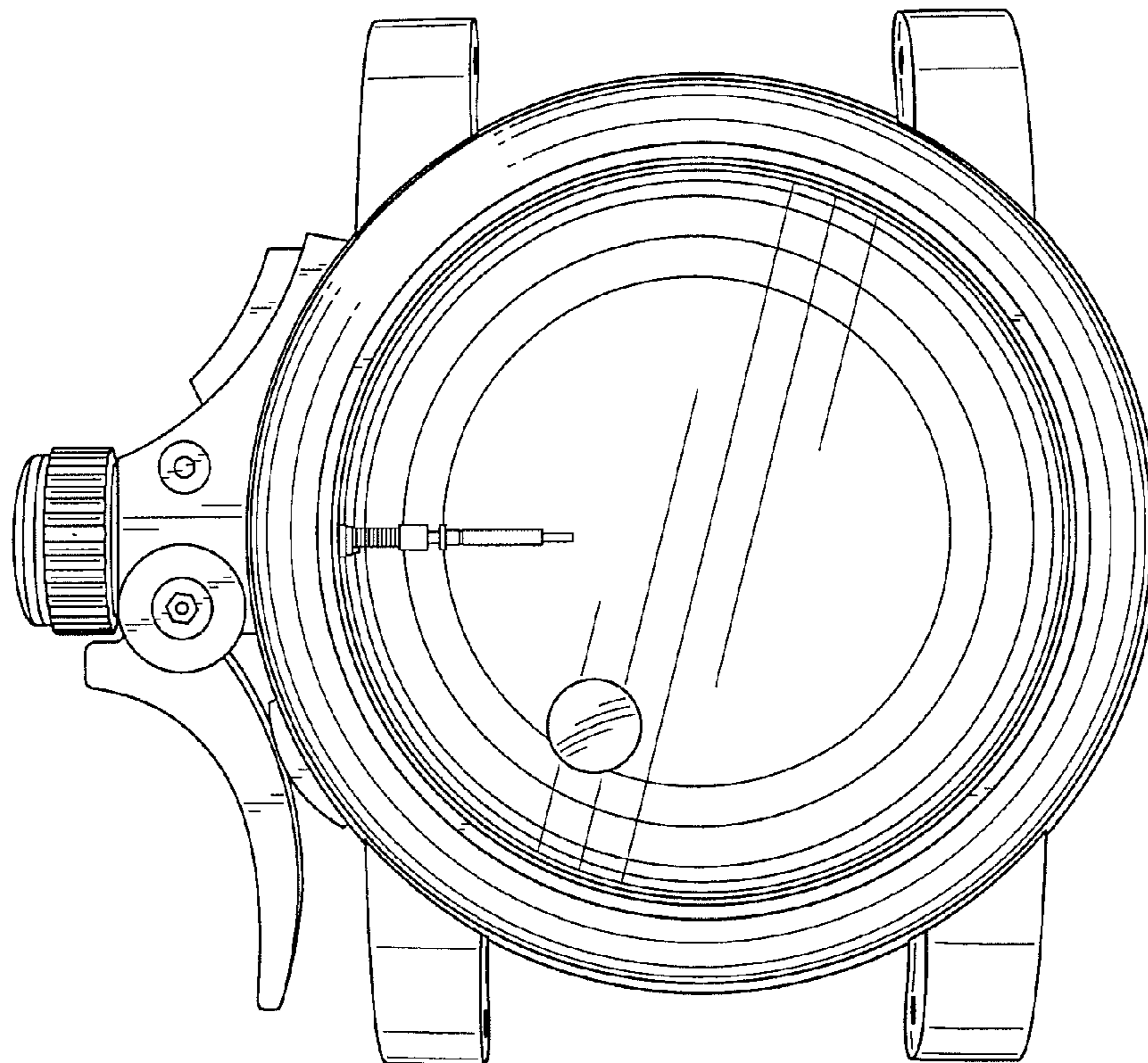
FIG. 4 is a right side elevational view thereof;

FIG. 5 is a left side elevational view thereof;

FIG. 6 is a top plan view thereof; and,

FIG. 7 is a bottom plan view thereof.

1 Claim, 5 Drawing Sheets



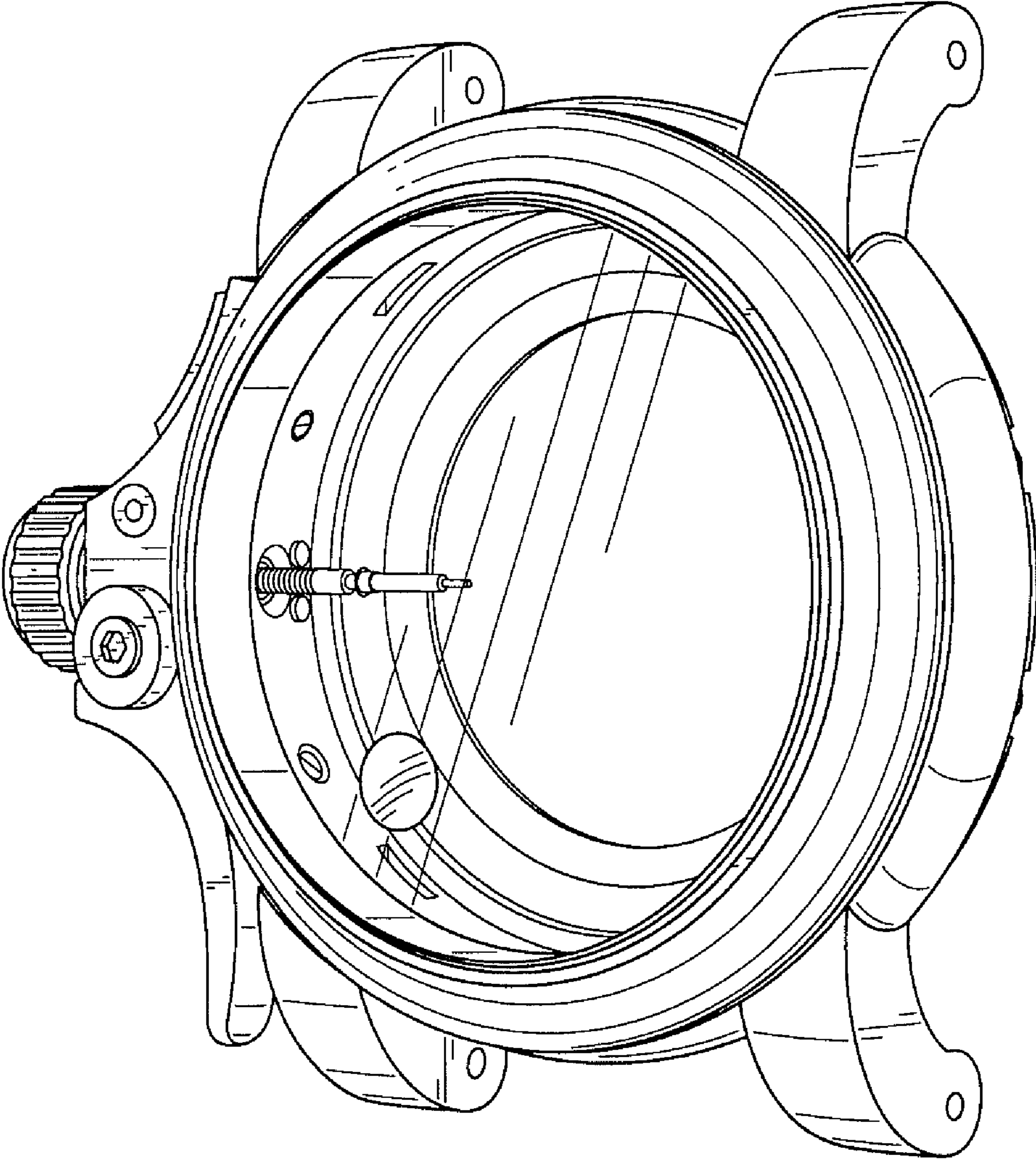


FIG. 1

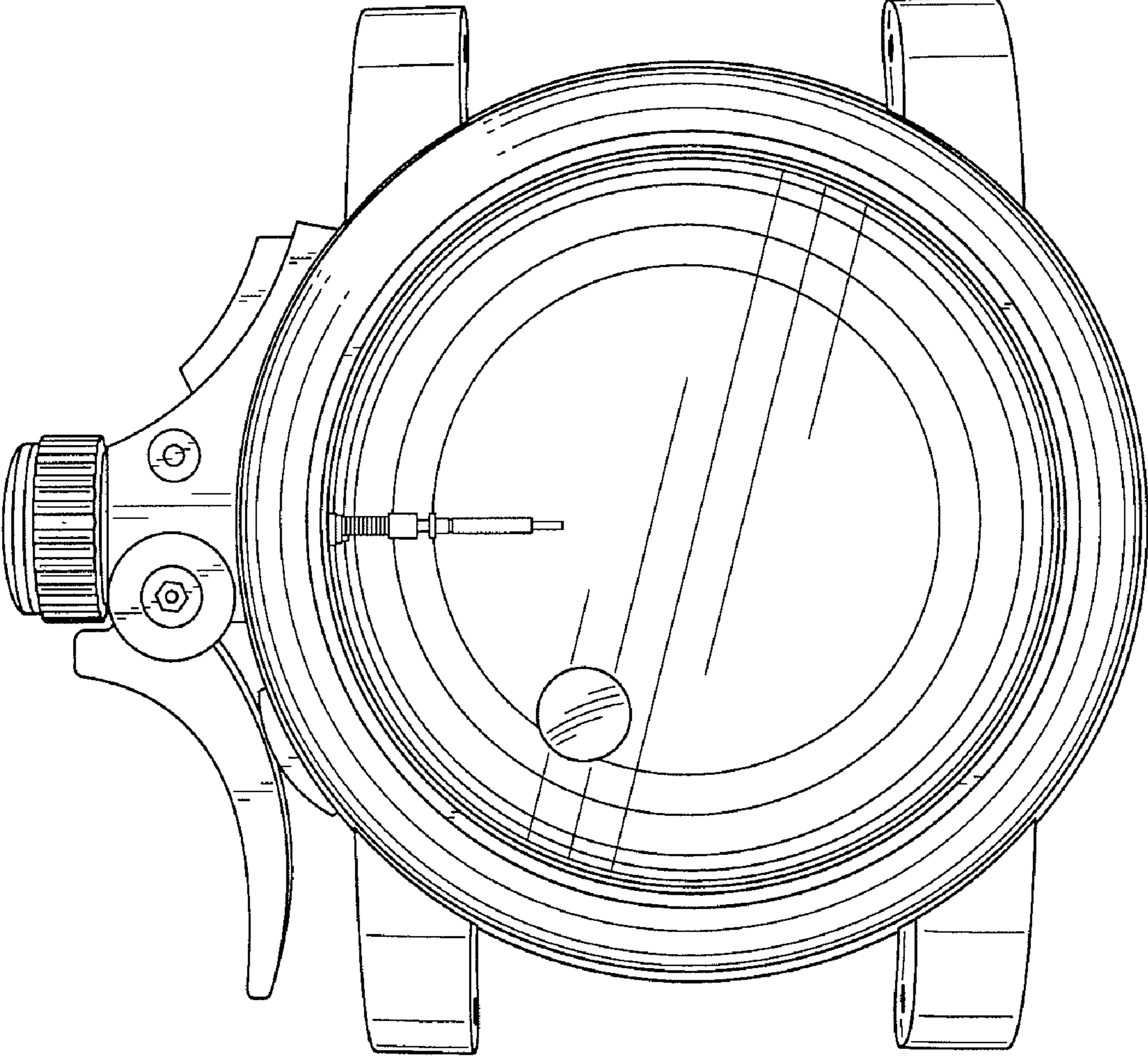


FIG. 2

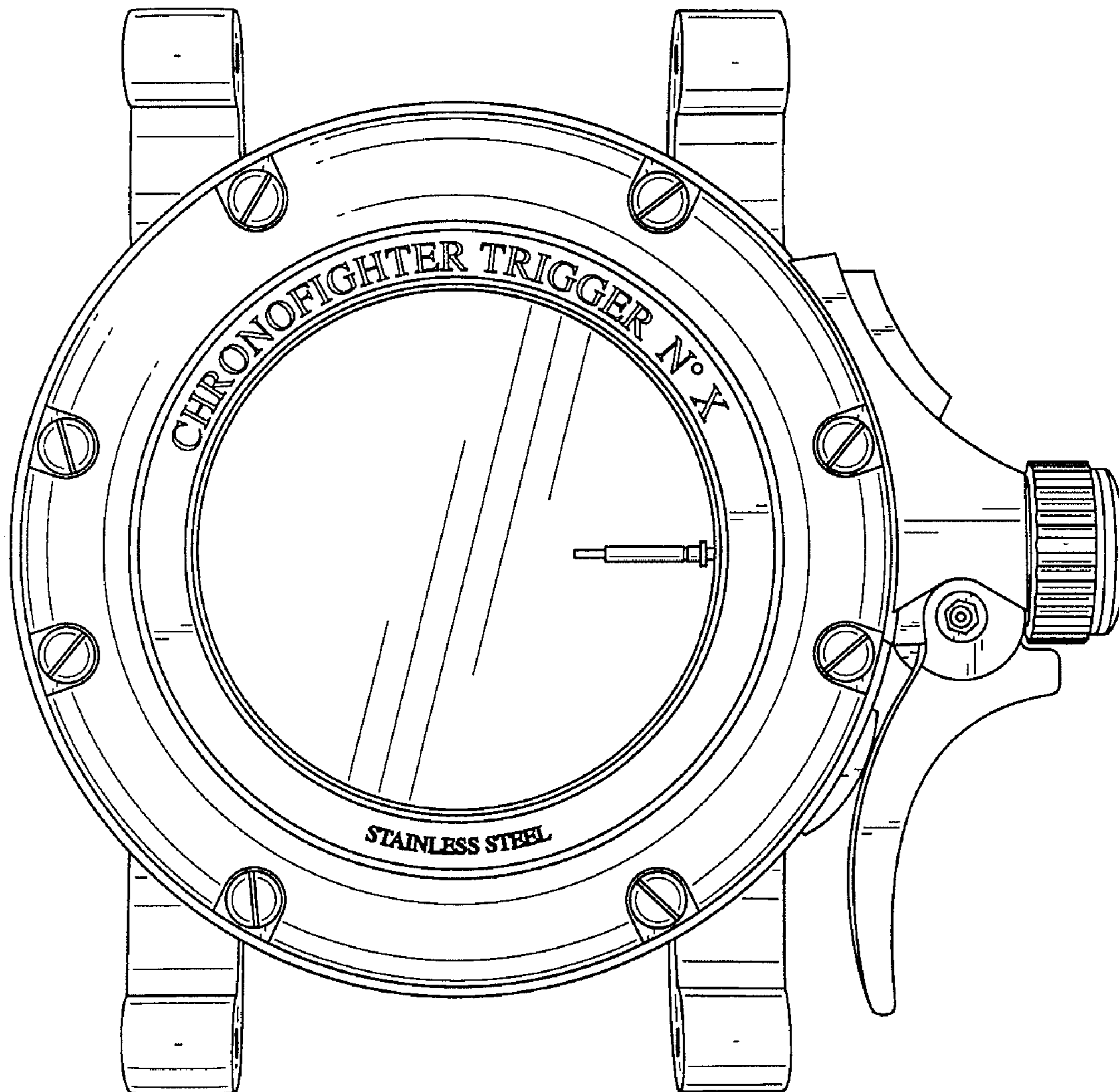


FIG. 3

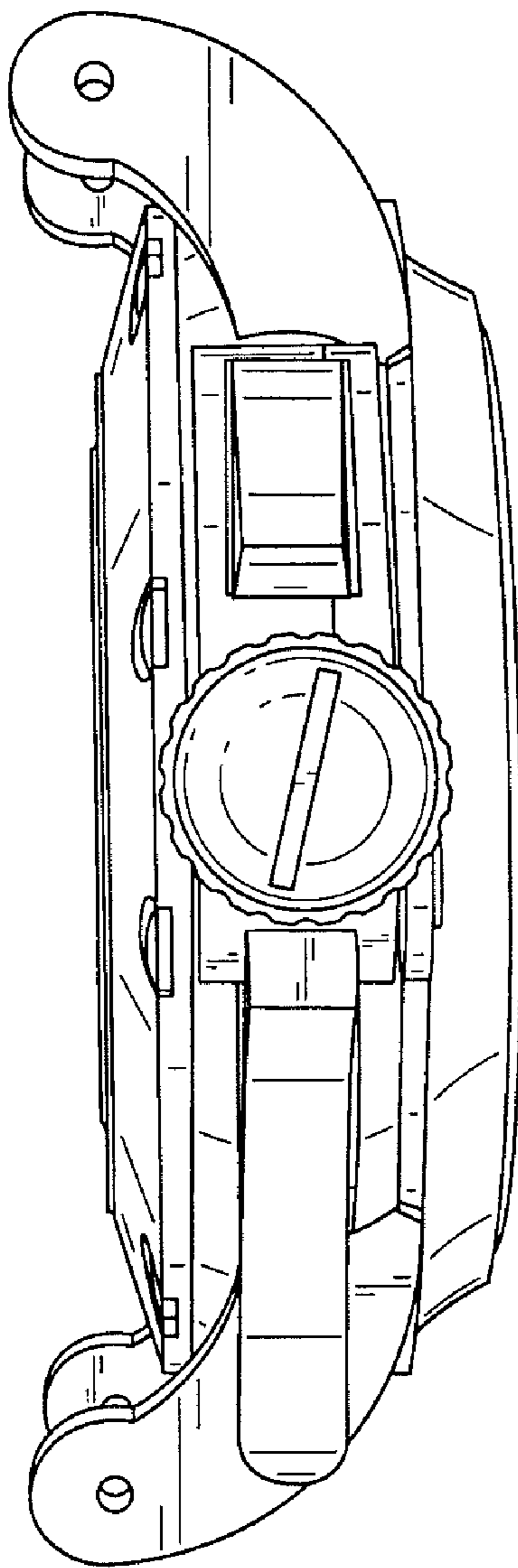


FIG. 4

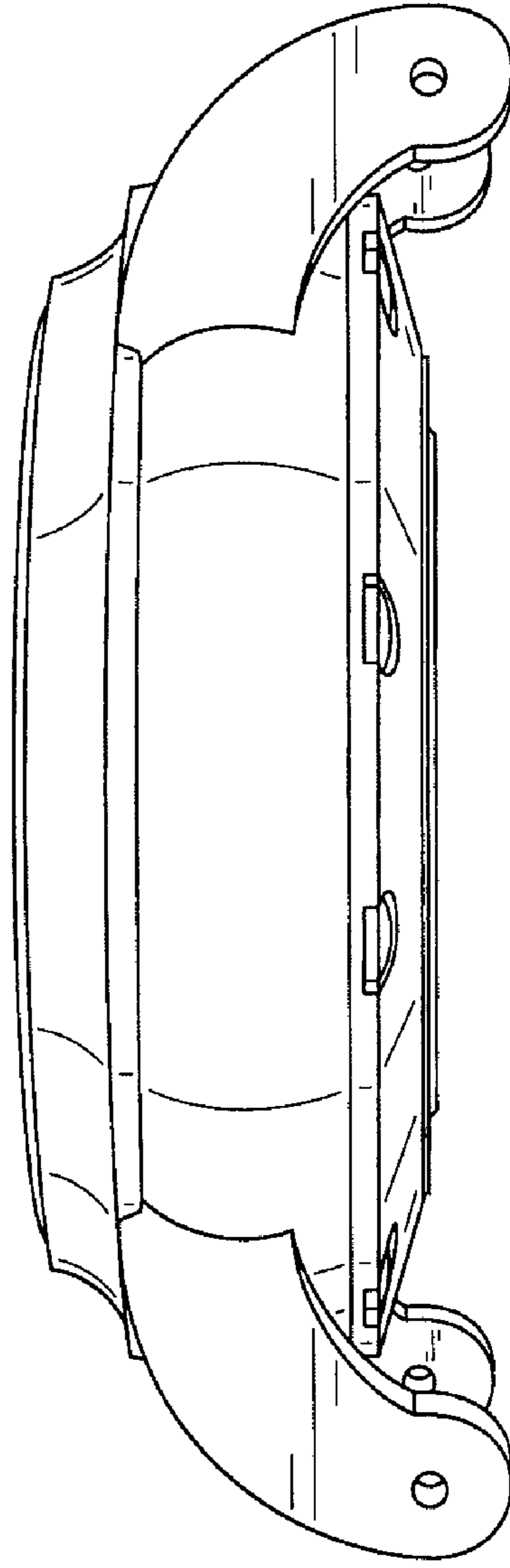


FIG. 5

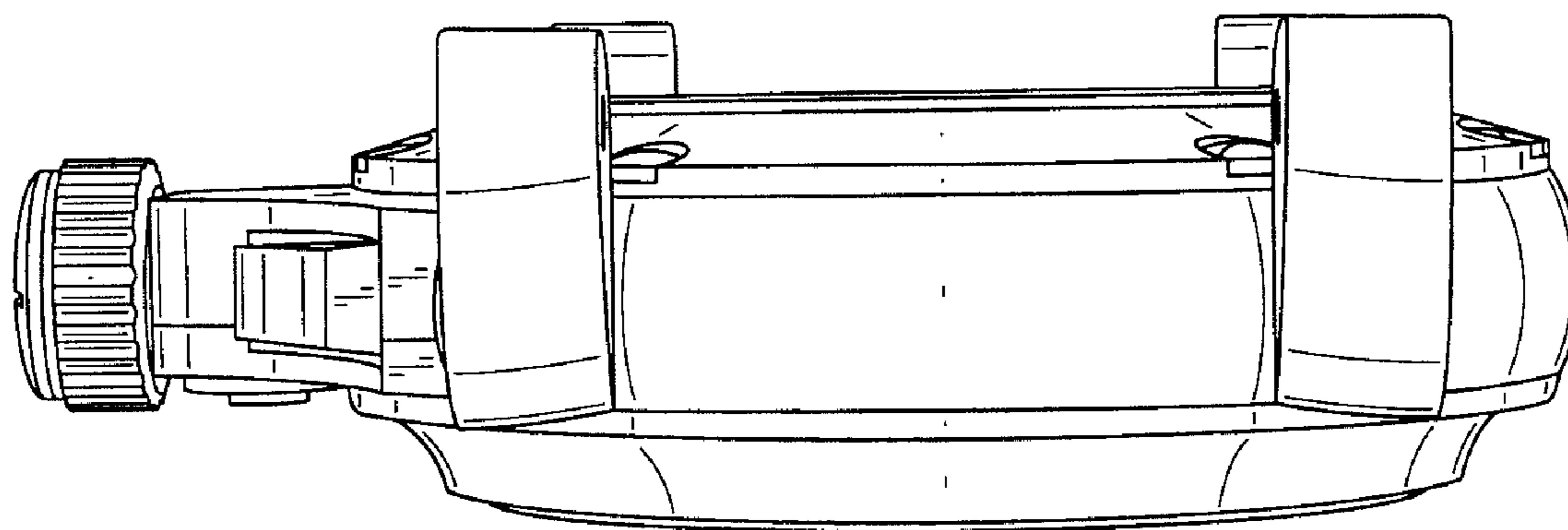


FIG. 6

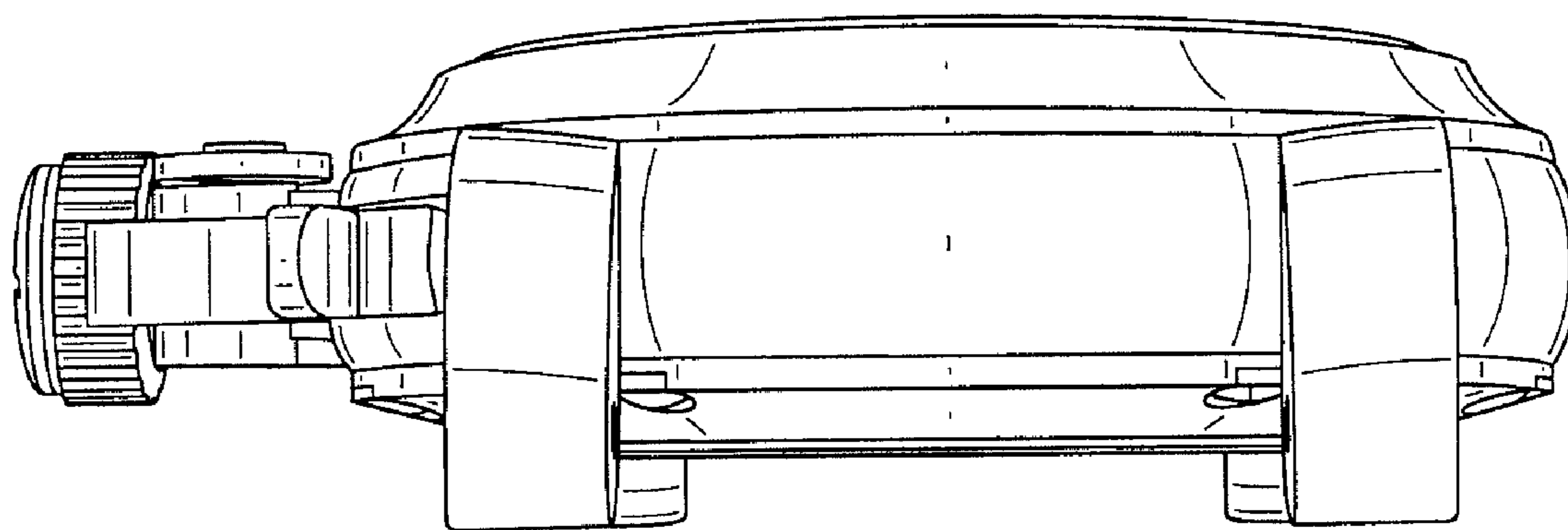


FIG. 7