



US00D585306S

(12) **United States Design Patent**
Oas

(10) **Patent No.:** **US D585,306 S**
(45) **Date of Patent:** **** Jan. 27, 2009**

(54) **COMBINED DESK CLOCK AND USB HUB**

(76) Inventor: **Daniel Oas**, 6250 No. Irwindale Ave.,
Irwindale, CA (US) 91702

(**) Term: **14 Years**

(21) Appl. No.: **29/307,545**

(22) Filed: **Apr. 25, 2008**

(51) **LOC (9) Cl.** **10-01**

(52) **U.S. Cl.** **D10/2; D10/15**

(58) **Field of Classification Search** D10/1-29;
D14/433; 368/10, 29, 30, 276, 316, 317,
368/239-242, 82-84

See application file for complete search history.

(56) **References Cited**

U.S. PATENT DOCUMENTS

2,749,704	A *	6/1956	Heikkila	368/233
3,759,030	A *	9/1973	Wakabayashi	368/82
D250,763	S *	1/1979	Boldt et al.	D14/171
D348,842	S *	7/1994	Olivadoti	D10/15
6,722,917	B2 *	4/2004	Huang	439/501
D489,995	S *	5/2004	Wu	D10/15
D530,717	S *	10/2006	Mori et al.	D14/434
D549,707	S *	8/2007	Depay	D14/434
D551,092	S *	9/2007	Sakamoto	D10/1
D559,848	S *	1/2008	Siu	D14/433
D559,849	S *	1/2008	Siu	D14/433

D564,365	S *	3/2008	Chang	D10/2
2005/0282417	A1 *	12/2005	Tsao	439/131
2006/0230199	A1 *	10/2006	Yu	710/62
2007/0174532	A1 *	7/2007	Chen	710/313

* cited by examiner

Primary Examiner—Lucy Lieberman

(74) *Attorney, Agent, or Firm*—Edgar W. Averill, Jr.; Kenneth L. Green

(57) **CLAIM**

The ornamental design for a combined desk clock and USB hub, as shown and described.

DESCRIPTION

FIG. 1 is a perspective view showing the front, top and left side of the desk clock/USB hub showing my new design.

FIG. 2 is a front view thereof.

FIG. 3 is a top view thereof.

FIG. 4 is a right side view thereof.

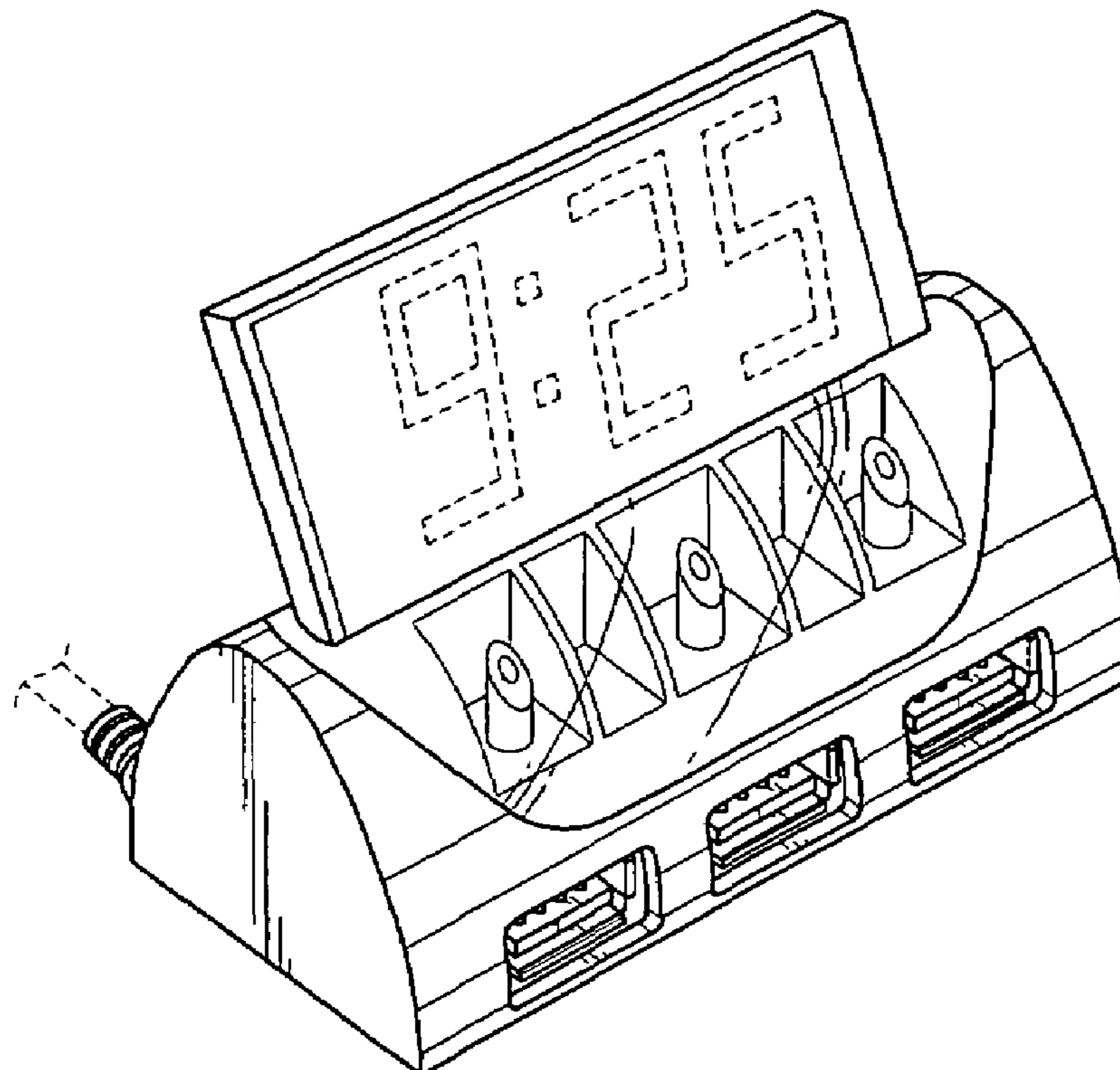
FIG. 5 is a left side view thereof.

FIG. 6 is a back view thereof; and,

FIG. 7 is a bottom top view thereof.

The broken lines in the drawings are for illustrative purposes only and form no part of the claimed design.

1 Claim, 2 Drawing Sheets



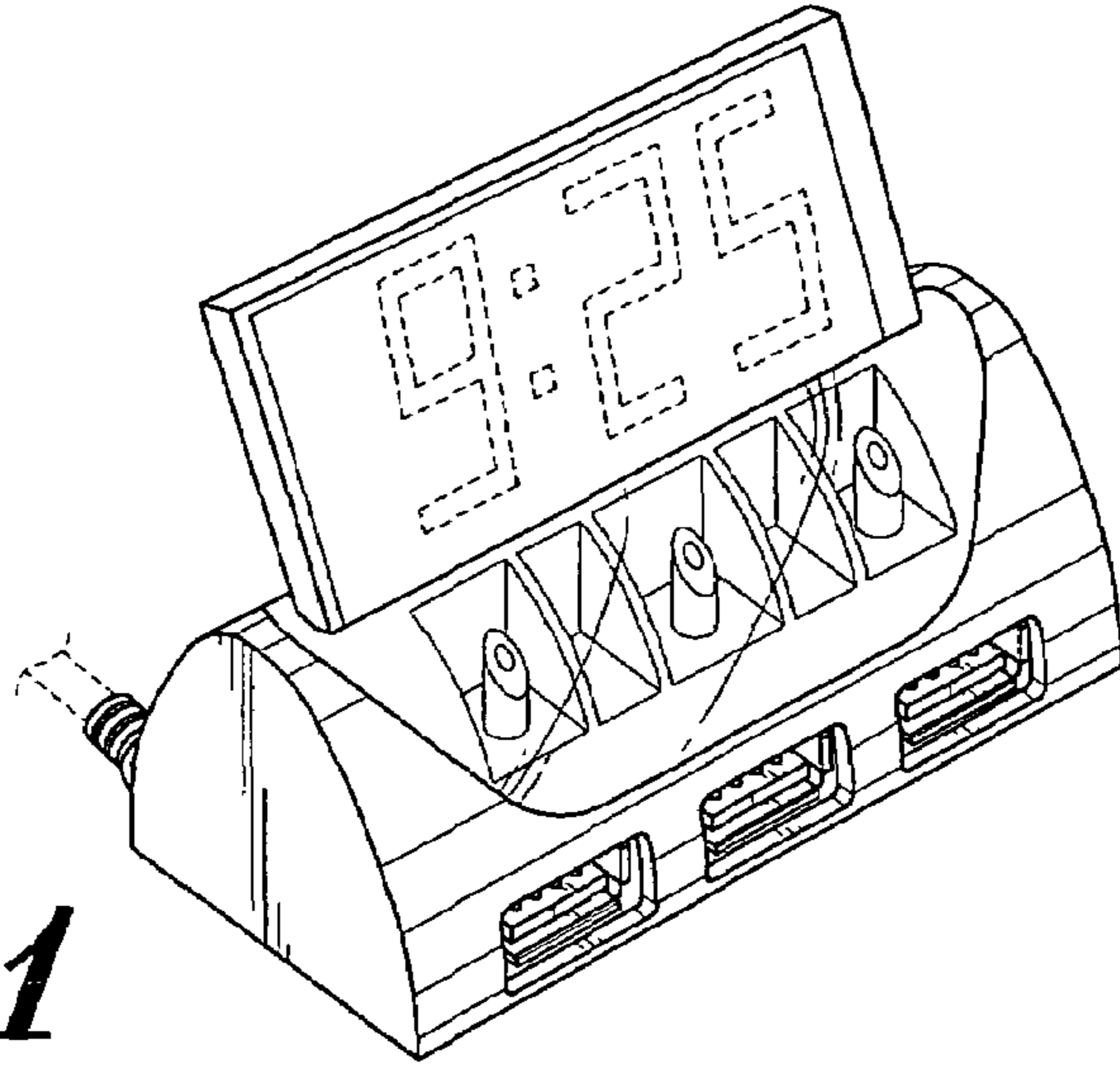


FIG. 1

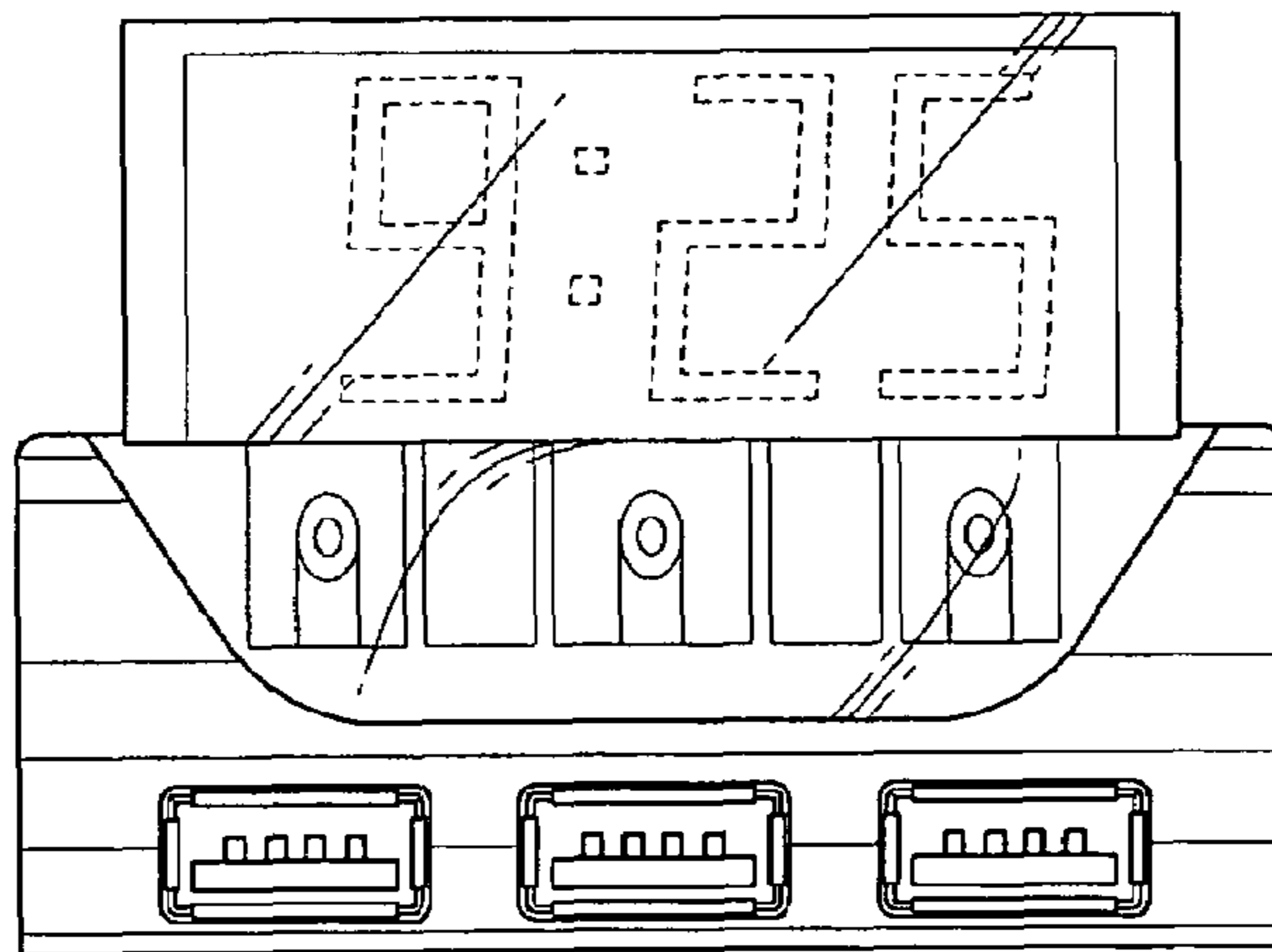


FIG. 2

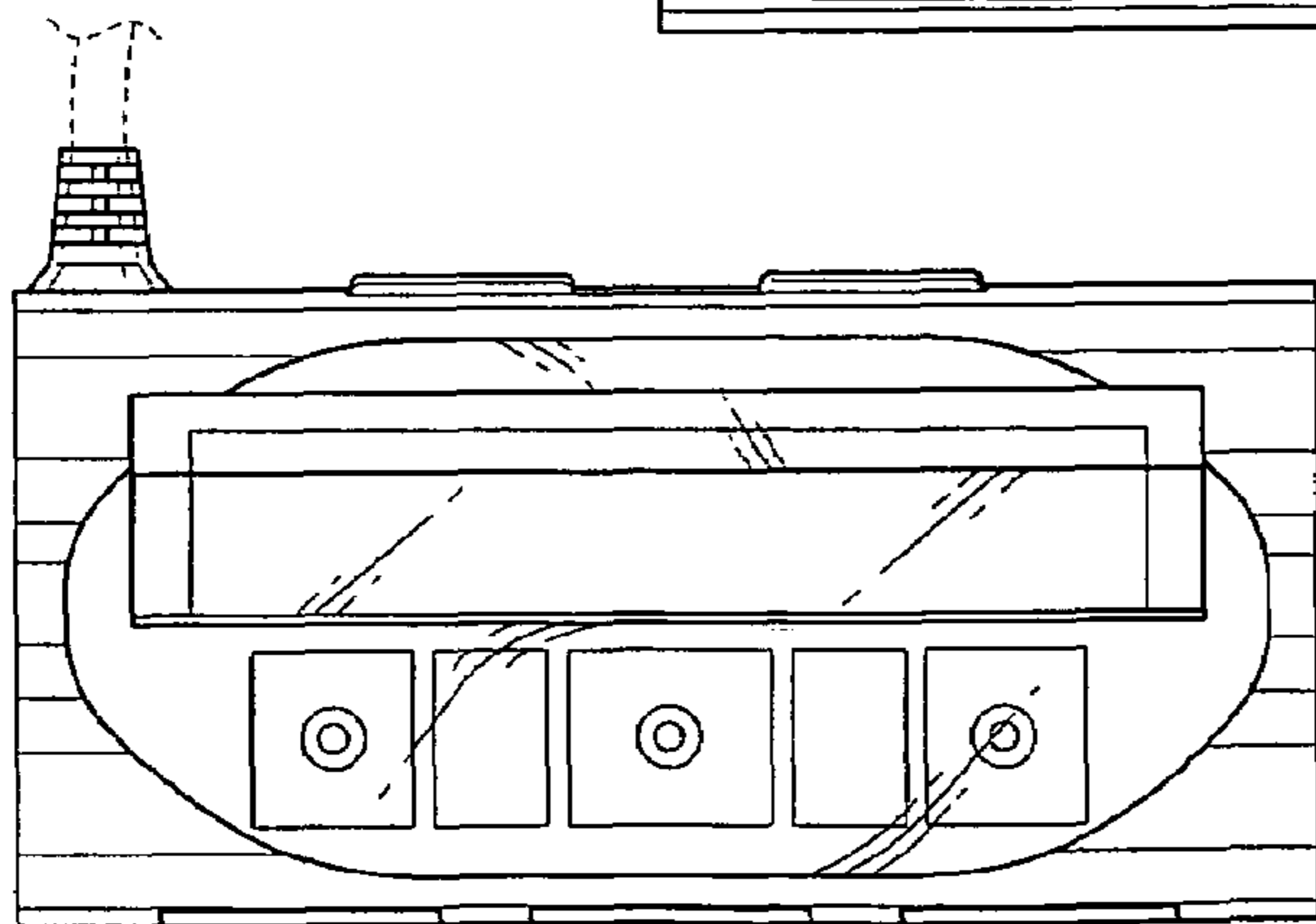


FIG. 3

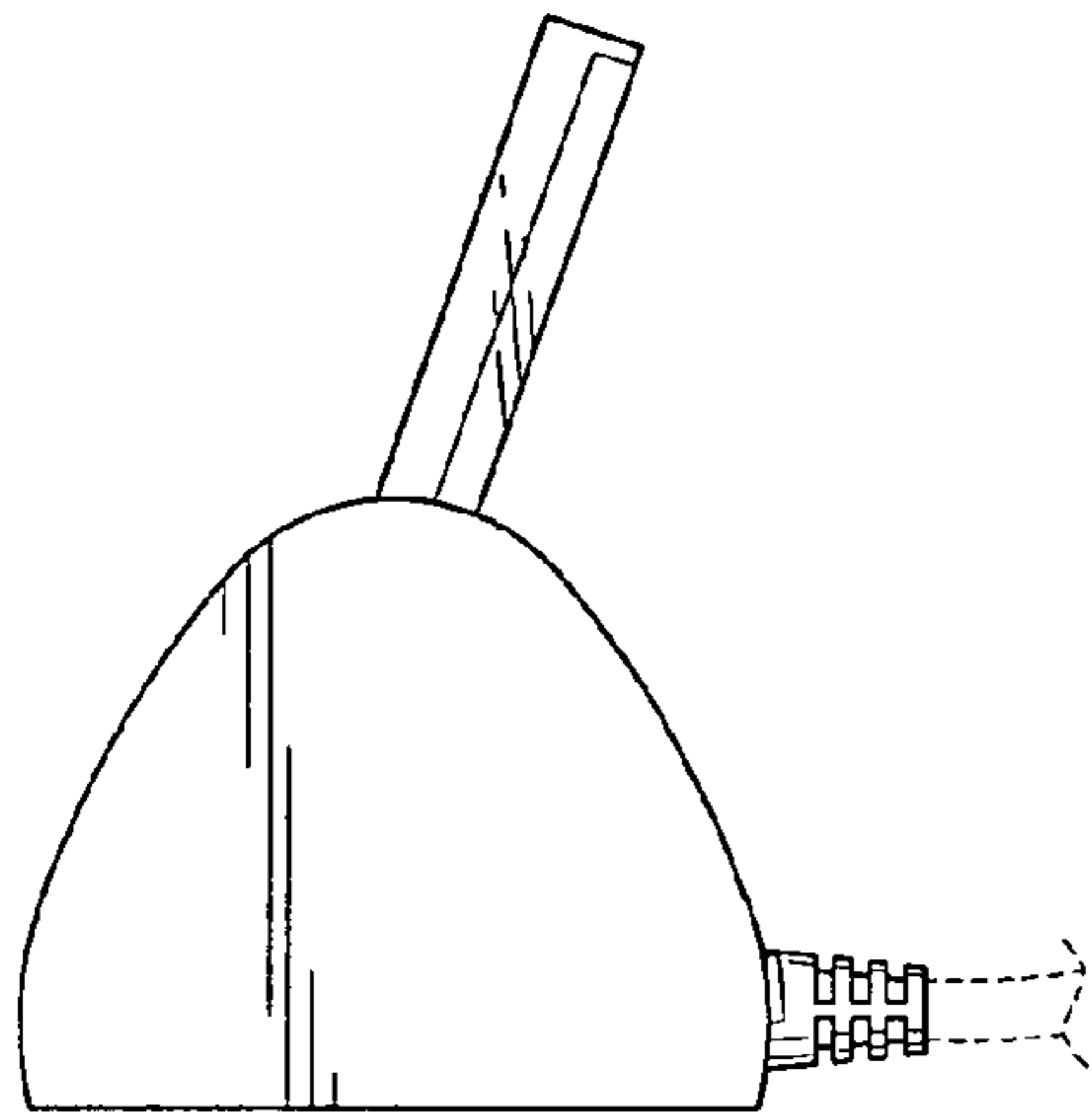


FIG. 4

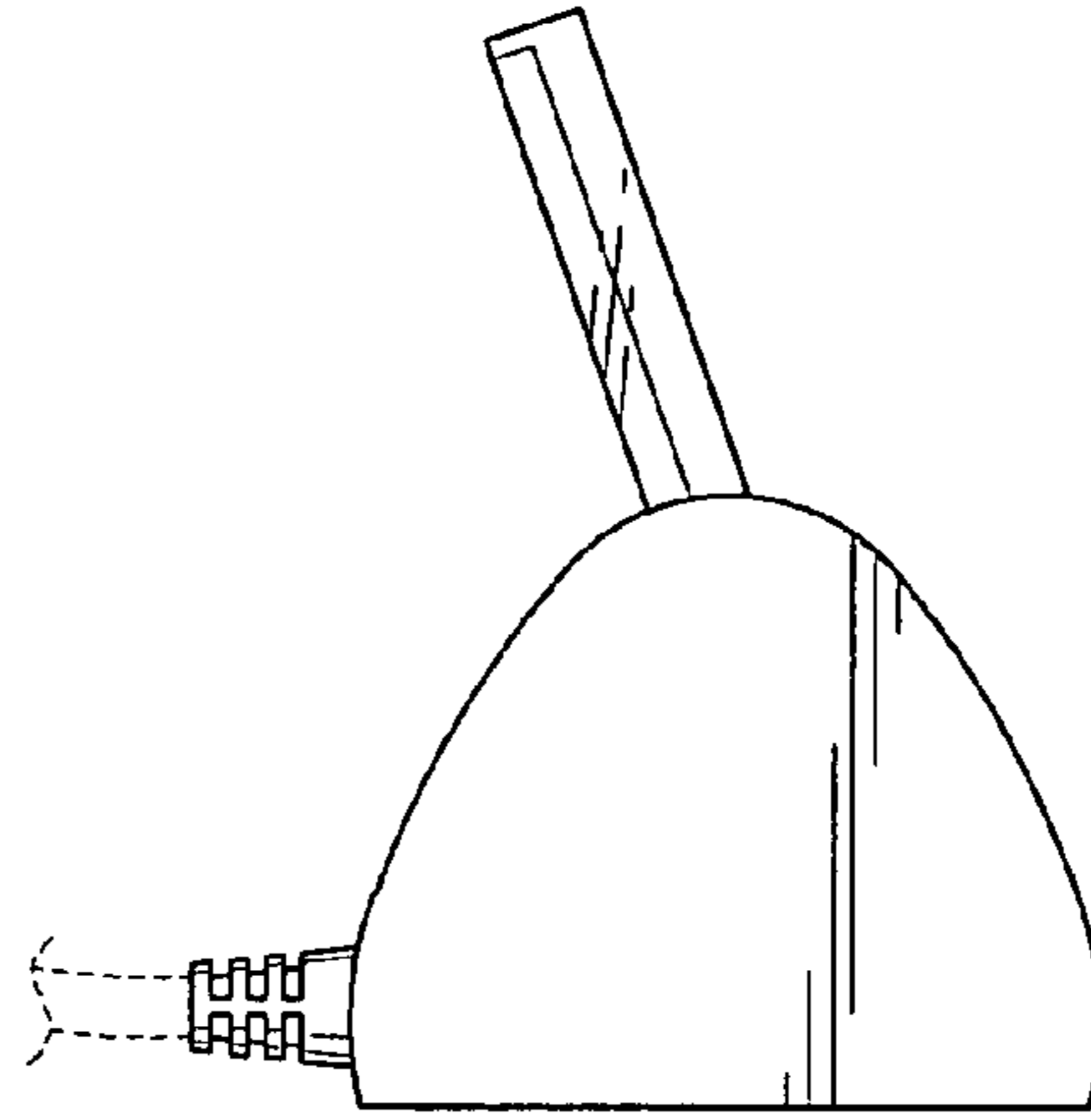


FIG. 5

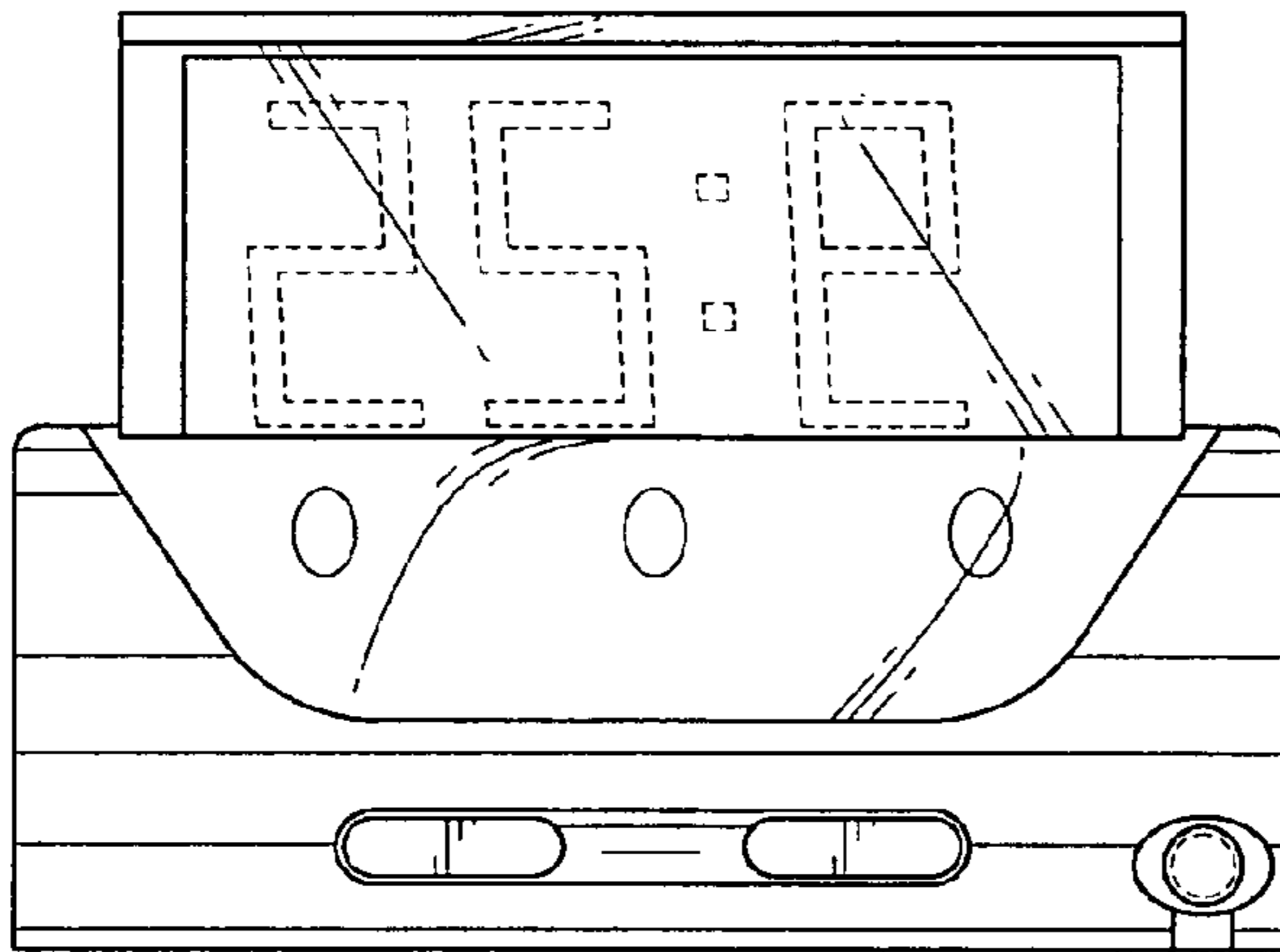


FIG. 6

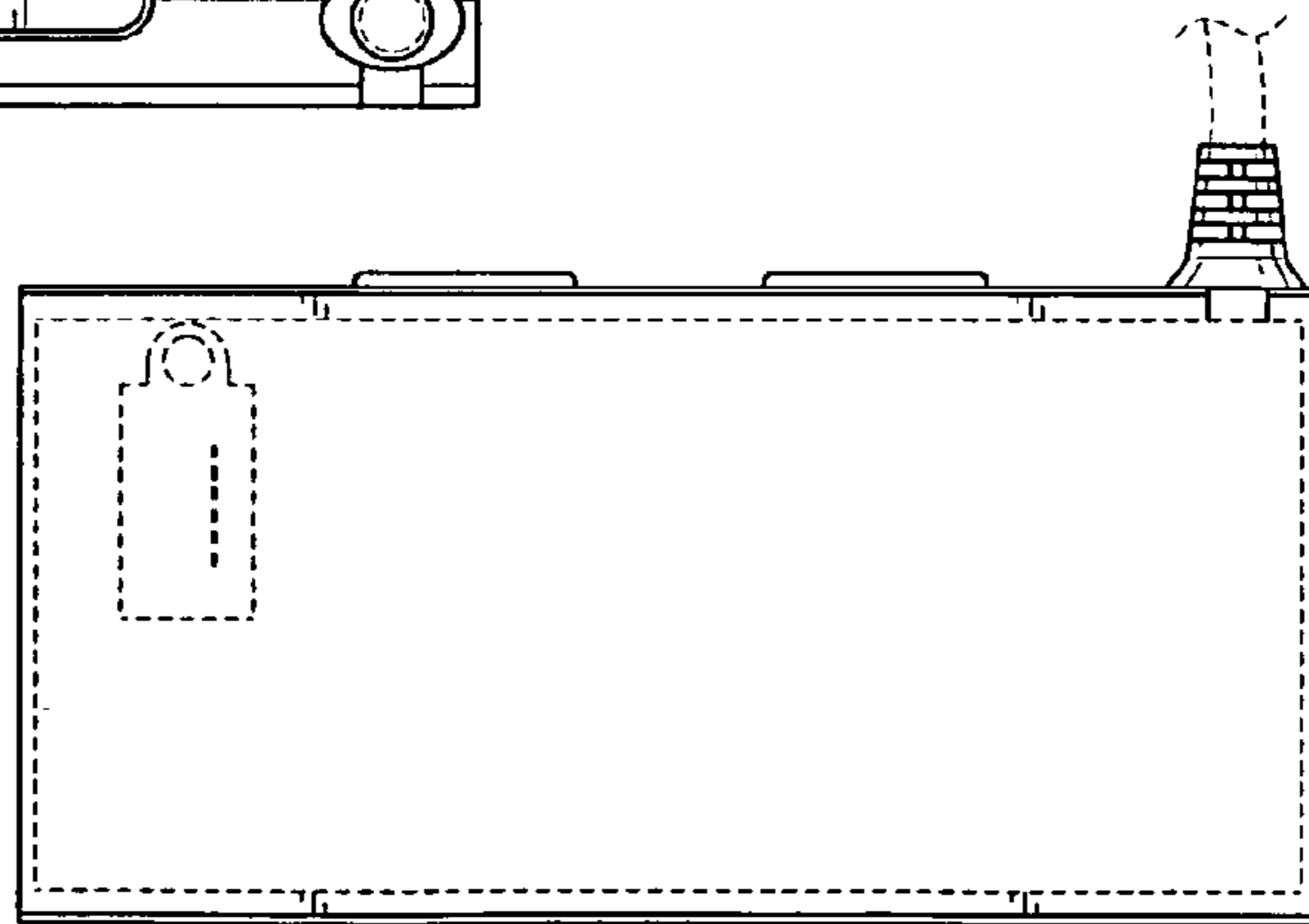


FIG. 7