



US00D585305S

(12) **United States Design Patent**
Alvares et al.

(10) **Patent No.:** **US D585,305 S**
(45) **Date of Patent:** **** Jan. 27, 2009**

- (54) **CAN**
- (75) Inventors: **Antonio Carlos Teixeira Alvares**, Sao Paulo-SP (BR); **Antonio Roberto Sene**, Sao Paulo-SP (BR)
- (73) Assignee: **Brasilata S/A Embalagens Metalicas**, Sao Paulo-SP (BR)
- (**) Term: **14 Years**
- (21) Appl. No.: **29/304,968**
- (22) Filed: **Mar. 11, 2008**

- (30) **Foreign Application Priority Data**
Sep. 11, 2007 (BR) DI 6704253
- (51) **LOC (9) Cl.** **09-02**
- (52) **U.S. Cl.** **D9/780**
- (58) **Field of Classification Search** D9/500,
D9/501, 502, 633, 763, 772, 773, 776, 777,
D9/778, 779, 780; D34/39; 215/40-46,
215/200, 329, 331, 335; 220/689, 906; 222/153.07
See application file for complete search history.

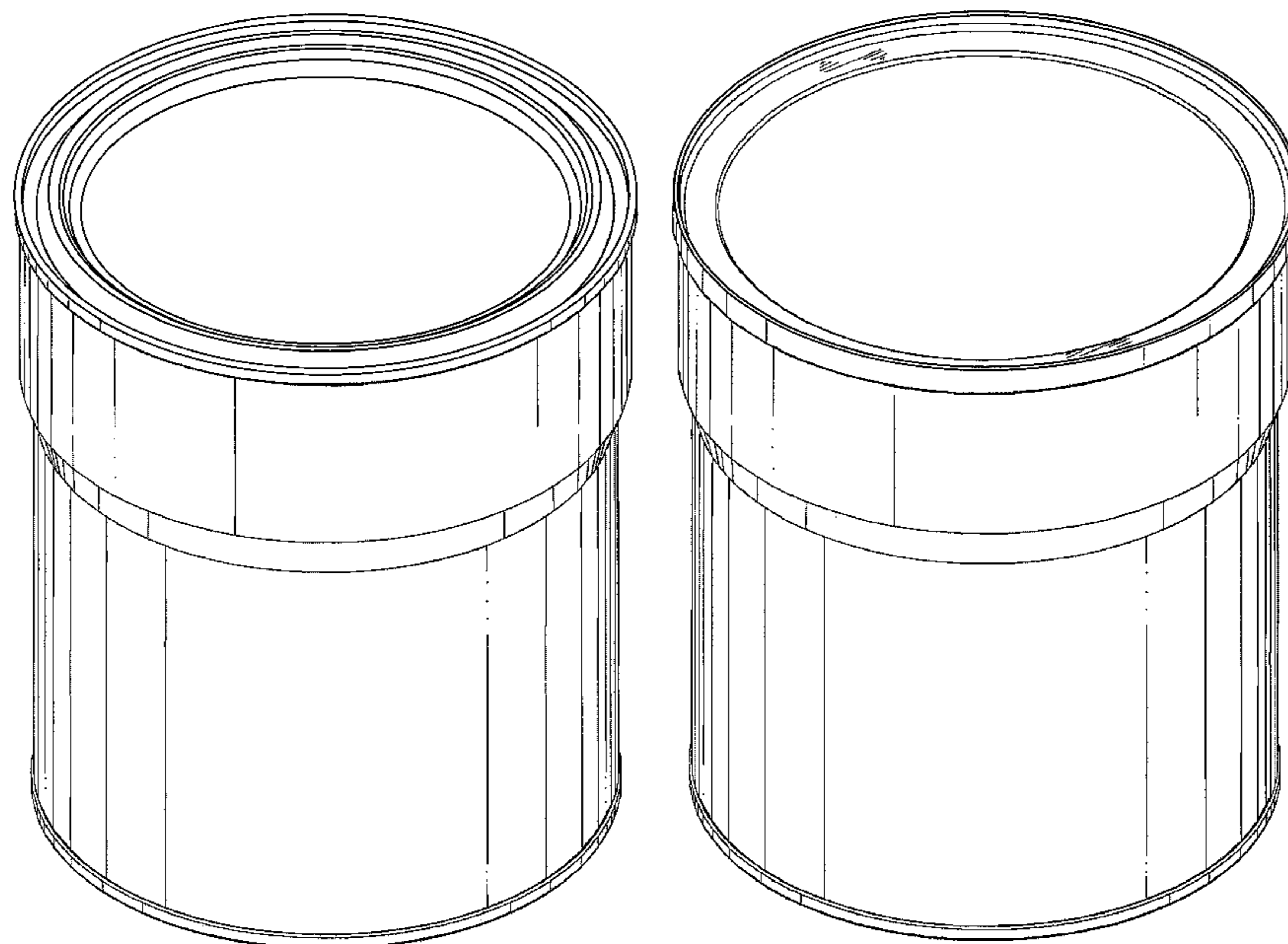
- (56) **References Cited**
U.S. PATENT DOCUMENTS
D265,548 S * 7/1982 Brundige et al. D9/780
D296,421 S * 6/1988 Rayner D9/779
D296,422 S * 6/1988 Rayner D9/780
D296,423 S * 6/1988 Rayner D9/779
D296,987 S * 8/1988 Rayner D9/780
D310,628 S * 9/1990 Rayner D9/780
D312,572 S * 12/1990 Rayner D9/780
D317,120 S * 5/1991 Schwartzburg D9/778
D336,039 S * 6/1993 Tanaka et al. D9/780
D346,328 S * 4/1994 Labrie D9/778

D355,366 S * 2/1995 Bainton D9/780
D381,582 S * 7/1997 Bolton D9/780
* cited by examiner
Primary Examiner—Stella M Reid
Assistant Examiner—Shanda C Hill
(74) *Attorney, Agent, or Firm*—Darby & Darby

(57) **CLAIM**
The ornamental design for a can, as shown and described.

DESCRIPTION
FIG. 1 is a perspective view of a first embodiment of a can showing our new design;
FIG. 2 is a side elevational view thereof;
FIG. 3 is a top elevational view thereof;
FIG. 4 is a bottom elevational view thereof;
FIG. 5 is a perspective view of a second embodiment of the can;
FIG. 6 is a side elevational view thereof;
FIG. 7 is a top elevational view thereof;
FIG. 8 is a bottom elevational view thereof;
FIG. 9 is a perspective view of a third embodiment of the can;
FIG. 10 is a side elevational view thereof;
FIG. 11 is a top elevational view thereof;
FIG. 12 is a bottom elevational view thereof;
FIG. 13 is a perspective view of a fourth embodiment of the can;
FIG. 14 is a side elevational view thereof;
FIG. 15 is a top elevational view thereof; and,
FIG. 16 is a bottom elevational view thereof.

1 Claim, 16 Drawing Sheets



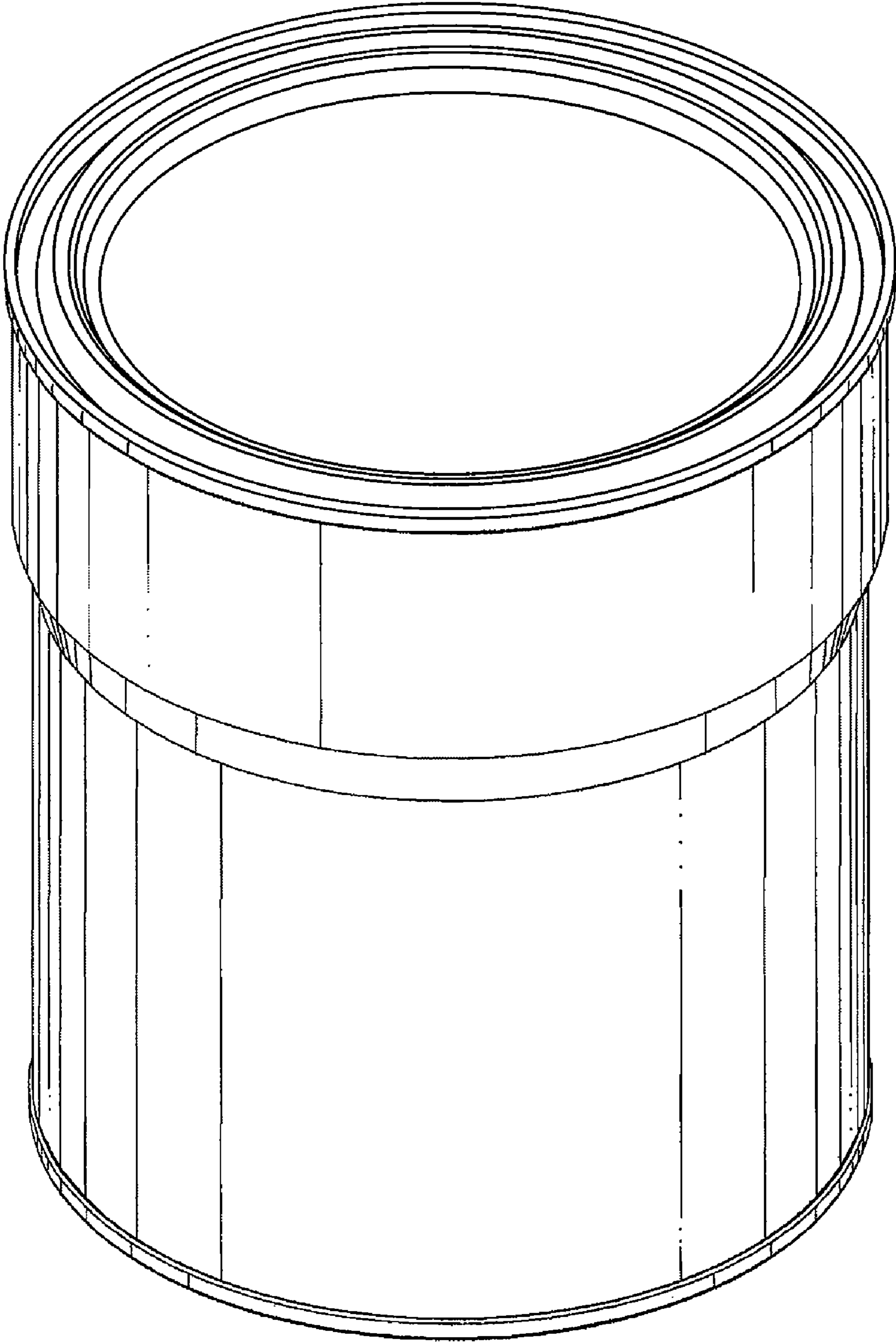


FIG. 1

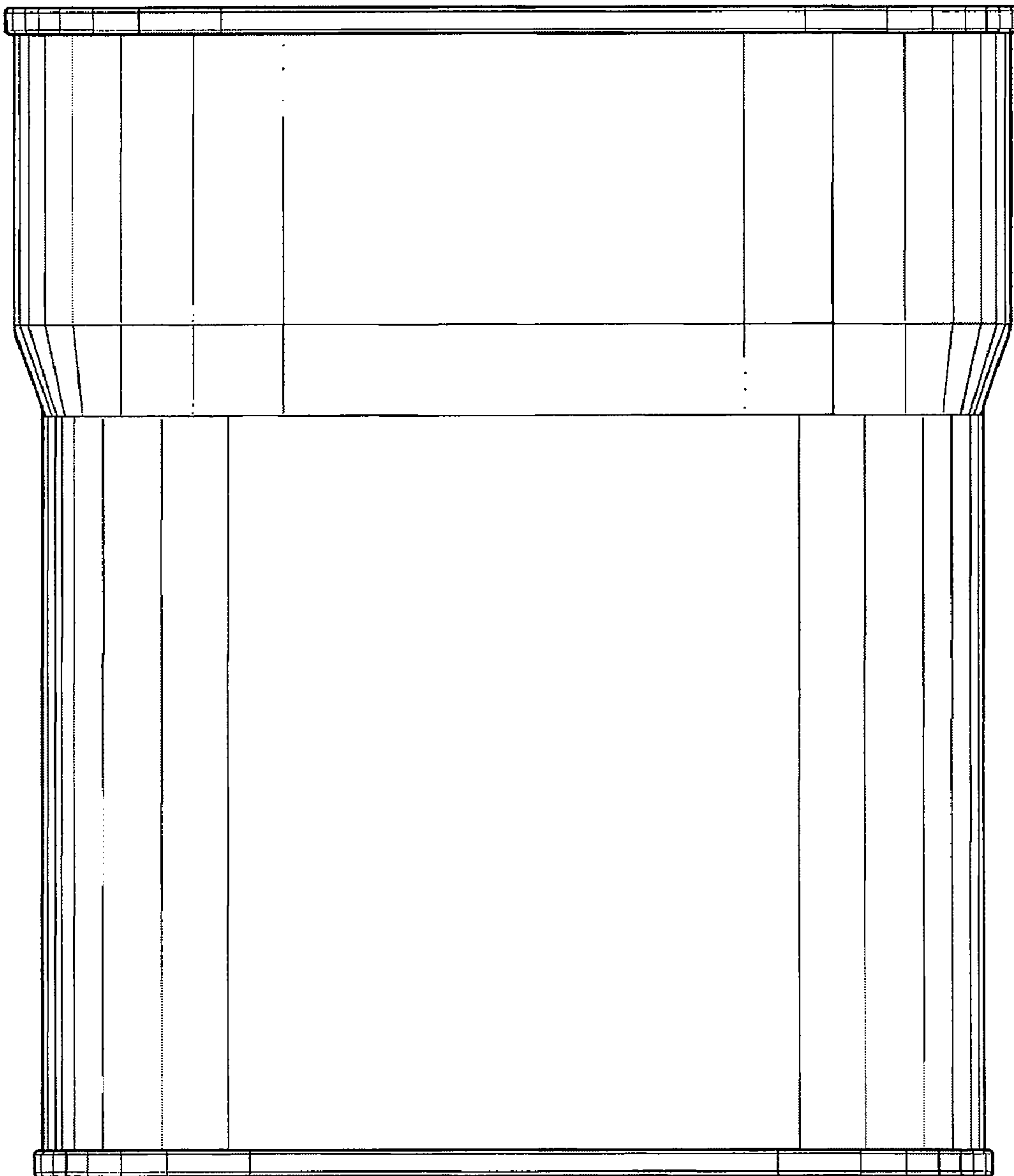


FIG. 2

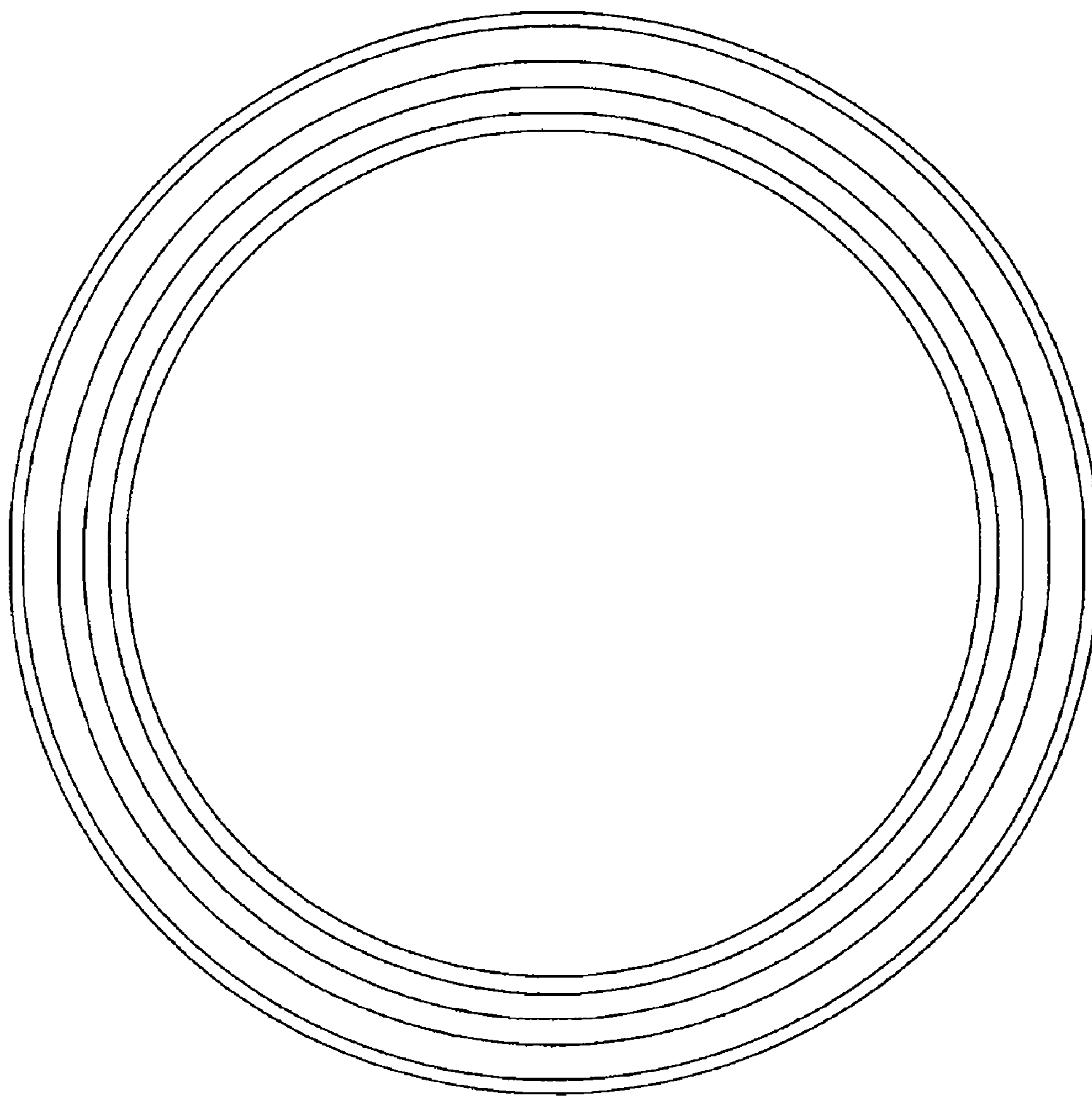


FIG. 3

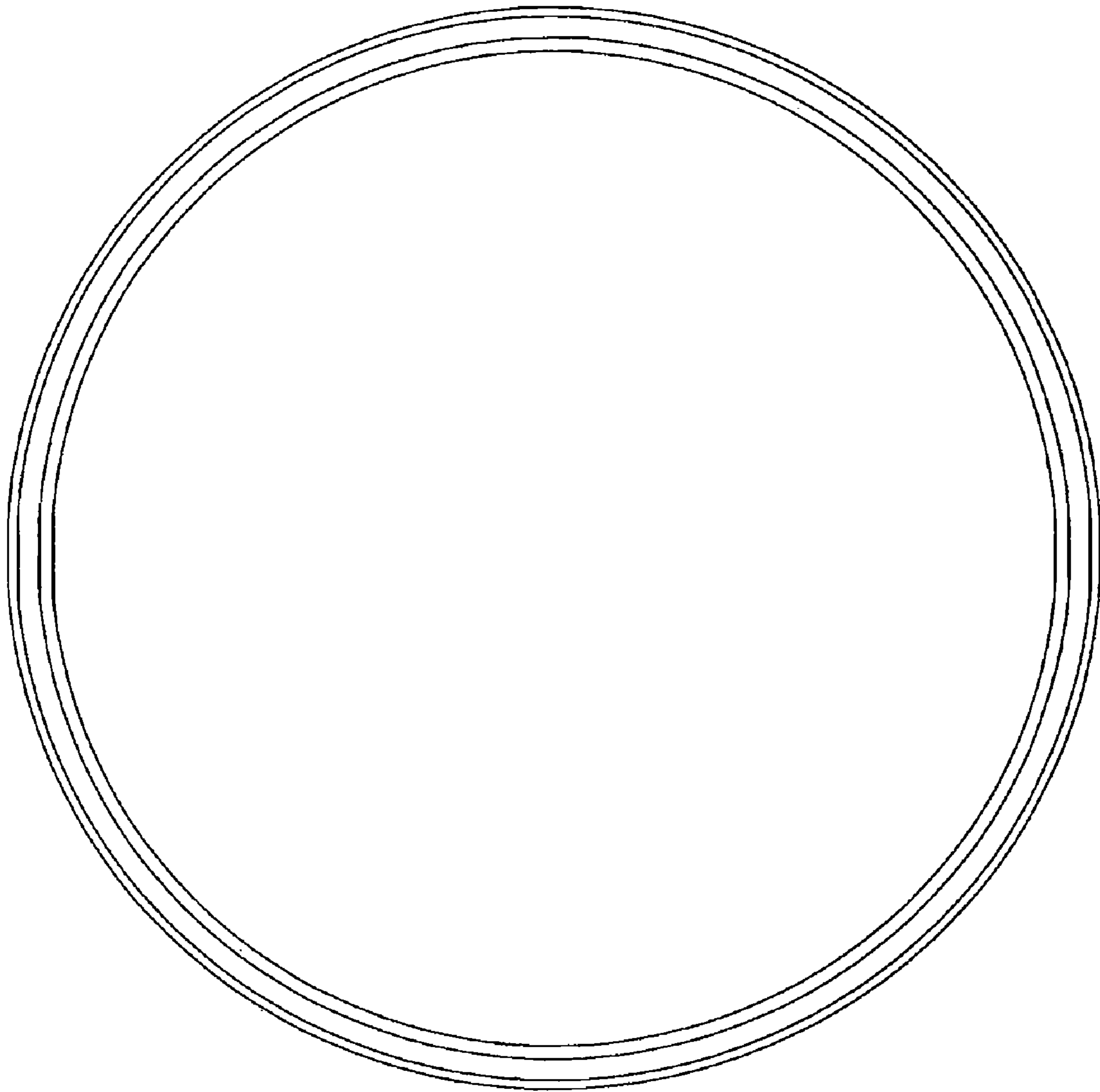


FIG. 4

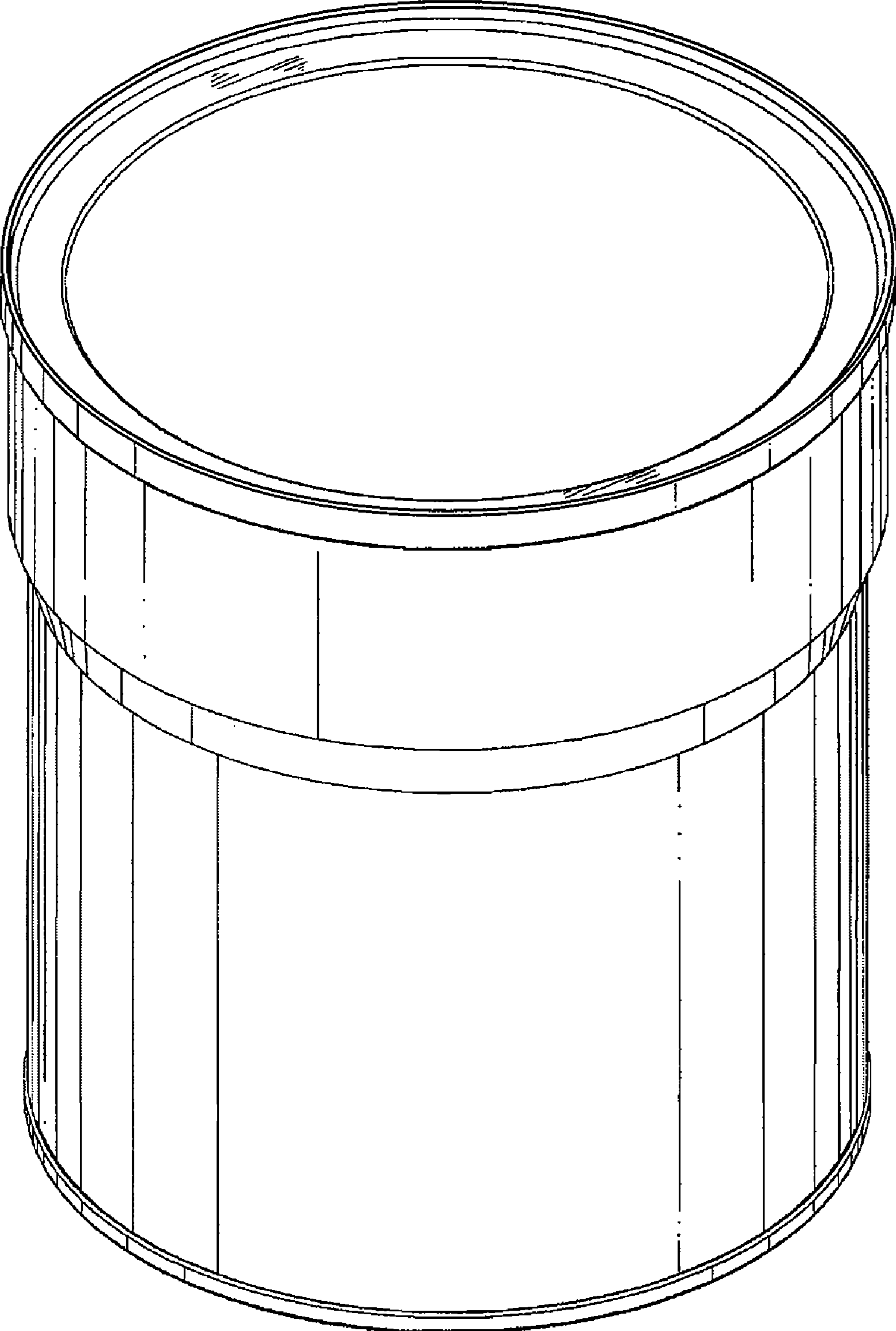


FIG. 5

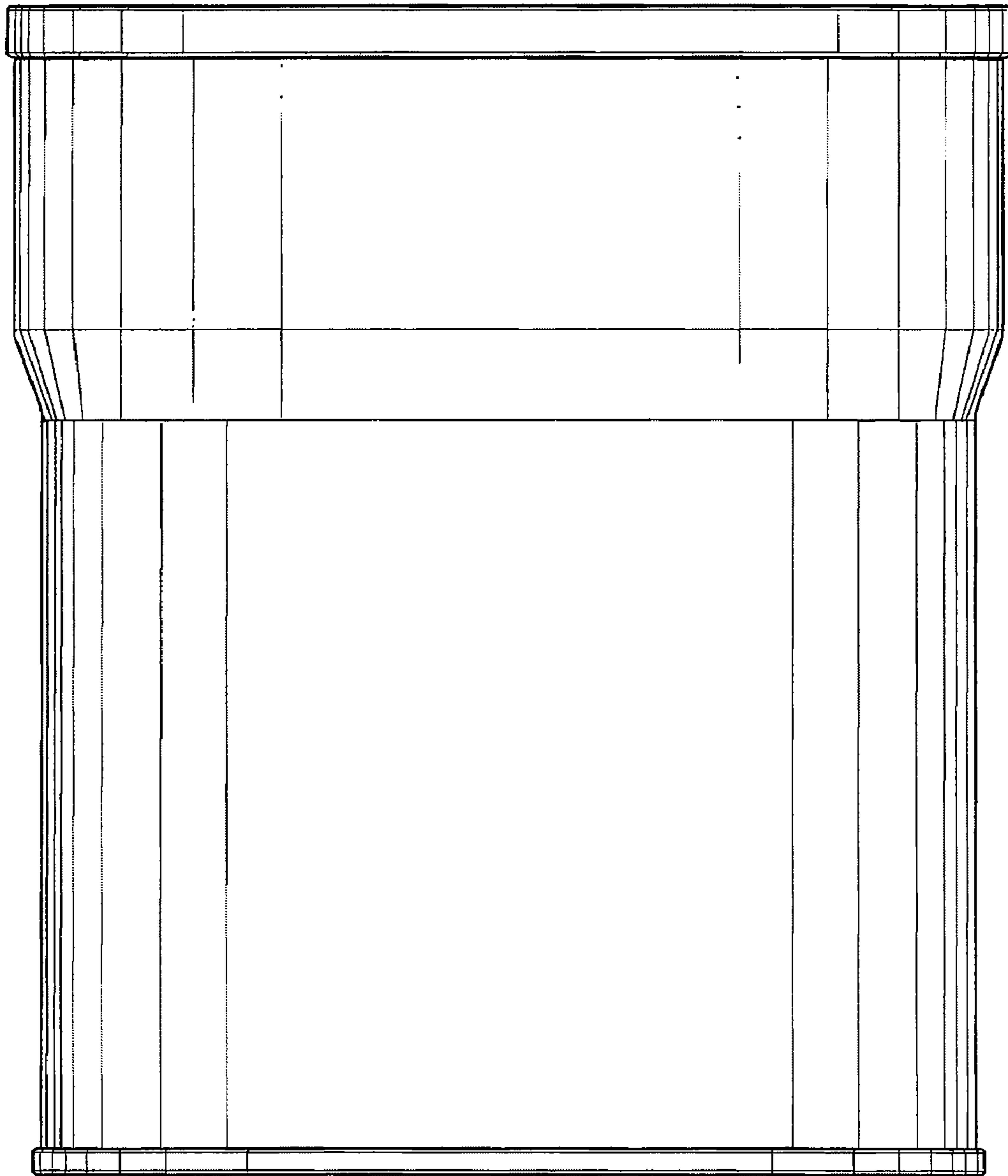


FIG. 6

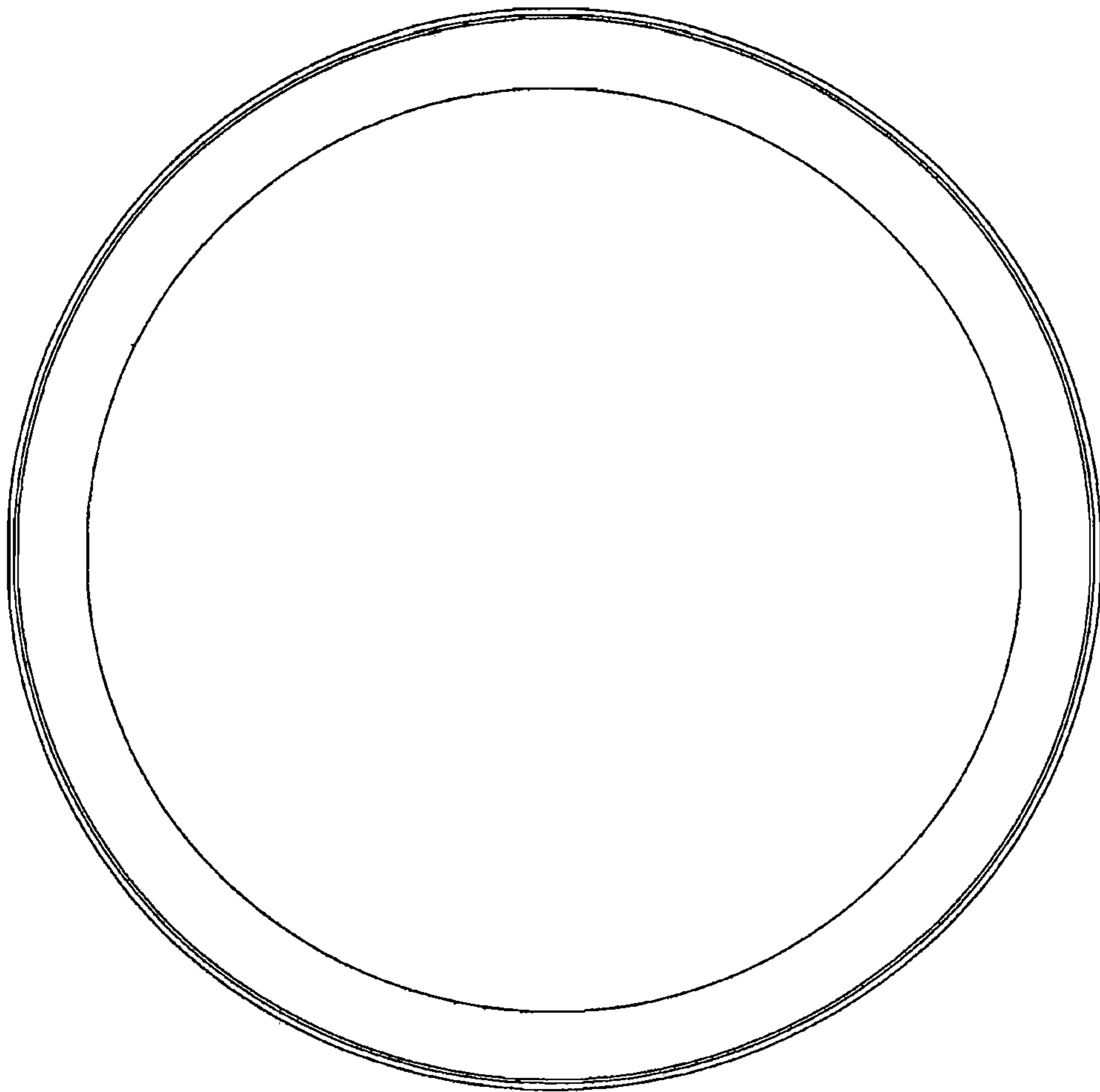


FIG. 7

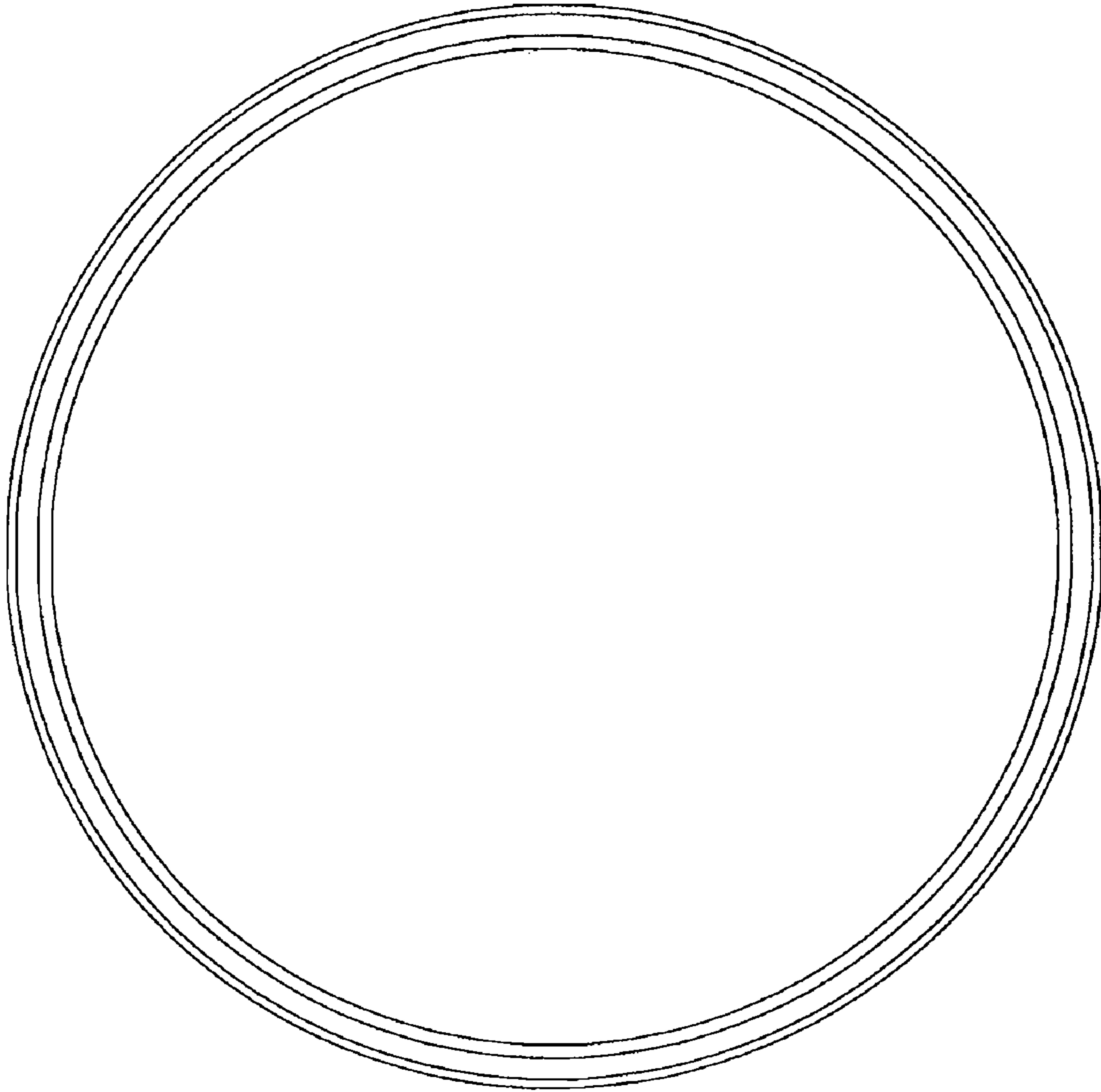


FIG. 8

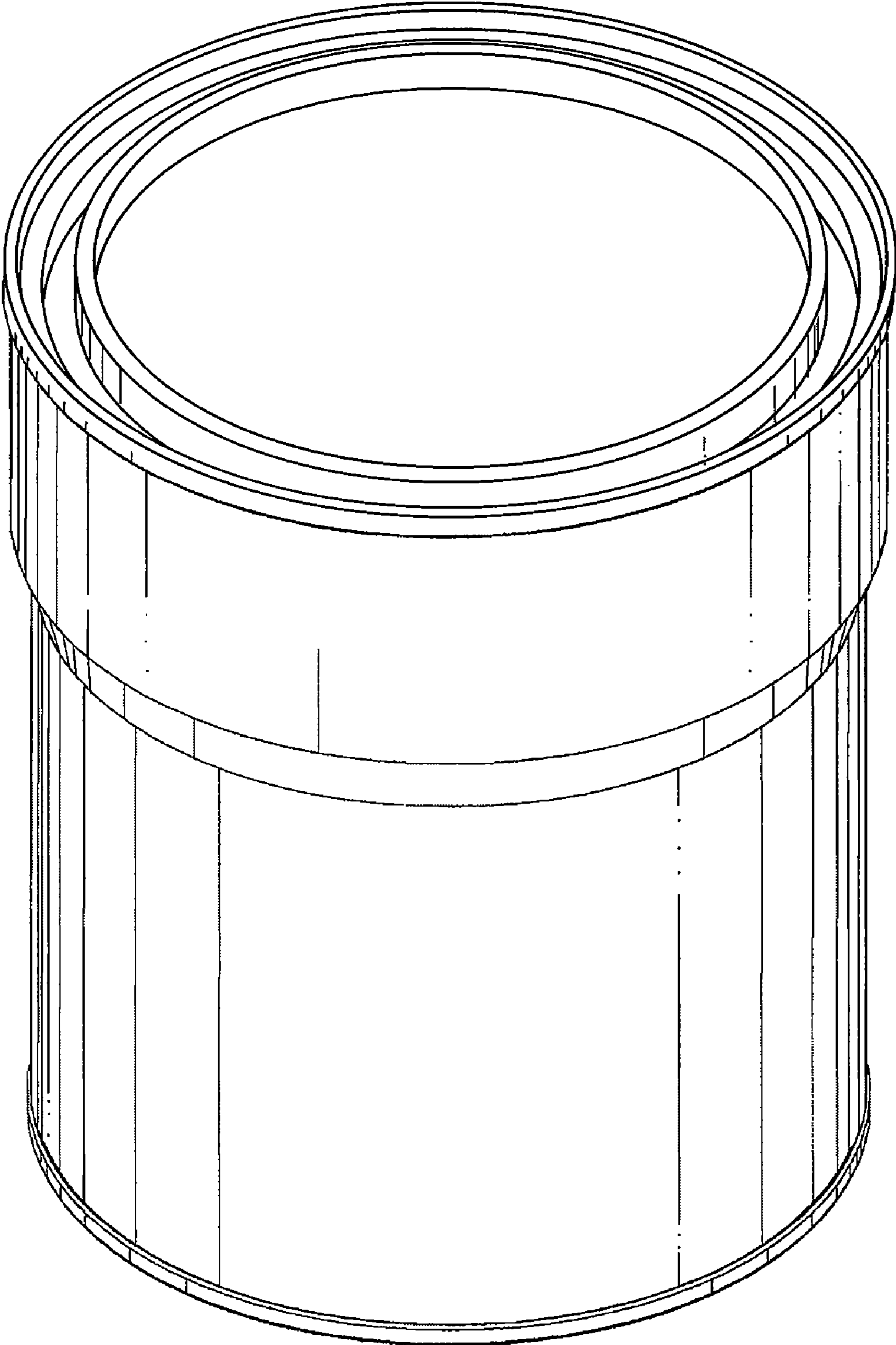


FIG. 9

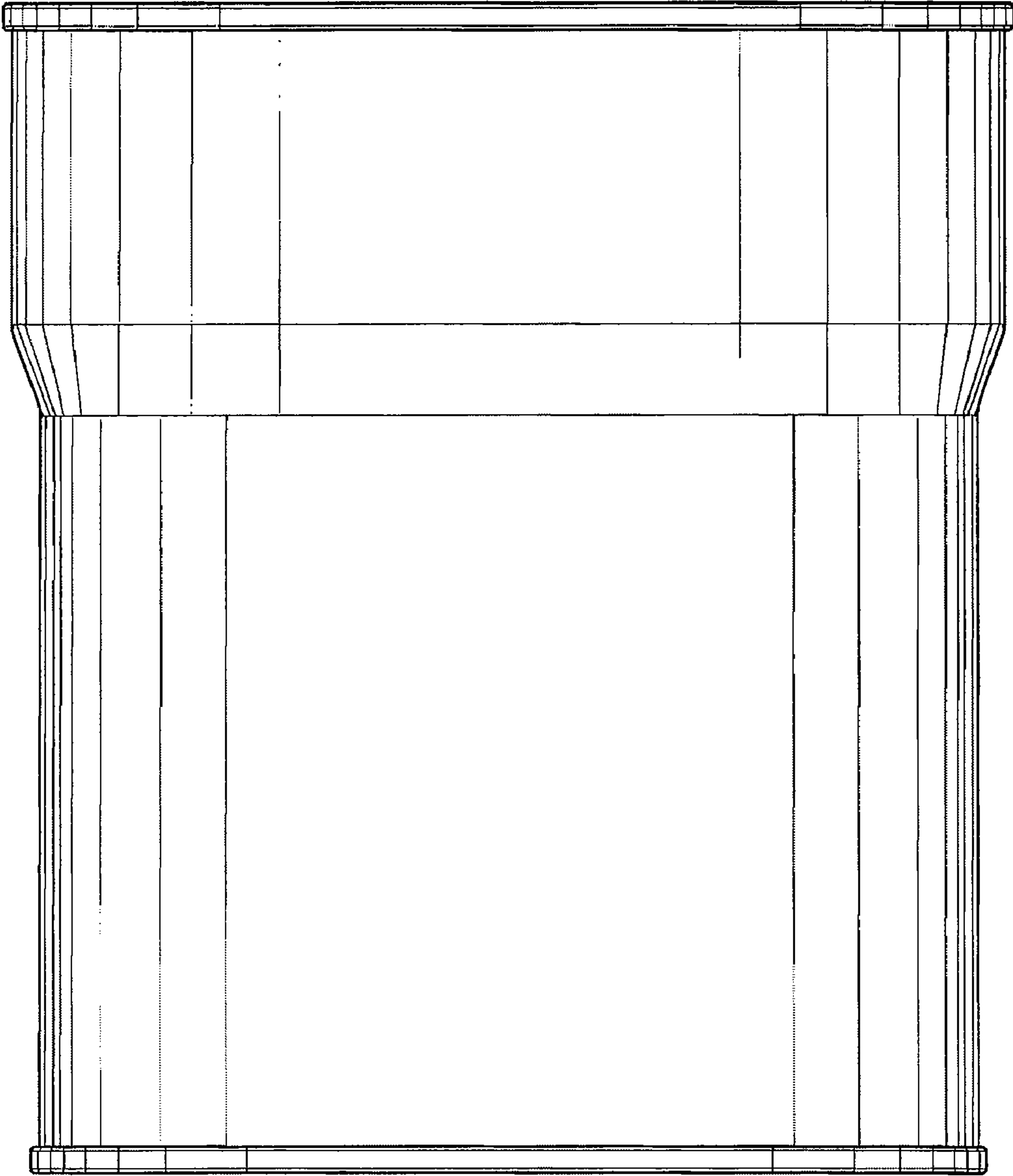


FIG. 10

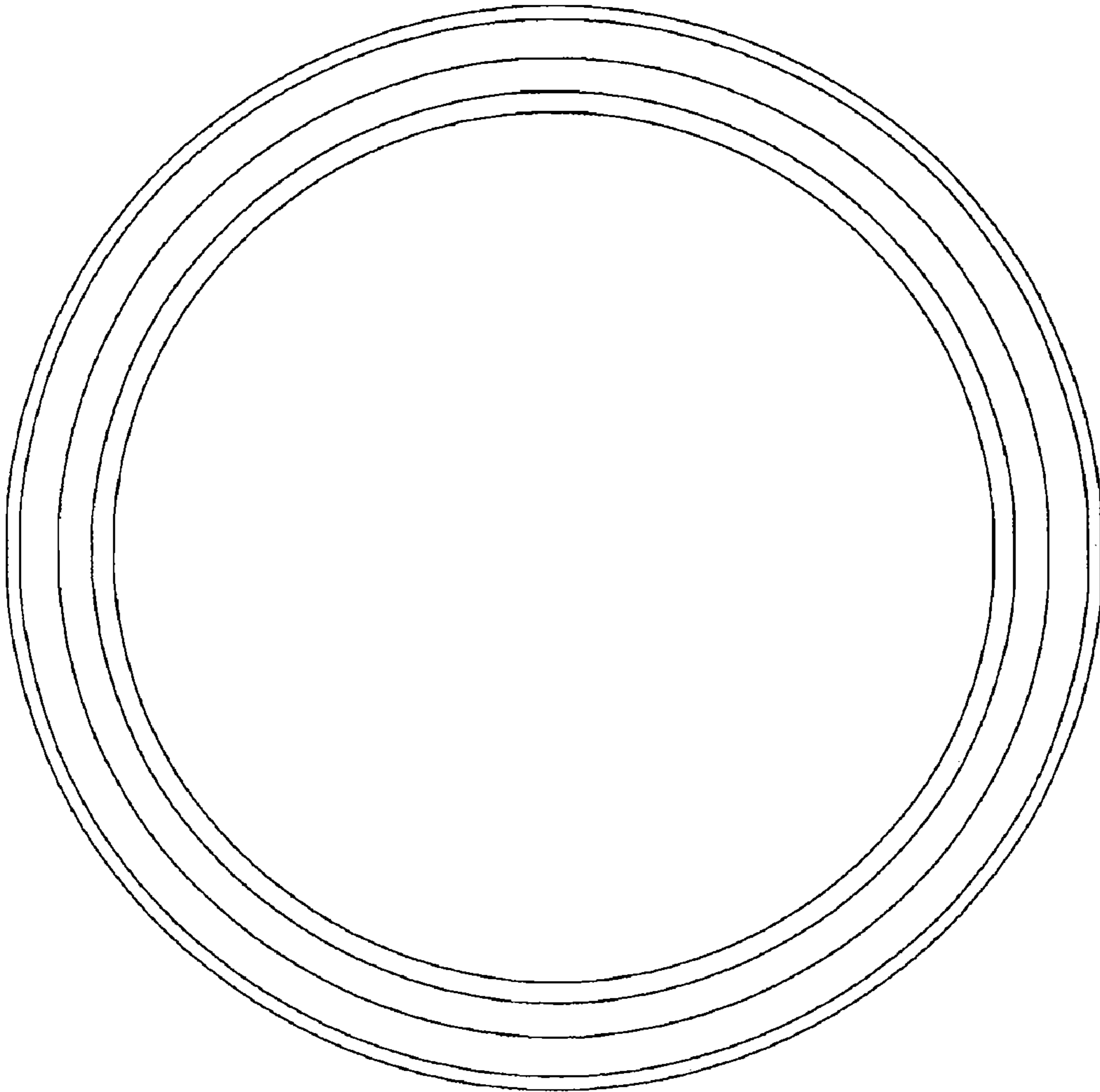


FIG. 11

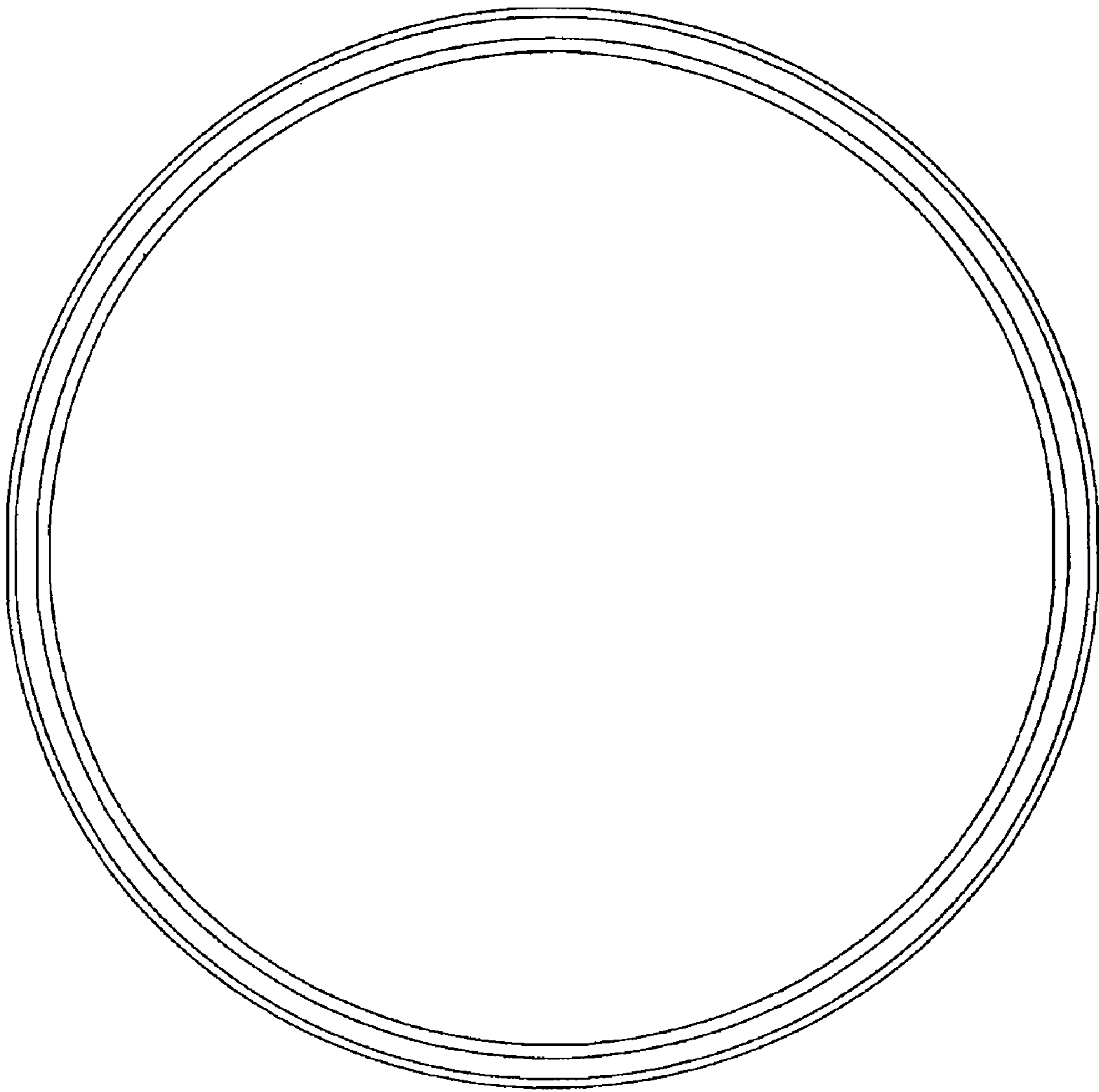


FIG. 12

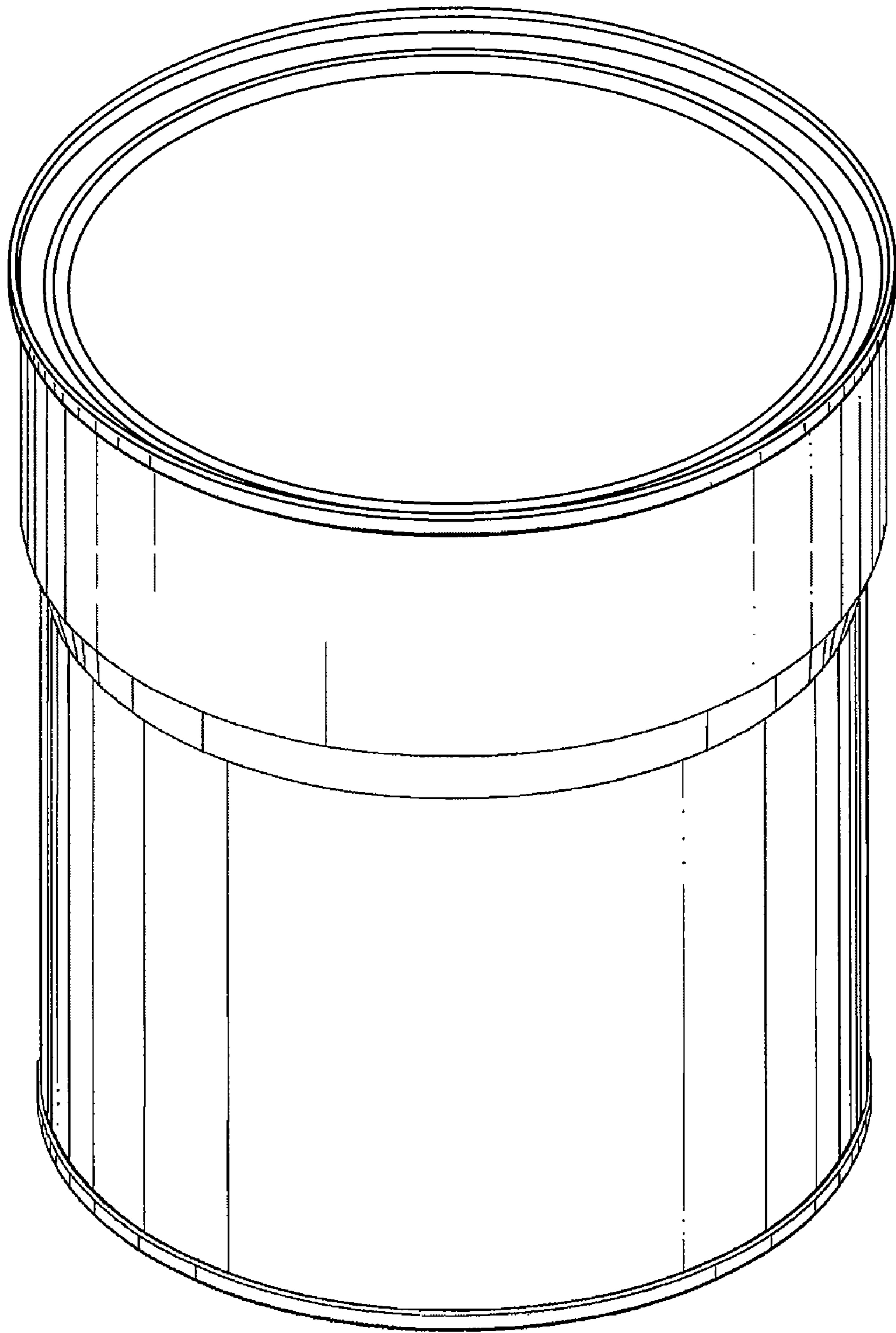


FIG. 13

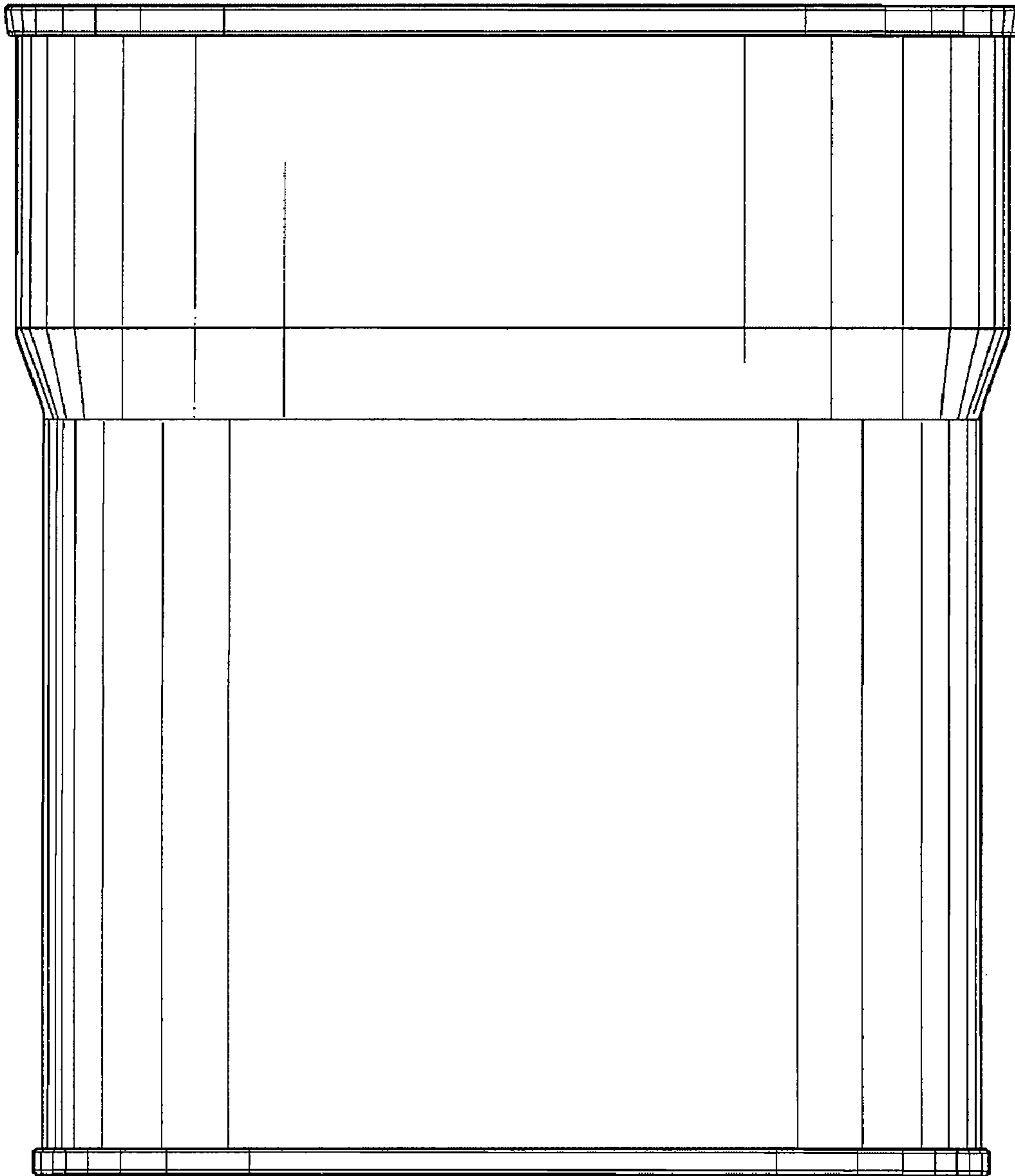


FIG. 14

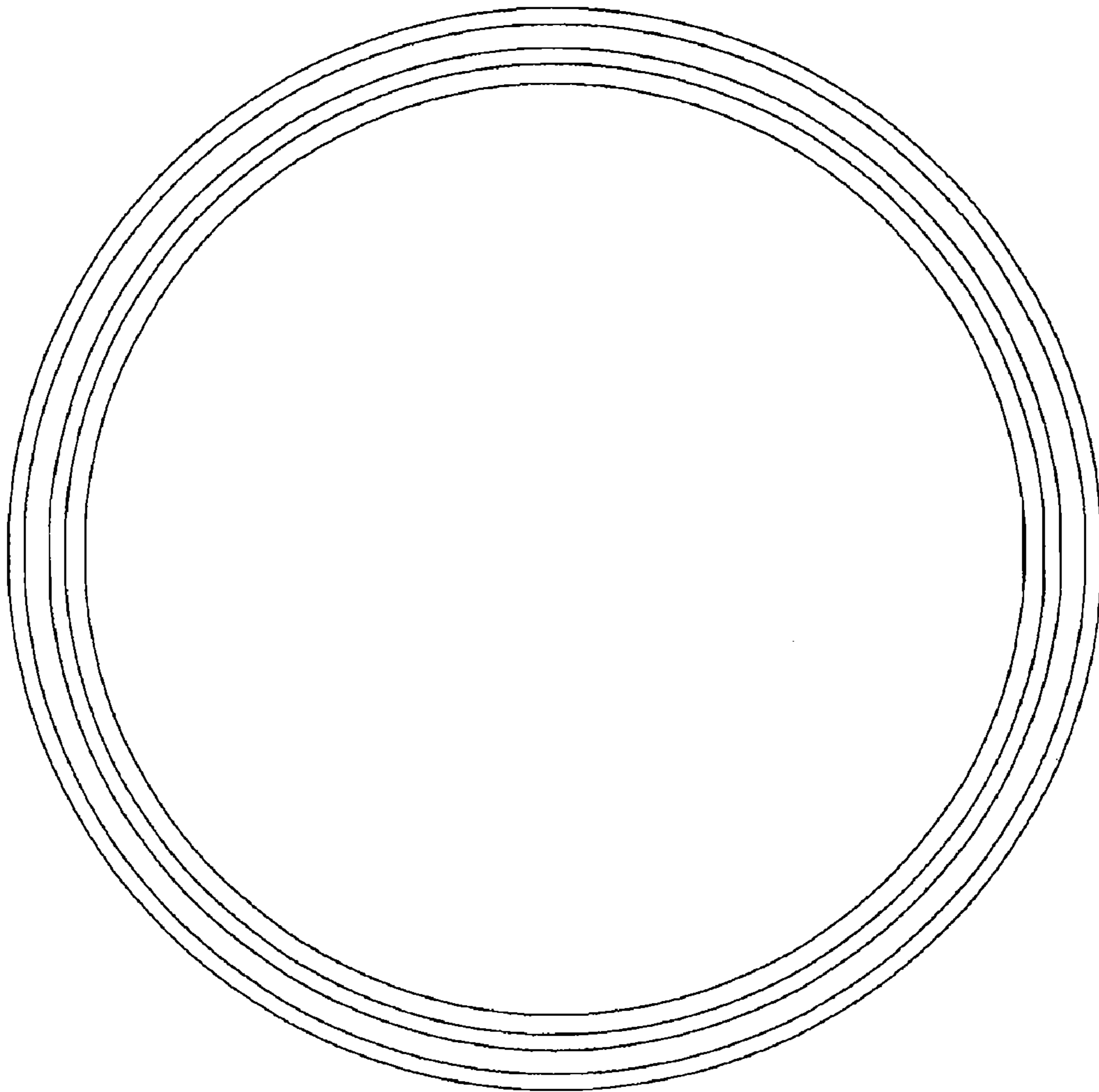


FIG. 15

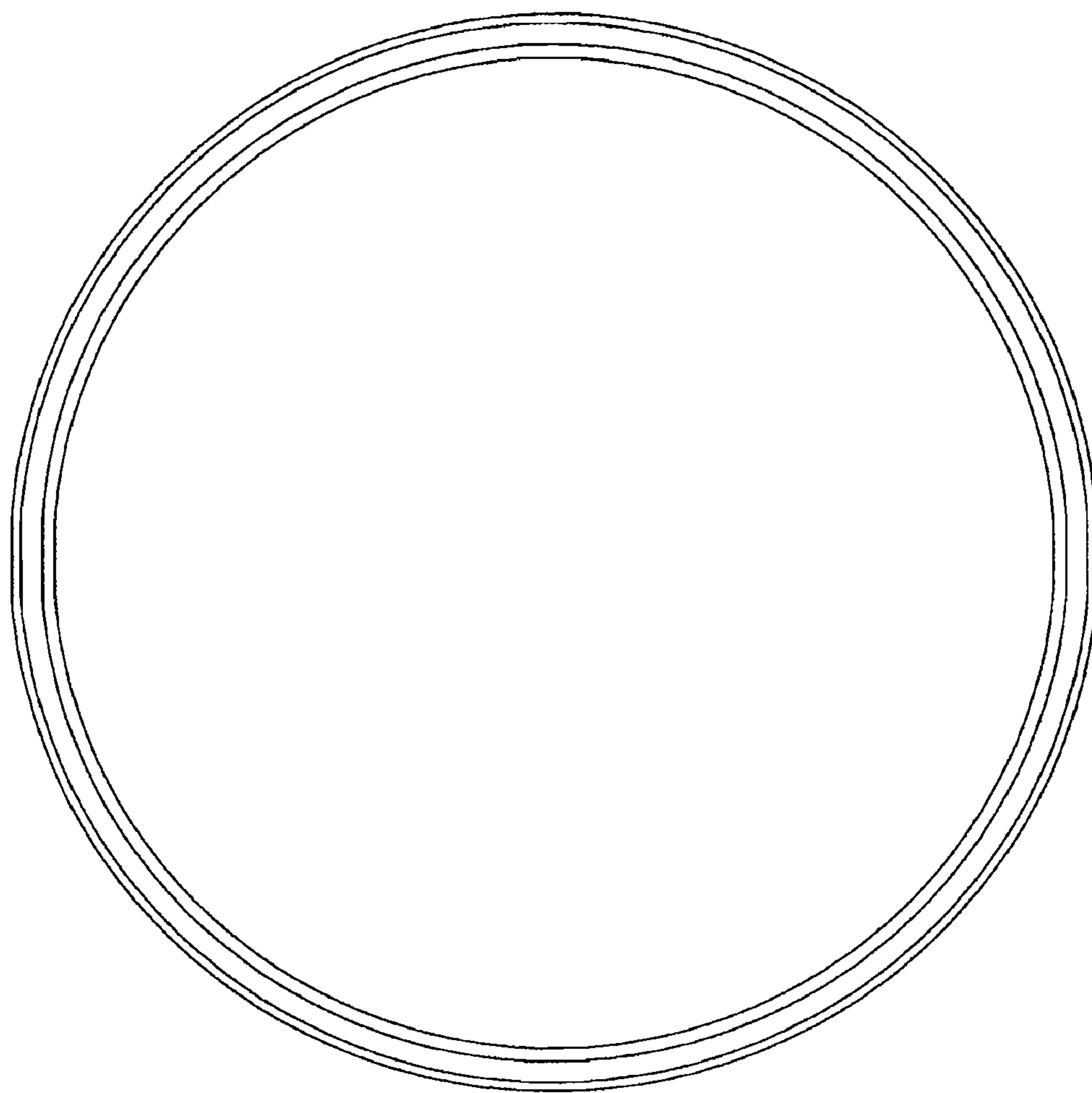


FIG. 16