



US00D585302S

(12) **United States Design Patent**  
**Beyer et al.**

(10) **Patent No.:** **US D585,302 S**  
(45) **Date of Patent:** **\*\* Jan. 27, 2009**

(54) **RECTANGLE SHAPED VACUUM POUCH**

(75) Inventors: **Daniel Beyer**, Franklin, TN (US); **Jason Friedland**, Franklin, TN (US); **Angel Hernandez**, Nashville, TN (US); **Rebecca Morgan Valentine**, Franklin, TN (US); **Peter Slusarczyk**, Nashville, TN (US); **Neil Willcocks**, Brentwood, TN (US); **Jeremy Franks**, Franklin, TN (US); **Matthew Moudy**, Nashville, TN (US)

(73) Assignee: **MARS, Incorporated**, McLean, VA (US)

(\*\*) Term: **14 Years**

(21) Appl. No.: **29/287,539**

(22) Filed: **Aug. 17, 2007**

(51) **LOC (9) Cl.** ..... **09-05**

(52) **U.S. Cl.** ..... **D9/707**

(58) **Field of Classification Search** ..... D9/703-710,  
D9/713-714, 720-722, 430-432, 414, 418,  
D9/424; 383/103, 107, 84, 100, 108; 229/200,  
229/87.06; 426/106

See application file for complete search history.

(56) **References Cited**

**U.S. PATENT DOCUMENTS**

D87,540 S	8/1932	Picker	
D113,440 S	2/1939	Salfisberg	
D115,526 S	7/1939	Salfisberg	
D134,061 S	10/1942	Salfisberg	
D137,262 S	2/1944	Hiemenz	
2,654,471 A	10/1953	Kopald et al.	
2,973,006 A	2/1961	Nelson	
D193,811 S	10/1962	Ebbet	
D201,644 S	7/1965	Cave	
3,294,224 A	12/1966	Horwitz	
3,387,766 A	6/1968	Emanuel	
3,502,487 A	3/1970	Byrd	
3,623,653 A *	11/1971	Work	229/87.05
3,650,461 A	3/1972	Hutcheson et al.	

3,768,725 A *	10/1973	Pilaro	206/439
D242,900 S *	1/1977	Seiferth et al.	D9/732
D250,880 S	1/1979	Stone et al.	
4,378,069 A	3/1983	Franco	
4,543,279 A	9/1985	Kai	
D285,412 S *	9/1986	Harwell, Jr.	D9/707

(Continued)

**OTHER PUBLICATIONS**

U.S. Appl. No. 29/287,527, Friedland, et. al.

(Continued)

*Primary Examiner*—Caron Veynar  
*Assistant Examiner*—Abraham Bahta  
(74) *Attorney, Agent, or Firm*—Arent Fox LLP

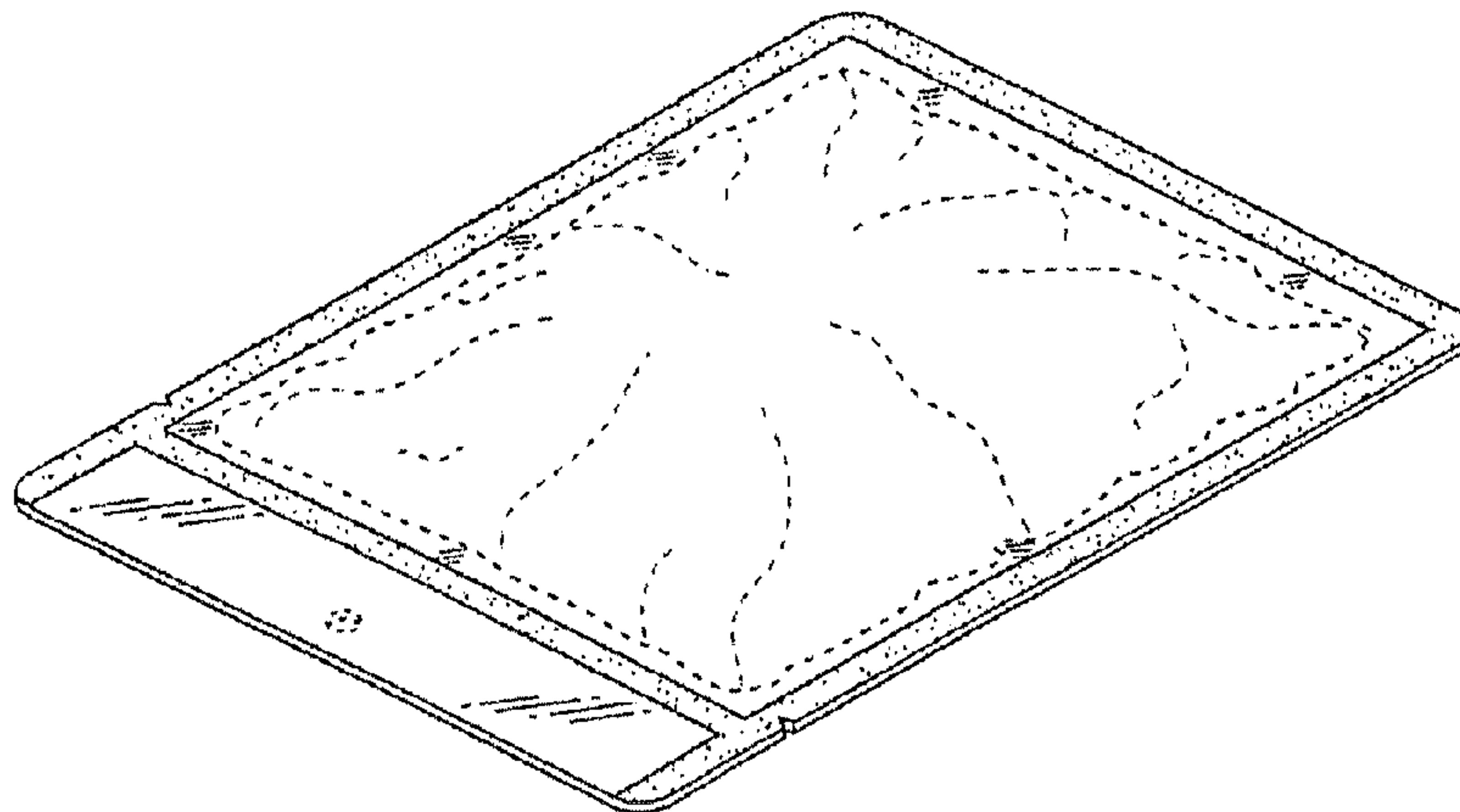
(57) **CLAIM**

The ornamental design for a rectangle shaped vacuum pouch, as shown and described.

**DESCRIPTION**

FIG. 1 is a perspective view of a rectangular shaped vacuum pouch showing our new design;  
FIG. 2 is a top view of the design shown in FIG. 1, wherein the bottom view is a mirror image thereof;  
FIG. 3 is a front view thereof;  
FIG. 4 is a rear view thereof; and,  
FIG. 5 is a right side view of the design shown in FIG. 1, wherein the left side view is a mirror image thereof.  
The broken lines shown in the drawings are for illustrative purposes only and form no part of the claimed design.

**1 Claim, 2 Drawing Sheets**



# US D585,302 S

Page 2

## U.S. PATENT DOCUMENTS

D297,306 S 8/1988 King  
4,784,864 A 11/1988 Ikeda  
4,903,841 A 2/1990 Ohsima et al.  
D306,555 S 3/1990 Lane et al.  
D314,885 S 2/1991 Brunner  
D318,611 S 7/1991 Sherman  
5,038,547 A 8/1991 Kai et al.  
D326,222 S 5/1992 McAtarian  
D354,906 S 1/1995 Lane, Jr. et al.  
D386,698 S 11/1997 Giardiello  
D396,002 S \* 7/1998 Bell ..... D9/707  
5,779,052 A 7/1998 Woodford et al.  
6,083,584 A 7/2000 Smith et al.  
D429,459 S 8/2000 Berman  
D436,847 S 1/2001 Berman  
D440,868 S 4/2001 Berman  
D442,078 S 5/2001 Fuquen  
D446,445 S 8/2001 Croft et al.  
D450,574 S 11/2001 Campbell  
D452,144 S 12/2001 Tedeschi et al.  
D452,817 S 1/2002 Berman  
D454,457 S 3/2002 Ou-Young  
D454,487 S 3/2002 Bell et al.  
D462,897 S 9/2002 Amundson  
D463,266 S 9/2002 Zappa  
D463,738 S 10/2002 Jones  
D463,974 S 10/2002 Berman  
D465,726 S 11/2002 Tet  
D466,003 S 11/2002 Jones et al.  
D468,630 S 1/2003 Ambrose  
D469,120 S 1/2003 Maloney  
D471,090 S 3/2003 Jones  
D473,131 S \* 4/2003 Berman ..... D9/707  
D473,132 S 4/2003 Berman  
D475,614 S 6/2003 Jones

D475,915 S 6/2003 Lawrie et al.  
D477,992 S 8/2003 Dennis et al.  
D486,730 S 2/2004 Rasmussen  
7,004,632 B2 \* 2/2006 Hamilton et al. .... 383/103  
D522,374 S 6/2006 Nova et al.  
D541,668 S \* 5/2007 Pokusa et al. .... D9/709  
D542,152 S 5/2007 Klis  
D545,689 S 7/2007 Peel  
D551,567 S 9/2007 Berman  
D555,009 S \* 11/2007 Lin ..... D9/707  
D558,594 S 1/2008 Kirou et al.  
D558,601 S 1/2008 Berman

## OTHER PUBLICATIONS

U.S. Appl. No. 29/287,526, Friedland, et. al.  
U.S. Appl. No. 29/287,522, Shields.  
U.S. Appl. No. 29/287,513, Friedland, et. al.  
U.S. Appl. No. 29/287,535, Friedland, et. al.  
U.S. Appl. No. 29/287,515, Friedland, et. al.  
U.S. Appl. No. 29/287,510, Friedland, et. al.  
U.S. Appl. No. 29/287,525, Friedland, et. al.  
U.S. Appl. No. 29/287,512, Friedland, et. al.  
U.S. Appl. No. 29/287,518, Beyer, et. al.  
U.S. Appl. No. 29/287,519, Shields.  
U.S. Appl. No. 29/287,520, Friedland, et. al.  
U.S. Appl. No. 29/287,523, Friedland, et. al.  
U.S. Appl. No. 29/287,536, Friedland, et. al.  
U.S. Appl. No. 29/287,514, Friedland, et. al.  
U.S. Appl. No. 29/287,528, Friedland, et. al.  
U.S. Appl. No. 29/287,511, Friedland, et. al.  
U.S. Appl. No. 29/287,538, Friedland, et. al.  
U.S. Appl. No. 29/287,537, Friedland, et. al.  
U.S. Appl. No. 29/287,521, Friedland, et. al.  
U.S. Appl. No. 29/287,524, Friedland, et. al.  
U.S. Appl. No. 11/840,825, Slusarczyk, et. al.

\* cited by examiner

FIG.1

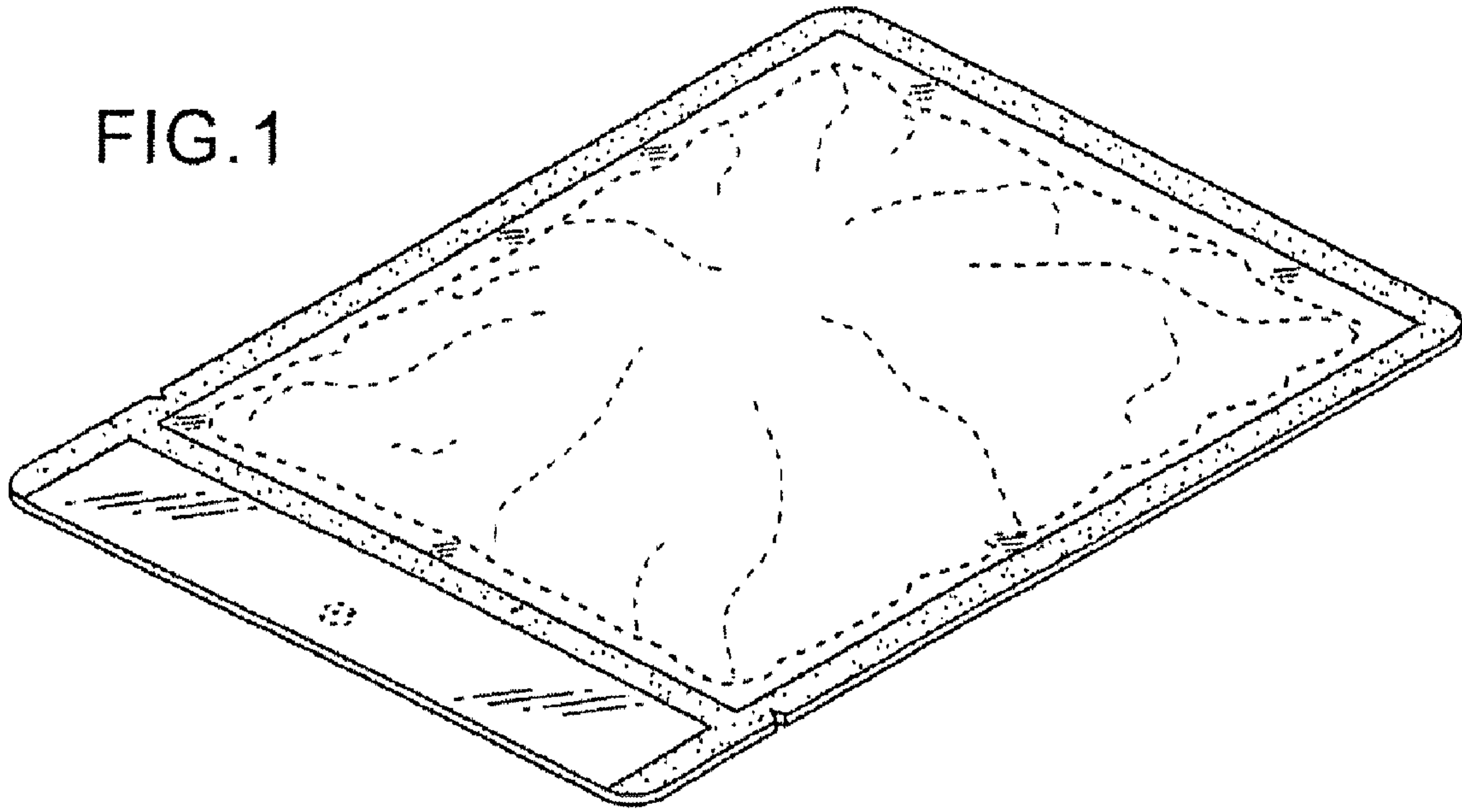


FIG.2

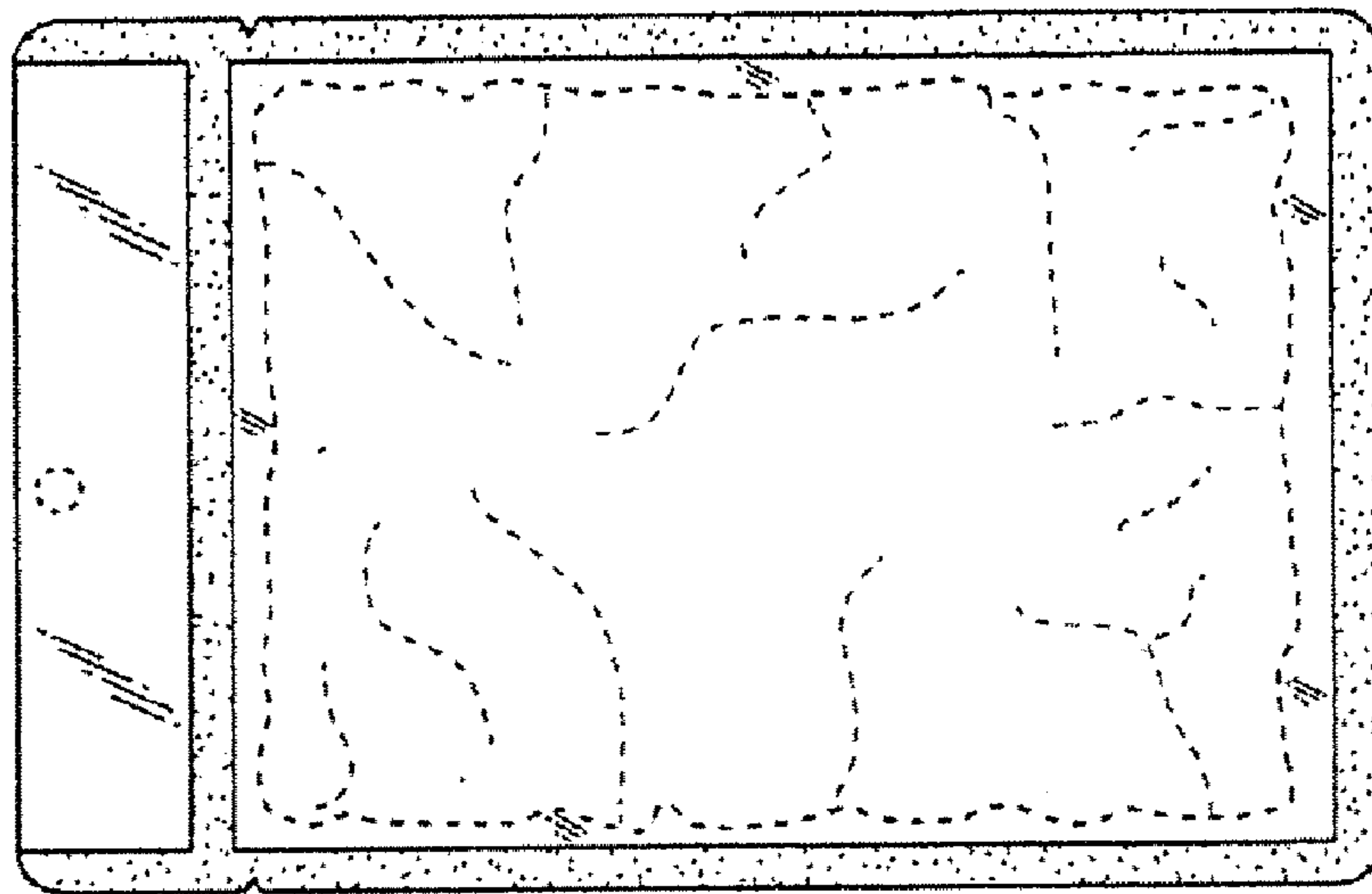


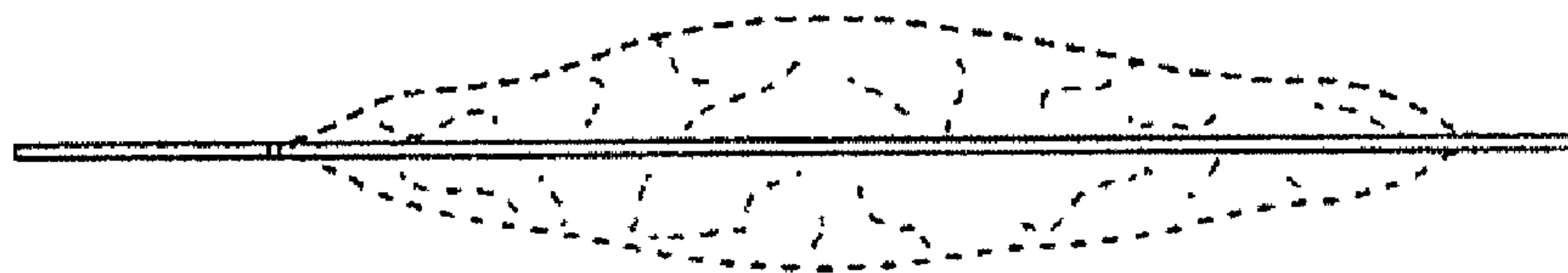
FIG.3



FIG.4



FIG.5





UNITED STATES PATENT AND TRADEMARK OFFICE  
**CERTIFICATE OF CORRECTION**

PATENT NO. : Des. 585,302 S  
APPLICATION NO. : 29/287539  
DATED : January 27, 2009  
INVENTOR(S) : Daniel Beyer et al.

Page 1 of 1

It is certified that error appears in the above-identified patent and that said Letters Patent is hereby corrected as shown below:

Title page, item (75)

Delete the second inventor's last name incorrectly shown as "FRIELDLAND" and insert --FRIEDLAND--.

Signed and Sealed this

Twenty-fourth Day of March, 2009



JOHN DOLL

*Acting Director of the United States Patent and Trademark Office*