



US00D585293S

(12) **United States Design Patent**
Honkawa

(10) **Patent No.:** **US D585,293 S**

(45) **Date of Patent:** **** Jan. 27, 2009**

(54) **BOTTLE**

(75) Inventor: **Bryan Honkawa**, Malibu, CA (US)

(73) Assignee: **POMWonderful LLC**, Los Angeles, CA (US)

(**) Term: **14 Years**

(21) Appl. No.: **29/305,709**

(22) Filed: **Mar. 26, 2008**

(51) **LOC (9) Cl.** **09-01**

(52) **U.S. Cl.** **D9/539; D9/501; D9/519; D9/558; D9/571**

(58) **Field of Classification Search** D9/500, D9/502-505, 516, 519, 537-539, 545, 549, D9/558, 571, 685-686, 688-691; 215/381-384, 215/396, 398

See application file for complete search history.

(56) **References Cited**

U.S. PATENT DOCUMENTS

186,938	A	*	2/1877	King	222/575 X
D48,007	S	*	10/1915	Orem	D9/542
D81,999	S	*	9/1930	Rithner	D26/11
D100,109	S	*	6/1936	Leatherman	D9/519
D206,464	S	*	12/1966	Roberts	D9/538
D219,262	S	*	11/1970	Lambelet	D9/500
D289,678	S	*	5/1987	Kwiatkowski	D23/367
D304,159	S	*	10/1989	Kleinert	D9/523
D455,351	S	*	4/2002	Bailey	D9/502

D464,571	S	*	10/2002	Hill et al.	D9/519
D465,733	S	*	11/2002	Hill	D9/519
D476,899	S	*	7/2003	Honkawa	D9/539
D497,549	S	*	10/2004	Maskell et al.	D9/500
D501,404	S	*	2/2005	Dalton et al.	D9/500
D513,591	S	*	1/2006	Ducret	D9/504
D565,413	S	*	4/2008	Honkawa et al.	D9/519
D565,956	S	*	4/2008	Fougere et al.	D9/528

* cited by examiner

Primary Examiner—Carol Rademaker

(74) *Attorney, Agent, or Firm*—Jeffer Mangels Butler & Marmaro LLP

(57) **CLAIM**

The ornamental design for a bottle, as shown and described.

DESCRIPTION

FIG. 1 is a perspective view a bottle showing my new design; FIG. 2 is a front elevational view thereof, the right side elevational view, left side elevational view, and rear elevational view being identical except for the unclaimed pour spout portion;

FIG. 3 is a top plan view thereof; and,

FIG. 4 is a bottom plan view thereof.

The portion of the pour spout and thread shown in broken lines in the drawing views is included for the purpose of showing environmental structure that forms no part of the claimed design.

1 Claim, 3 Drawing Sheets

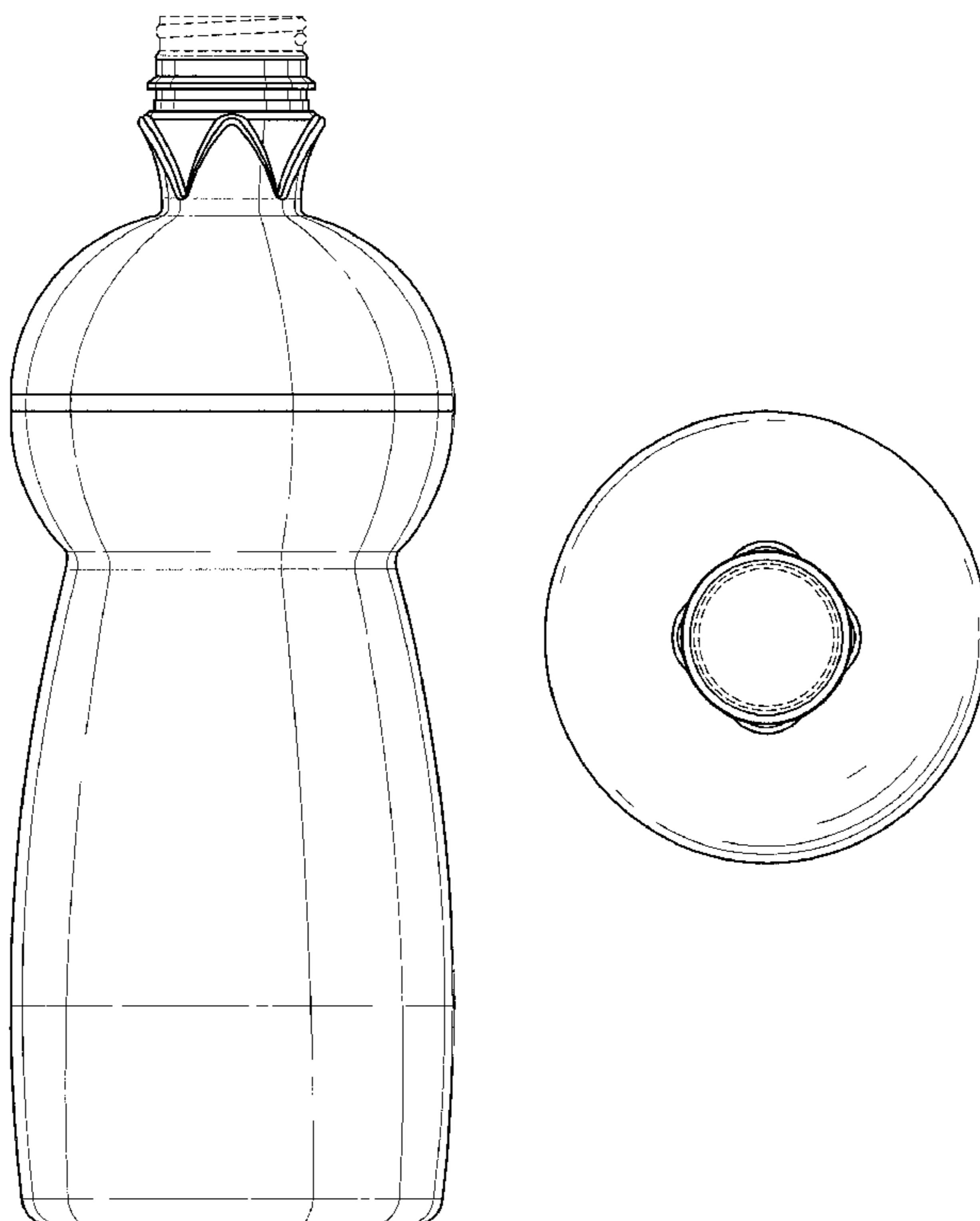
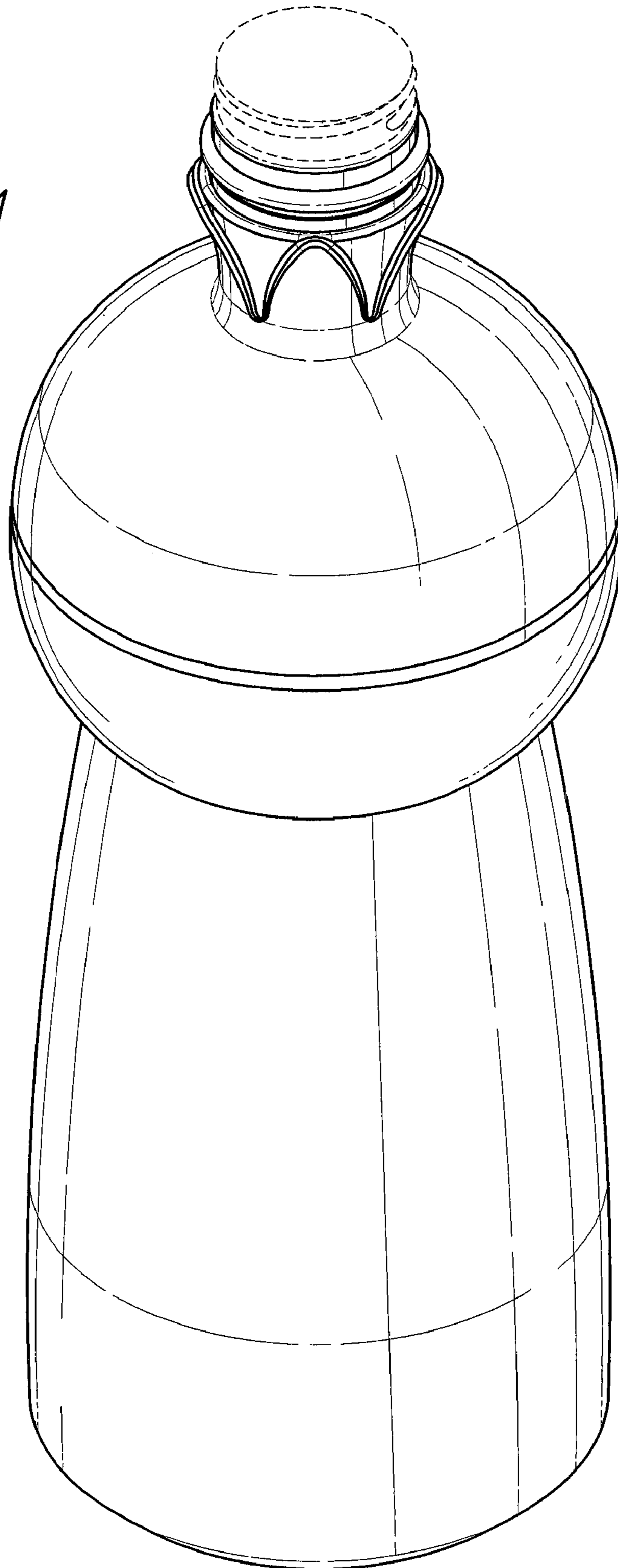


FIG. 1



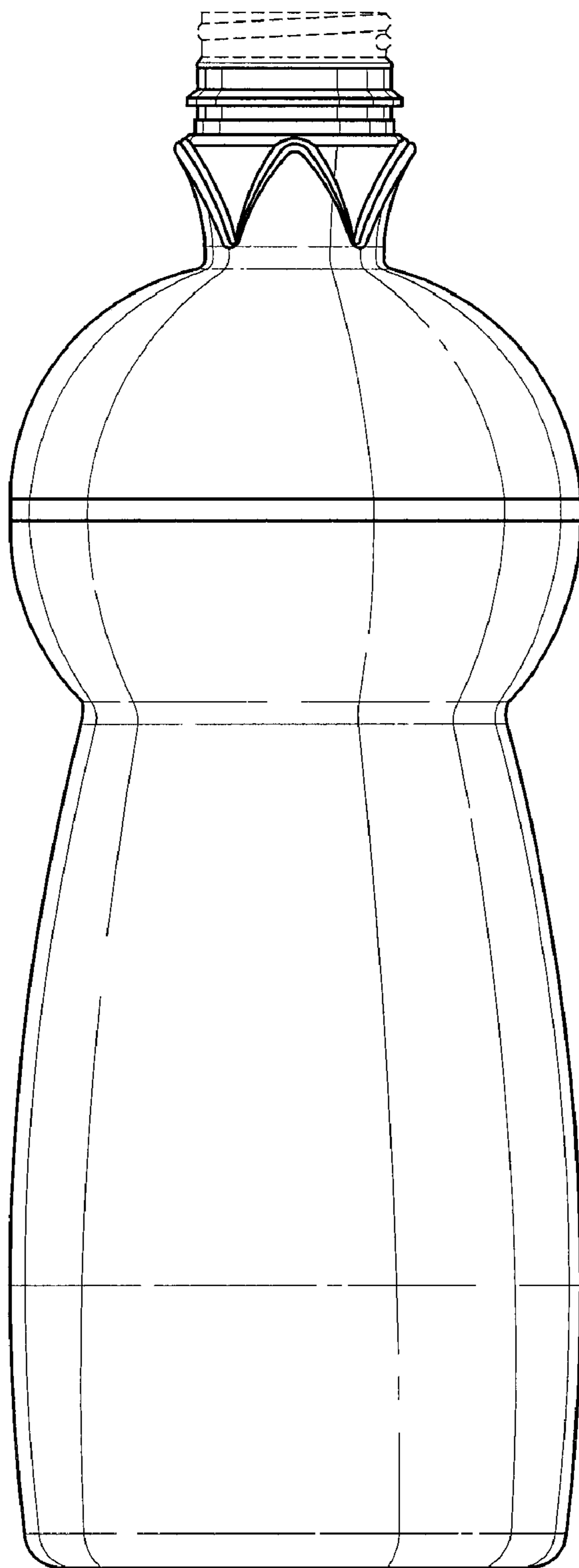


FIG. 2

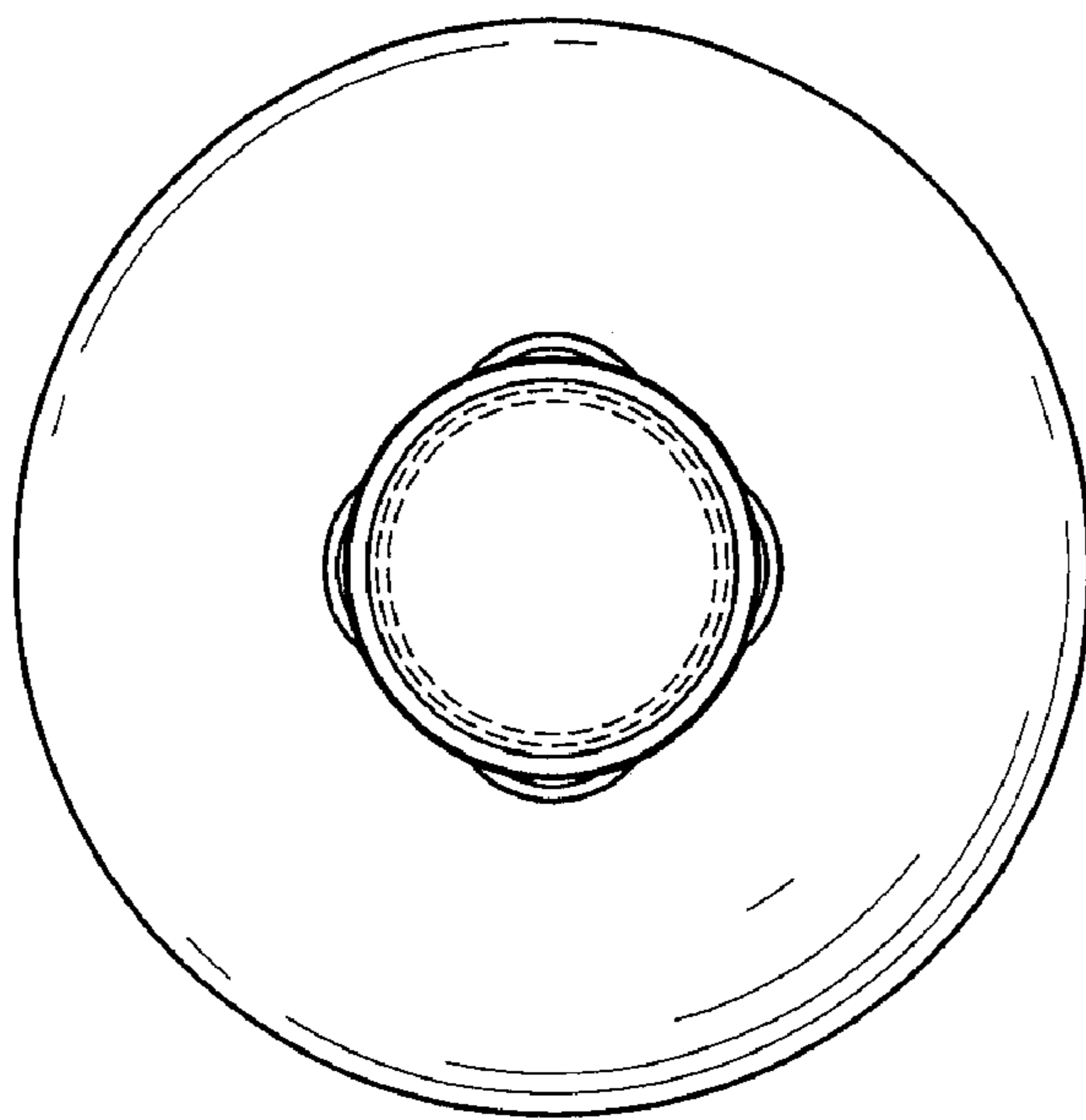


FIG. 3

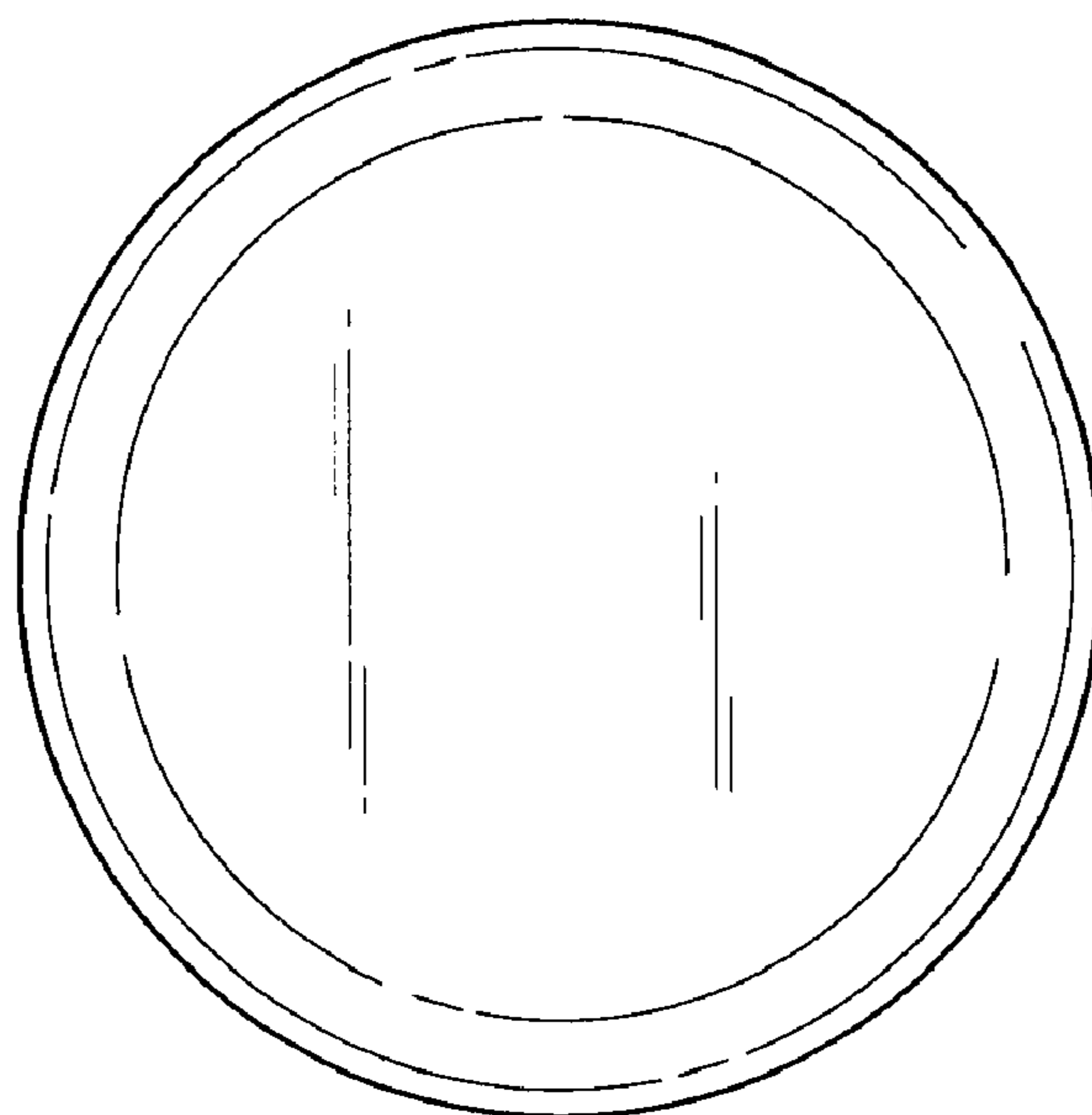


FIG. 4