

US00D585279S

(12) **United States Design Patent**
Walker et al.

(10) **Patent No.:** **US D585,279 S**
(45) **Date of Patent:** **** Jan. 27, 2009**

(54) **PORTION OF A LID**
(75) Inventors: **Thomas B. Walker**, Evansville, IN
(US); **Milan C. Maravich**, Newburgh,
IN (US); **David O’Nan**, Henderson, KY
(US)
(73) Assignee: **Berry Plastics Corporation**, Evansville,
IN (US)
(**) Term: **14 Years**
(21) Appl. No.: **29/282,624**
(22) Filed: **Jul. 25, 2007**
(51) **LOC (9) Cl.** **09-07**
(52) **U.S. Cl.** **D9/452; D9/454; D9/435**
(58) **Field of Classification Search** D9/454,
D9/453, 452, 448, 445, 444, 436, 435, 425,
D9/505, 449, 446; D7/629, 587, 392.1, 391;
D3/318; 220/802, 784, 781, 780, 737, 288,
220/254.3; 215/317, 316, 270, 261, 329,
215/252, 237, 230, 216; D24/196, 121; 600/577
See application file for complete search history.

D256,558 S * 8/1980 Smith D9/454
D258,576 S * 3/1981 Smith D9/452
4,266,689 A 5/1981 Asher
4,349,119 A 9/1982 Letica
4,351,448 A 9/1982 Ingersoll et al.
4,421,244 A * 12/1983 Van Melle 220/781
4,446,986 A 5/1984 Bowen et al.
4,508,235 A 4/1985 Steele et al.
4,562,937 A 1/1986 Iyengar
D286,026 S * 10/1986 Rayner D9/435
4,640,435 A 2/1987 Dutt
4,679,699 A 7/1987 Malsbury et al.
D292,380 S * 10/1987 Smith D9/435
4,721,210 A 1/1988 Lawrence et al.
4,934,557 A 6/1990 Smith
D309,564 S * 7/1990 Rayner D9/435
5,377,860 A 1/1995 Littlejohn et al.
D380,385 S * 7/1997 Litke D9/452
D381,267 S * 7/1997 Rush et al. D9/452
5,979,690 A 11/1999 Hartley
6,056,144 A 5/2000 Strange et al.
6,302,288 B1 10/2001 Nava et al.
D452,155 S * 12/2001 Stodd D9/454
6,357,619 B1 3/2002 Schaefer
6,419,112 B1 7/2002 Bruce et al.
6,460,716 B1 10/2002 Wong
6,688,487 B2 2/2004 Oakes et al.
D502,050 S * 2/2005 Munson et al. D7/392.1

(56) **References Cited**

U.S. PATENT DOCUMENTS

D111,097 S * 8/1938 White D9/453
2,985,354 A 5/1961 Aldington
3,048,317 A 8/1962 Cochrane et al.
3,055,540 A 9/1962 Ringlen
3,262,602 A 7/1966 McConnell et al.
3,583,596 A * 6/1971 Brewer 220/781
D221,420 S * 8/1971 Swampscott D9/453
D222,905 S * 2/1972 Kinney D9/439
3,677,435 A 7/1972 Davis
3,679,088 A 7/1972 Swett et al.
3,743,133 A 7/1973 Rathbun
3,805,991 A 4/1974 Cheladze et al.
D233,599 S * 11/1974 Swampscott D9/453
3,977,563 A 8/1976 Holt
4,006,839 A 2/1977 Thiel et al.
4,054,229 A 10/1977 Arfert
4,210,258 A 7/1980 von Holdt

(Continued)

Primary Examiner—Susan B Hattan
(74) *Attorney, Agent, or Firm*—Barnes & Thornburg LLP

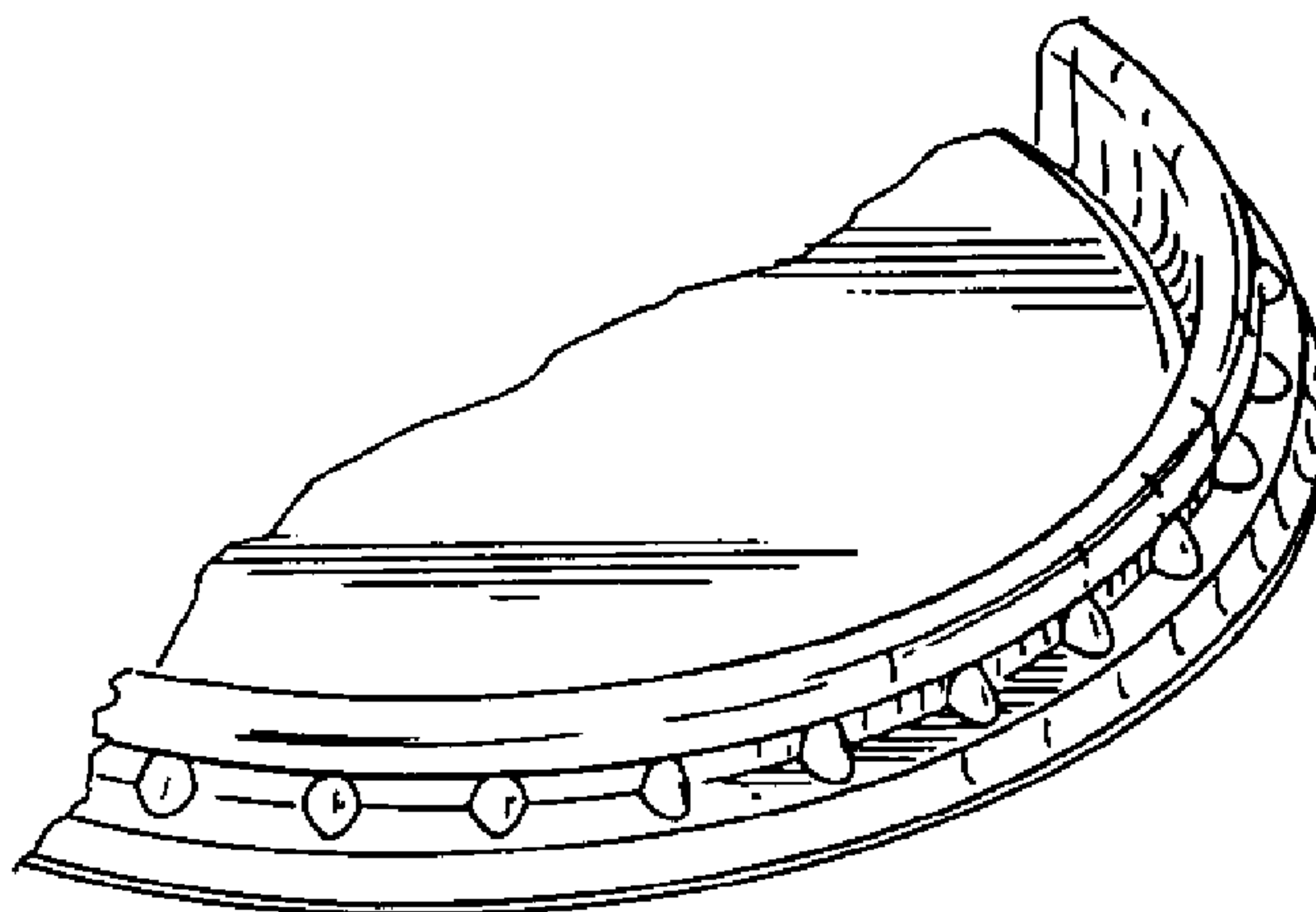
(57) **CLAIM**

The ornamental design for a portion of a lid, as shown and described.

DESCRIPTION

FIG. 1 is a top side perspective view of a portion of a lid;
FIG. 2 is a top plan view thereof;
FIG. 3 is a bottom view thereof; and,
FIG. 4 is a side elevation view thereof.

1 Claim, 2 Drawing Sheets



US D585,279 S

Page 2

U.S. PATENT DOCUMENTS								
6,910,599	B2	6/2005	Tucker et al.	D569,245	S *	5/2008	Joshi et al.	D9/447
6,932,234	B2	8/2005	D'Amato	D574,238	S *	8/2008	Walker et al.	D9/452
D516,910	S	3/2006	Bresler	2002/0037378	A1	3/2002	Littlejohn et al.	
D517,322	S *	3/2006	Zettle et al.	D3/323				
D521,382	S *	5/2006	Gross et al.	D9/452				
D527,261	S *	8/2006	Hornke	D9/454				
D560,120	S *	1/2008	Maravich et al.	D9/454				
D564,354	S *	3/2008	Maravich et al.	D9/452				
				2004/0011803	A1	1/2004	D'Amato	
				2004/0094553	A1	5/2004	Crider et al.	
				2004/0245261	A1	12/2004	Stanos et al.	
				2005/0109780	A1	5/2005	Pendergrass et al.	
				2005/0230406	A1	10/2005	Maravich et al.	
				2006/0060589	A1	3/2006	Lee	

* cited by examiner

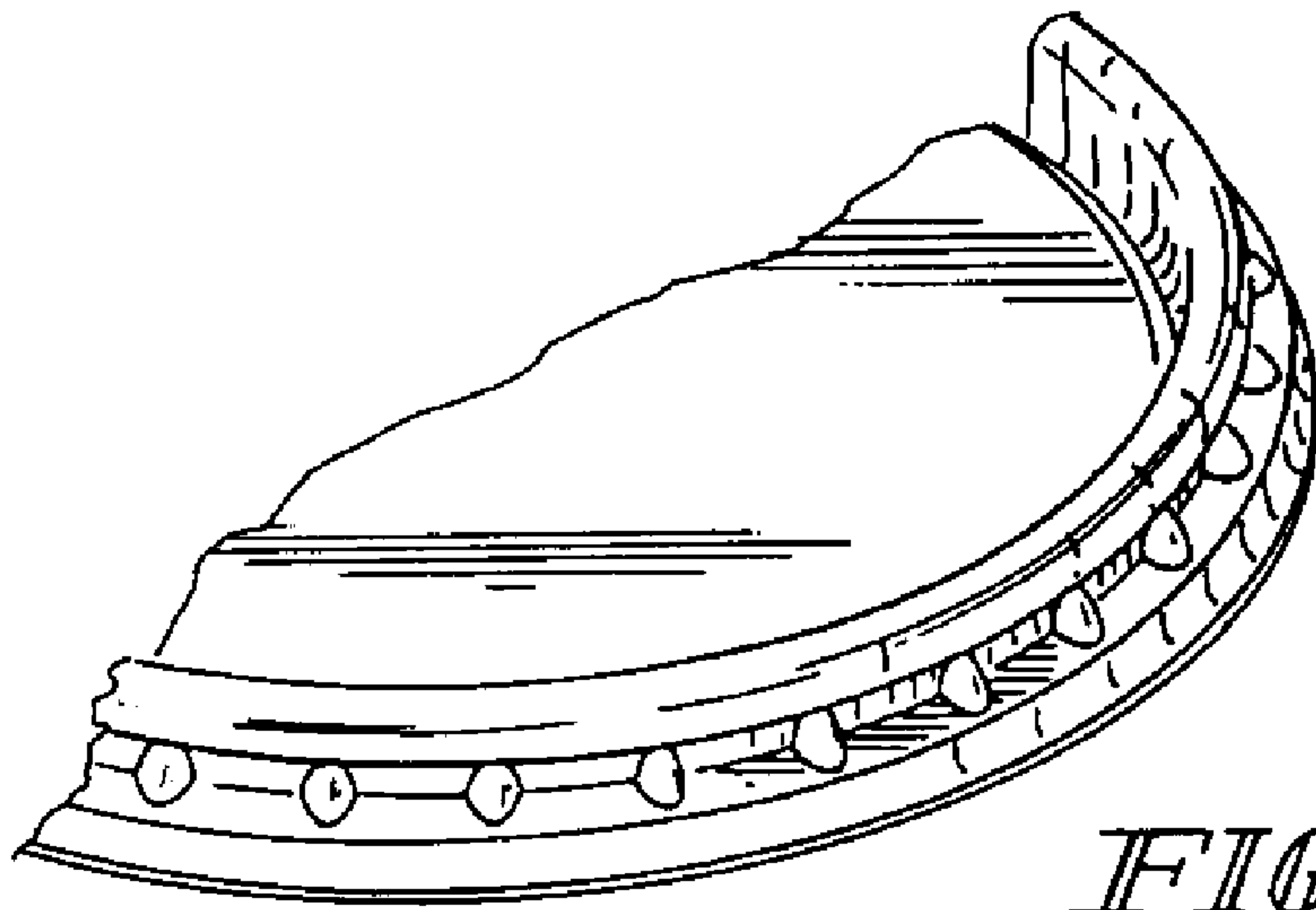


FIG. 1

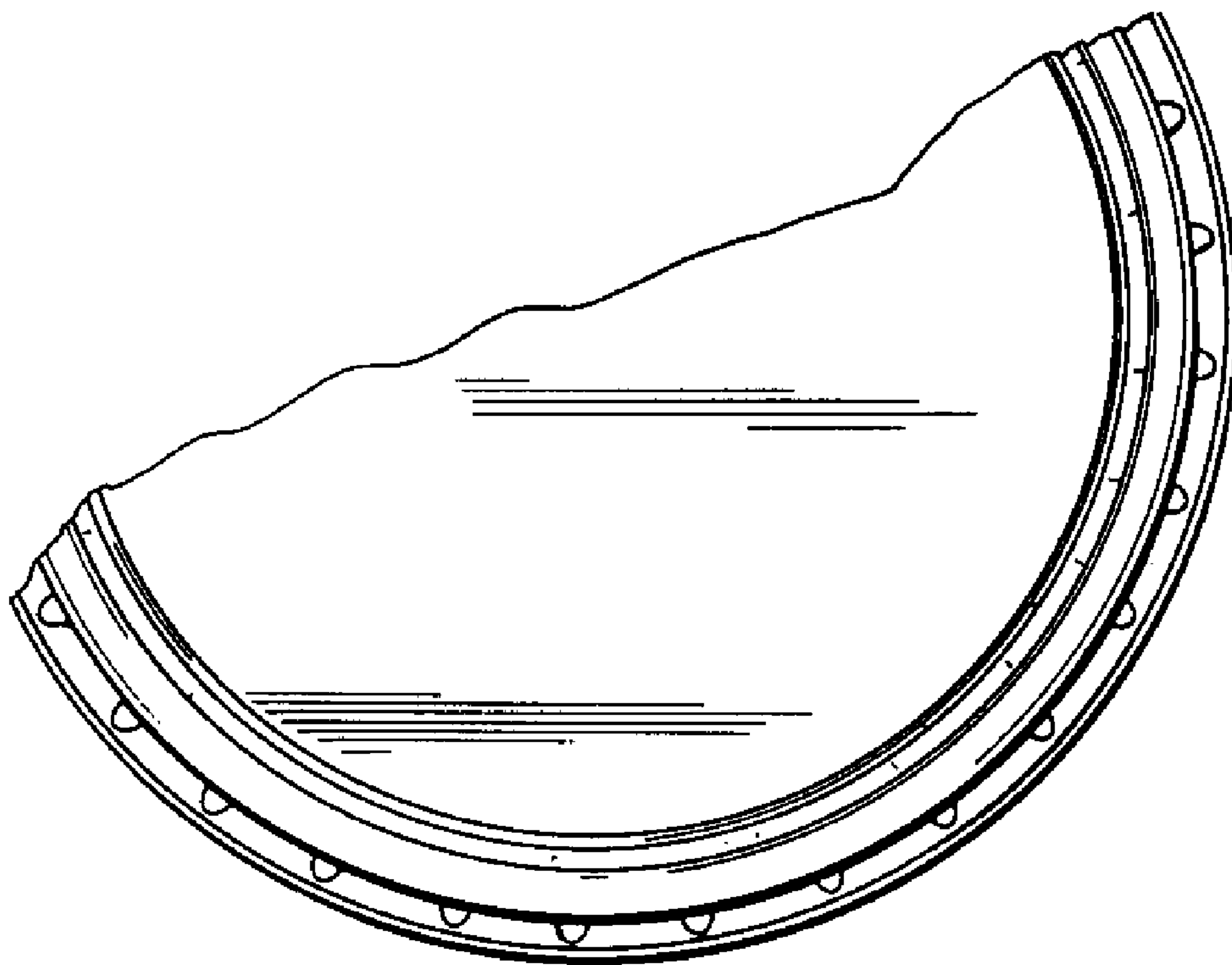


FIG. 2

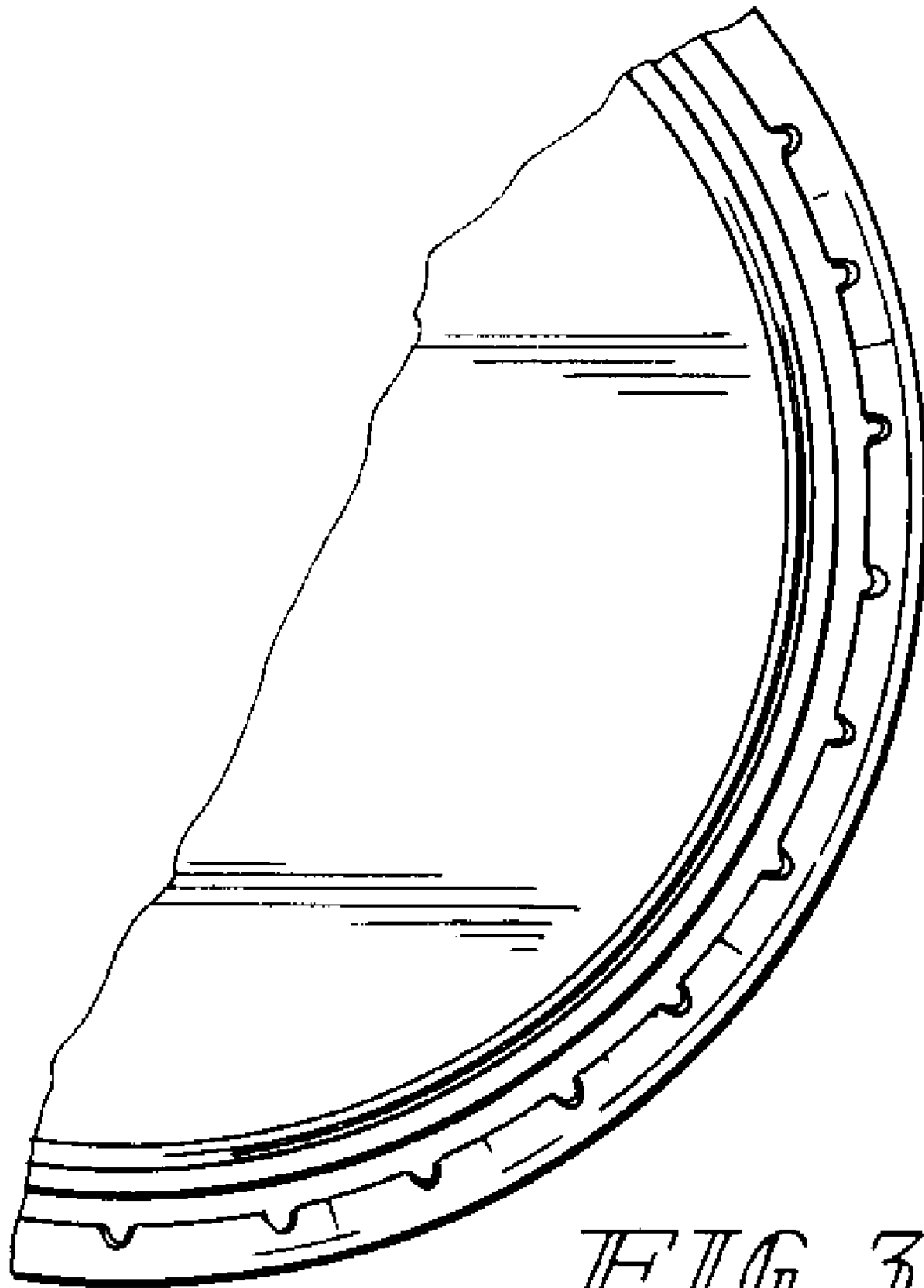


FIG. 3

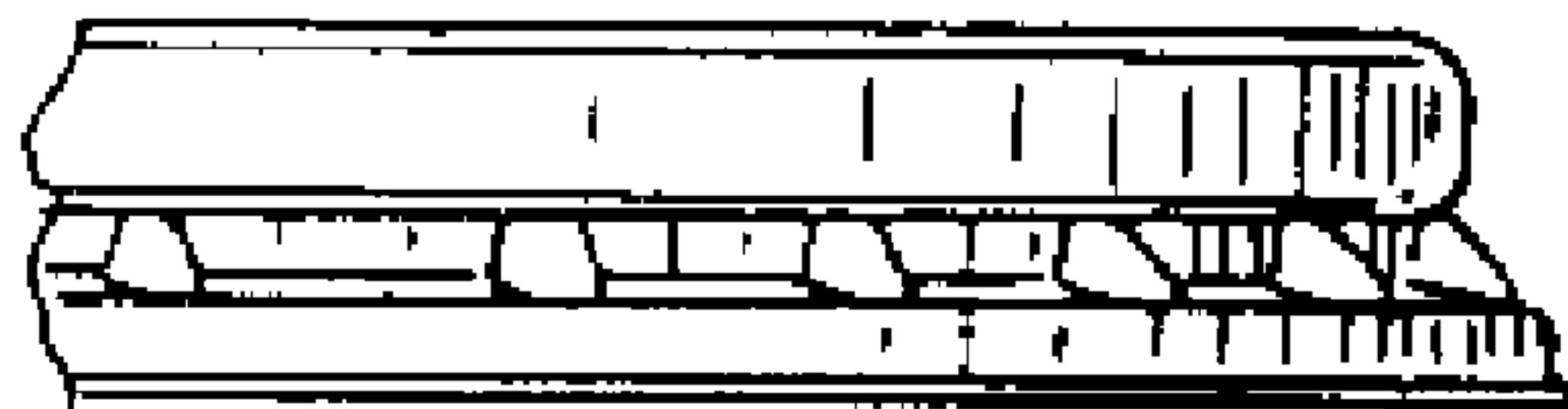


FIG. 4