



US00D585278S

(12) **United States Design Patent**  
**Wilson et al.**

(10) **Patent No.:** **US D585,278 S**  
(45) **Date of Patent:** **\*\* Jan. 27, 2009**

(54) **NON-DRIP SPOUT**

(75) Inventors: **Tracie Lynn Clemons Wilson**,  
Westminster, MD (US); **Steve Gift**, Lititz,  
PA (US)

(73) Assignee: **McCormick & Company, Inc.**, Sparks,  
MD (US)

(\*\*) Term: **14 Years**

(21) Appl. No.: **29/322,212**

(22) Filed: **Jul. 30, 2008**

**Related U.S. Application Data**

(62) Division of application No. 29/250,547, filed on Nov.  
20, 2006.

(51) **LOC (9) Cl.** ..... **09-07**

(52) **U.S. Cl.** ..... **D9/449; D9/454**

(58) **Field of Classification Search** ..... D9/453,  
D9/450, 449, 446, 438; 222/571, 567, 566,  
222/545, 544, 484, 481.5, 480; 220/810;  
215/556, 235; D28/82

See application file for complete search history.

(56) **References Cited**

**U.S. PATENT DOCUMENTS**

447,502 A	3/1891	Wright	
1,648,512 A	11/1927	Stock	
1,952,288 A *	3/1934	Saxon	222/569
2,203,133 A	6/1940	Englert	
D306,701 S *	3/1990	Beck	D9/446

D319,981 S *	9/1991	Sledge	D9/447
5,395,015 A *	3/1995	Bolen et al.	222/546
D363,025 S	10/1995	Deflander et al.	
5,651,481 A	7/1997	Jensen	
6,116,477 A	9/2000	Kreiseder et al.	
D508,402 S	8/2005	Hierzer et al.	
D508,853 S *	8/2005	Ziegenhorn et al.	D9/449
D576,877 S *	9/2008	Alcamo et al.	D9/449
2007/0095864 A1	5/2007	Vangeel et al.	

\* cited by examiner

*Primary Examiner*—Susan B Hattan

(74) *Attorney, Agent, or Firm*—Oblon, Spivak, McClelland,  
Maier & Neustadt, P.C.

(57) **CLAIM**

The ornamental design for a non-drip spout, as shown and  
described.

**DESCRIPTION**

FIG. 1 is a top and right front perspective view of a non-drip  
spout when in use;

FIG. 2 is a front elevational view thereof;

FIG. 3 is a left side elevational view thereof, the right side  
elevational view being a mirror image of the side view shown;

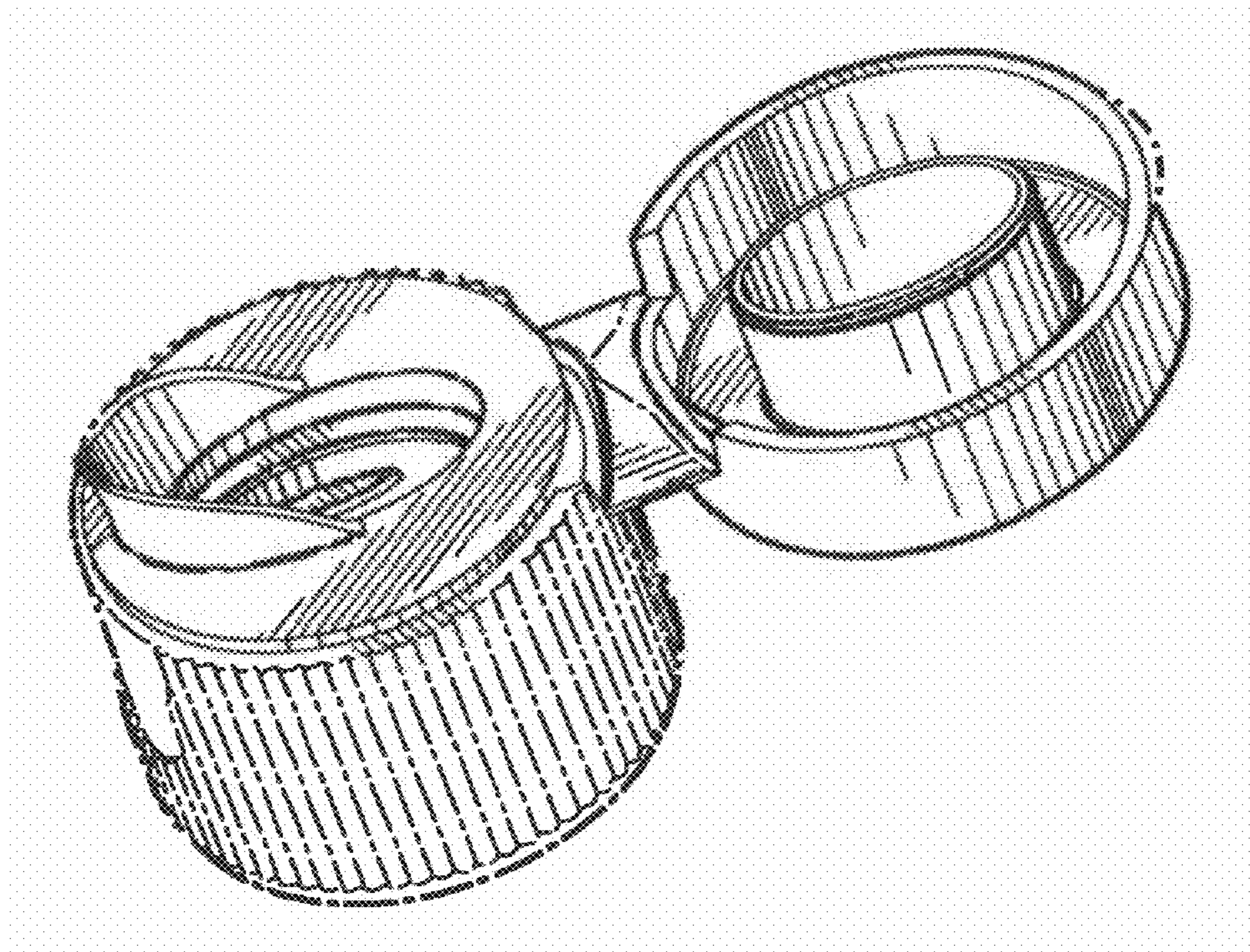
FIG. 4 is a top plan view thereof;

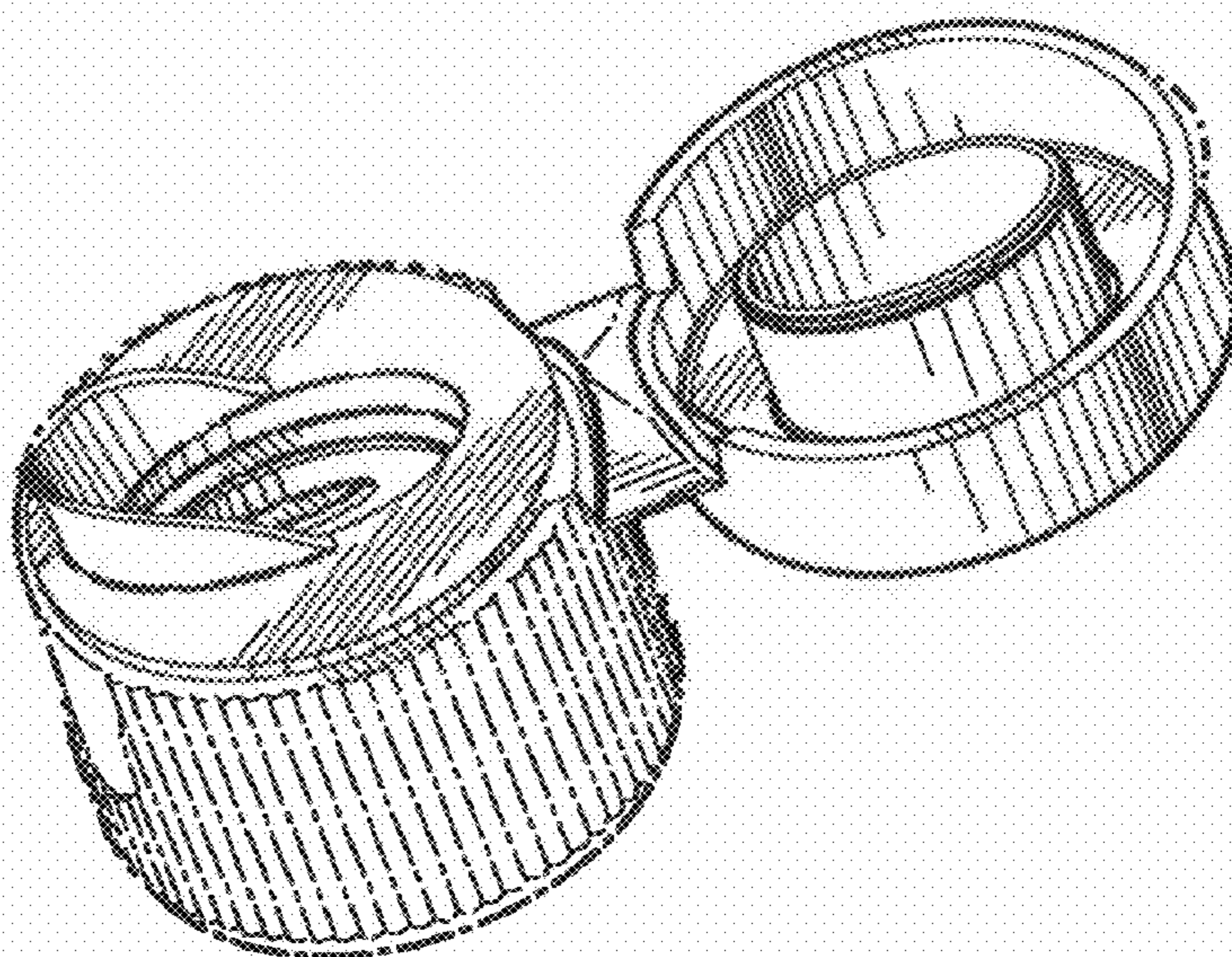
FIG. 5 is a rear elevational view thereof; and,

FIG. 6 is a bottom plan view thereof.

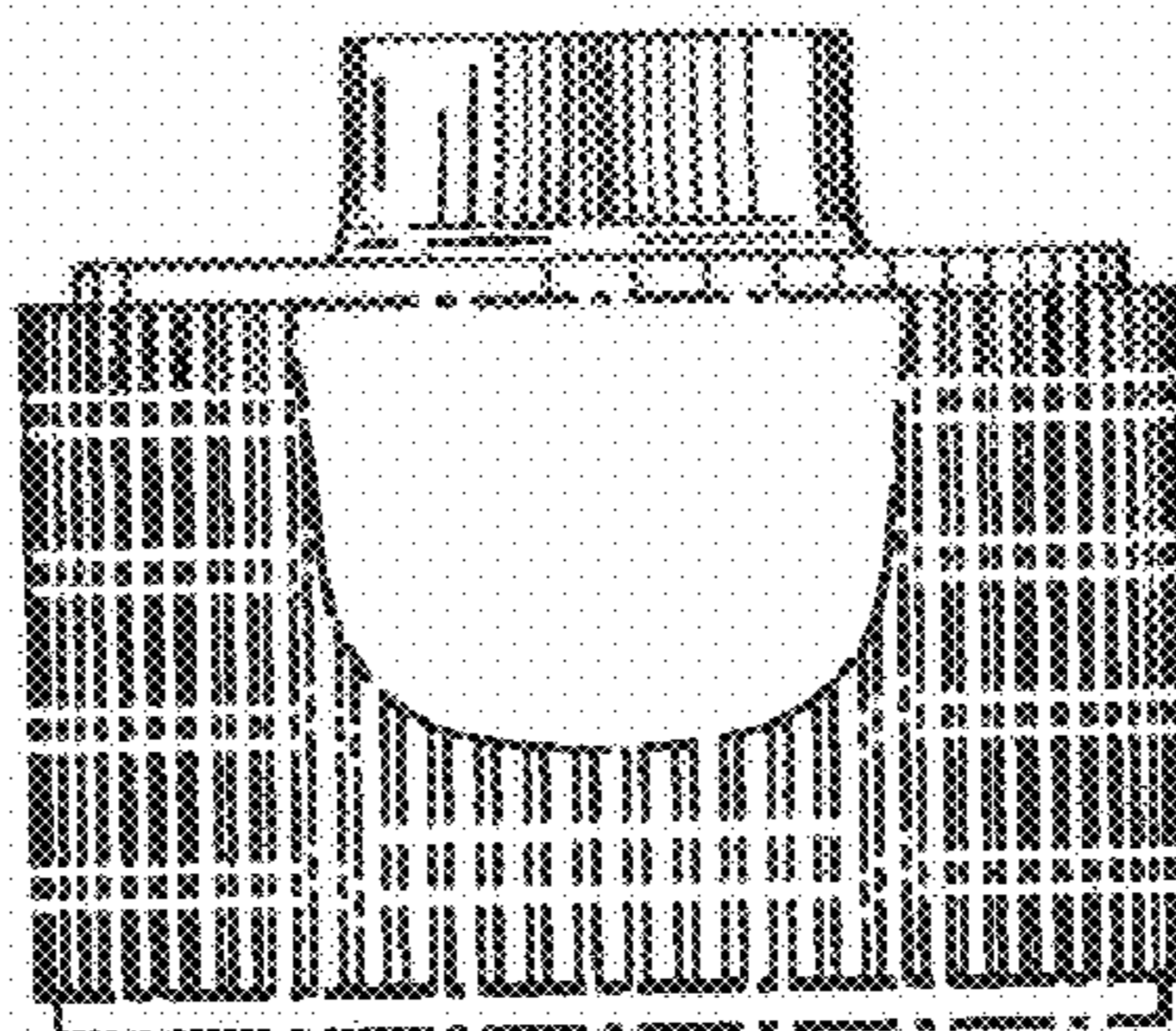
The broken lines in the drawings depict environmental sub-  
ject matter only and form no part of the claimed design.

**1 Claim, 3 Drawing Sheets**

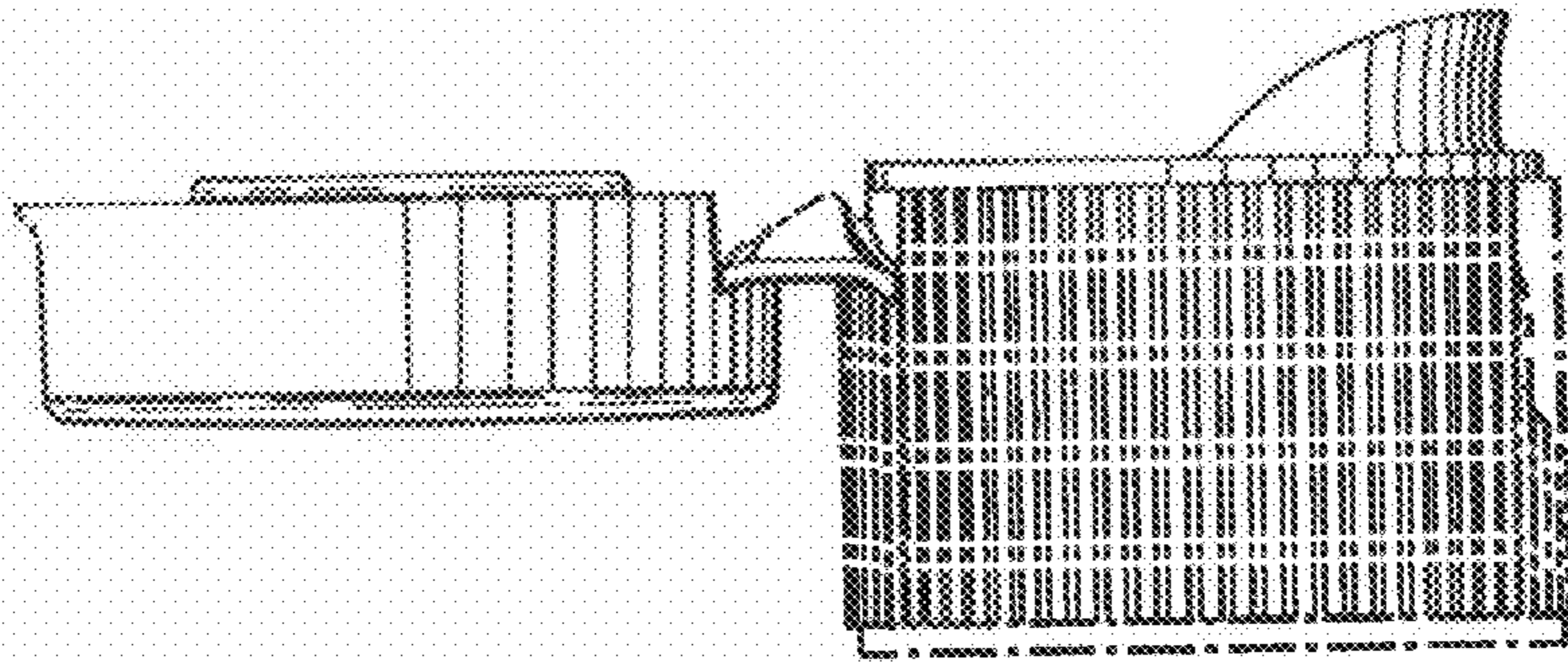




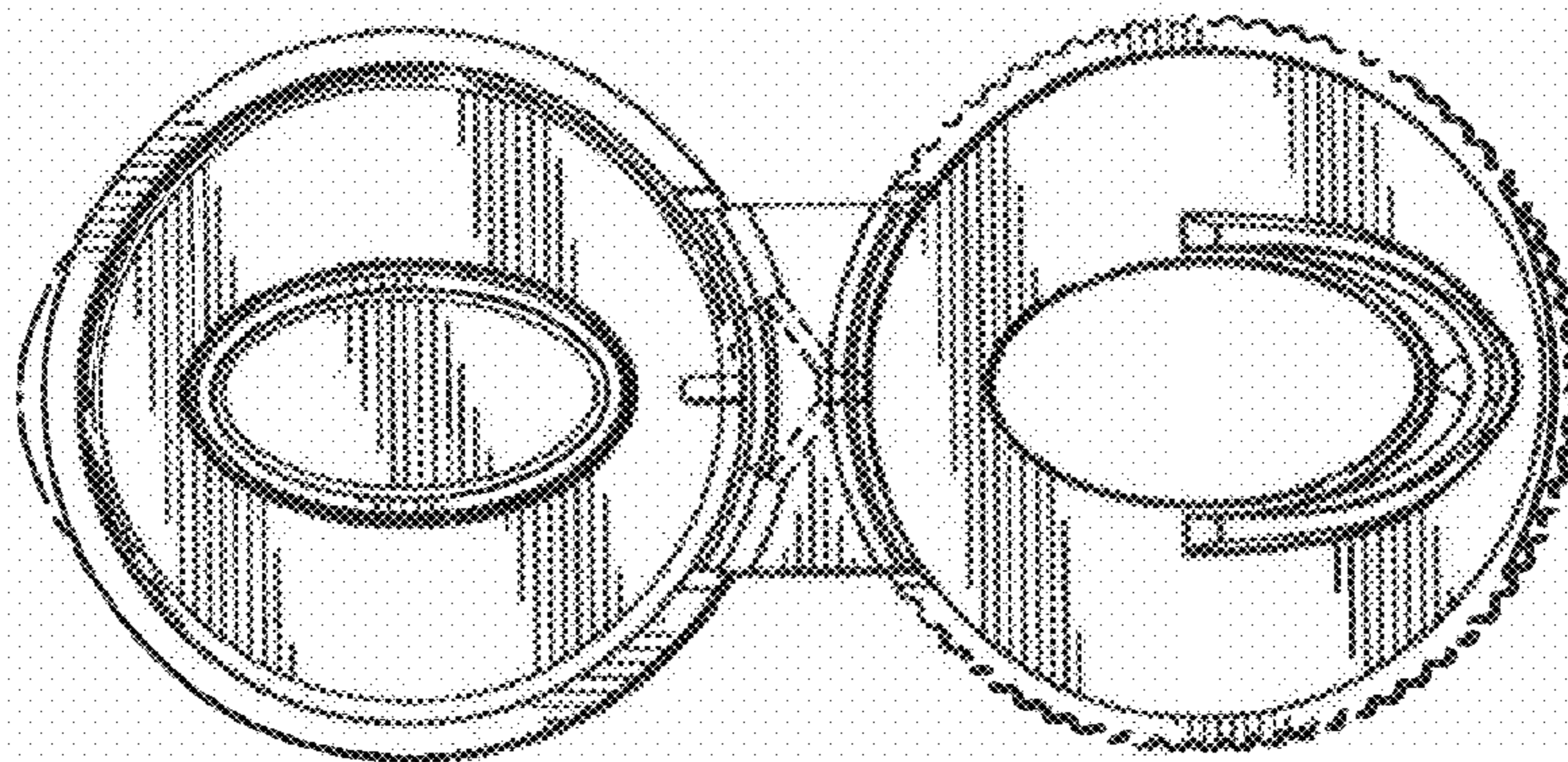
*Fig. 1*



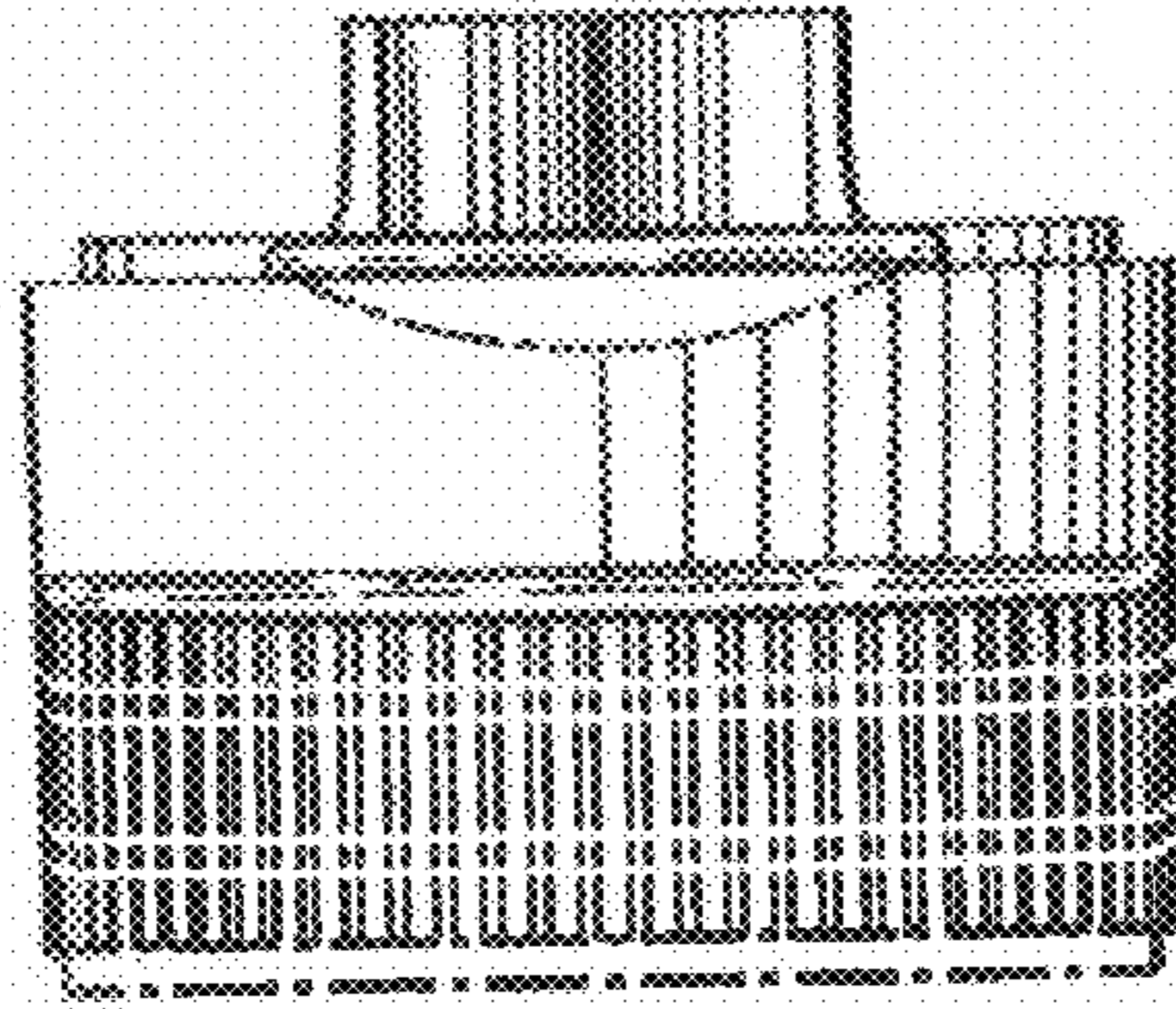
*Fig. 2*



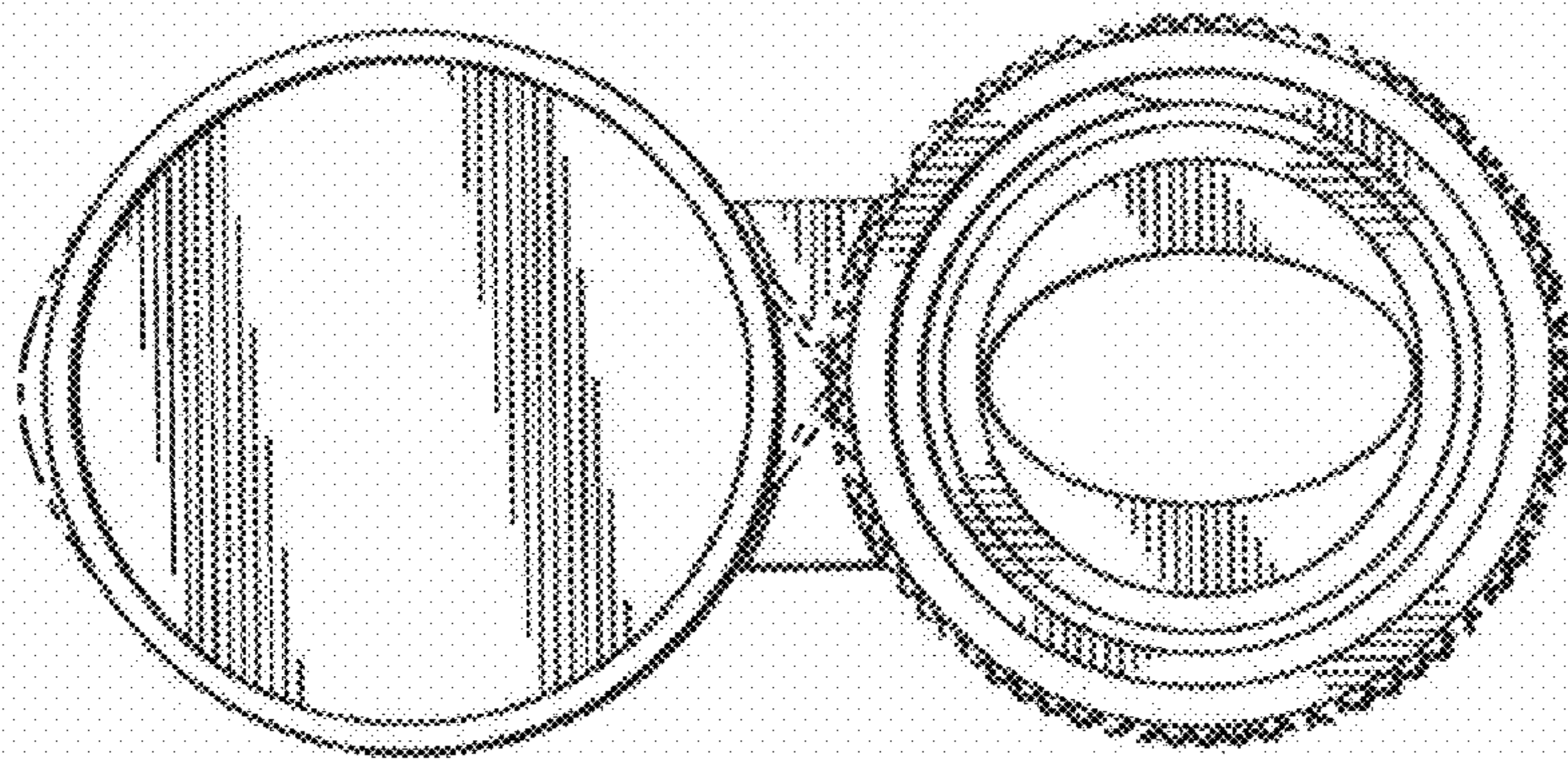
*Fig. 3*



*Fig. 4*



*Fig. 5*



*Fig. 6*