



US00D585277S

(12) **United States Design Patent**
Beauplan

(10) **Patent No.:** **US D585,277 S**
(45) **Date of Patent:** **** Jan. 27, 2009**

(54) **DUAL CONDIMENT DISPENSER**

(76) Inventor: **Alain Beauplan**, 3844 Lyons Rd., #205,
Coconut Creek, FL (US) 33073

(**) Term: **14 Years**

(21) Appl. No.: **29/269,581**

(22) Filed: **Dec. 4, 2006**

(51) **LOC (9) Cl.** **09-07**

(52) **U.S. Cl.** **D9/449; D9/446**

(58) **Field of Classification Search** D9/697,
D9/695, 574, 529, 453, 450, 449, 447, 446,
D9/443, 442, 438, 434; 222/571, 567, 566,
222/545, 544, 484, 481.5, 480; 220/810;
215/235, 556

See application file for complete search history.

(56) **References Cited**

U.S. PATENT DOCUMENTS

1,894,115	A	1/1933	Murphy	
2,661,870	A	12/1953	Huenergardt	
3,003,665	A	10/1961	Peters	
3,197,071	A	7/1965	Kuster	
3,506,157	A	4/1970	Dukess	
4,148,417	A	4/1979	Simmons	
4,284,200	A *	8/1981	Bush et al.	222/545
D272,807	S *	2/1984	Ruhl	D9/449
4,528,180	A	7/1985	Schaeffer	
4,754,898	A *	7/1988	Britt et al.	222/545
4,881,652	A	11/1989	Schiemann	
4,964,539	A	10/1990	Mueller	
4,984,715	A	1/1991	Green	
5,020,694	A	6/1991	Pettengill	
5,038,963	A	8/1991	Pettengill et al.	
5,052,590	A	10/1991	Ratcliff	
5,076,464	A	12/1991	Simon	
5,102,016	A	4/1992	Ball et al.	

D340,187	S *	10/1993	Forsyth	D9/449
5,310,091	A	5/1994	Dunning et al.		
5,318,203	A	6/1994	Iaia et al.		
D356,026	S	3/1995	Iaia et al.		
5,456,294	A *	10/1995	Tsao et al.	222/545
5,615,803	A	4/1997	Hatakeyama et al.		
5,702,033	A	12/1997	Beaver		
5,860,565	A	1/1999	Winston et al.		
5,865,345	A	2/1999	Cistone et al.		
D410,388	S *	6/1999	Fisher et al.	D9/449
D414,104	S *	9/1999	Klauke et al.	D9/695

(Continued)

Primary Examiner—Susan B Hattan

(74) *Attorney, Agent, or Firm*—Greenberg Traurig, P.A.

(57) **CLAIM**

I claim the ornamental design for a dual condiment dispenser, as shown and described.

DESCRIPTION

FIG. 1 is a top perspective view of the cap and upper container neck of a dual condiment dispenser embodying the ornamental design comprising the present invention;

FIG. 2 is a top plan view of the cap thereof;

FIG. 3 is a side view of the cap thereof;

FIG. 4 is a bottom view thereof;

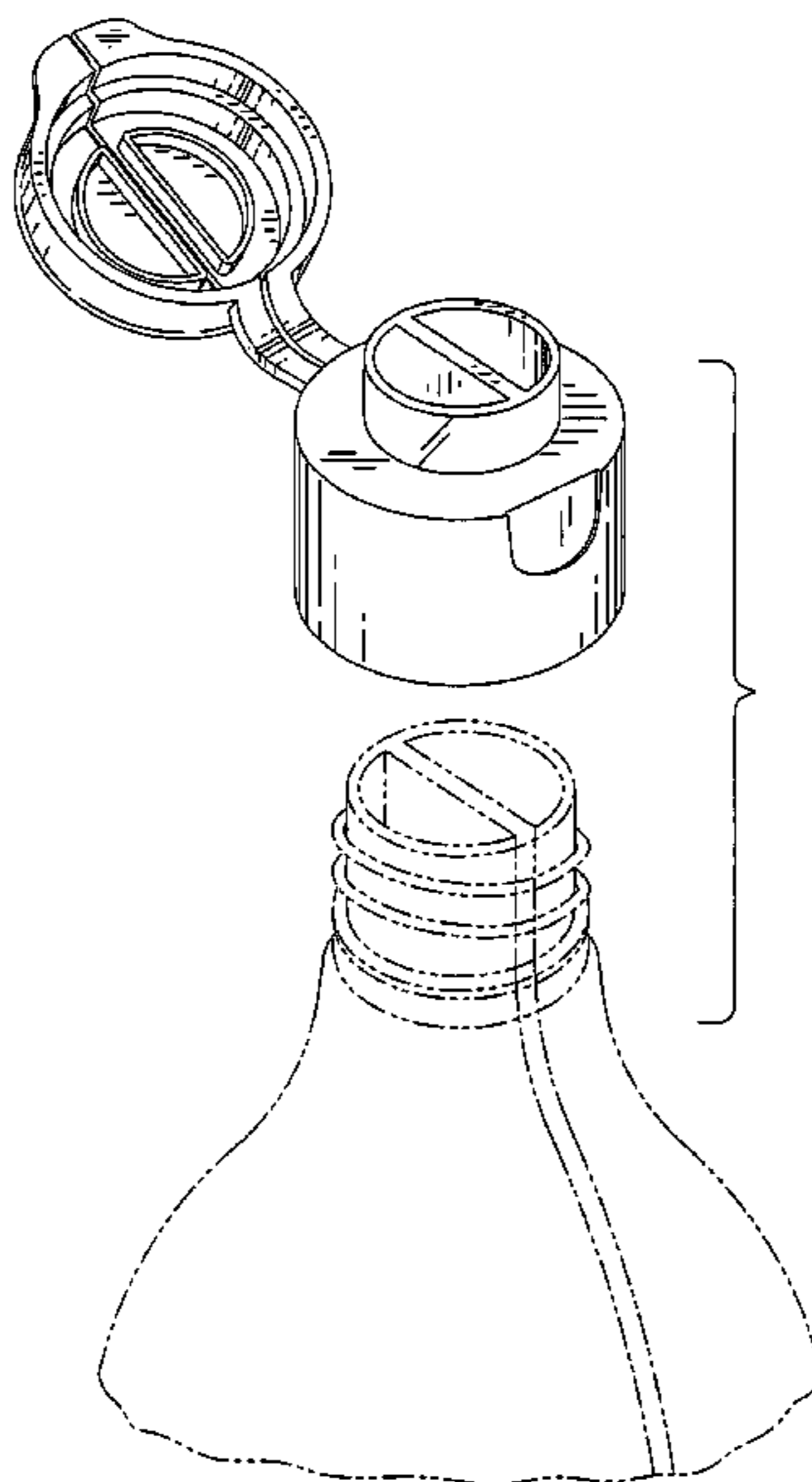
FIG. 5 is a front view thereof;

FIG. 6 is a rear view thereof; and,

FIG. 7 is a top perspective view of the cap and upper container neck of a dual condiment dispenser embodying the ornamental design comprising the present invention, showing the cap in the closed position.

The broken lines in the drawing depict environmental subject matter only and form no part of the claimed design.

1 Claim, 3 Drawing Sheets



U.S. PATENT DOCUMENTS

5,954,231	A	9/1999	Durliat et al.	6,578,739	B2	6/2003	Scheifele
6,063,223	A	5/2000	Klauke et al.	6,634,524	B1	10/2003	Helmenstein
6,065,643	A	5/2000	Harvey et al.	6,669,048	B2	12/2003	Eva et al.
6,161,729	A	12/2000	Gentile et al.	6,758,411	B2	7/2004	Conway et al.
6,223,942	B1	5/2001	Markey et al.	6,845,884	B2	1/2005	Chan et al.
6,247,617	B1	6/2001	Clyde et al.	6,857,530	B2	2/2005	Yourist
6,345,733	B1	2/2002	Bennett	6,913,777	B2	7/2005	Rebhorn et al.
6,390,324	B1	5/2002	Everette et al.	7,017,770	B2	3/2006	Scheifele
6,454,129	B1	9/2002	Green	7,036,864	B2	5/2006	Hantman et al.
6,550,647	B1	4/2003	Kunz				

* cited by examiner

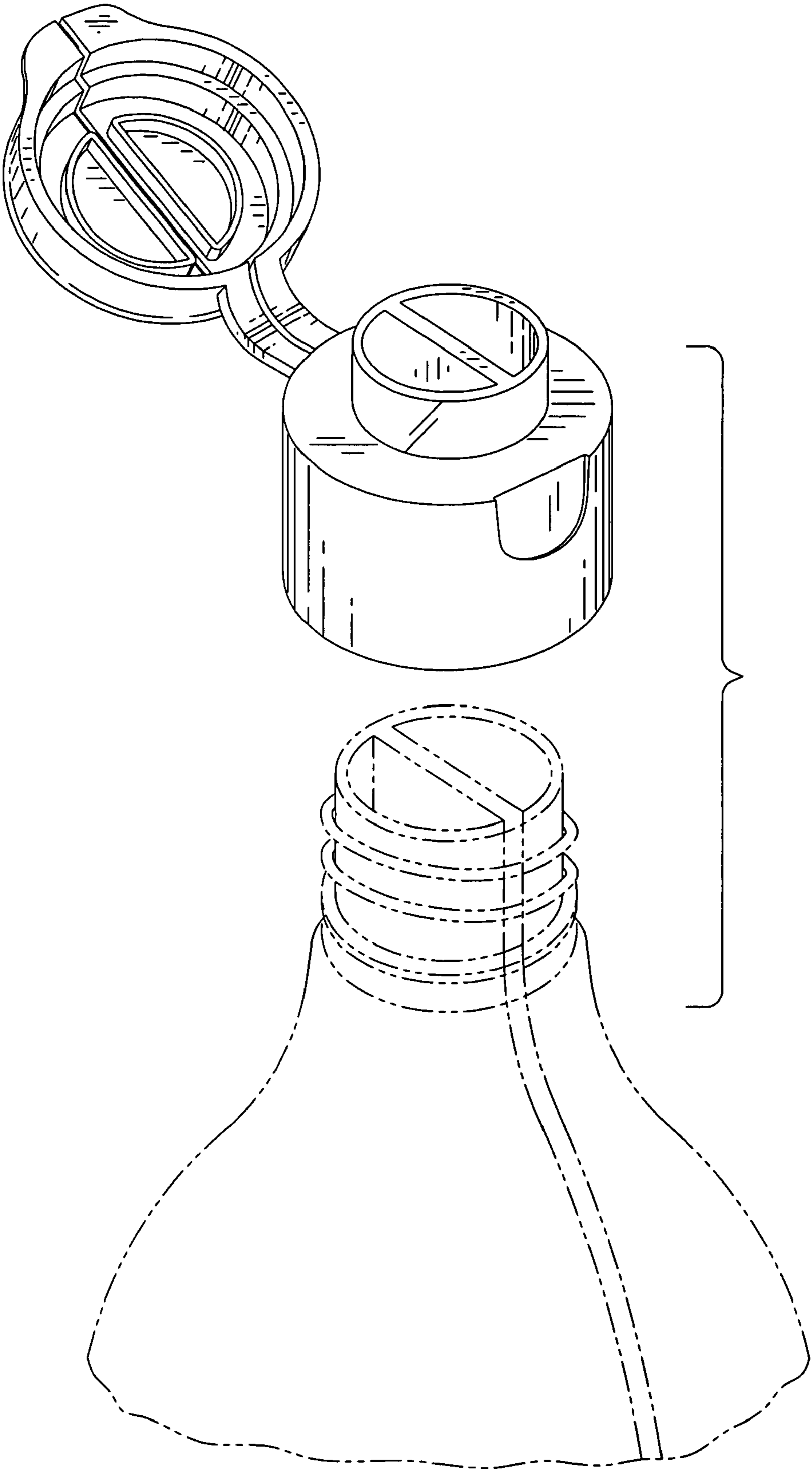


Fig. 1

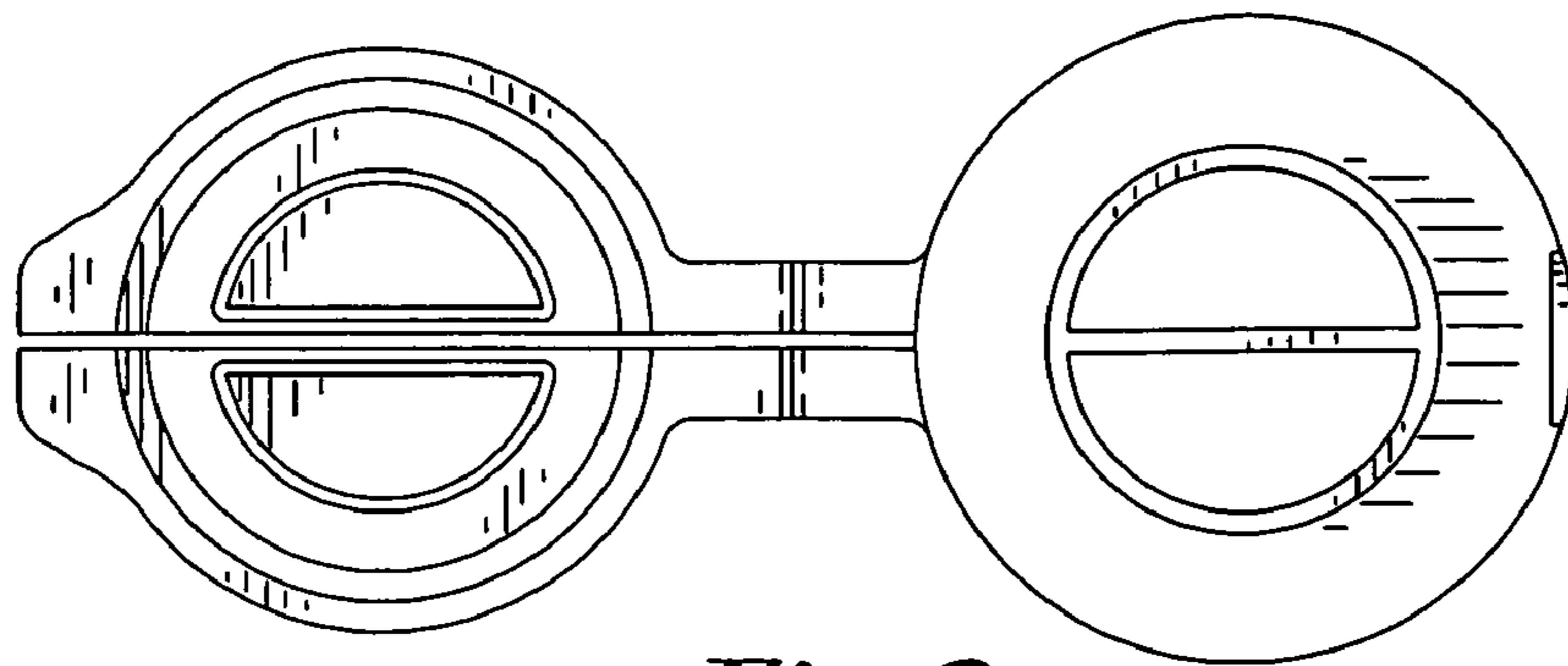


Fig. 2

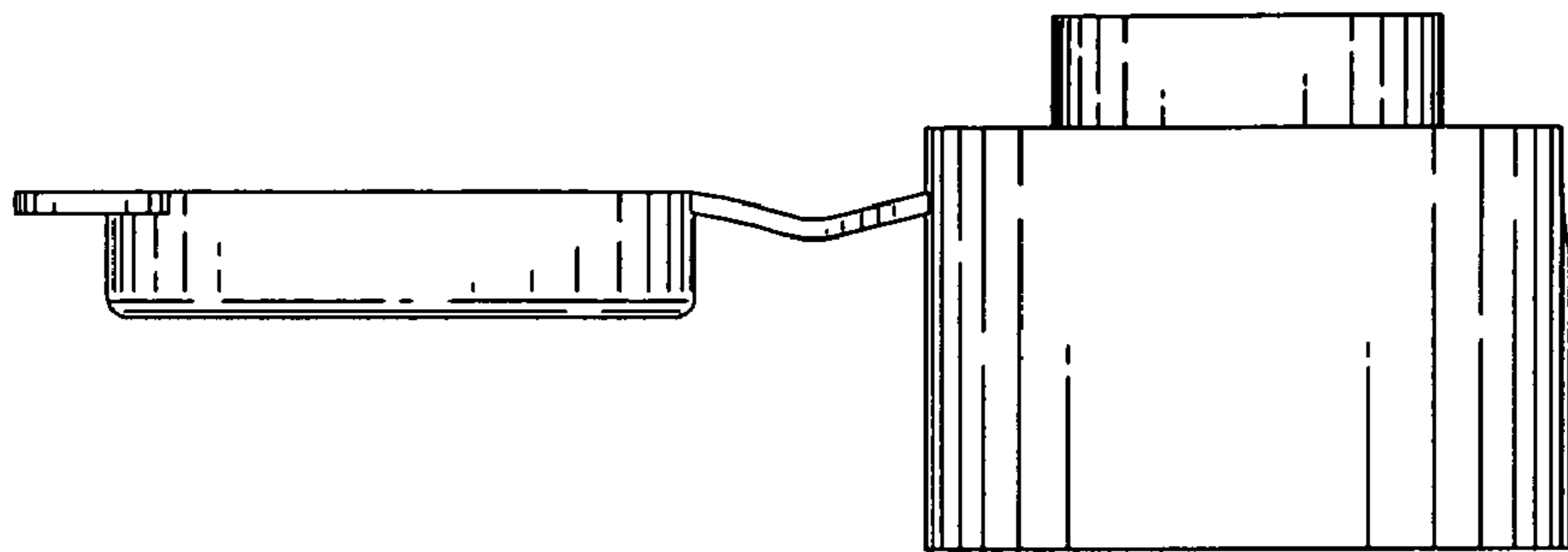


Fig. 3

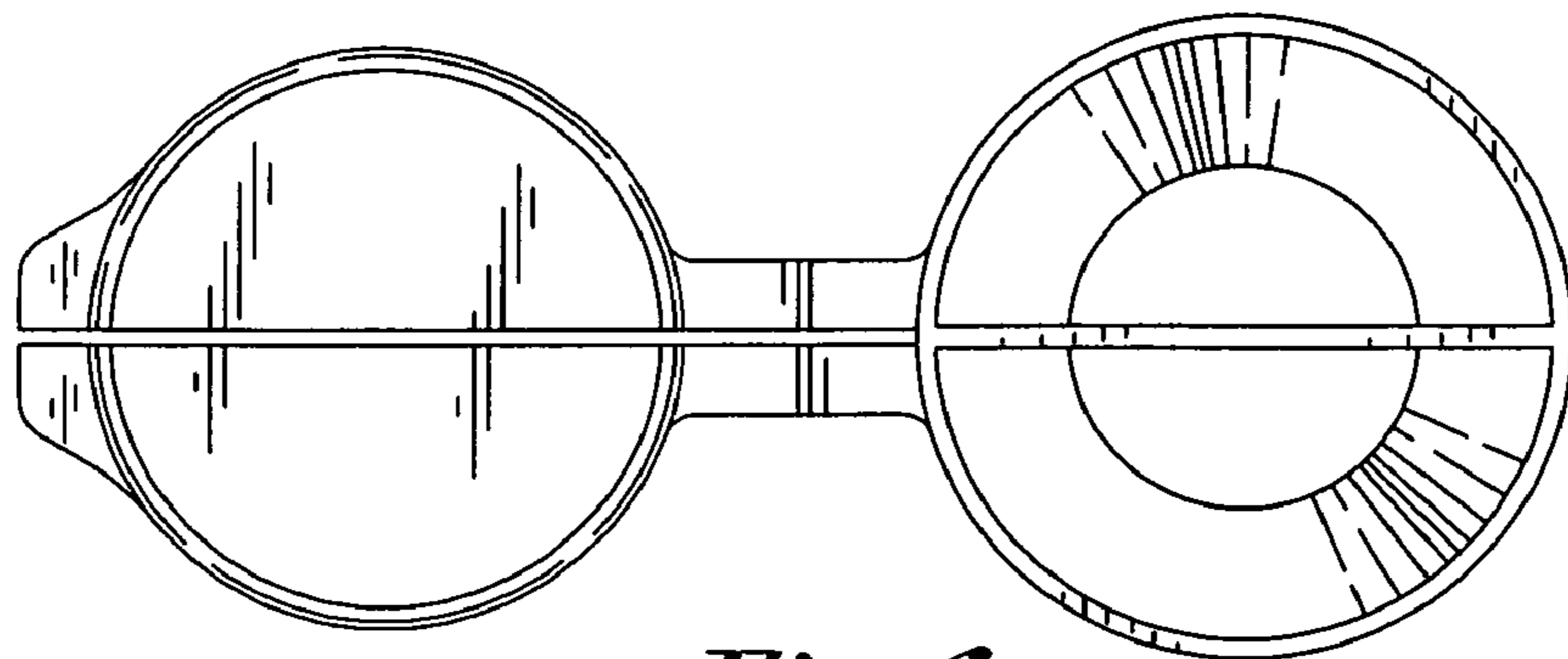


Fig. 4

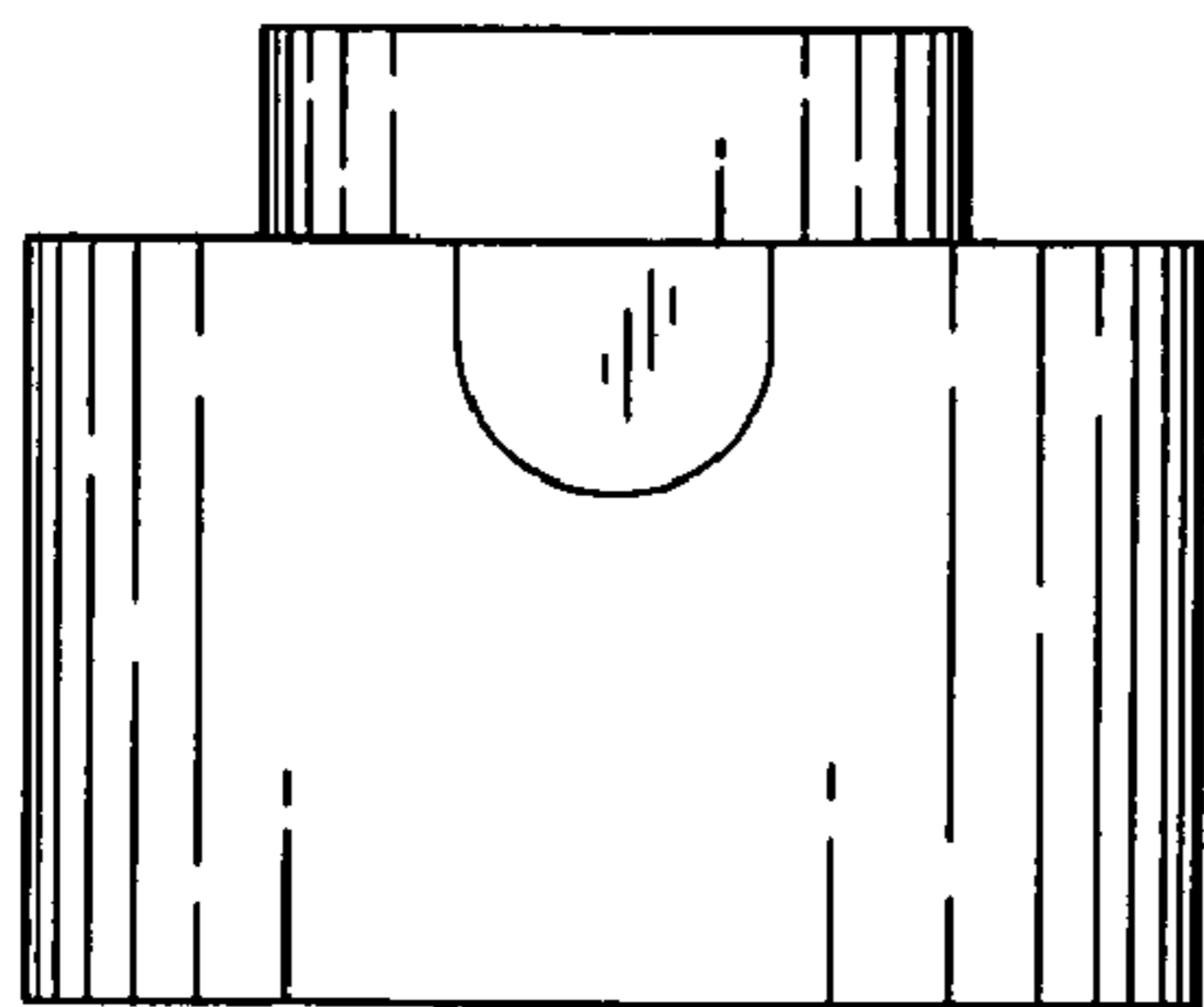


Fig. 5

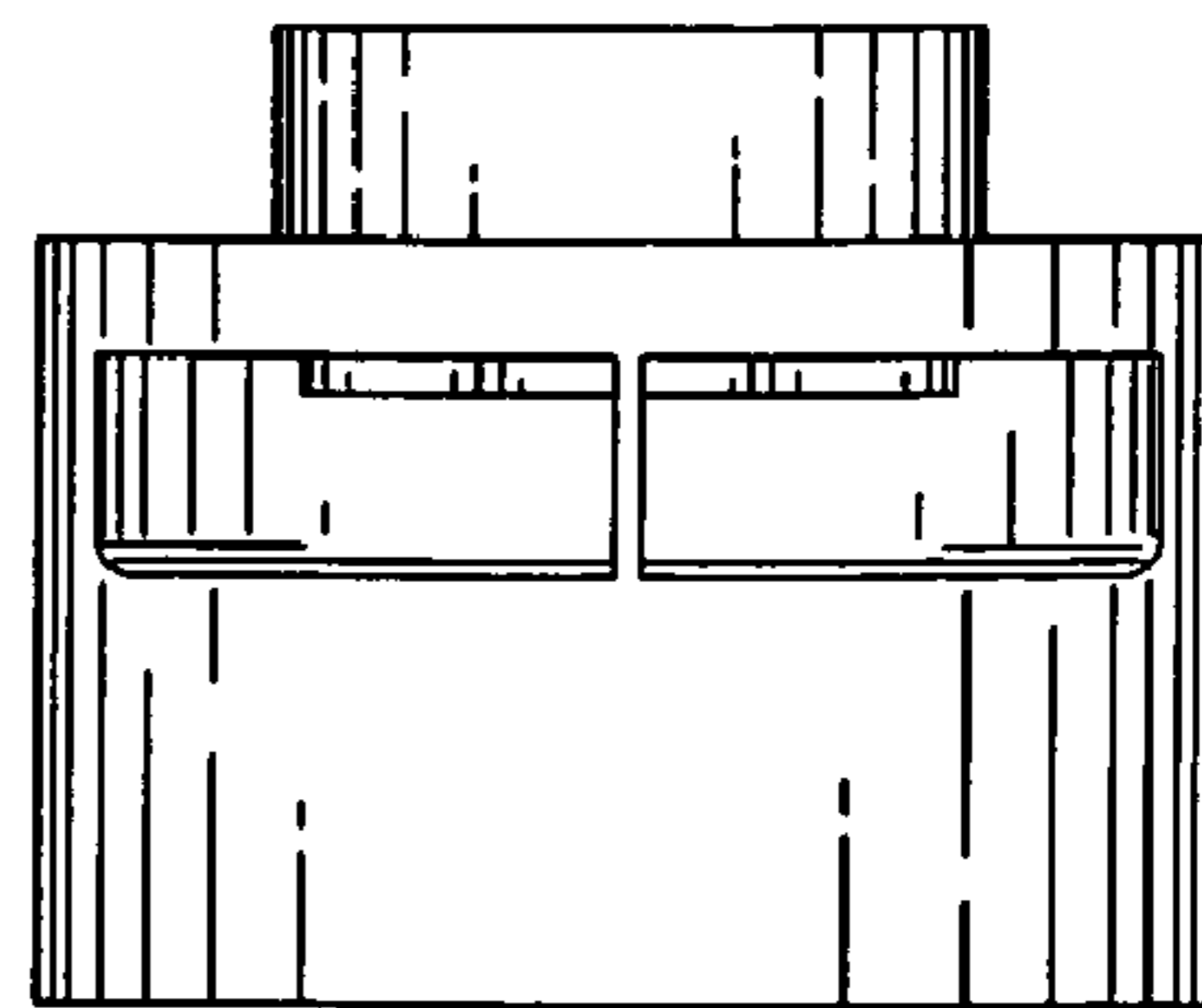


Fig. 6

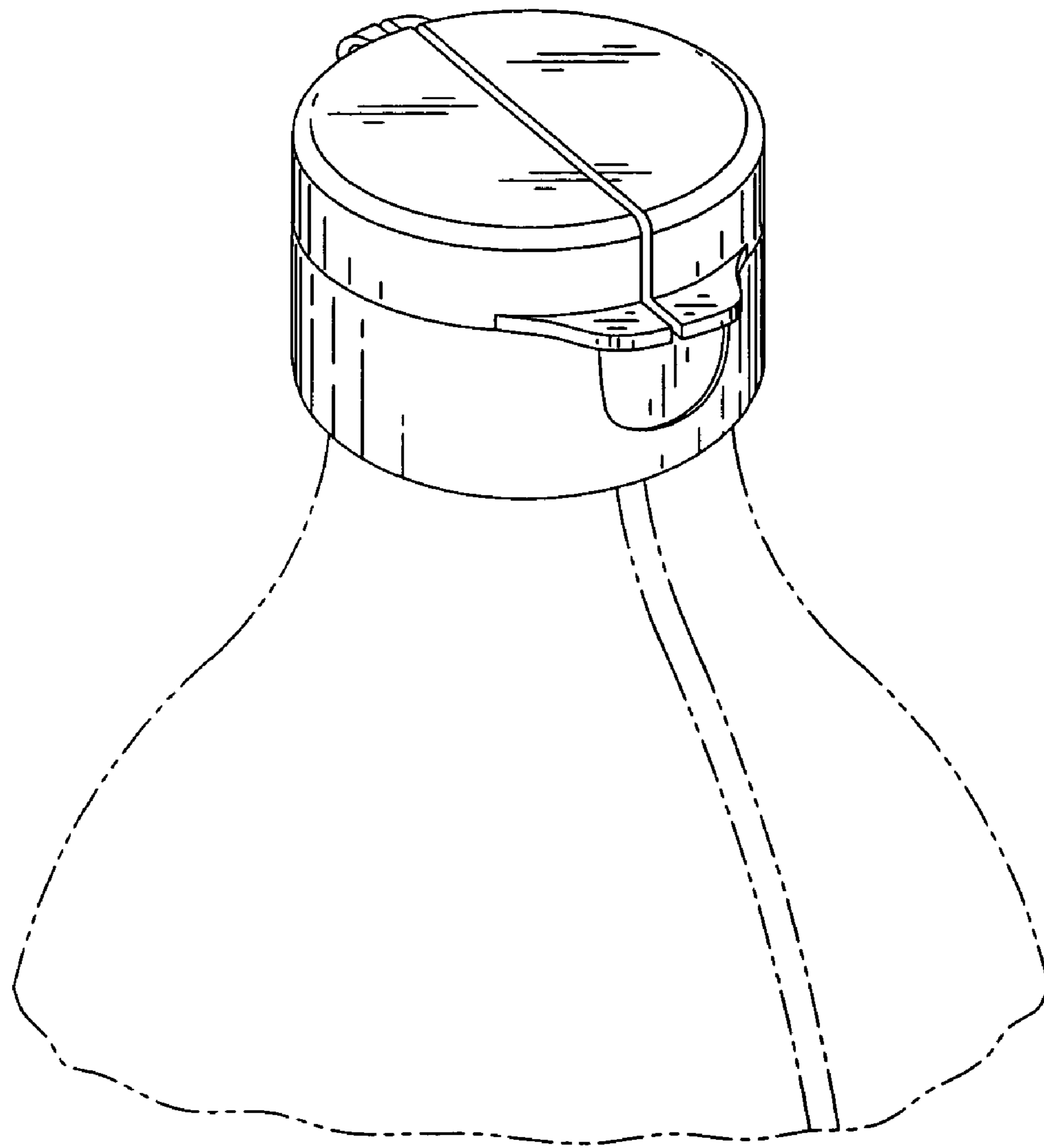


Fig. 7