



US00D585275S

(12) **United States Design Patent**  
**Young et al.**

(10) **Patent No.:** **US D585,275 S**  
(45) **Date of Patent:** **\*\* Jan. 27, 2009**

(54) **COFFEE LID SPILL STOPPER**

2007/0095833 A1 5/2007 Burns

(75) Inventors: **Kenneth Vivian Young**, Gardena, CA (US); **Michael Lasha Lincoln**, Los Angeles, CA (US)

FOREIGN PATENT DOCUMENTS

JP 2001-120414 5/2001  
WO WO 2007/053669 A2 5/2007

(73) Assignee: **Vivian-Linc, Inc.**, Inglewood, CA (US)

OTHER PUBLICATIONS

(\*\*) Term: **14 Years**

StixToGo, Inc., Catalog, <http://www.stixtogo.com/catalog/>, Jan. 24, 2007.

(21) Appl. No.: **29/250,937**

StixToGo, Inc., Catalog, <http://www.stixtogo.com/catalog/>, Jan. 29, 2007.

(22) Filed: **Dec. 6, 2006**

StixToGo, Inc., Company, [http://www.stixtogo.com/catalog/about\\_us.php](http://www.stixtogo.com/catalog/about_us.php), Jan. 29, 2007.

(51) **LOC (9) Cl.** ..... **09-07**

StixToGo, Inc., Stix Stories, <http://www.stixtogo.com/catalog/news.php>, Jan. 29, 2007.

(52) **U.S. Cl.** ..... **D9/439**

\* cited by examiner

(58) **Field of Classification Search** ..... D9/499,  
D9/445, 444, 439, 435, 434, 428, 600, 689,  
D9/529; D8/DIG. 2, 402, 312, 310, 353;  
D7/398, 387, 395; D24/196; D23/250; D22/116;  
220/802, 801, 713, 712, 254.7, 521; D1/128,  
D1/199; 16/421; D28/87

*Primary Examiner*—Susan B Hattan

(74) *Attorney, Agent, or Firm*—Steptoe & Johnson LLP

See application file for complete search history.

(57) **CLAIM**

The ornamental design for a coffee lid spill stopper, as shown and described.

(56) **References Cited**

**DESCRIPTION**

U.S. PATENT DOCUMENTS

FIG. 1 is a front view, showing front surface of the coffee lid spill stopper;

D16,849 S *	8/1886	Stauffer	.....	D1/128
D31,133 S *	7/1899	Lantz	.....	D24/100
1,487,749 A *	3/1924	Martus	.....	16/421
4,903,855 A	2/1990	Ducay et al.		
5,038,476 A	8/1991	McCrea		
5,102,129 A *	4/1992	Roberts	.....	D8/353
D389,698 S *	1/1998	Cohen et al.	.....	D7/395
D406,187 S *	3/1999	Garcia-Gutierrez	.....	D1/199
D451,009 S *	11/2001	Davis	.....	D9/600
D499,653 S *	12/2004	Karim	.....	D9/529
D525,120 S *	7/2006	Maskell et al.	.....	D9/428
2005/0284874 A1	12/2005	Lucks		
2006/0278653 A1	12/2006	Zeyfang et al.		
2007/0023442 A1	2/2007	Auzenne		

FIG. 2 is an end view, showing the end of the stopper which projects out of an opening in a container;

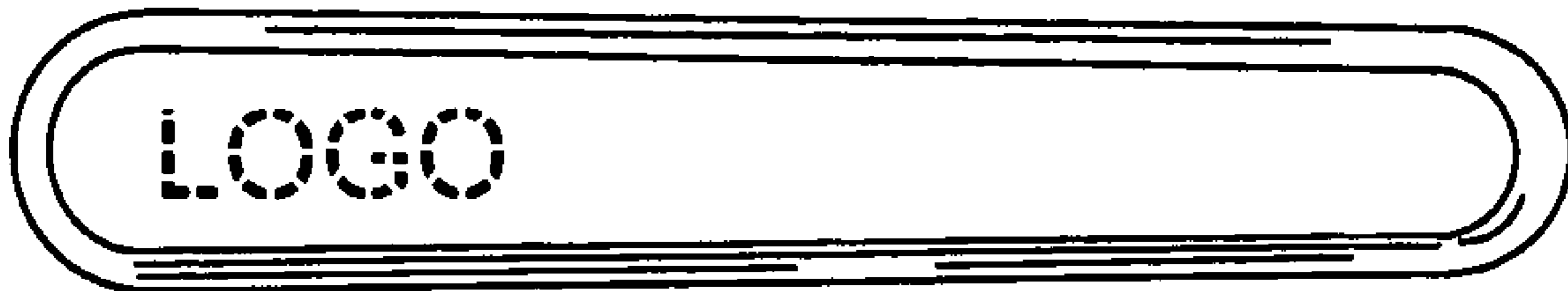
FIG. 3 is an end view, showing the end of the stopper that is inserted into an opening in a container;

FIG. 4 is a side view, showing the side of the stopper; and,

FIG. 5 is a view of the stopper in use, plugging an opening in a container.

The broken lines in the drawings depict environmental subject matter only and form no part of the claimed design.

**1 Claim, 1 Drawing Sheet**



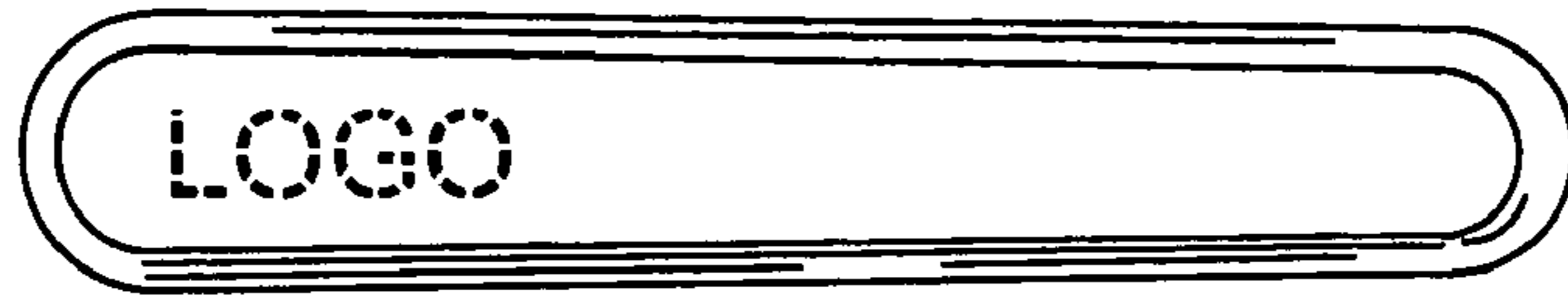


FIG. 1

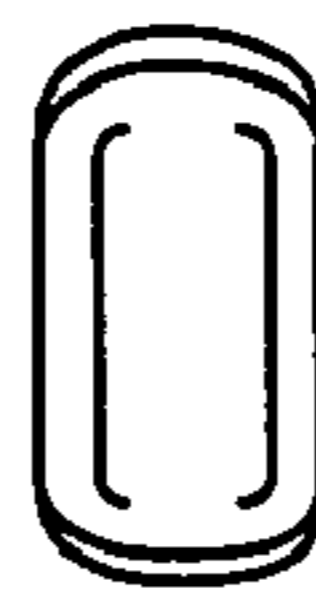


FIG. 2

FIG. 3



FIG. 4

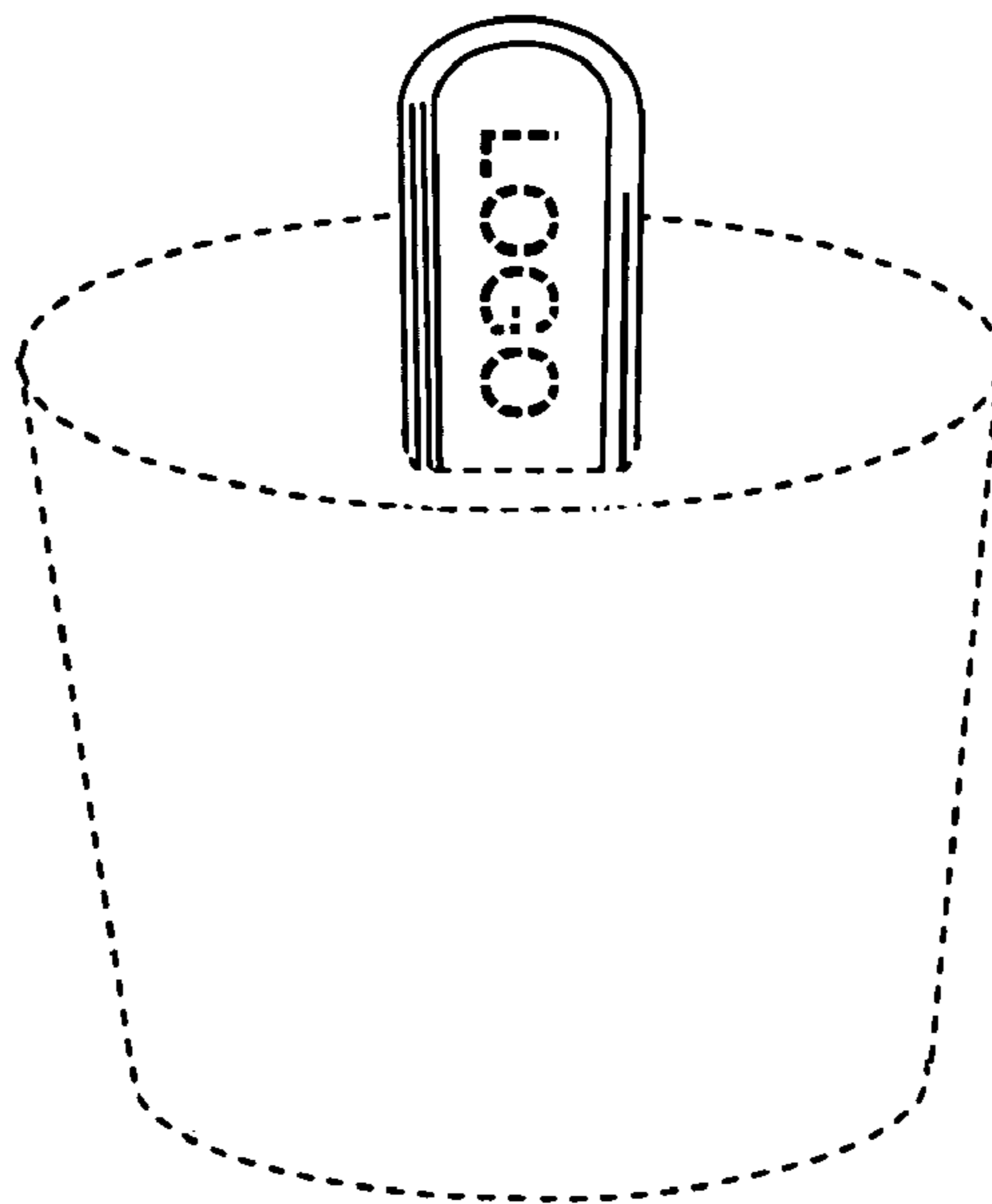


FIG. 5