



US00D585268S

(12) **United States Design Patent**
Woolley

(10) **Patent No.:** **US D585,268 S**

(45) **Date of Patent:** **** Jan. 27, 2009**

(54) **SHOWER CURTAIN ROD BRACKET**

(75) Inventor: **Patrick Woolley**, Rockford, MI (US)

(73) Assignee: **WT International, Inc.**, Rockford, MI (US)

(**) Term: **14 Years**

(21) Appl. No.: **29/320,653**

(22) Filed: **Jul. 1, 2008**

(51) **LOC (9) Cl.** **08-05**

(52) **U.S. Cl.** **D8/380**

(58) **Field of Classification Search** D8/381,
D8/380, 373, 363, 359, 358, 354, 350, 349;
D34/17; D14/253; D13/154; D12/211;
D10/72; 33/769; 248/264, 251, 916; 242/608.8,
242/608.4, 601, 600, 570, 395, 370; 137/355.27,
137/355.23; 104/113

See application file for complete search history.

(56) **References Cited**

U.S. PATENT DOCUMENTS

328,562	A *	10/1885	Beckman	248/264
805,570	A *	11/1905	Maldaner	248/264
1,235,476	A *	7/1917	Hoff	248/251
D207,403	S *	4/1967	Schulke	D14/253
D236,213	S *	8/1975	Paterson	D14/253

4,653,714	A *	3/1987	Andrasko, Jr.	248/251
4,700,918	A *	10/1987	Andrasko, Jr.	248/251
D319,573	S *	9/1991	Rogers	D8/380
D439,140	S *	3/2001	Jokinen et al.	D8/363
D470,038	S *	2/2003	Lapp et al.	D8/380
D547,165	S *	7/2007	Barrese	D8/380

* cited by examiner

Primary Examiner—Susan B Hattan

(74) *Attorney, Agent, or Firm*—Price Heveneld Cooper Dewitt & Litton LLP

(57) **CLAIM**

I claim the ornamental design for a shower curtain rod bracket, as shown and described.

DESCRIPTION

FIG. 1 is a perspective view of a shower curtain rod bracket showing my new design;

FIG. 2 is a front view thereof;

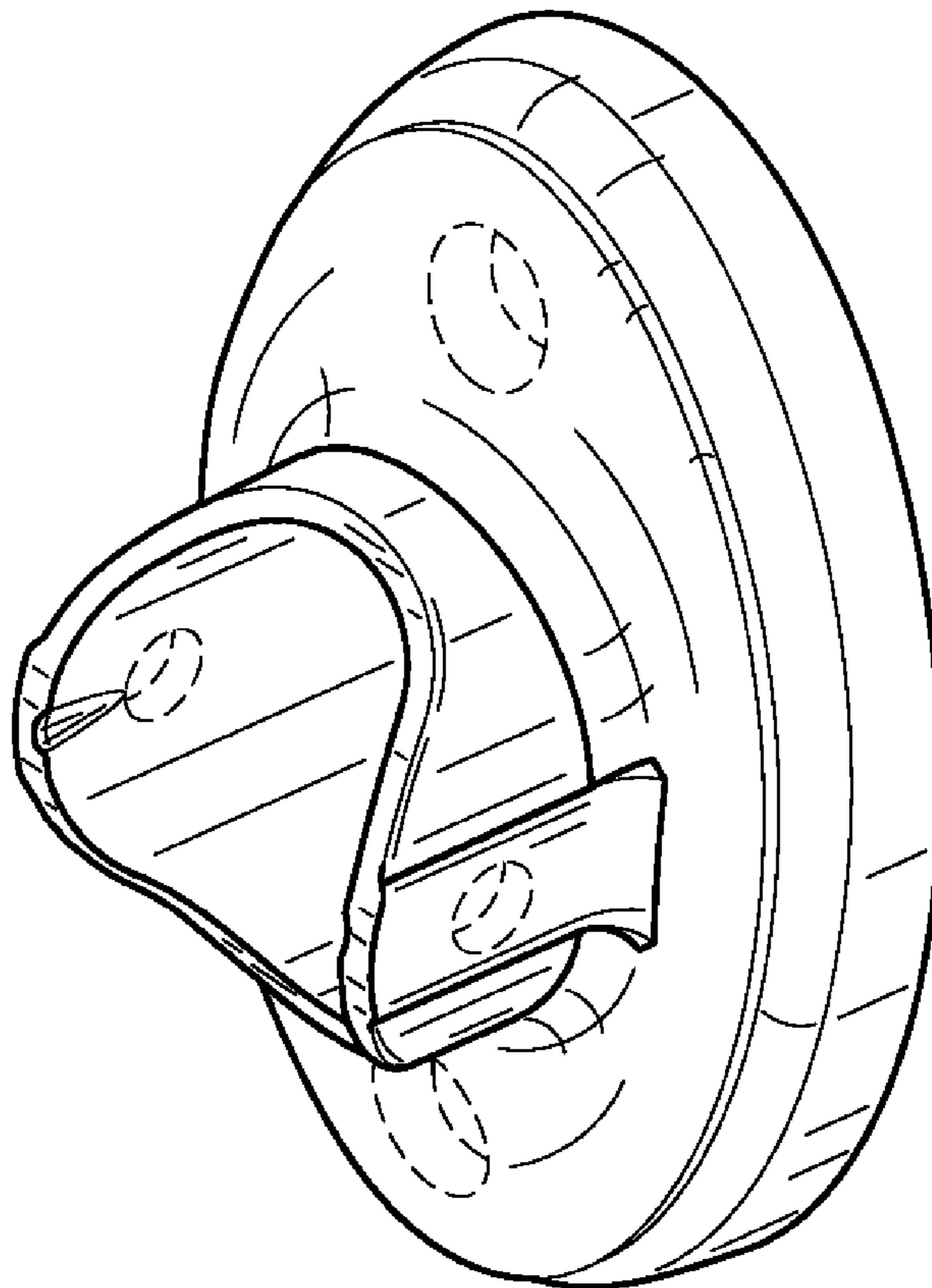
FIG. 3 is a side view thereof;

FIG. 4 is an end view thereof; and,

FIG. 5 is a rear view thereof.

The broken lines in the drawings depict environmental subject matter only and form no part of the claimed design.

1 Claim, 1 Drawing Sheet



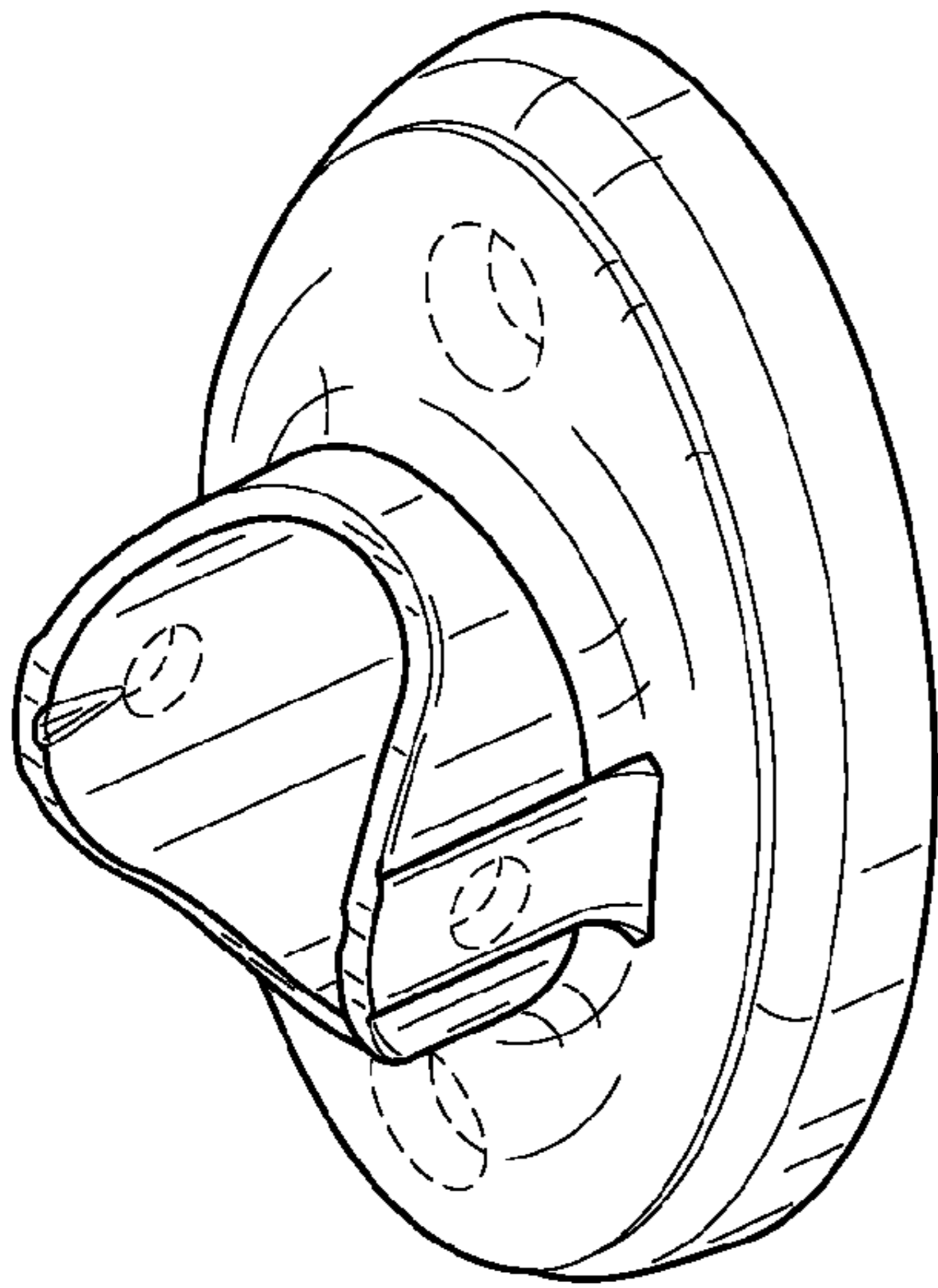


FIG. 1

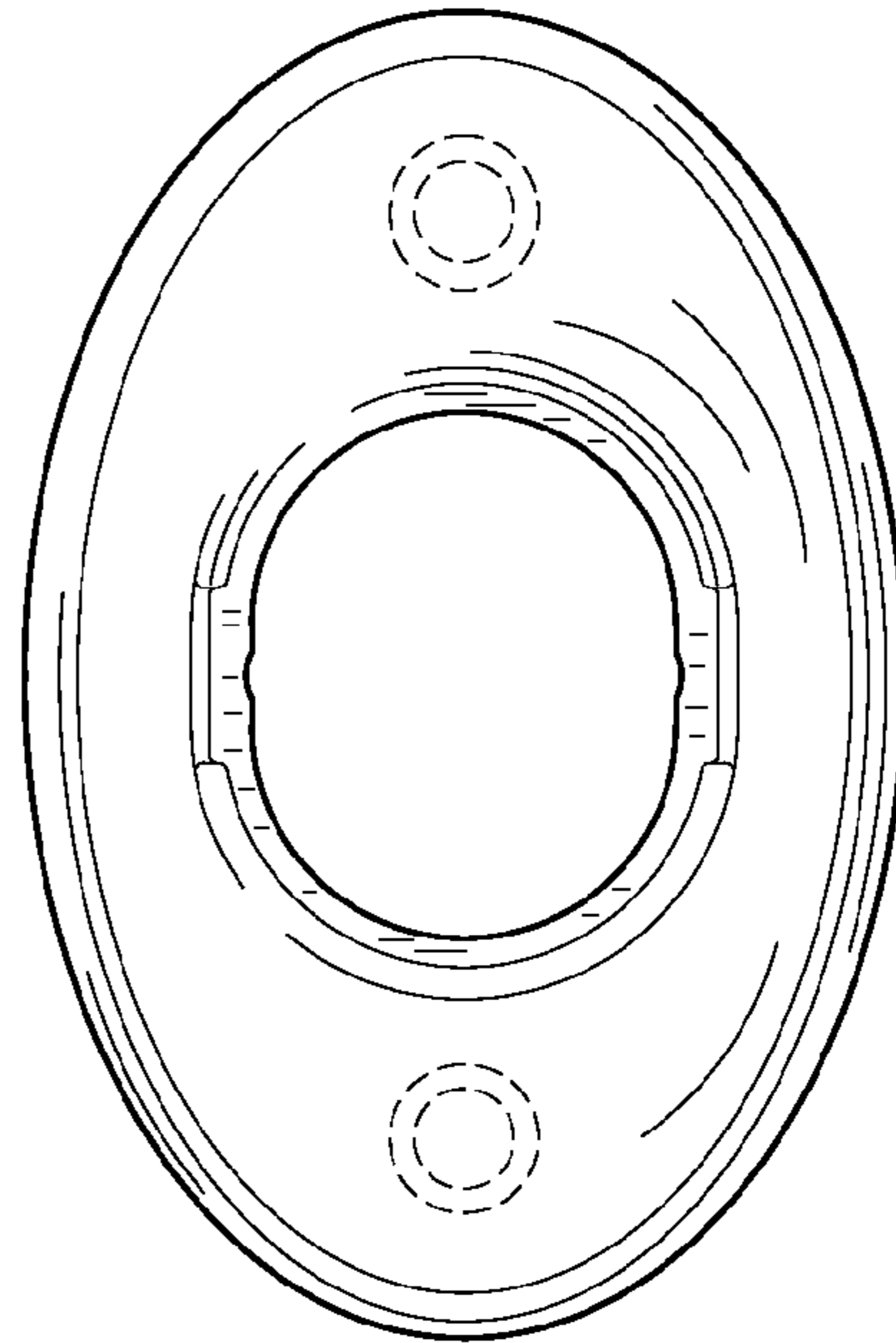


FIG. 2

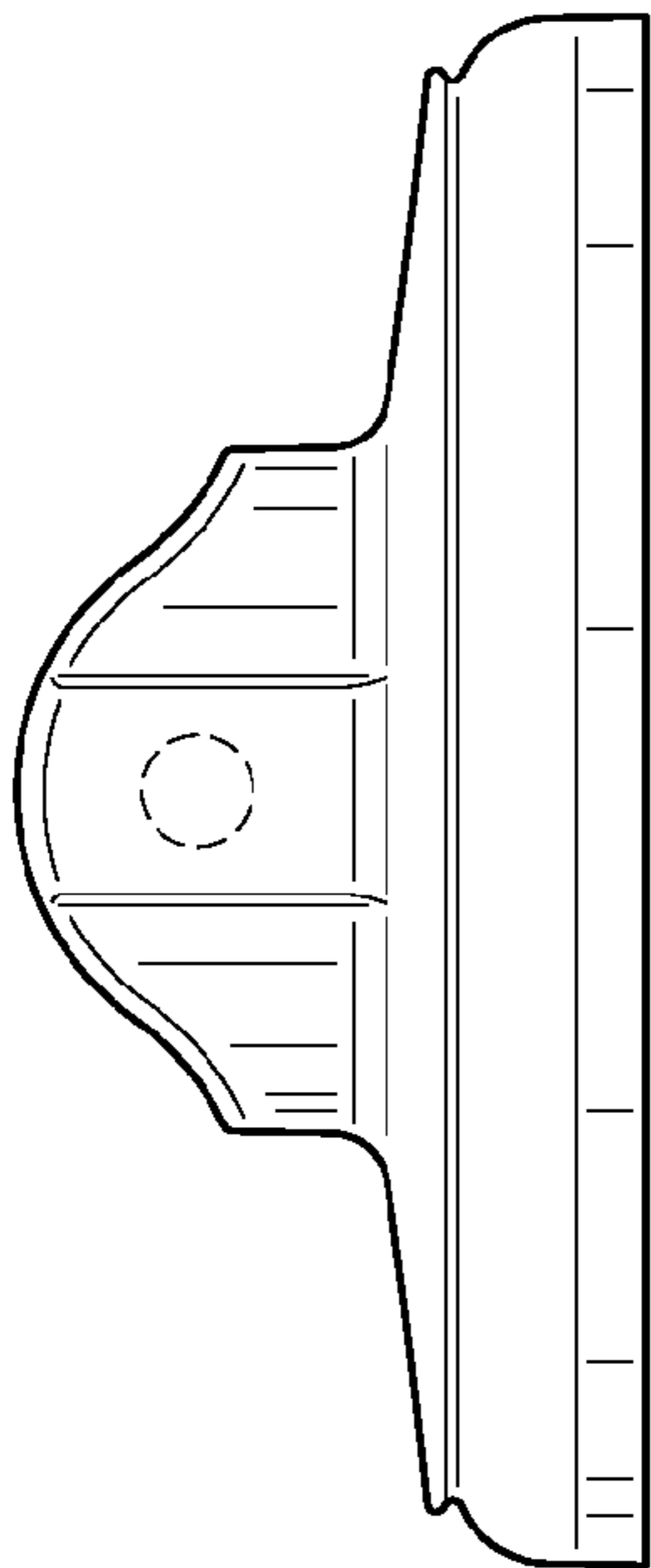


FIG. 3

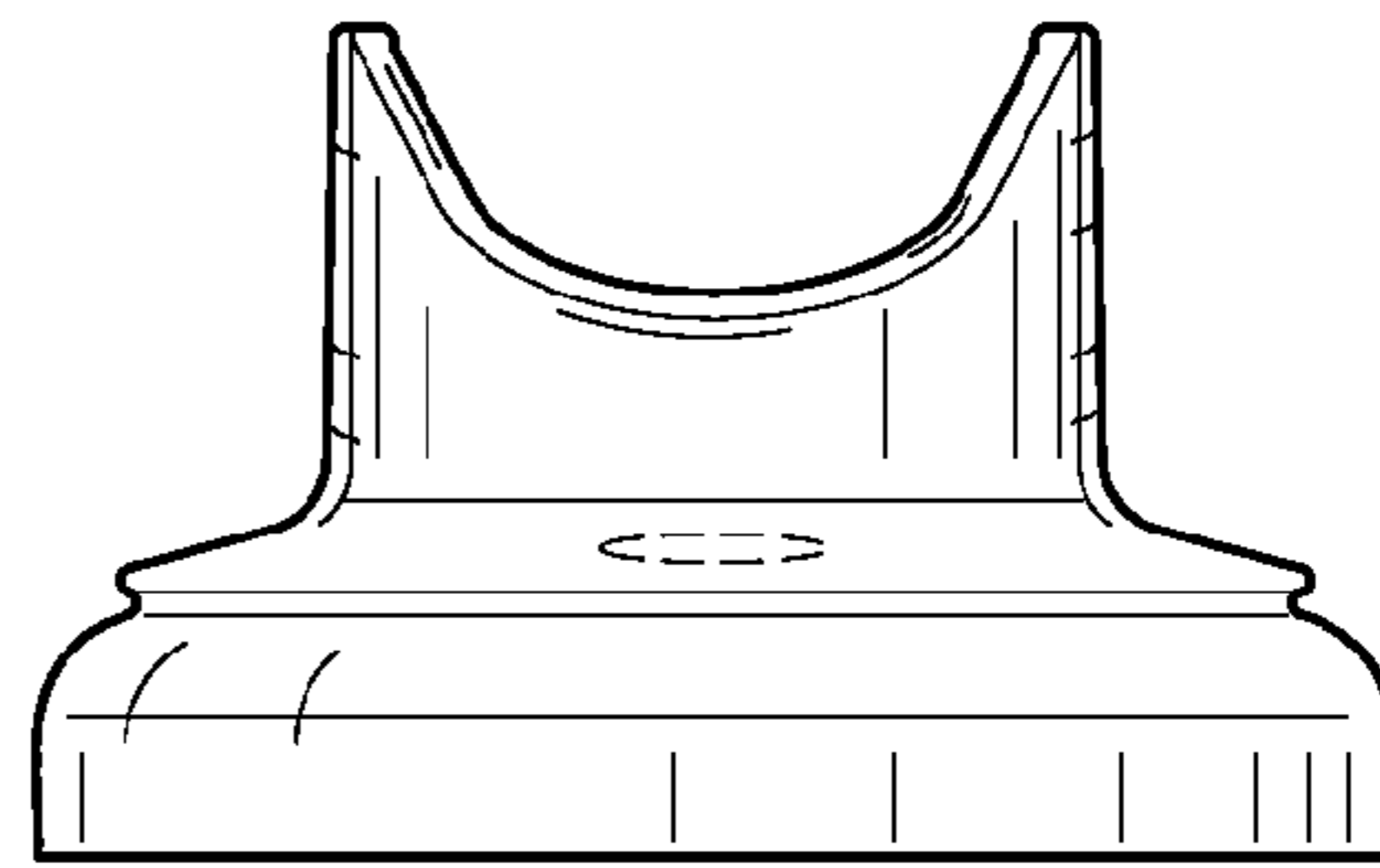


FIG. 4

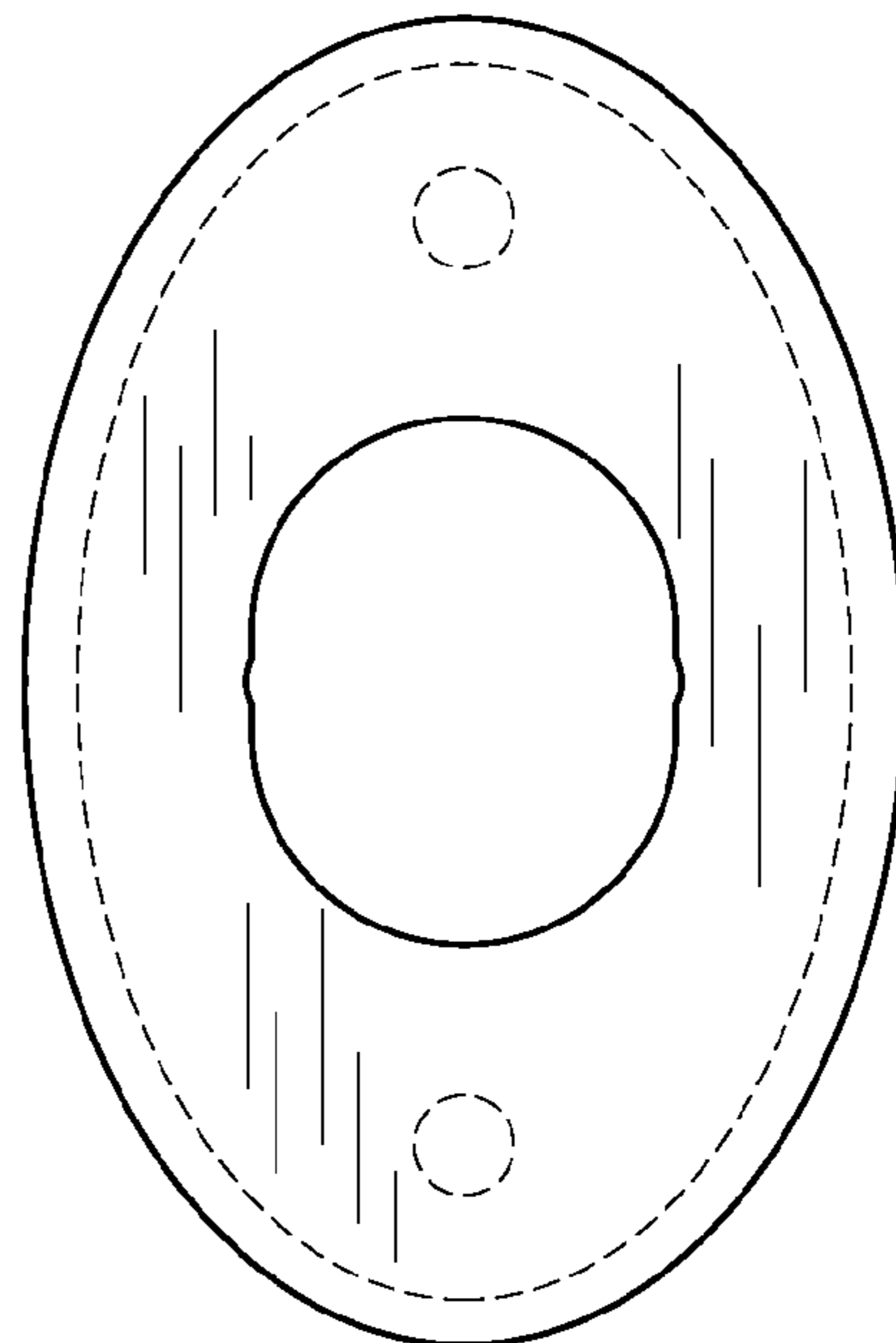


FIG. 5