



US00D585267S

(12) **United States Design Patent**
Di Vinadio

(10) **Patent No.:** **US D585,267 S**

(45) **Date of Patent:** **** Jan. 27, 2009**

(54) **DRIVE ROD FOR DOORS AND WINDOWS**

D543,094 S * 5/2007 Remmers D8/377
D545,671 S * 7/2007 Costa D8/377

(75) Inventor: **Aimone Balbo Di Vinadio**, Chiusa San Michele (IT)

* cited by examiner

(73) Assignee: **Savio S.p.A.**, Turin (IT)

Primary Examiner—Robert M Spear
Assistant Examiner—Barbara B Lohr

(**) Term: **14 Years**

(74) *Attorney, Agent, or Firm*—Patterson & Sheridan, LLP

(21) Appl. No.: **29/282,825**

(57) **CLAIM**

(22) Filed: **Jul. 30, 2007**

The ornamental design for a drive rod for doors and windows, as shown and described.

(51) **LOC (9) Cl.** **08-05**

(52) **U.S. Cl.** **D8/377**

(58) **Field of Classification Search** D8/358,
D8/363, 376, 377, 380, 387; 2/462; 114/361;
D25/77, 78, 124; 16/91, 94 D; 248/265;
160/22, 345; 4/607

See application file for complete search history.

DESCRIPTION

FIG. 1 is a first perspective view of our new design;
FIG. 2 is a second perspective view of our new design;
FIG. 3 is a first side view of our new design;
FIG. 4 is a second side view of our new design;
FIG. 5 is a first end view of our new design;
FIG. 6 is a second end view of our new design;
FIG. 7 is a front view of our new design; and,
FIG. 8 is a back view of our new design.

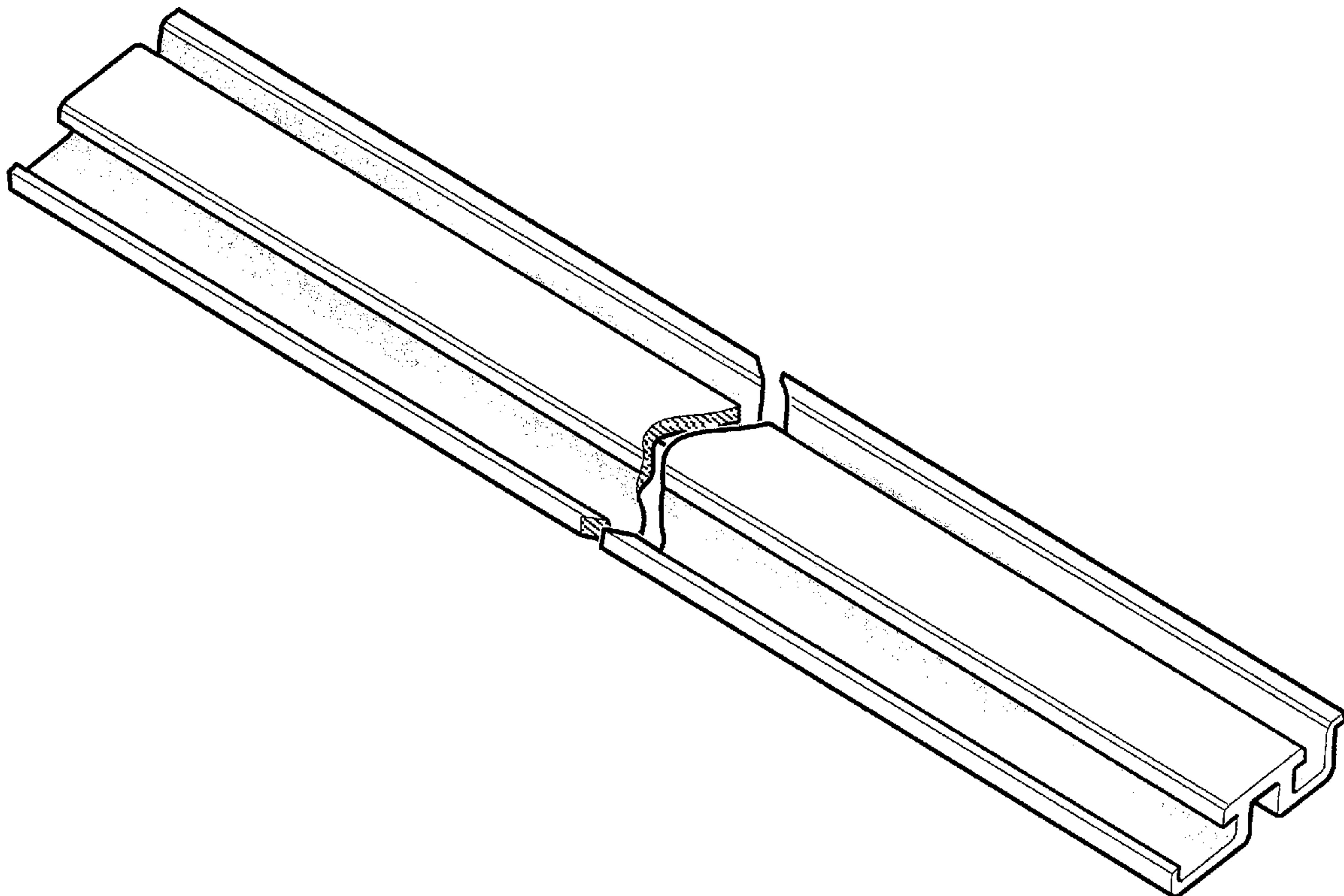
The drawings, the drive rod for doors and windows are shown broken away to indicate that the claimed design has no particular length.

(56) **References Cited**

U.S. PATENT DOCUMENTS

D215,697 S *	10/1969	Toder	D8/377
D376,754 S *	12/1996	Livingston et al.	D8/377
D381,890 S *	8/1997	Levy	D8/377
D387,973 S *	12/1997	Layman	D8/377
D455,338 S *	4/2002	Moser	D8/387
D488,055 S *	4/2004	Ter Braak	D8/377
D502,090 S *	2/2005	Castellanos	D8/377
D541,140 S *	4/2007	Allen et al.	D8/377

1 Claim, 5 Drawing Sheets



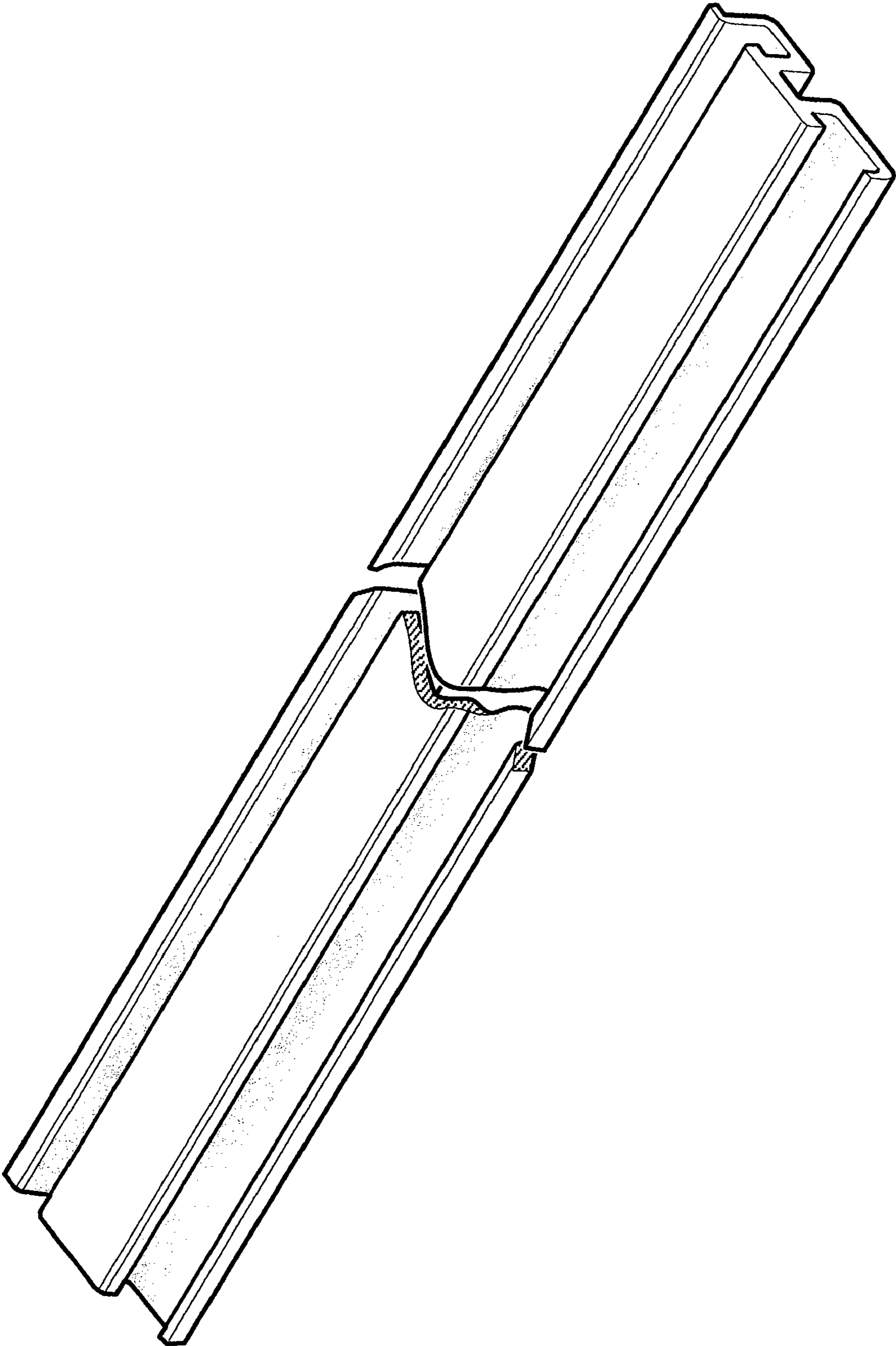


FIG. 1

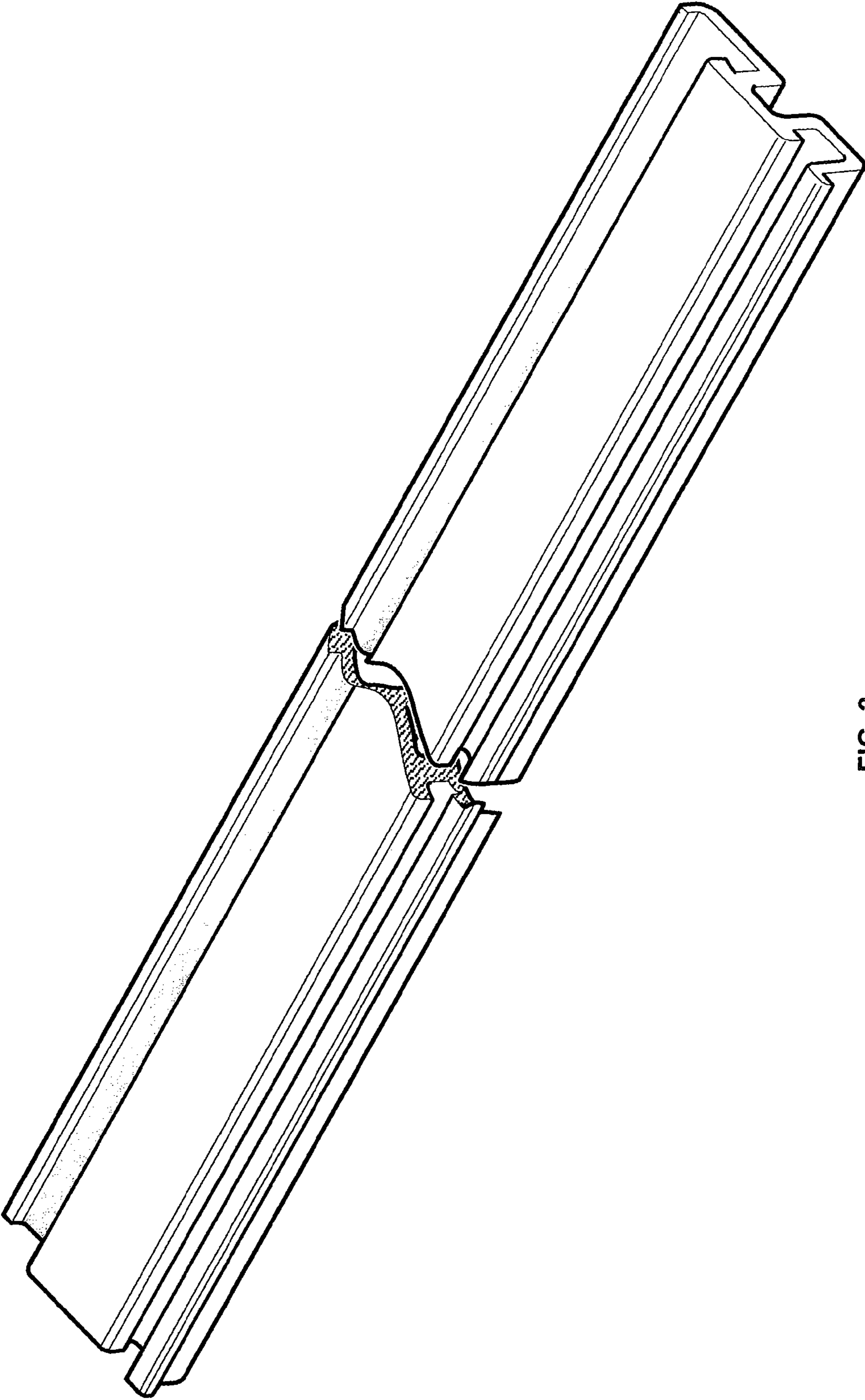


FIG. 2

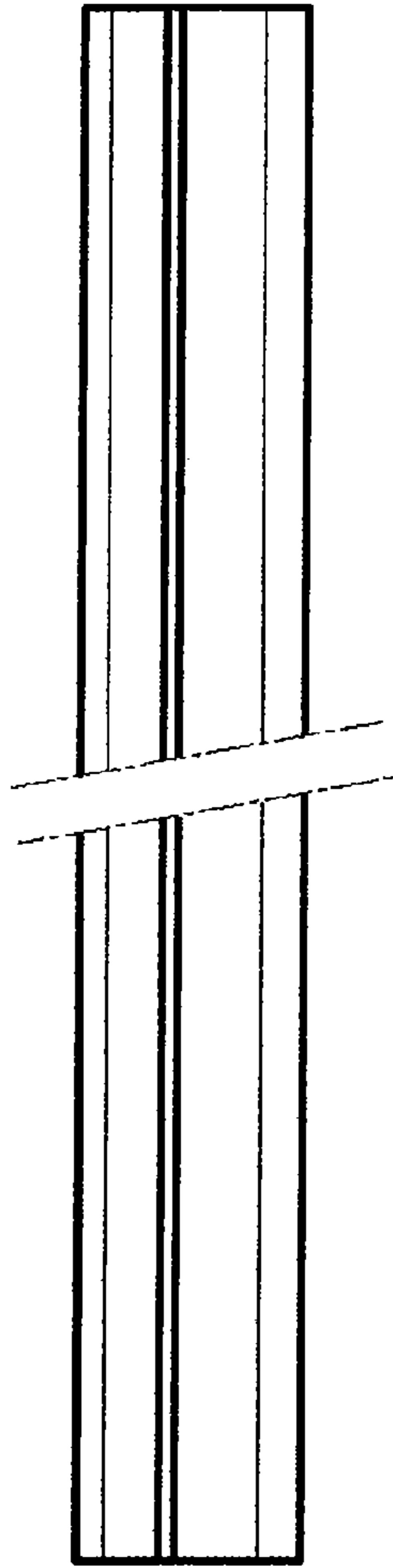


FIG. 3

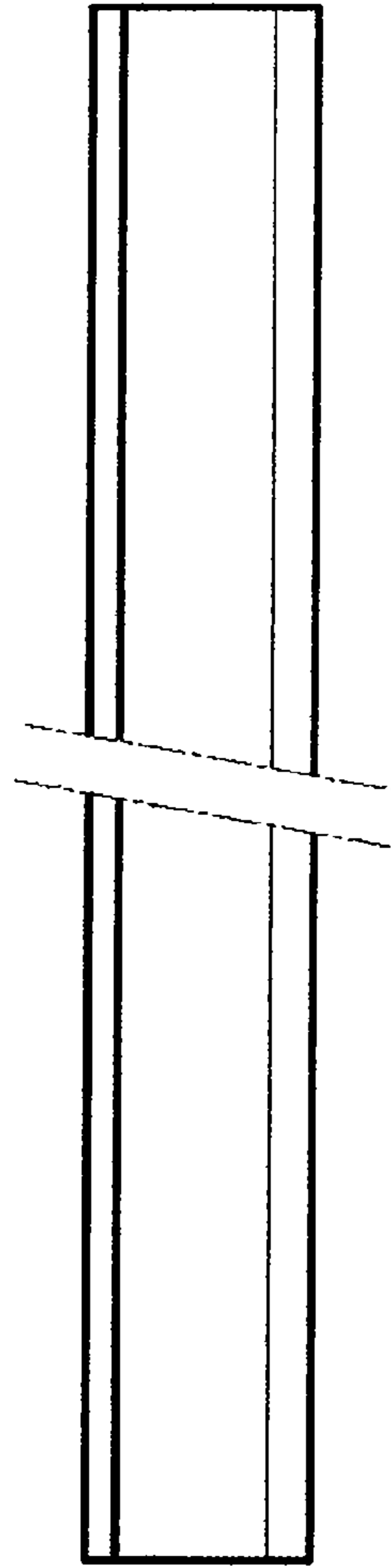


FIG. 4

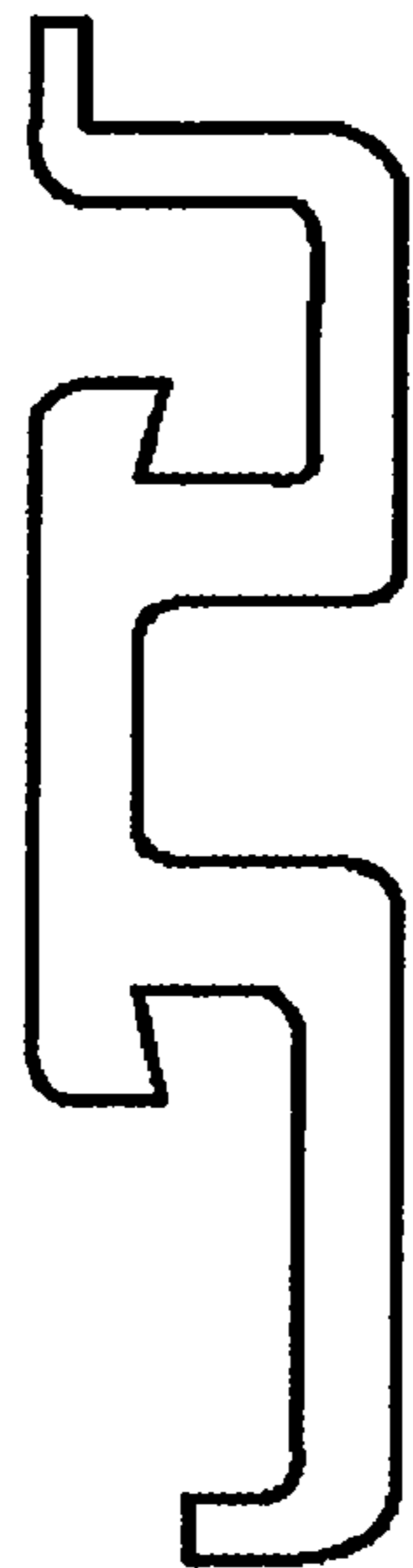


FIG. 5

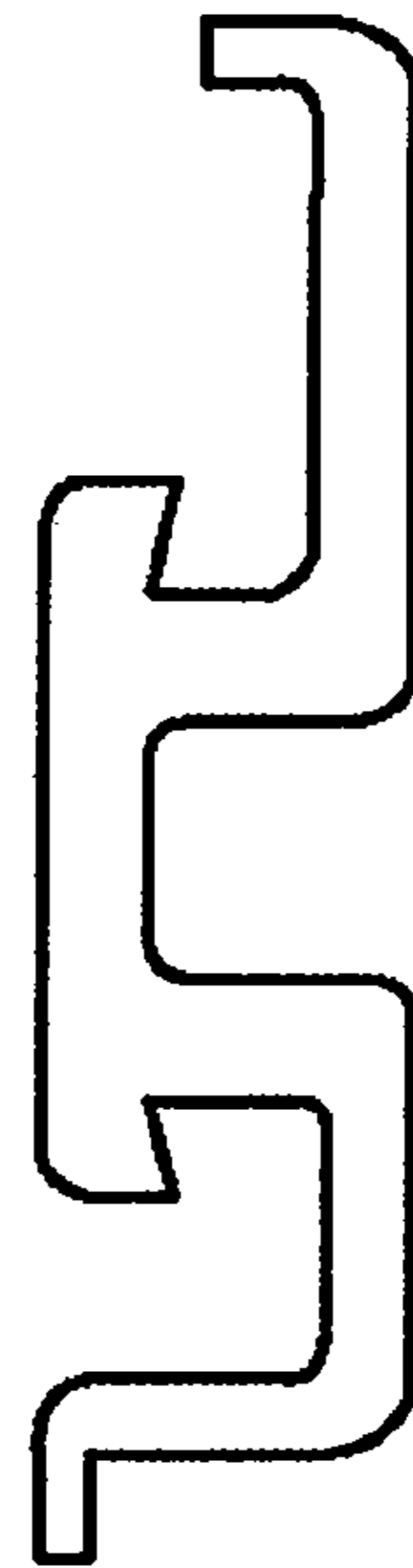


FIG. 6

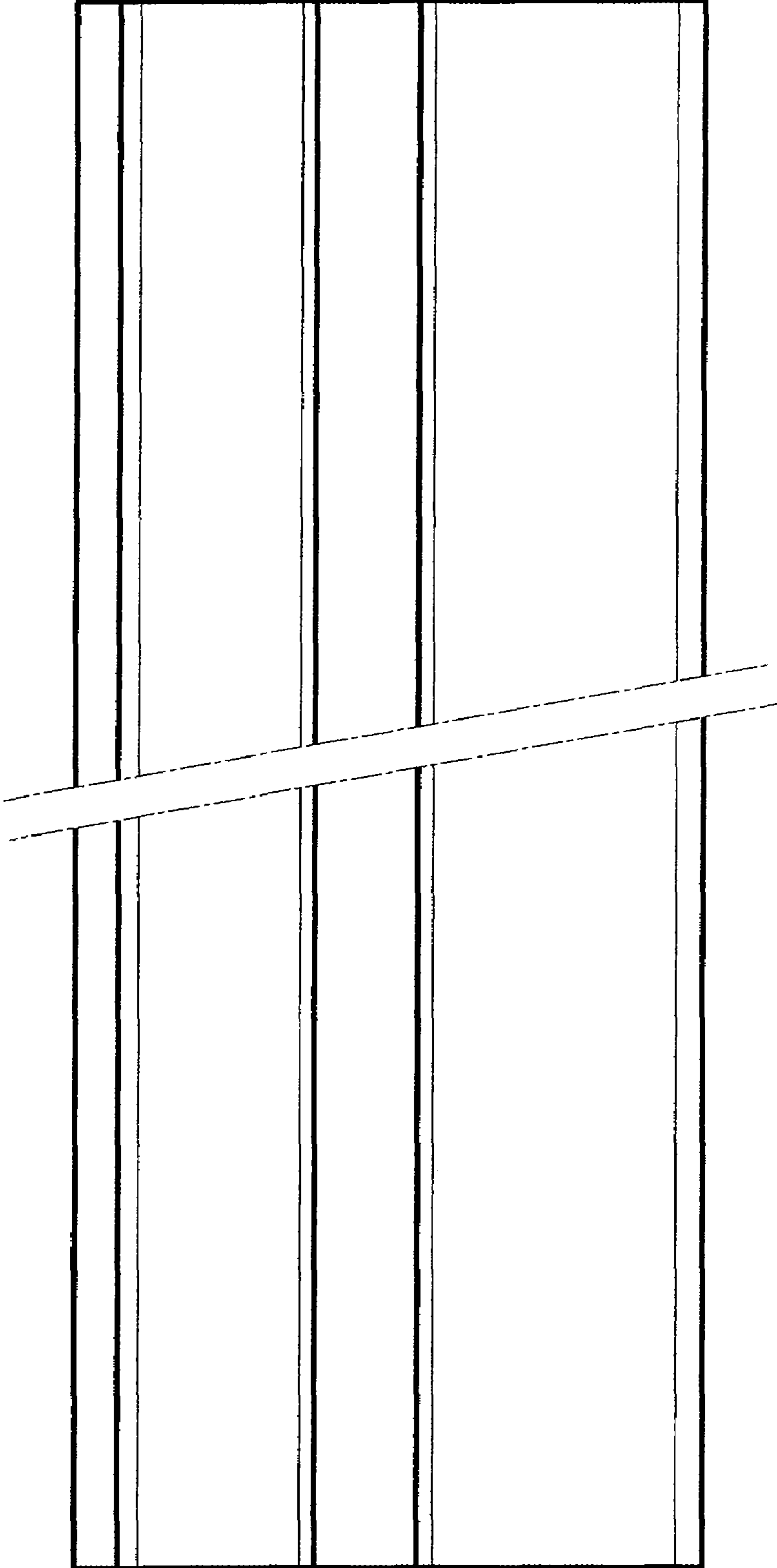


FIG. 7

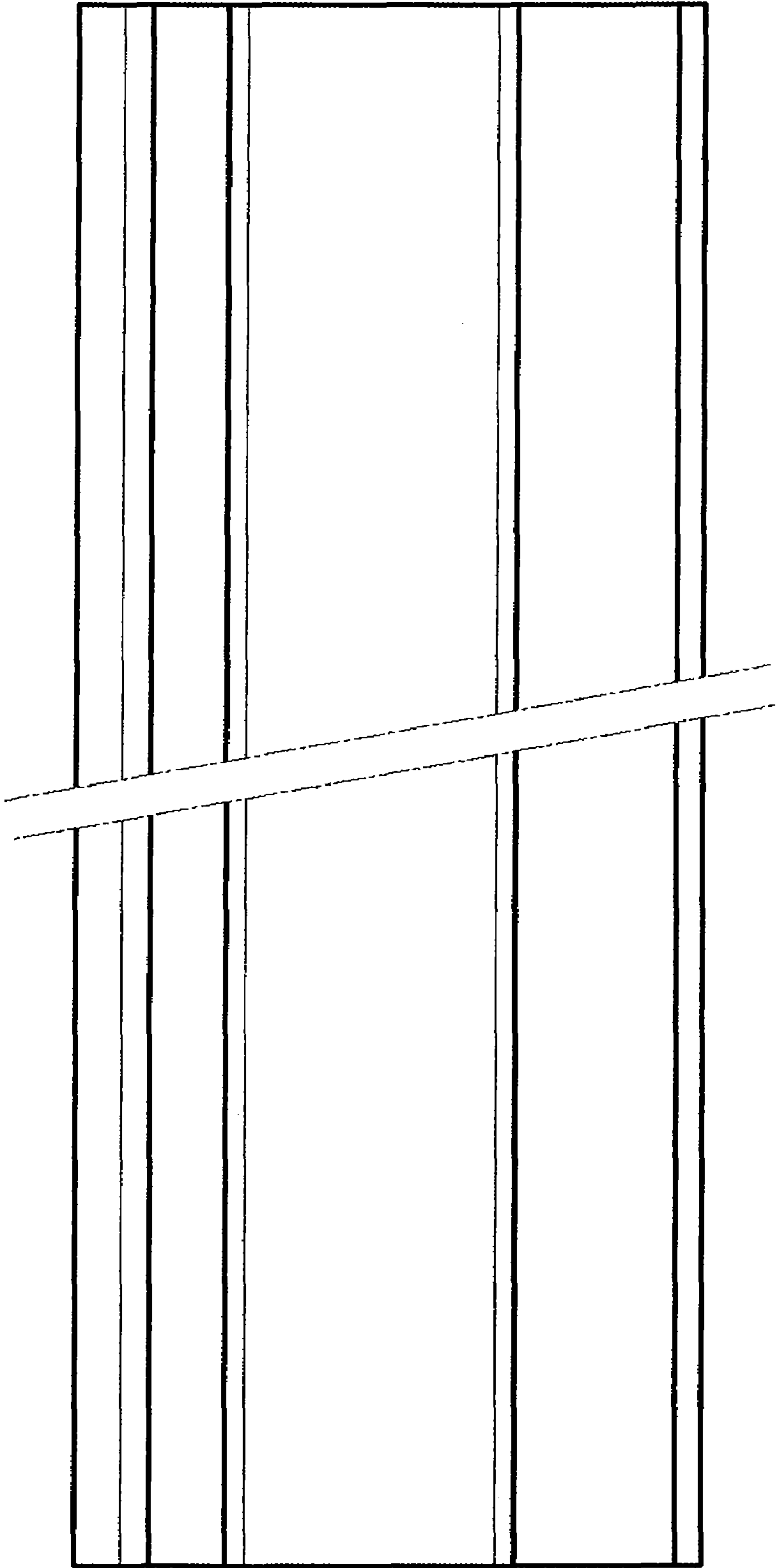


FIG. 8