



US00D585264S

(12) **United States Design Patent**
Stuckey

(10) **Patent No.:** **US D585,264 S**
(45) **Date of Patent:** **** Jan. 27, 2009**

(54) **HANDLE**

(75) Inventor: **David Martin Stuckey**, Victoria (AU)

(73) Assignee: **Burgundy Trial Pty Ltd** (AU)

(**) Term: **14 Years**

(21) Appl. No.: **29/317,921**

(22) Filed: **May 9, 2008**

(30) **Foreign Application Priority Data**

Nov. 13, 2007 (AU) 20784/2007

(51) **LOC (9) Cl.** **08-06**

(52) **U.S. Cl.** **D8/321; D8/320**

(58) **Field of Classification Search** D8/300,
D8/301, 302, 305, 306, 307-313, 315-318,
D8/319-322, DIG. 1, DIG. 2, DIG. 10, 330,
D8/345, 341, 400; D15/89; D7/393, 394;
D3/318; D6/549, 524, 533, 550, 546; D23/303,
D23/304, 305, 250-254; 16/441, 118, 110 R,
16/111 R, DIG. 19, DIG. 30, 110.1, 412,
16/414-420, 443-446; 292/336.3; 211/16,
211/182; 220/752-754

See application file for complete search history.

(56) **References Cited**

U.S. PATENT DOCUMENTS

D138,908 S * 9/1944 Stone et al. D8/302

D138,911 S * 9/1944 Stone D8/302
D178,589 S * 8/1956 Amdall D8/300
D191,920 S * 12/1961 Hale et al. D8/302
D191,921 S * 12/1961 Hale et al. D8/302
D192,161 S * 2/1962 Amdall D8/302
D193,178 S * 7/1962 Meidell D8/302
D391,468 S * 3/1998 Doxey et al. D8/313
D411,433 S * 6/1999 Swan et al. D8/306
D491,038 S * 6/2004 Denys D8/319
D491,039 S * 6/2004 Denys D8/320
D524,139 S * 7/2006 Burns et al. D8/302

* cited by examiner

Primary Examiner—Stella M Reid

Assistant Examiner—Mark A Goodwin

(74) *Attorney, Agent, or Firm*—Craig A. Fieschko, Esq.;
DeWitt Ross & Stevens S.C.

(57) **CLAIM**

The ornamental design for a handle, as shown and described.

DESCRIPTION

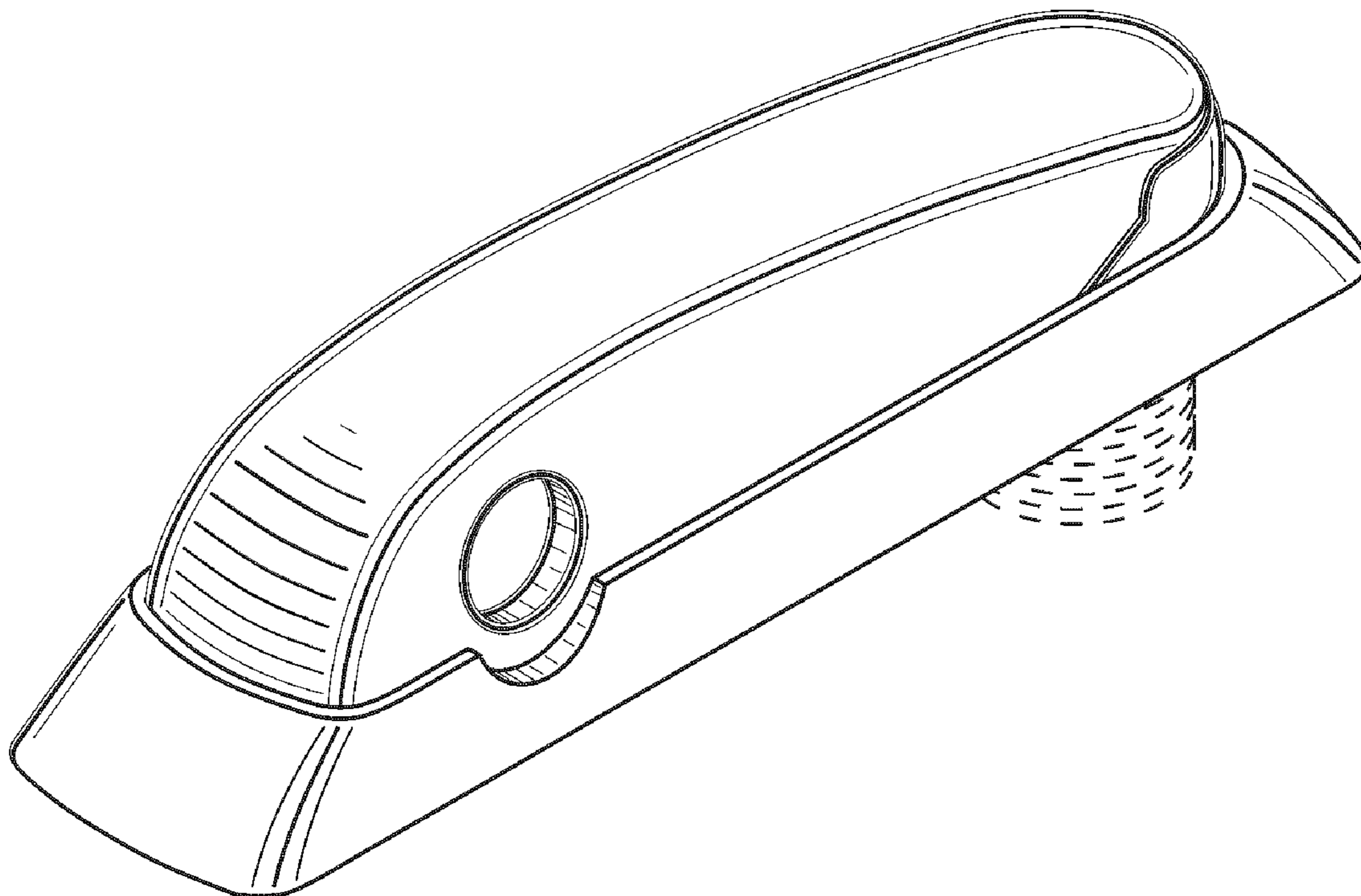
FIG. 1 is a top perspective view of a handle showing my new design;

FIG. 2 is a side view of the handle of FIG. 1; and,

FIG. 3 is a top view of the handle of FIG. 1.

A design for a handle is shown in FIGS. 1-3. The dash lines shown in the drawings are for illustrative purposes only and form no part of the claimed design.

1 Claim, 1 Drawing Sheet



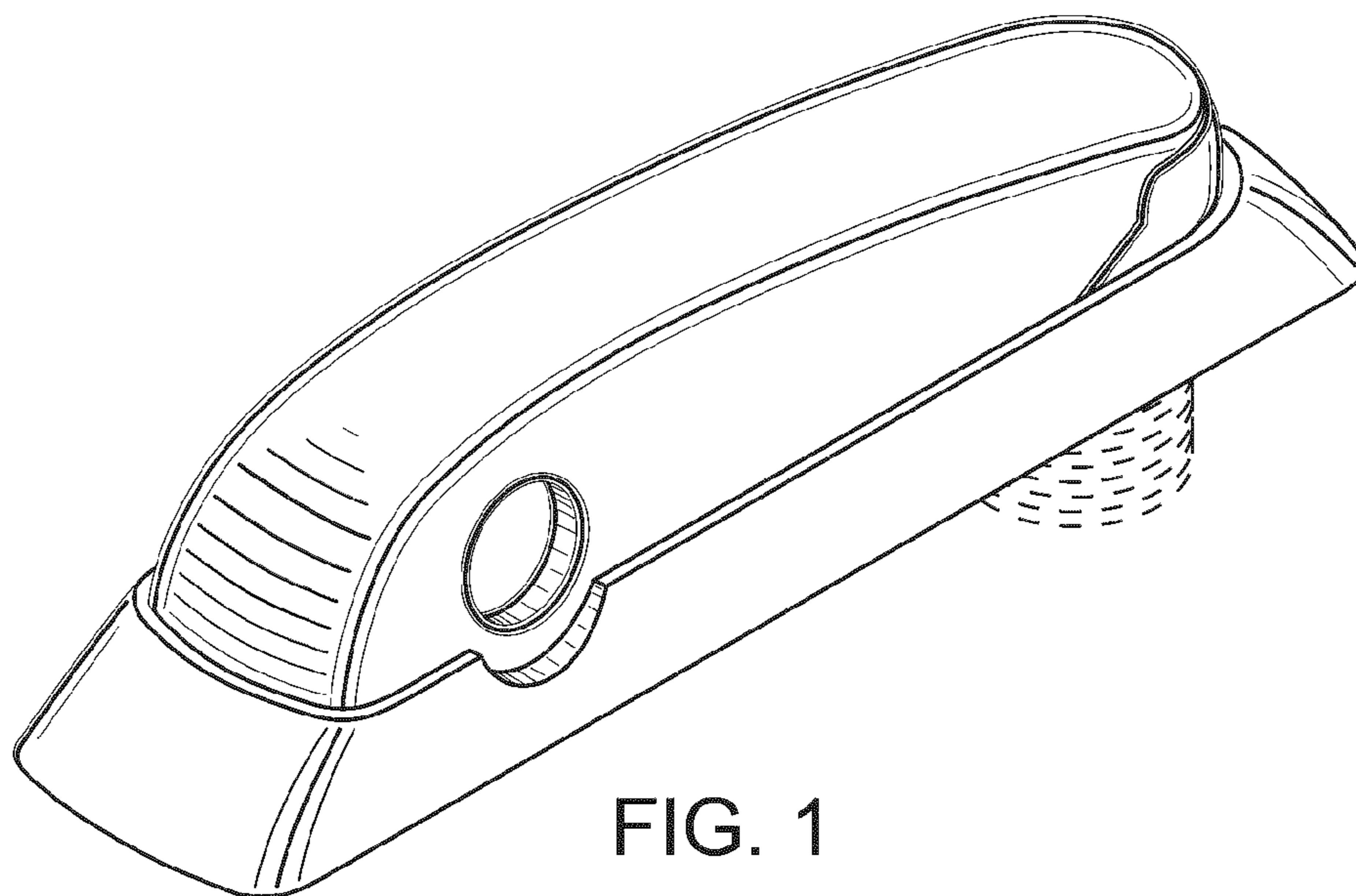


FIG. 1

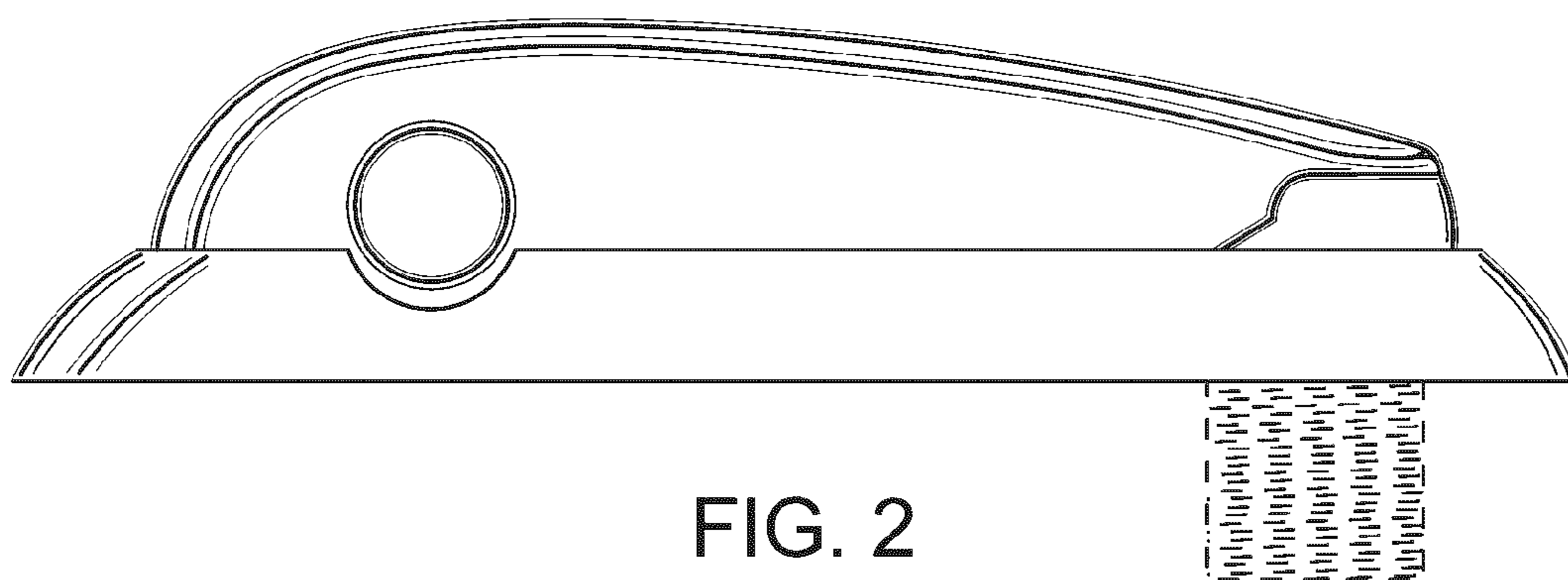


FIG. 2

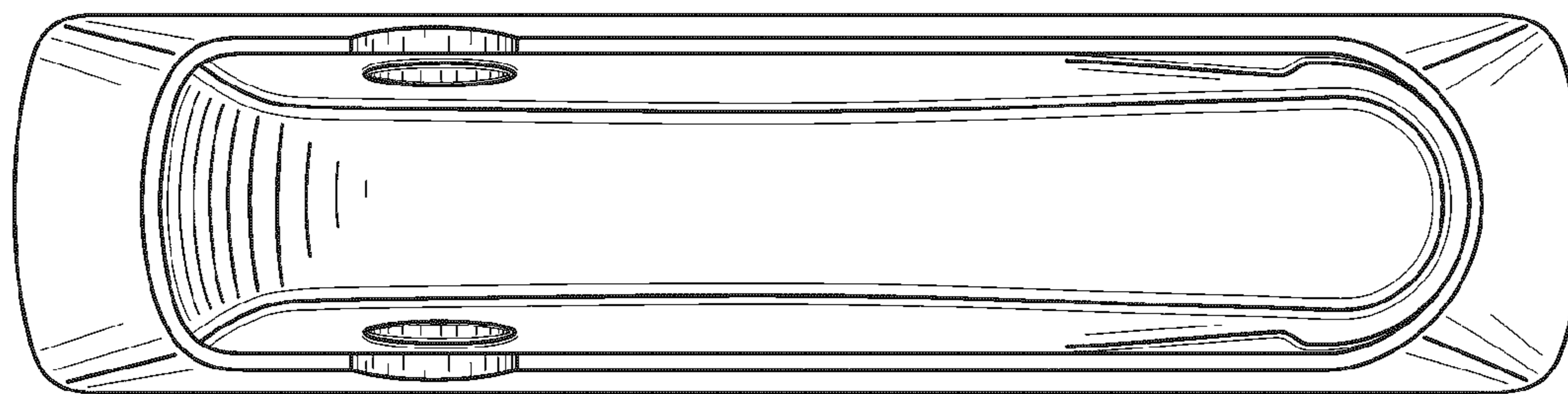


FIG. 3