



US00D585259S

(12) **United States Design Patent**
Holl et al.

(10) **Patent No.:** **US D585,259 S**
(45) **Date of Patent:** **** Jan. 27, 2009**

(54) **CHISEL HOLDER**

6,478,383 B1 * 11/2002 Ojanen et al. 299/104
6,481,803 B2 * 11/2002 Ritchey 299/79.1

(75) Inventors: **Bernd Holl**, Neustadt/Wied (DE);
Thomas Lehnert, Oberraden (DE);
Günter Tewes, Unkel/Rhein (DE);
Günter Hähn, Königswinter (DE)

(Continued)

(73) Assignee: **Wirtgen BmbH**, Windhagen (DE)

OTHER PUBLICATIONS

(**) Term: **14 Years**

Wirtgen Quick-change toolholder system HT3 Plus 1997-2004 and HT2 1992-1996, pp. 58-60 https://www.wirtgenamerica.com/pdf/ps_pdf/p_parts07_a.pdf*

(21) Appl. No.: **29/265,792**

U.S. Appl. No. 29/265,790, filed Sep. 8, 2006, Holl et al.

(22) Filed: **Sep. 8, 2006**

U.S. Appl. No. 29/265,791, filed Sep. 8, 2006, Holl et al.

(30) **Foreign Application Priority Data**

Primary Examiner—T. Chase Nelson
Assistant Examiner—Karen Acker

Mar. 10, 2006 (EM) .. 000493135-00001-0002-0003

(74) *Attorney, Agent, or Firm*—Jansson Shupe & Munger Ltd.

(51) **LOC (9) Cl.** **08-05**

(52) **U.S. Cl.** **D8/71**

(58) **Field of Classification Search** D8/70–74,
D8/349, 354, 355, 373, 395, 14; D3/315;
D6/553; D15/130, 132, 135, 136, 138–141,
D15/144.1, 144.2; D19/78; 206/349, 372,
206/373; 211/70.1, 70.6; 220/696; 294/19.1,
294/27.1, 86.4; 299/104, 106; 16/429; 29/527.1,
29/527.5; 248/229.15

See application file for complete search history.

(57) **CLAIM**

The ornamental design for a chisel holder, as shown and described.

(56) **References Cited**

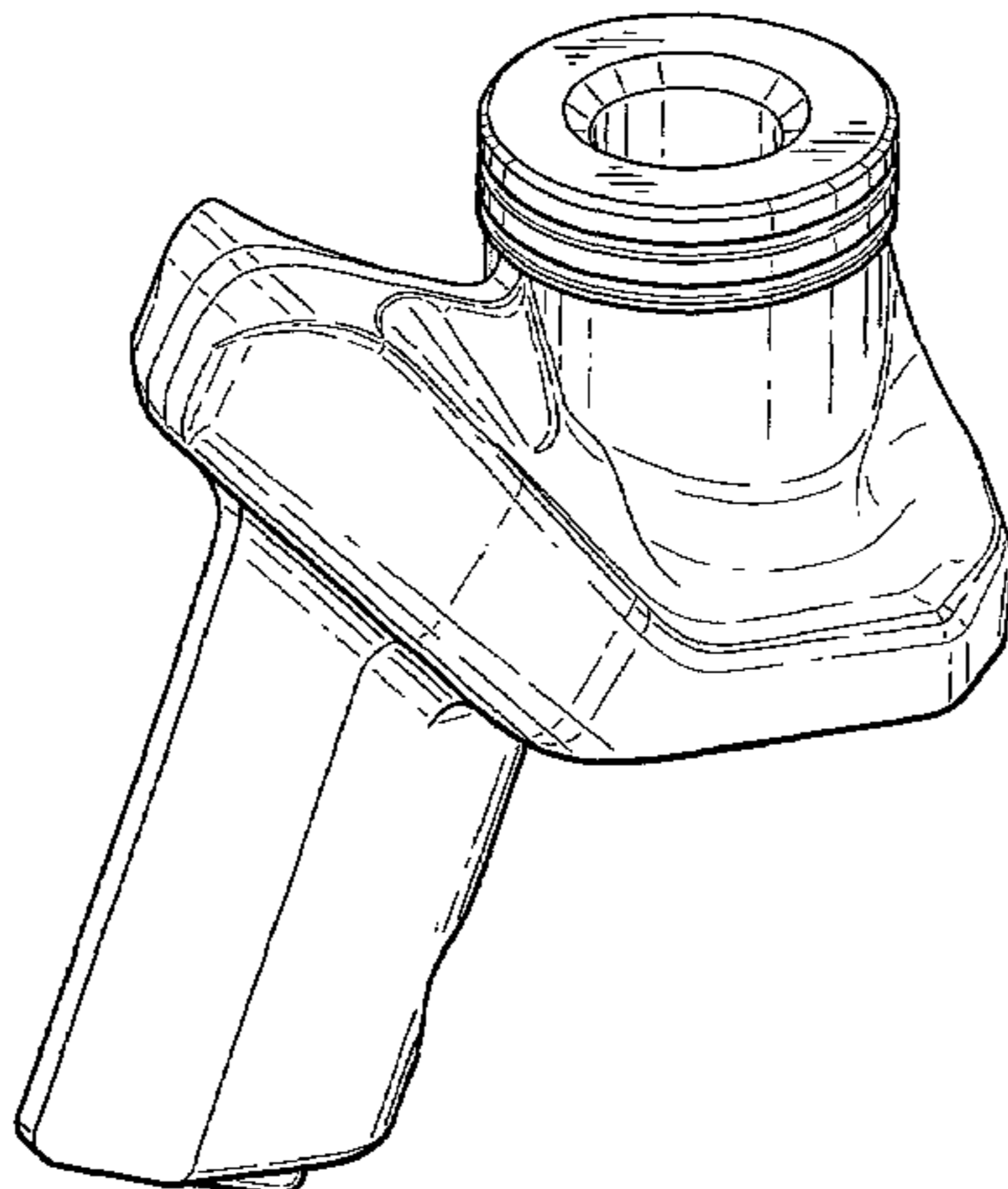
DESCRIPTION

U.S. PATENT DOCUMENTS

3,397,012 A * 8/1968 Krekeler 299/104
4,240,669 A * 12/1980 Rollins 299/102
4,489,986 A * 12/1984 Dziak 299/104
4,542,943 A * 9/1985 Montgomery, Jr. 299/102
4,828,327 A * 5/1989 Wechner 299/102
4,932,723 A * 6/1990 Mills 299/104
5,011,229 A * 4/1991 O'Neill et al. 299/102
5,378,050 A * 1/1995 Kammerer et al. 299/102
D373,299 S * 9/1996 Hall et al. D8/309
5,683,144 A 11/1997 Kammerer et al.
D430,272 S * 8/2000 Hung-Lin D23/245
6,244,665 B1 * 6/2001 Bise et al. 299/106
6,357,832 B1 * 3/2002 Sollami 299/104

FIG. 1 is a perspective view of the chisel holder;
FIG. 2 is a front elevation of the chisel holder of FIG. 1;
FIG. 3 is a left side elevation of the chisel holder of FIG. 1;
FIG. 4 is a right side elevation of the chisel holder of FIG. 1;
FIG. 5 is a top plan view of the chisel holder of FIG. 1;
FIG. 6 is a back elevation of the chisel holder;
FIG. 7 is a bottom plan view of the chisel holder;
FIG. 8 is a back elevation of a second embodiment of the chisel holder, the only difference being the inclusion of the notch, it being understood that all other surfaces are the same as those of the first embodiment; and,
FIG. 9 is a bottom plan view of the chisel holder of FIG. 8.

1 Claim, 9 Drawing Sheets



US D585,259 S

Page 2

U.S. PATENT DOCUMENTS

6,585,326	B2 *	7/2003	Sollami	299/104	7,118,181	B2 *	10/2006	Frear	299/104
6,619,756	B1	9/2003	Holl et al.		7,192,095	B2 *	3/2007	Sansone et al.	299/106
6,619,757	B1	9/2003	Kammerer		7,234,782	B2 *	6/2007	Stehney	299/104
6,644,755	B1	11/2003	Kammerer		7,278,692	B2 *	10/2007	Sollami	299/106
6,712,431	B1 *	3/2004	Bosch et al.	299/104	7,300,115	B2 *	11/2007	Holl et al.	299/106
6,764,140	B2 *	7/2004	Carson et al.	299/79.1	2002/0053827	A1 *	5/2002	Clapham et al.	299/102
6,779,850	B1 *	8/2004	Schibeci et al.	299/87.1	2003/0015907	A1 *	1/2003	Sollami	299/104
6,786,557	B2 *	9/2004	Montgomery, Jr.	299/104	2003/0137185	A1 *	7/2003	Sollami	299/106
D499,954	S *	12/2004	Brushaber	D8/355	2004/0004389	A1 *	1/2004	Latham	299/104
6,832,818	B2 *	12/2004	Luciano	299/39.8	2004/0119326	A1 *	6/2004	Risi	299/39.8
6,854,810	B2 *	2/2005	Montgomery, Jr.	299/106	2005/0127742	A1 *	6/2005	Erickson	299/106
6,866,343	B2	3/2005	Holl et al.		2006/0261662	A1 *	11/2006	Sollami	299/104
6,962,395	B2 *	11/2005	Mouthaan	299/104	2006/0279133	A1 *	12/2006	Erickson et al.	299/106

* cited by examiner

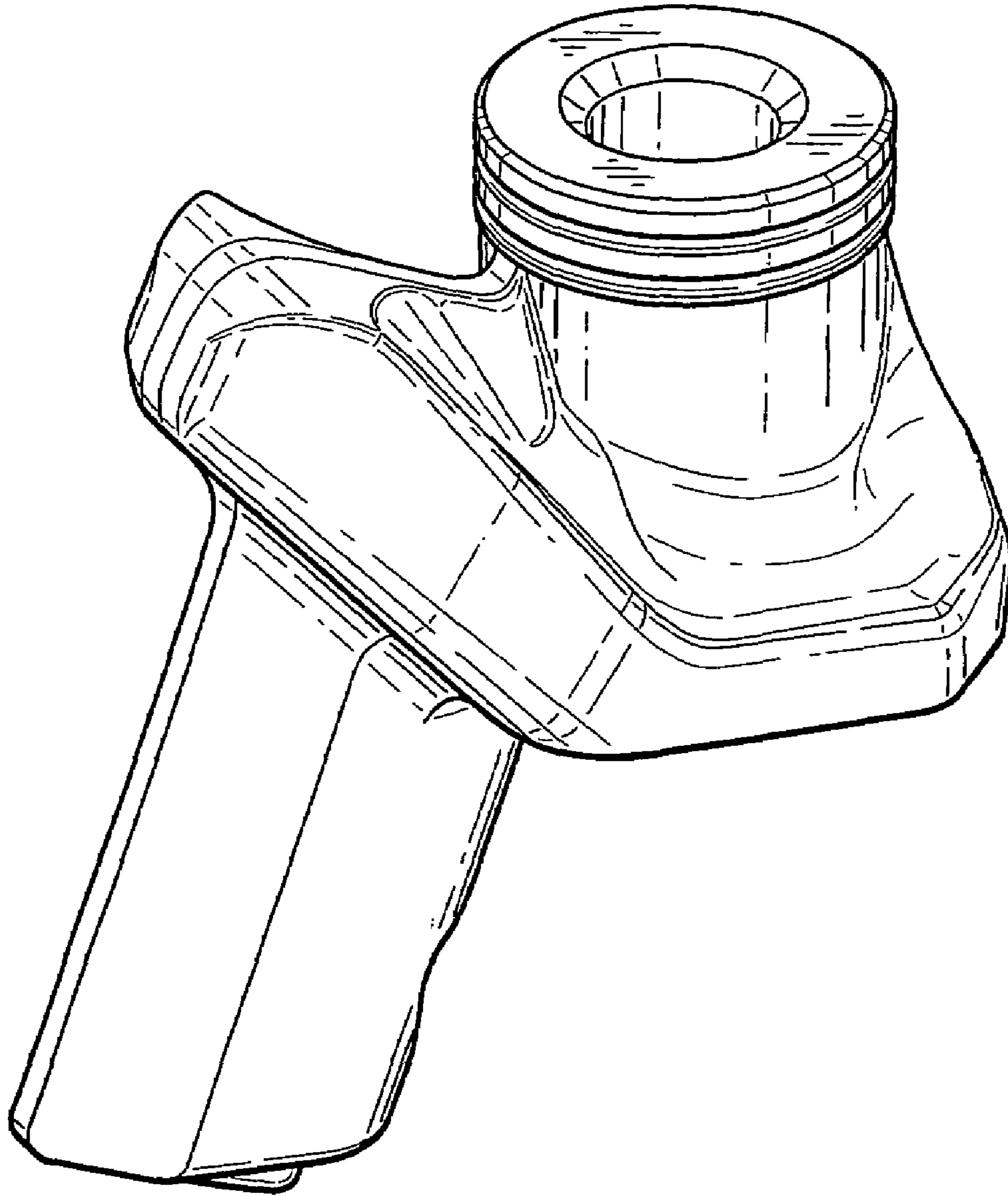


FIG. 1

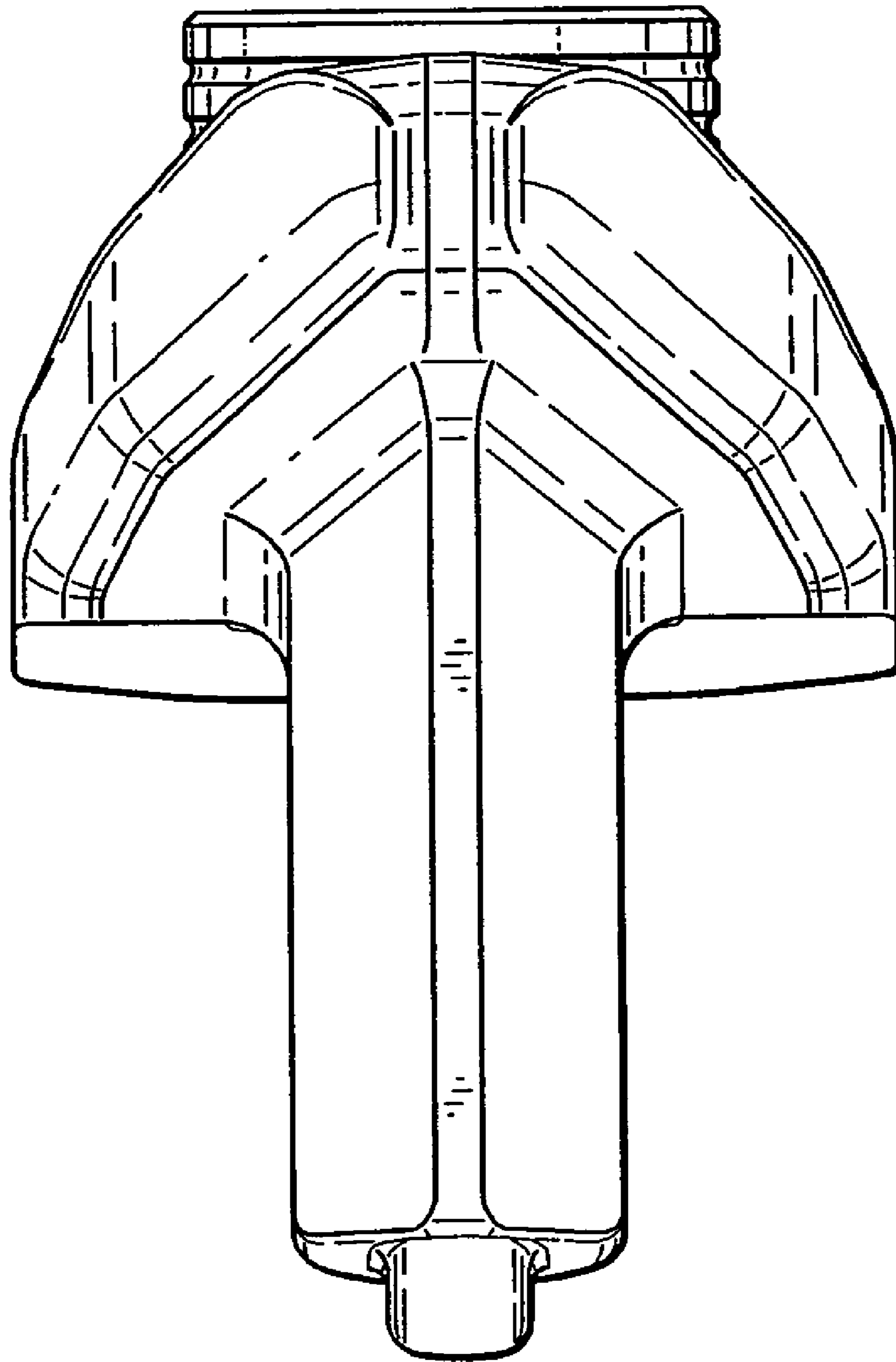


FIG. 2

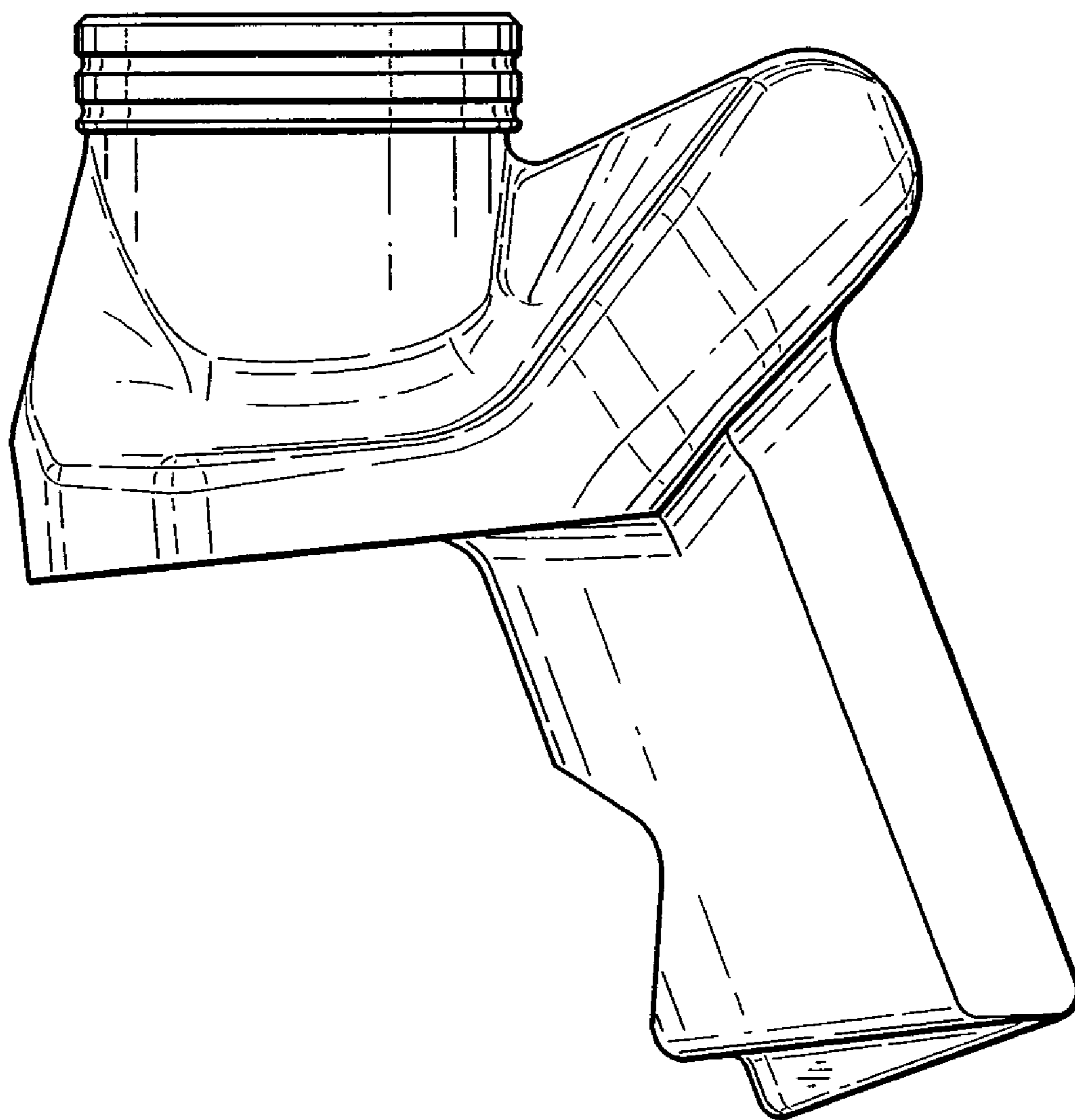


FIG. 3

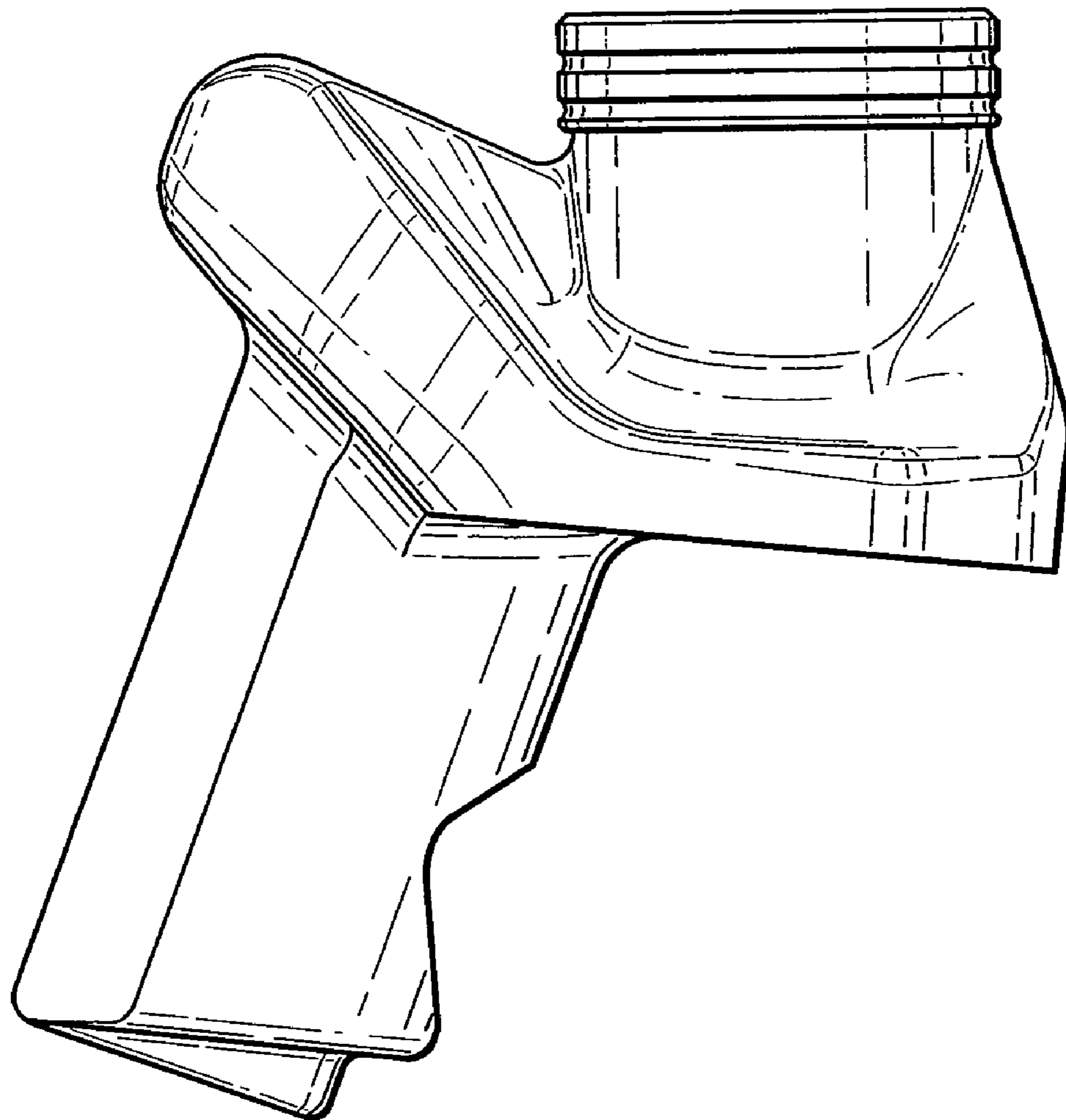


FIG. 4

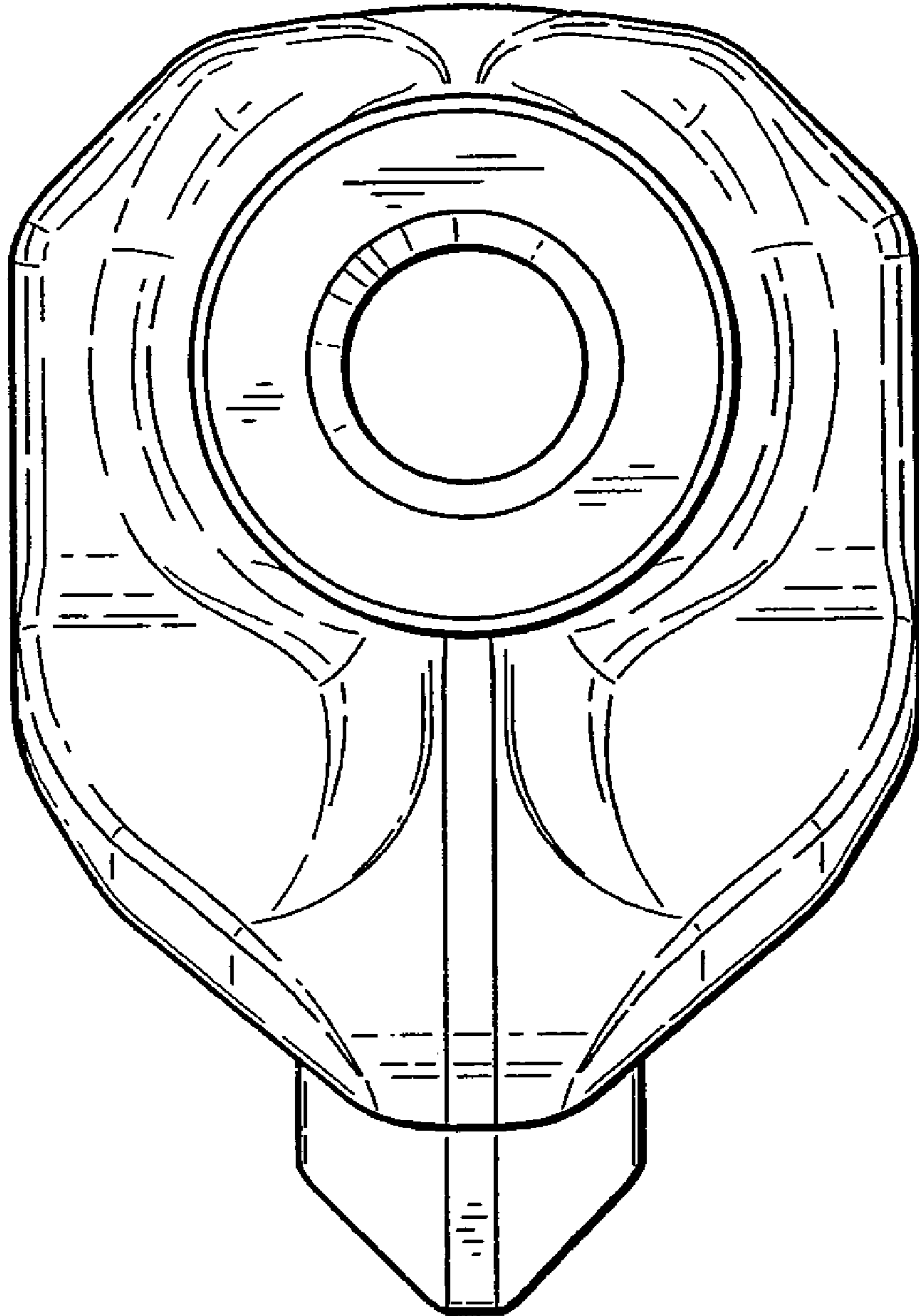


FIG. 5

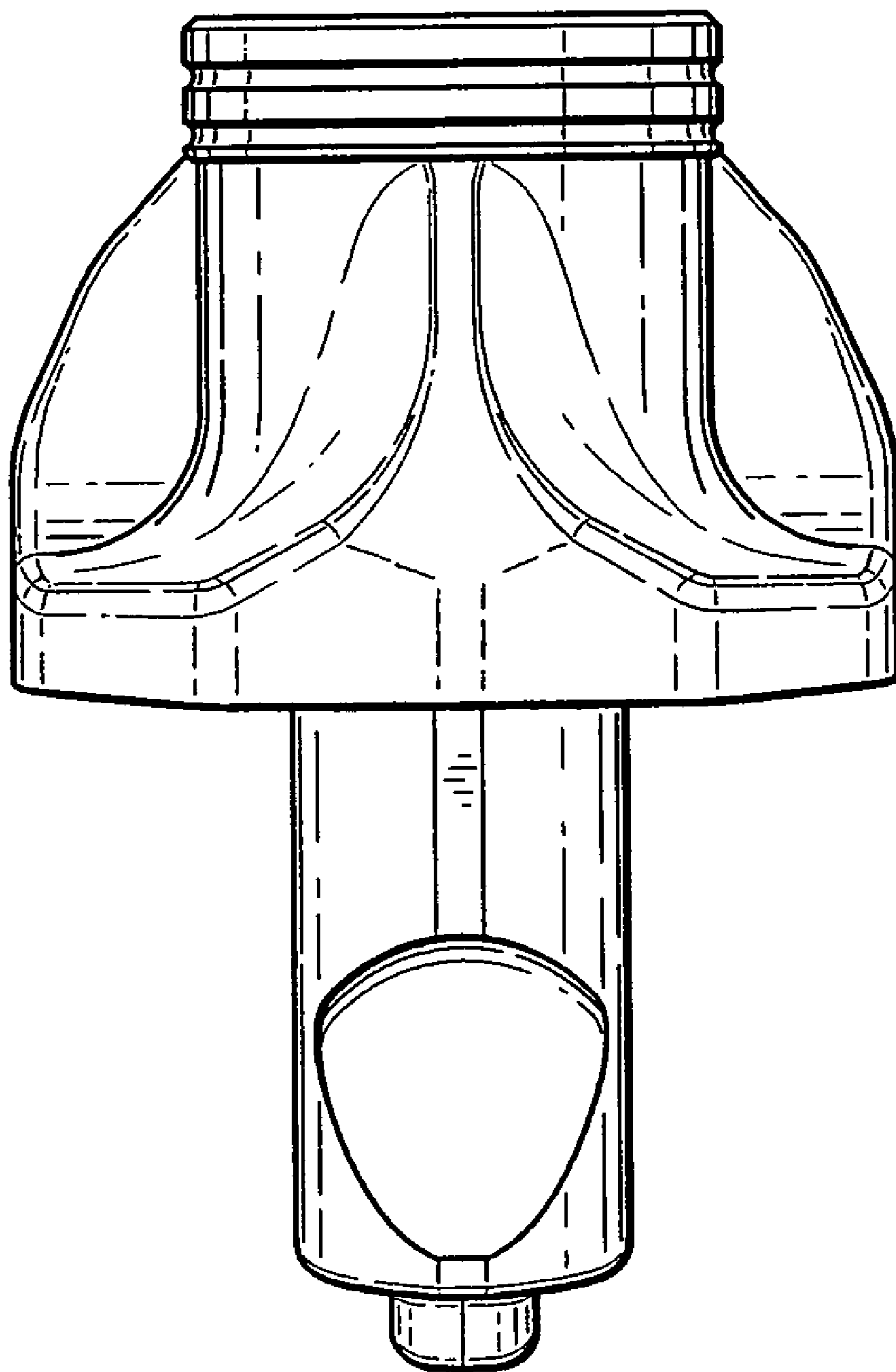


FIG. 6

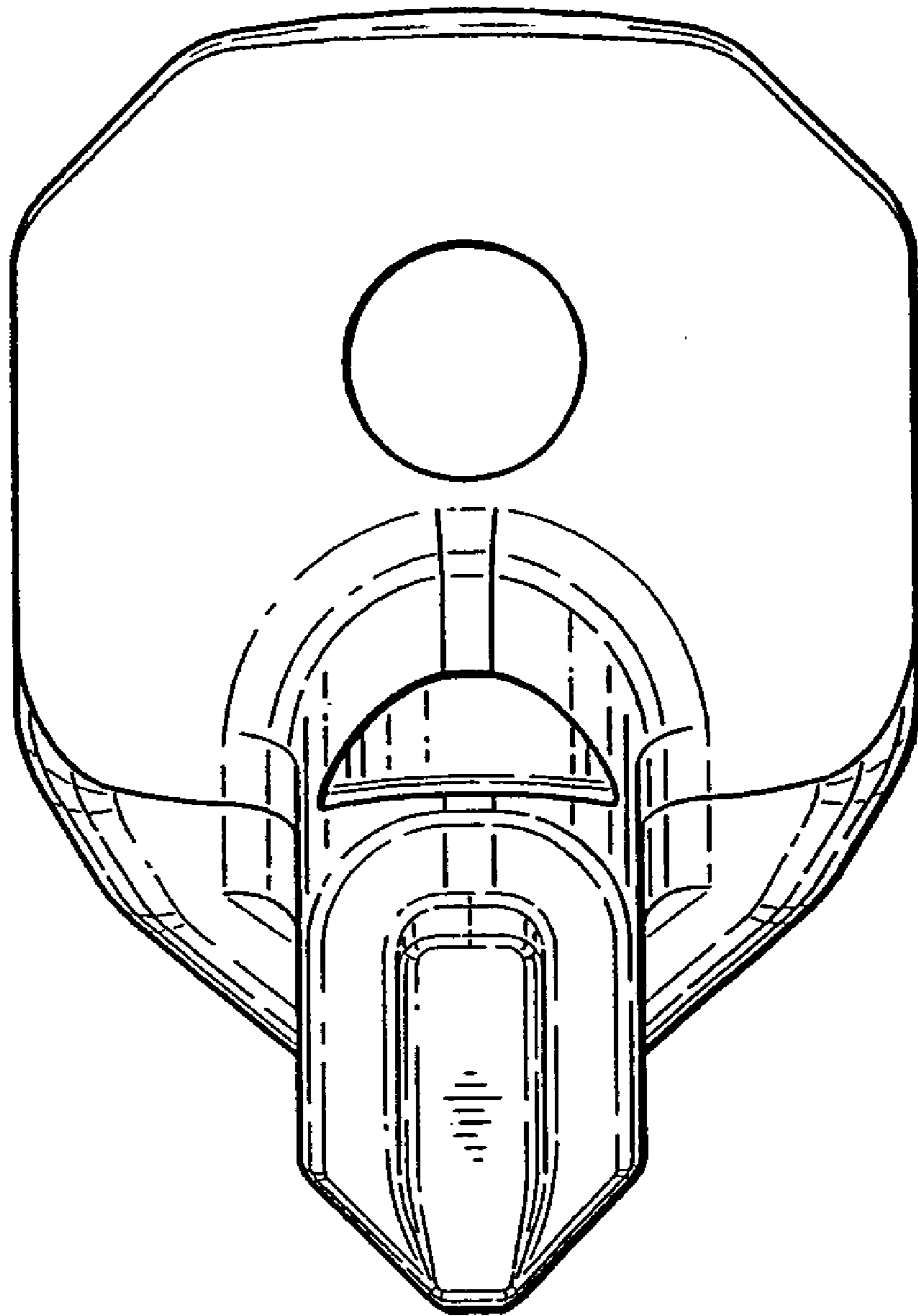


FIG. 7

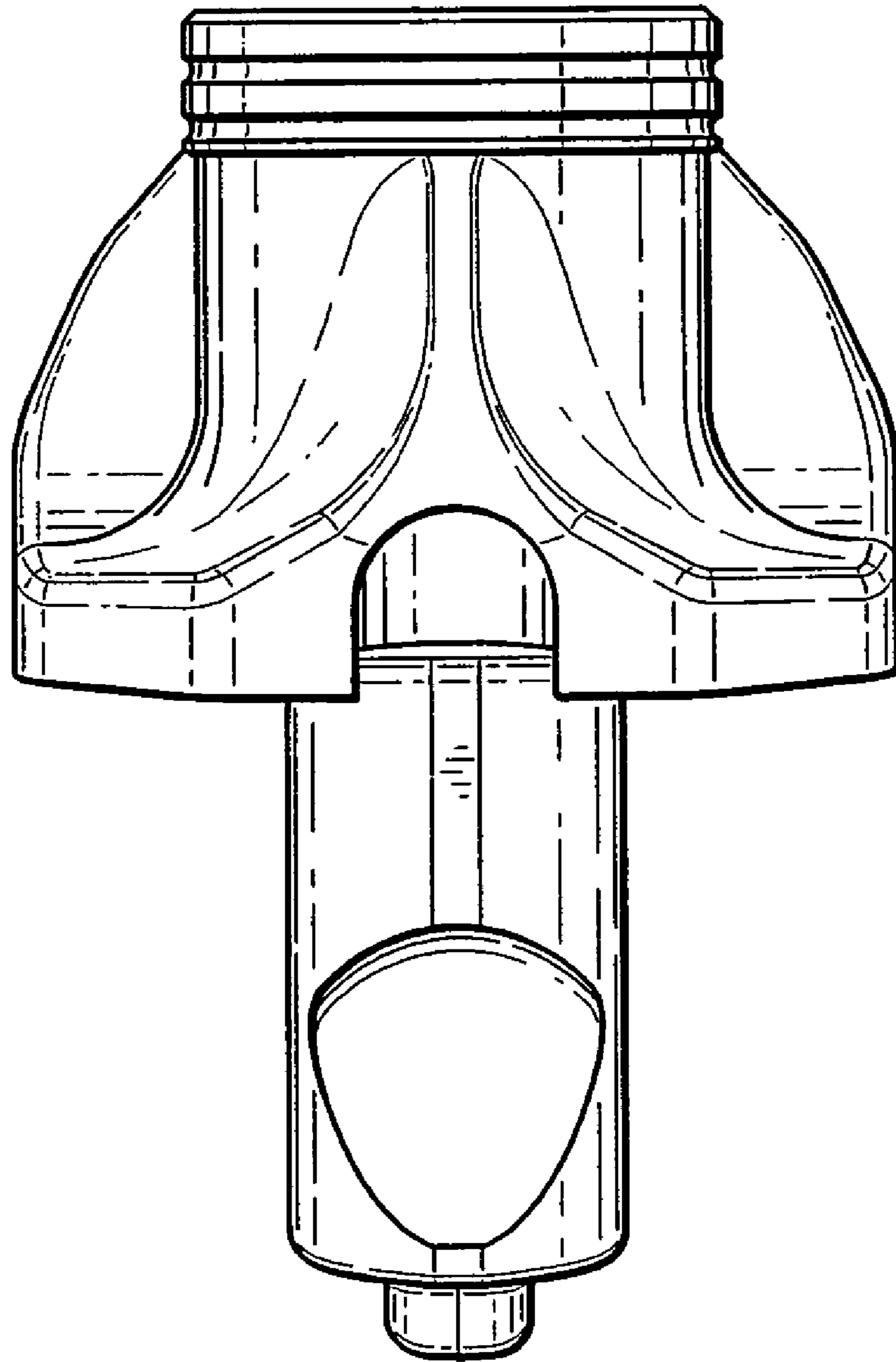


FIG. 8

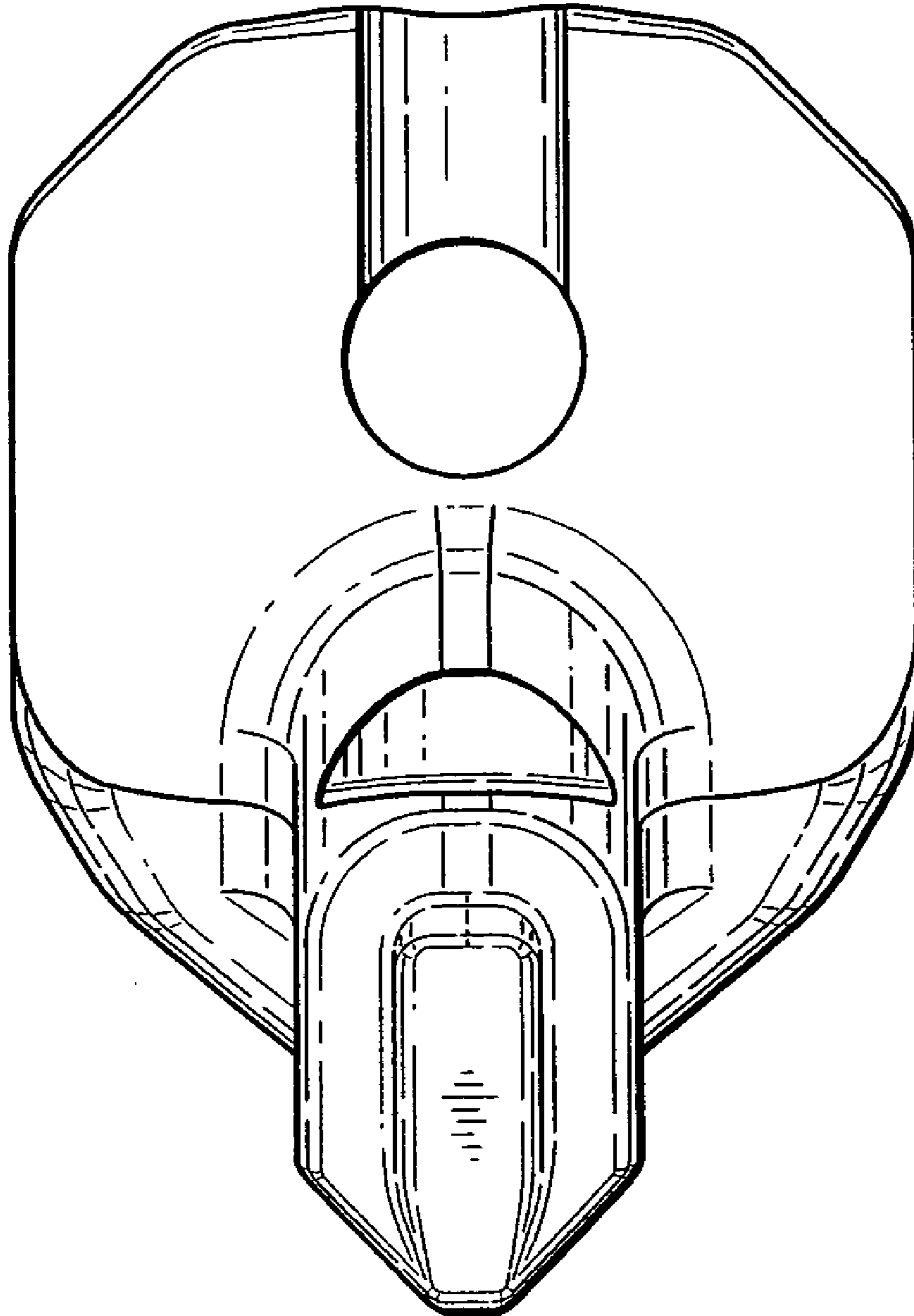


FIG. 9

UNITED STATES PATENT AND TRADEMARK OFFICE
CERTIFICATE OF CORRECTION

PATENT NO. : Des. 585,259 S
APPLICATION NO. : 29/265792
DATED : January 27, 2009
INVENTOR(S) : Holl et al.

Page 1 of 1

It is certified that error appears in the above-identified patent and that said Letters Patent is hereby corrected as shown below:

Title page, item [73] Assignee should read as follows:

In the line containing the Assignee's name, delete "BmbH" and insert -- GmbH --.

Signed and Sealed this

Thirteenth Day of October, 2009



David J. Kappos
Director of the United States Patent and Trademark Office