



US00D585258S

(12) **United States Design Patent**
Nojiri et al.

(10) **Patent No.:** **US D585,258 S**
(45) **Date of Patent:** **** Jan. 27, 2009**

(54) **PORTABLE ELECTRIC SANDER**
(75) Inventors: **Hiroshi Nojiri, Anjo (JP); Yuji Yamamoto, Anjo (JP)**
(73) Assignee: **Makita Corporation, Anjo-shi (JP)**
(**) Term: **14 Years**

D475,908 S * 6/2003 Boyer D8/61
D488,365 S * 4/2004 Liu D8/62
D490,676 S * 6/2004 Wright D8/62
D509,417 S * 9/2005 Wikle et al. D8/62
D511,953 S * 11/2005 Janson D8/62
D518,696 S * 4/2006 Schoen D8/62
D558,017 S * 12/2007 Cooper et al. D8/62
D567,047 S * 4/2008 Okuda et al. D8/62
2005/0153637 A1 * 7/2005 Janson 451/359

(21) Appl. No.: **29/322,100**

* cited by examiner

(22) Filed: **Jul. 29, 2008**

Primary Examiner—Cathron C Brooks

Assistant Examiner—Austin Murphy

(30) **Foreign Application Priority Data**

(74) *Attorney, Agent, or Firm*—Olliff & Berridge, PLC

Feb. 18, 2008 (JP) 2008-003434

(57) **CLAIM**

(51) **LOC (9) Cl.** **08-01**
(52) **U.S. Cl.** **D8/62**
(58) **Field of Classification Search** D8/67,
D8/62, 61, 70; D32/15, 17, 19; D4/102;
451/456, 451, 359, 358, 357, 356, 355, 364,
451/344

The ornamental design for a portable electric sander, as shown and described.

See application file for complete search history.

DESCRIPTION

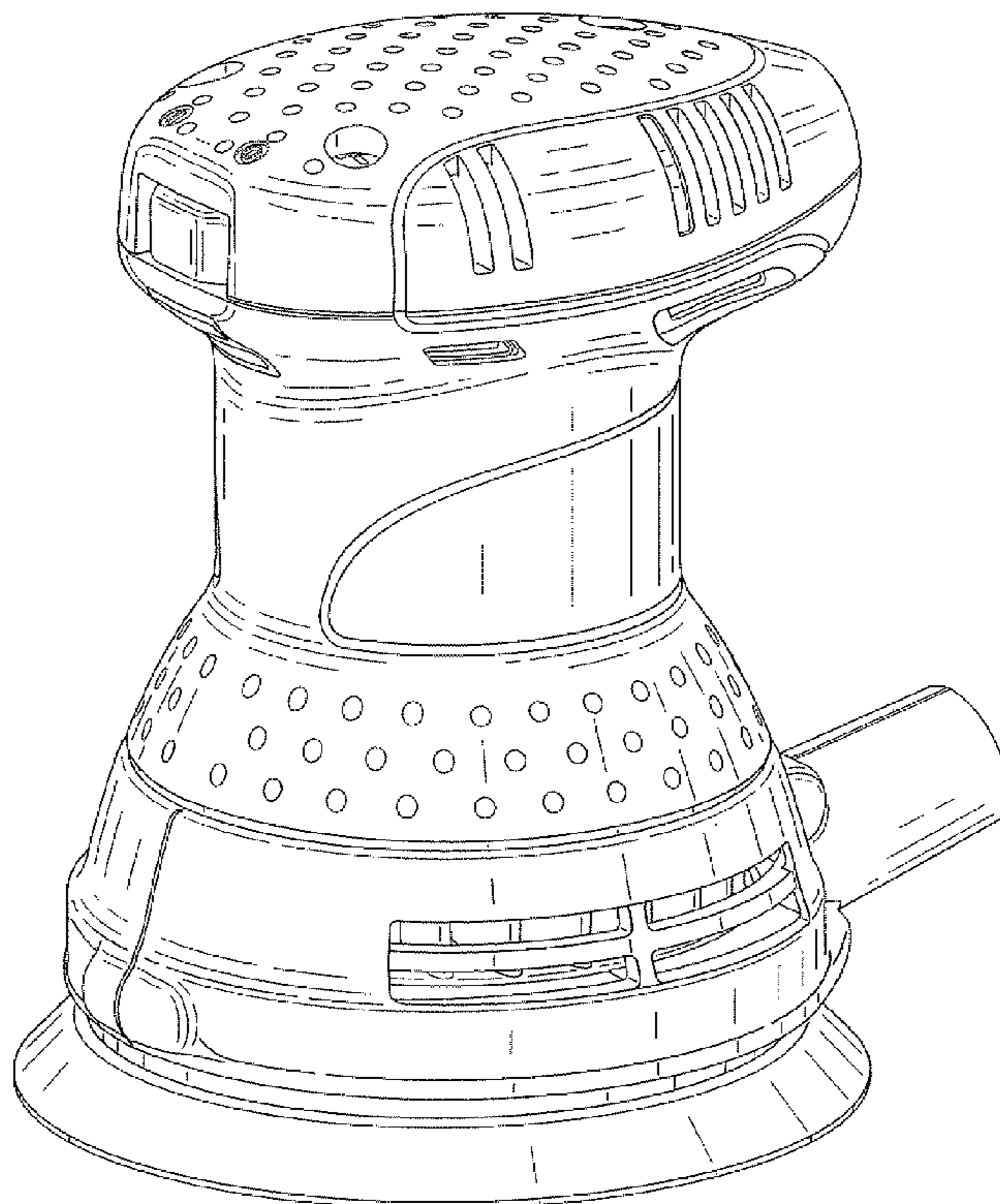
(56) **References Cited**

FIG. 1 is a perspective view of top, front and left side of a portable electric sander showing our new design;
FIG. 2 is a front view thereof;
FIG. 3 is a rear view thereof;
FIG. 4 is a top plan view thereof;
FIG. 5 is a bottom view thereof;
FIG. 6 is a left side view thereof; and,
FIG. 7 is a right side view thereof.

U.S. PATENT DOCUMENTS

D326,398 S 5/1992 Fushiya et al.
D386,376 S 11/1997 Kaneko et al.
D414,666 S * 10/1999 Cortes D8/62
D431,437 S * 10/2000 Niwa et al. D8/62
6,454,640 B1 * 9/2002 Siedler et al. 451/357
D468,178 S * 1/2003 Wright et al. D8/62

1 Claim, 7 Drawing Sheets



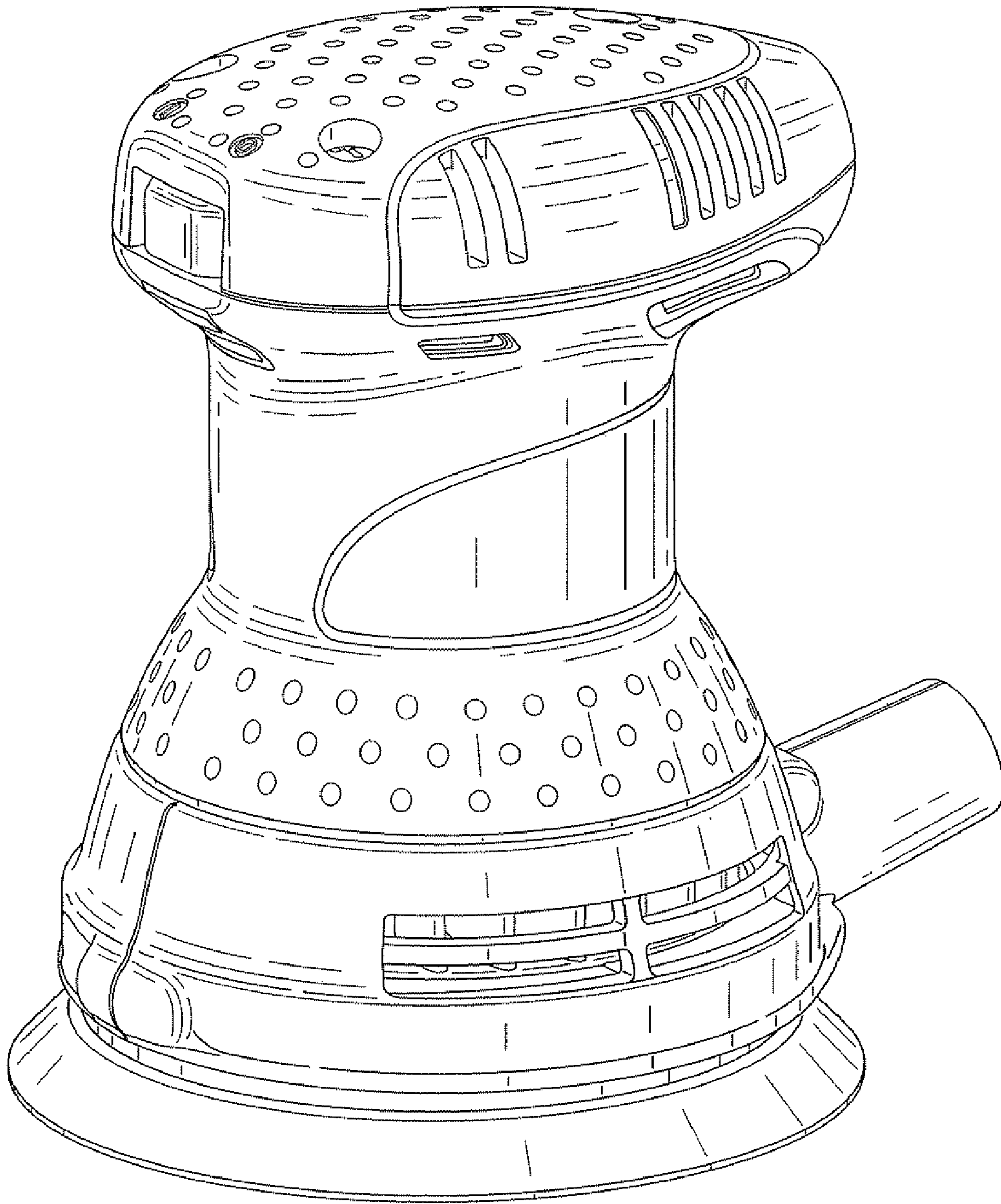


FIG. 1

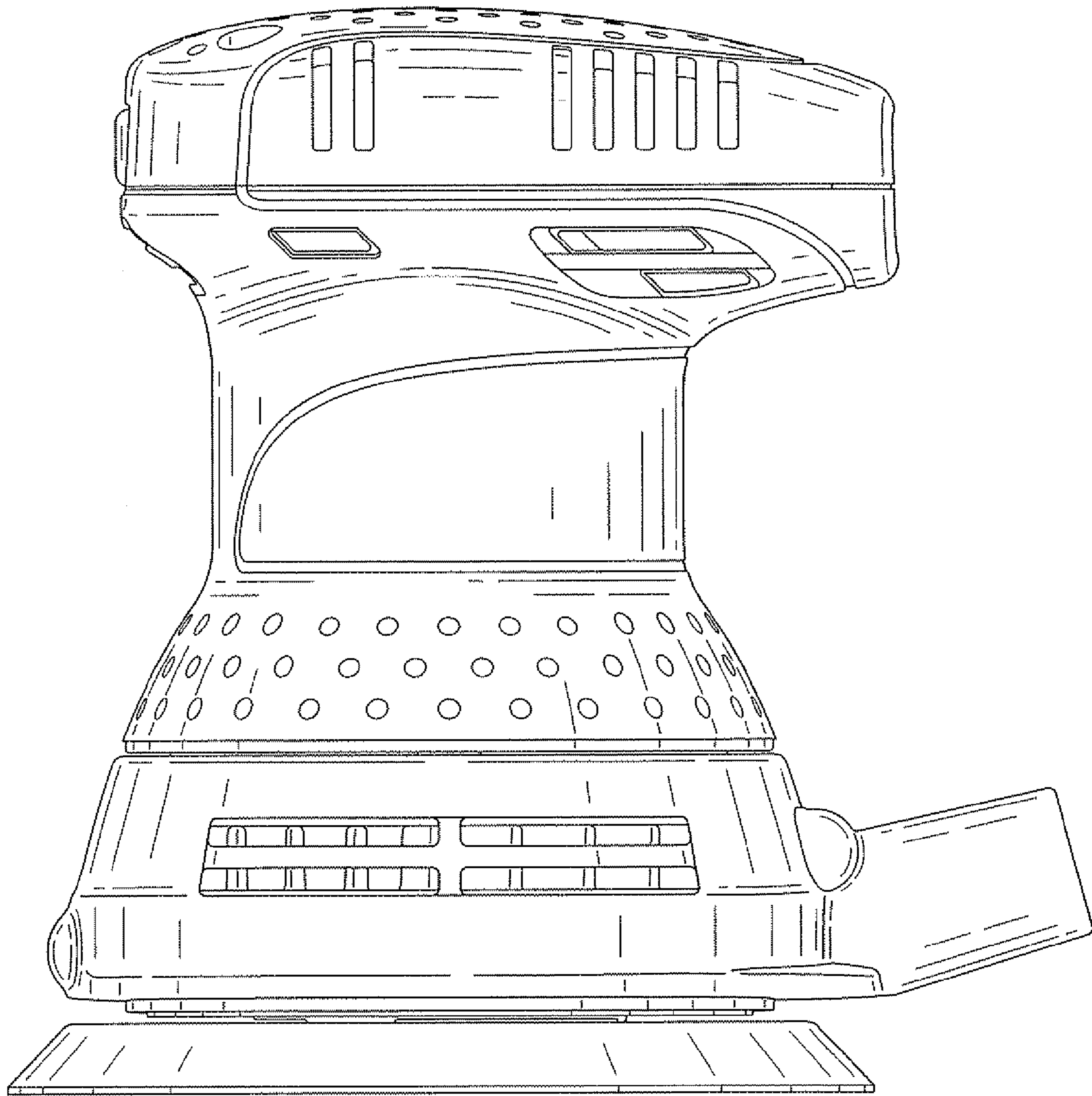


FIG. 2

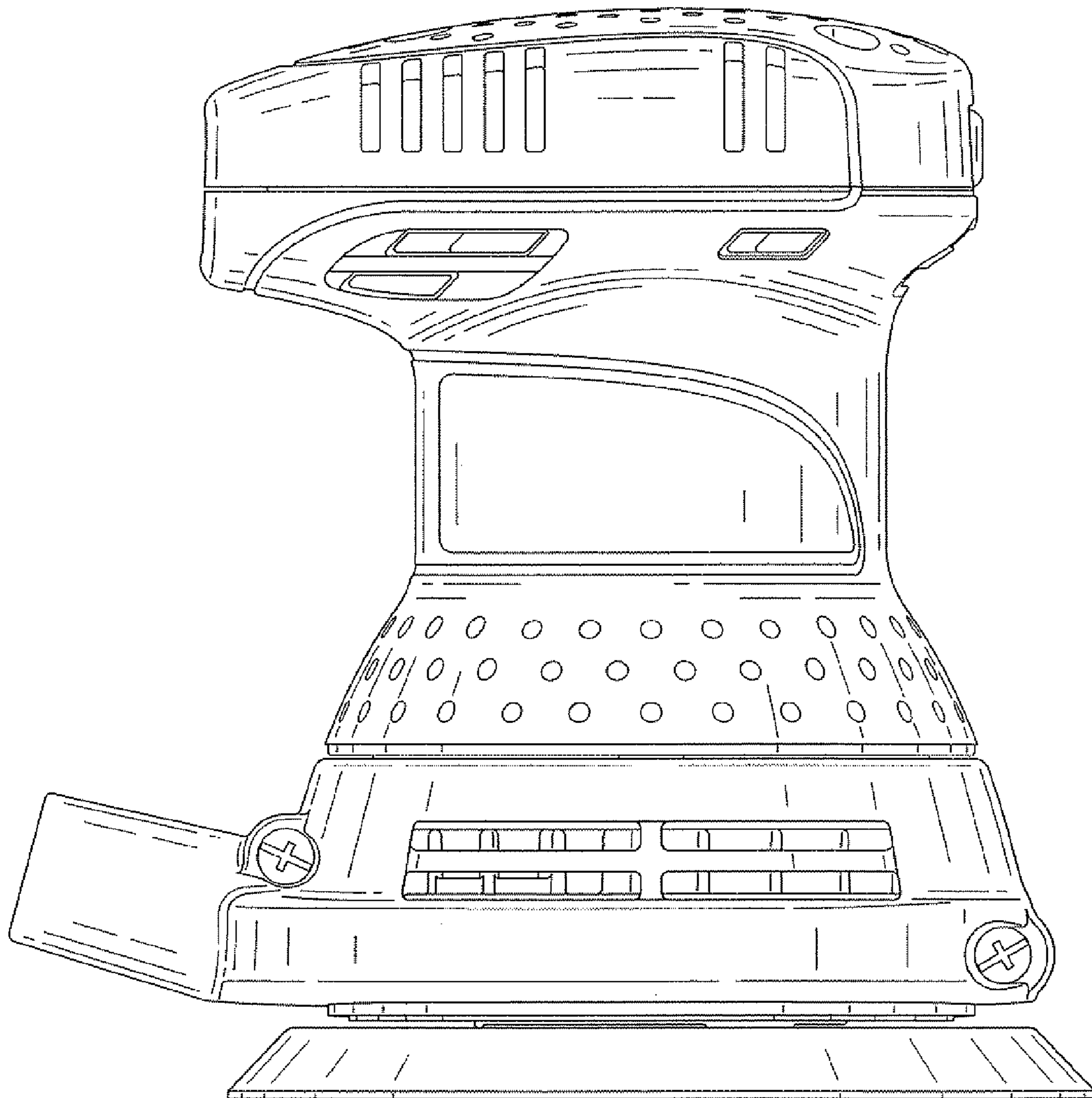


FIG. 3

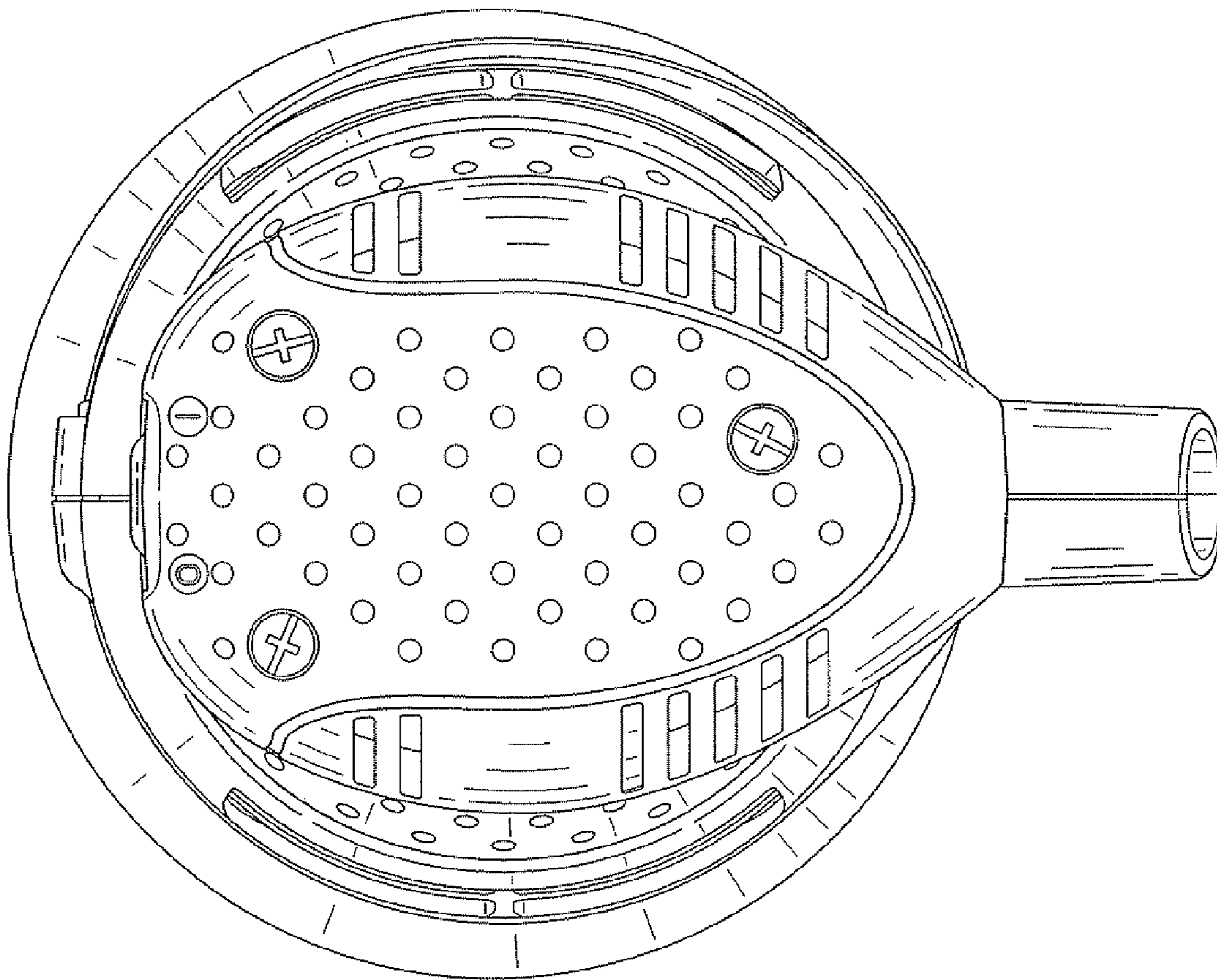


FIG. 4

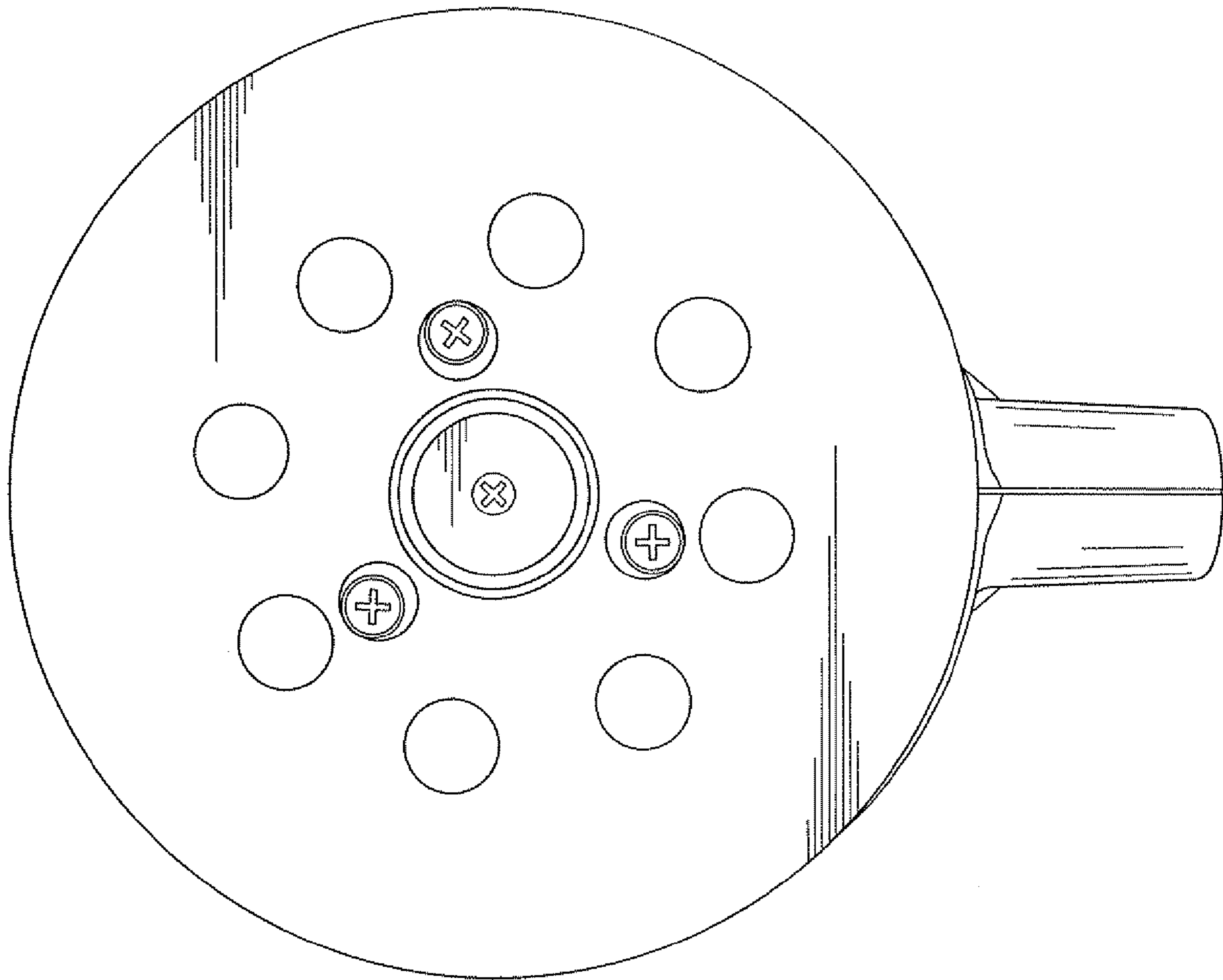


FIG. 5

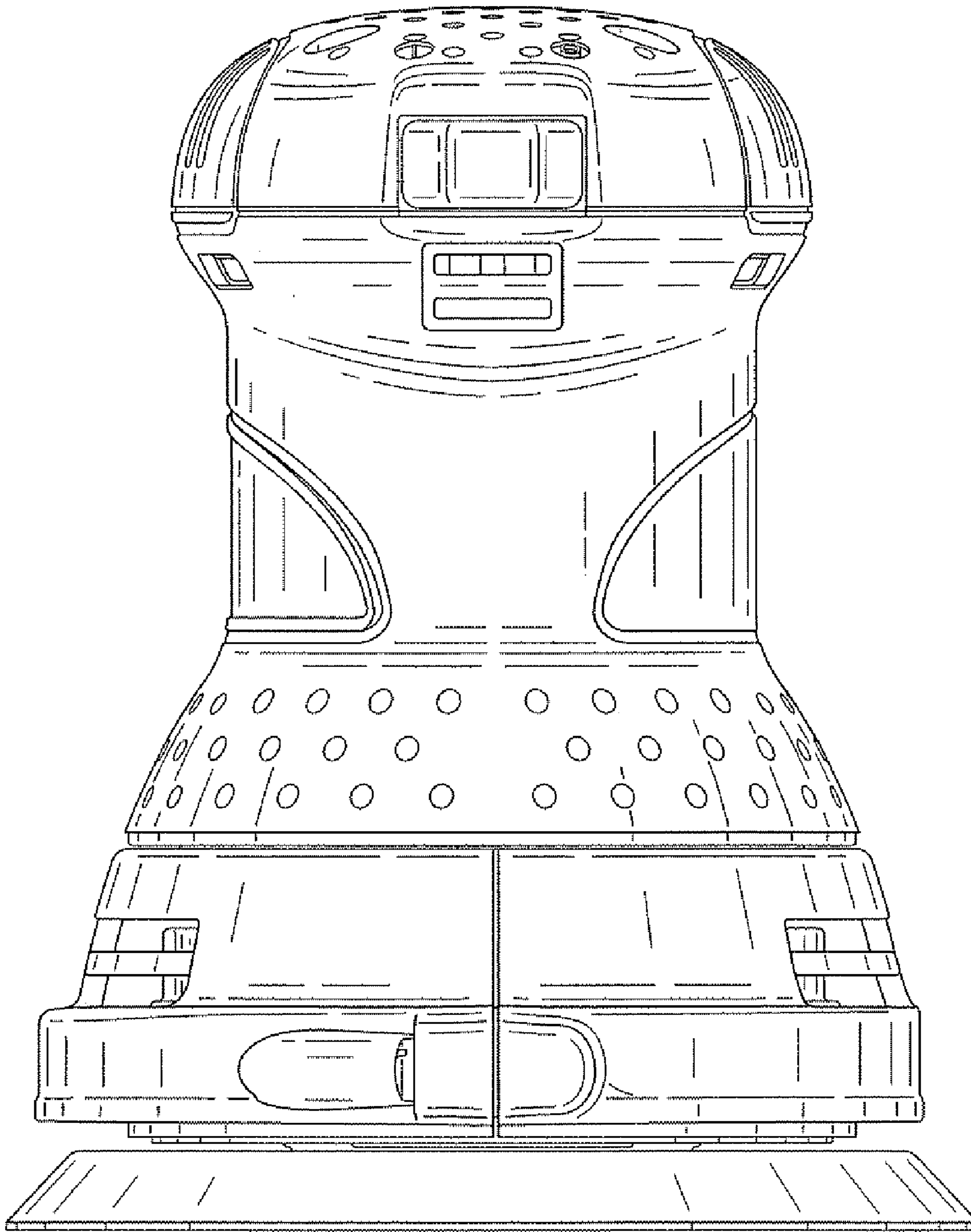


FIG. 6

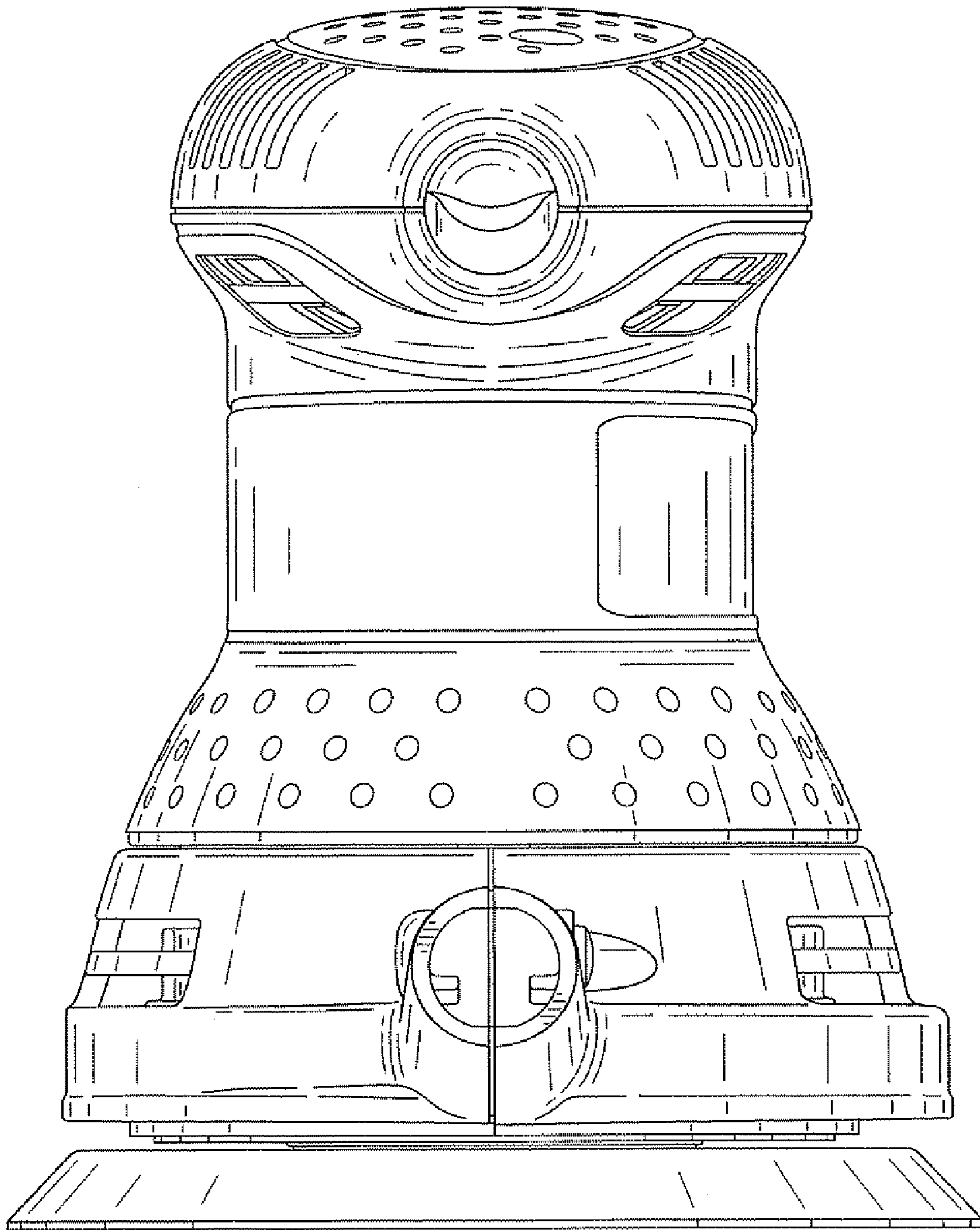


FIG. 7