



US00D585256S

(12) **United States Design Patent**  
**Paslawski**

(10) **Patent No.:** **US D585,256 S**  
(45) **Date of Patent:** **\*\* Jan. 27, 2009**

(54) **STAPLER**

(75) Inventor: **Ray N Paslawski**, Wildwood, MO (US)

(73) Assignee: **Positive Outcomes, Inc.**, Wildwood, MO (US)

(\*\*) Term: **14 Years**

(21) Appl. No.: **29/282,814**

(22) Filed: **Jul. 30, 2007**

(51) **LOC (9) Cl.** ..... **19-02**

(52) **U.S. Cl.** ..... **D8/50**

(58) **Field of Classification Search** ..... D8/49,  
D8/50, 61, 68, 69; D19/72, 73, 65, 69; D21/532;  
D24/145; 7/158, 160; 227/4, 5, 6, 7, 8, 120,  
227/127, 128, 131, 132, 134, 144, 156, 175.1;  
606/139, 143, 153, 219

See application file for complete search history.

(56) **References Cited**

**U.S. PATENT DOCUMENTS**

D436,009 S *	1/2001	Chi Kuo	.....	D8/50
D436,010 S *	1/2001	Nakamura	.....	D8/50
D446,430 S *	8/2001	Arns	.....	D8/50
D470,025 S *	2/2003	Joss et al.	.....	D8/50
D478,485 S *	8/2003	Huang	.....	D8/50
D478,486 S *	8/2003	Scola et al.	.....	D8/50
D479,678 S *	9/2003	Huang	.....	D8/50
D502,369 S *	3/2005	Nakamura	.....	D8/50
D517,883 S *	3/2006	Tsai	.....	D8/50
D530,999 S *	10/2006	Kent et al.	.....	D8/50
D554,456 S *	11/2007	Chang	.....	D8/50

\* cited by examiner

*Primary Examiner*—Cathron C. Brooks

*Assistant Examiner*—Austin Murphy

(74) *Attorney, Agent, or Firm*—Polster, Lieder, Woodruff & Lucchesi, L.C.

(57) **CLAIM**

The ornamental design for a stapler, as shown and described.

**DESCRIPTION**

FIG. 1 is a front view of embodiment 1 of the stapler;

FIG. 2 is a bottom view thereof;

FIG. 3 is a top view thereof;

FIG. 4 is a front perspective view thereof;

FIG. 5 is a rear perspective view thereof with the top of the stapler shown in an open position;

FIG. 6 is a rear perspective view thereof with the top of the stapler shown in a forward position;

FIG. 7 is a side view thereof;

FIG. 8 is a rear view thereof;

FIG. 9 is a top view of embodiment 2;

FIG. 10 is a front perspective view of FIG. 9;

FIG. 11 a rear perspective view of FIG. 9 with the top of the stapler shown in an open position;

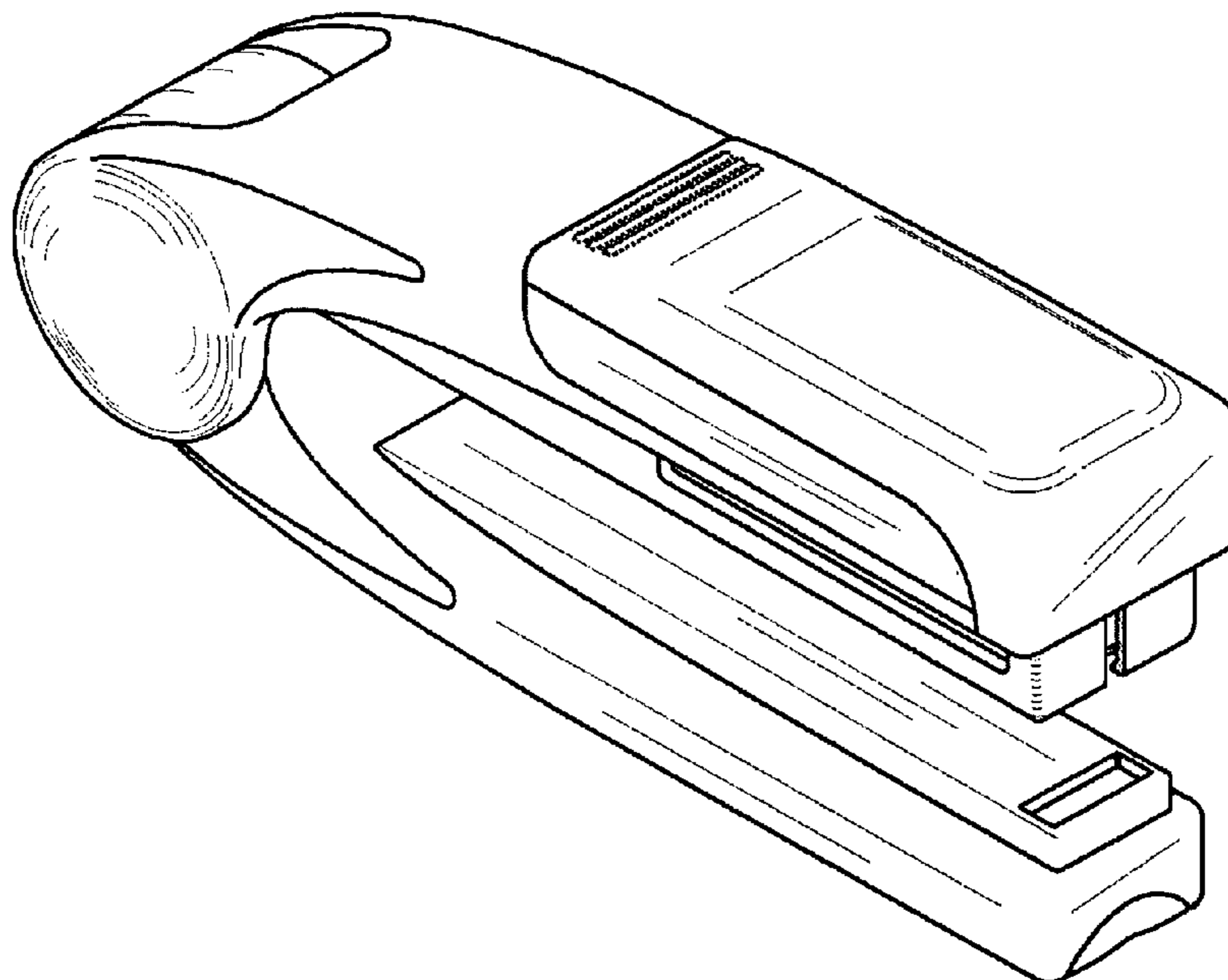
FIG. 12 a rear perspective view of FIG. 9 with the top of the stapler shown in a forward position;

FIG. 13 is a side view of FIG. 9; and,

FIG. 14 is a rear view of FIG. 9.

The broken line showing of the elements of the stapler is for the purpose of illustrating portions of the stapler that form no part of the claimed design.

**1 Claim, 14 Drawing Sheets**



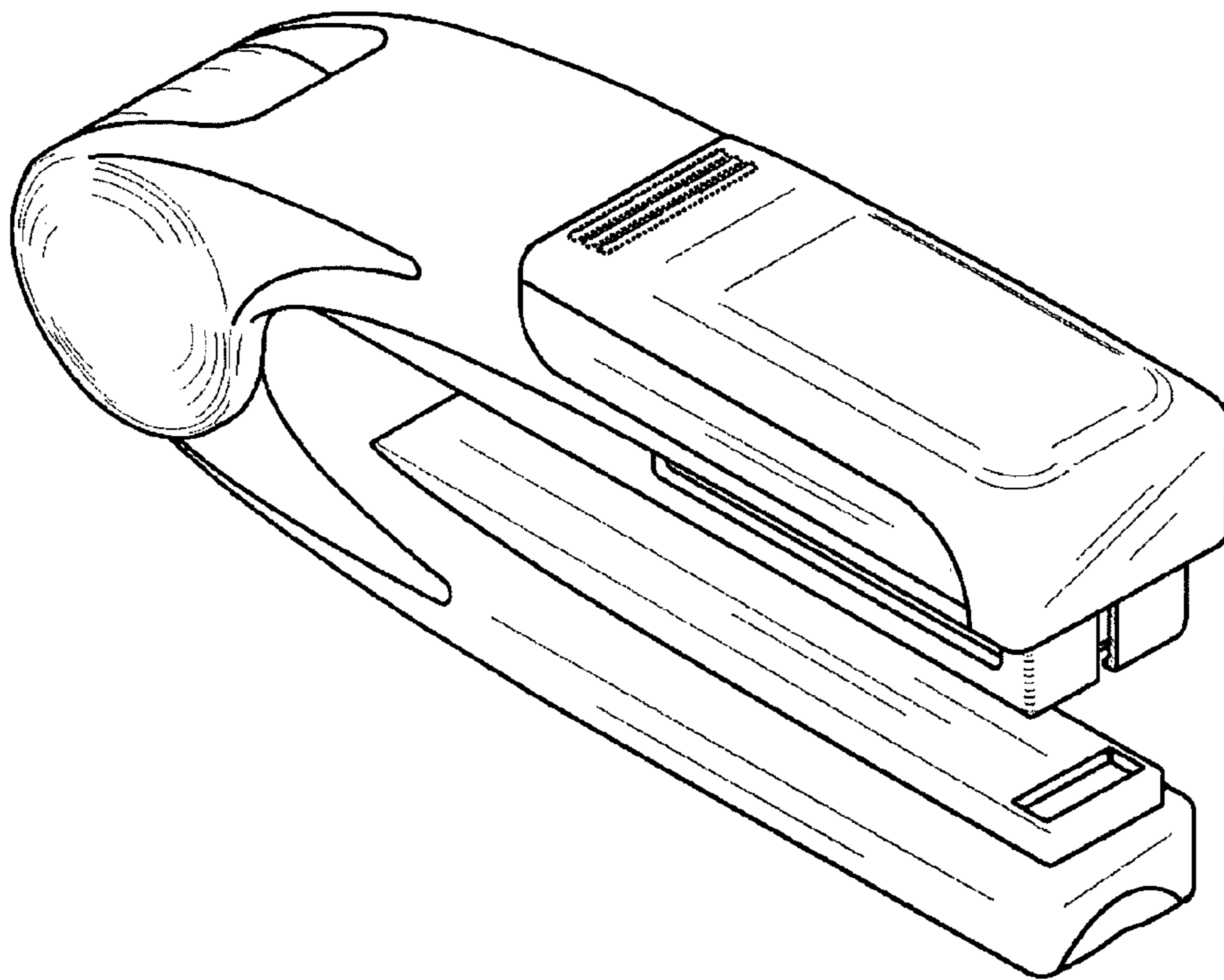


Figure 1

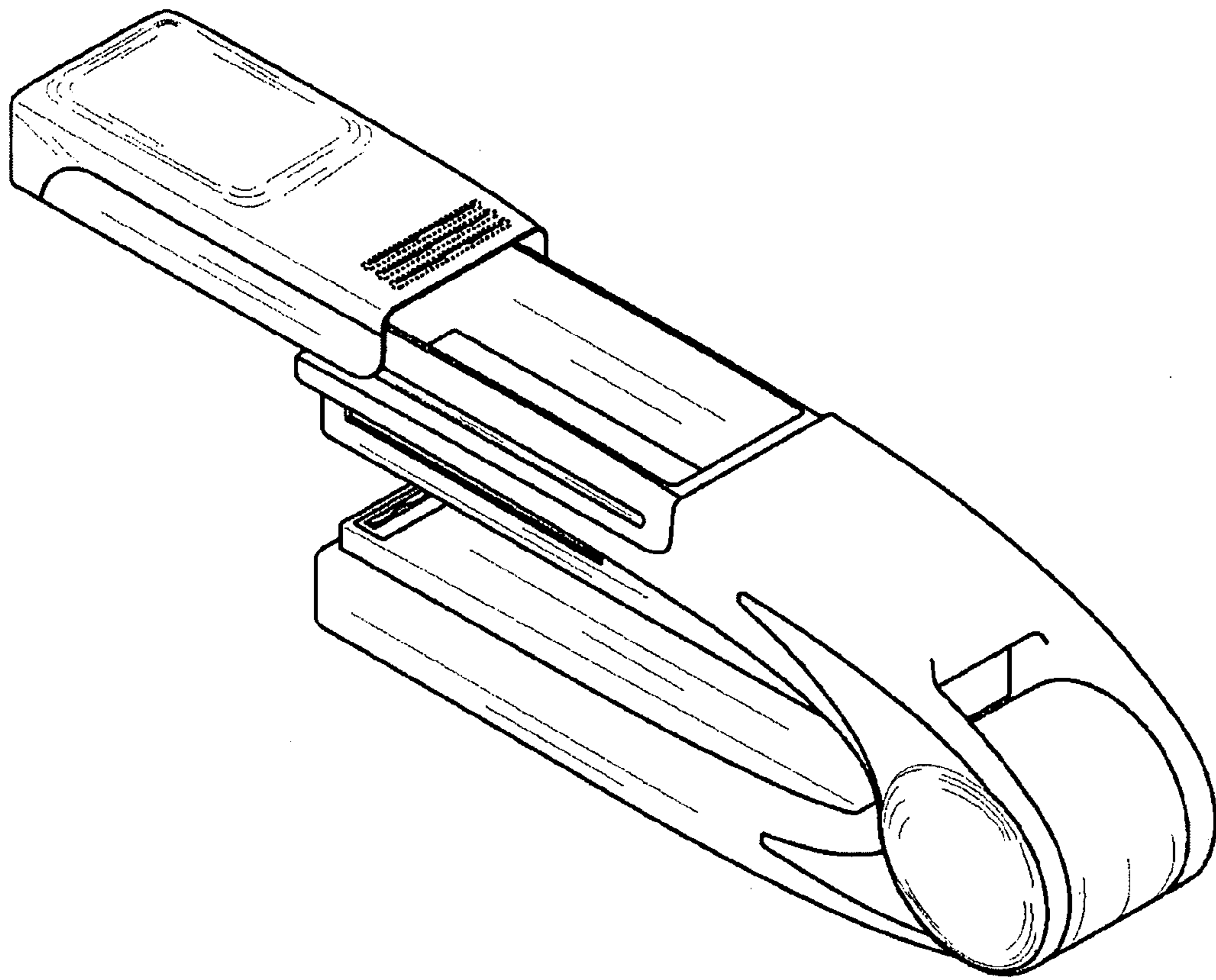


Figure 2

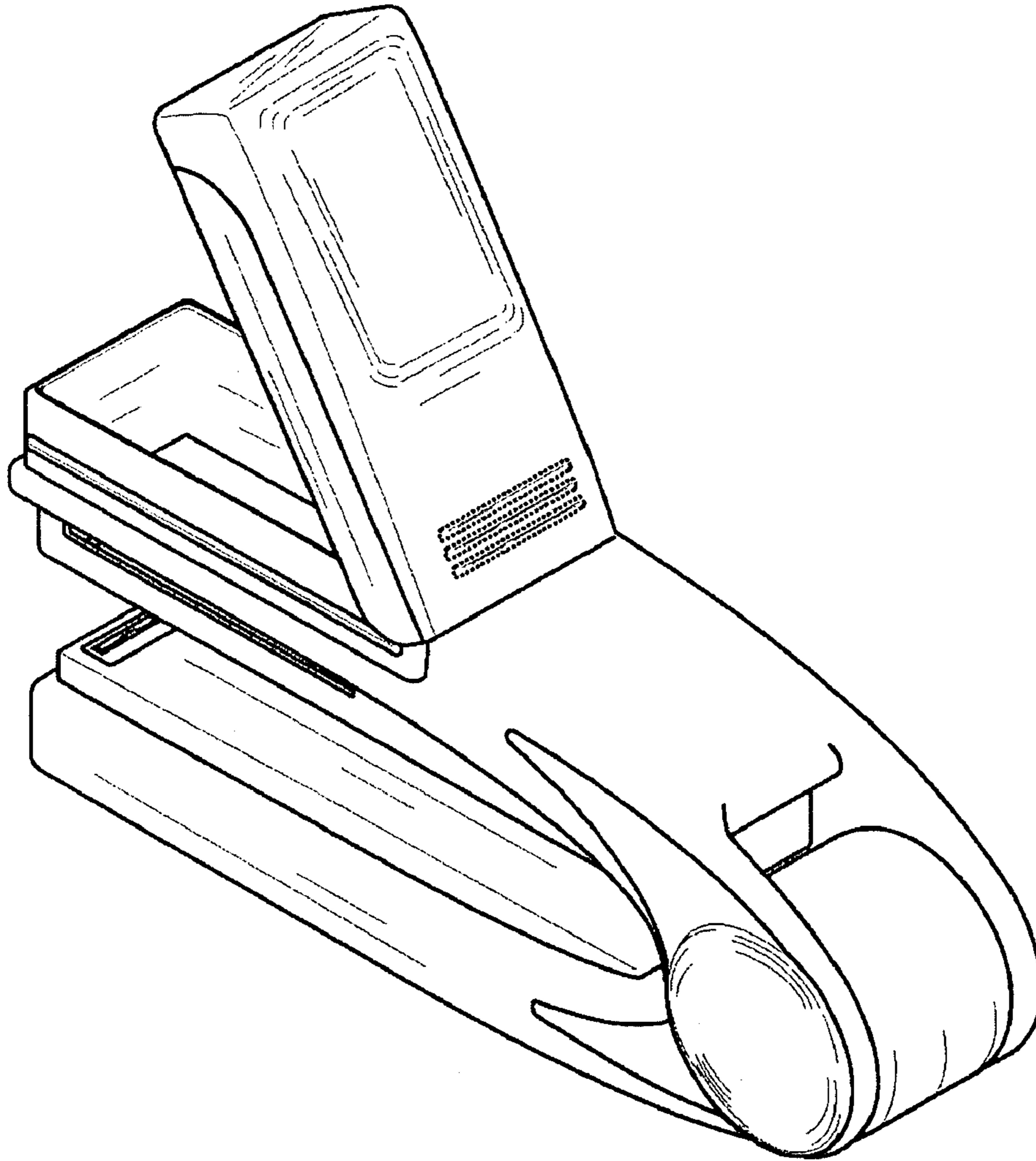


Figure 3

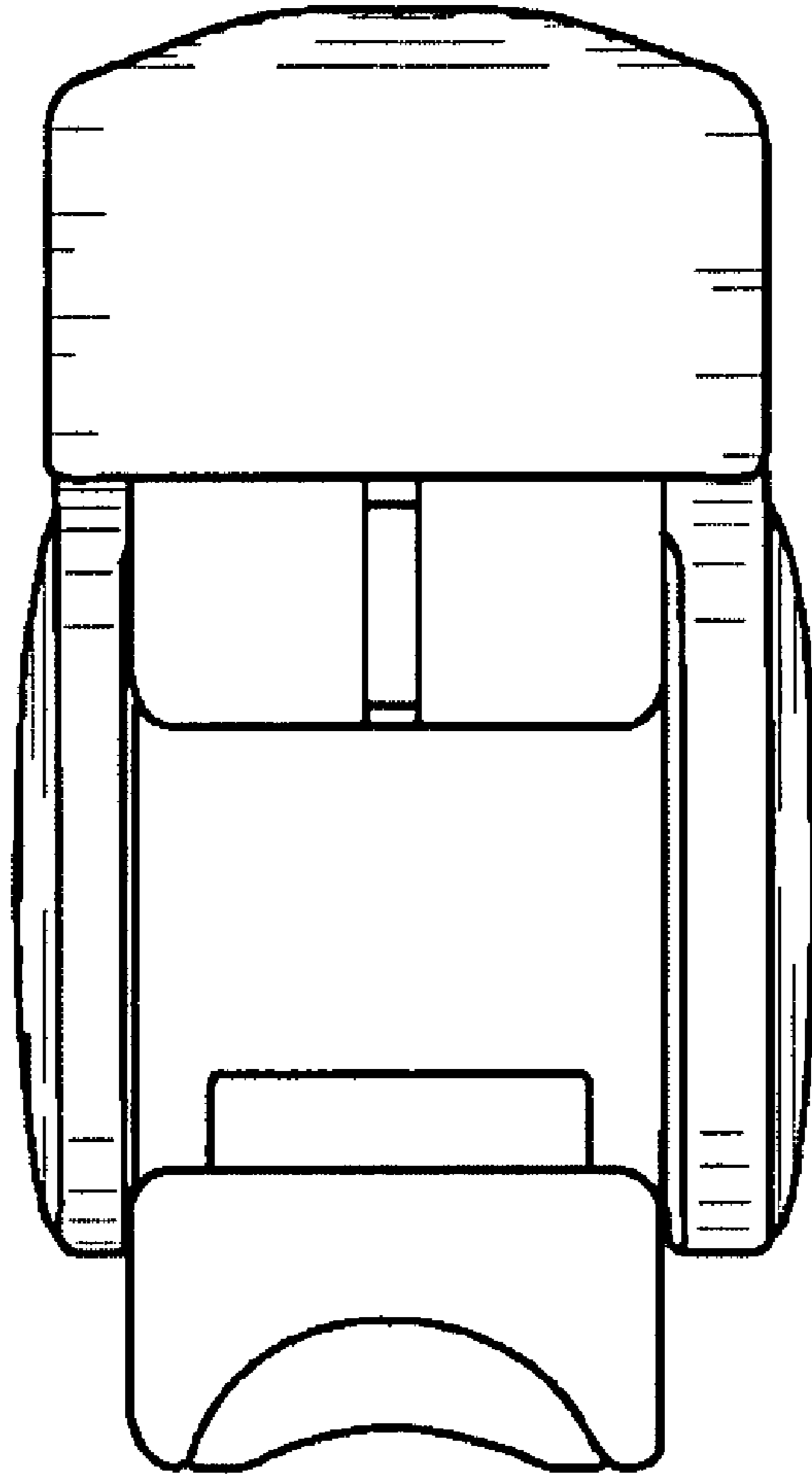


Figure 4



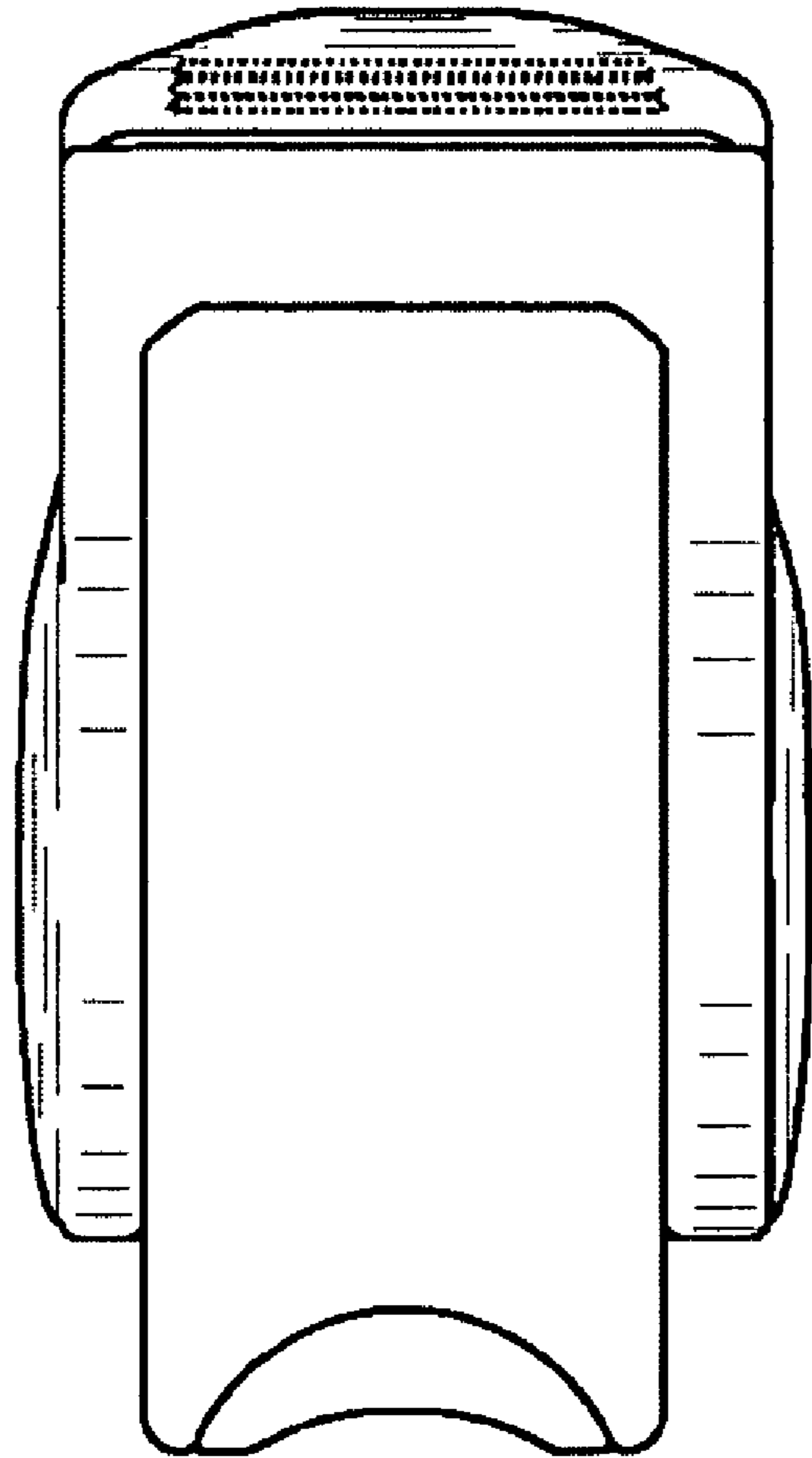


Figure 5

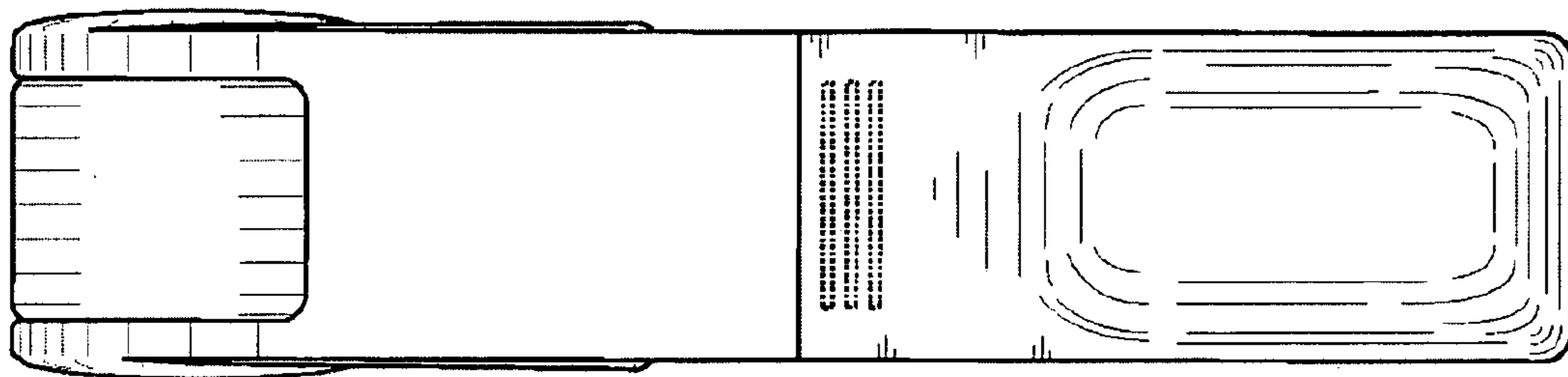


Figure 6

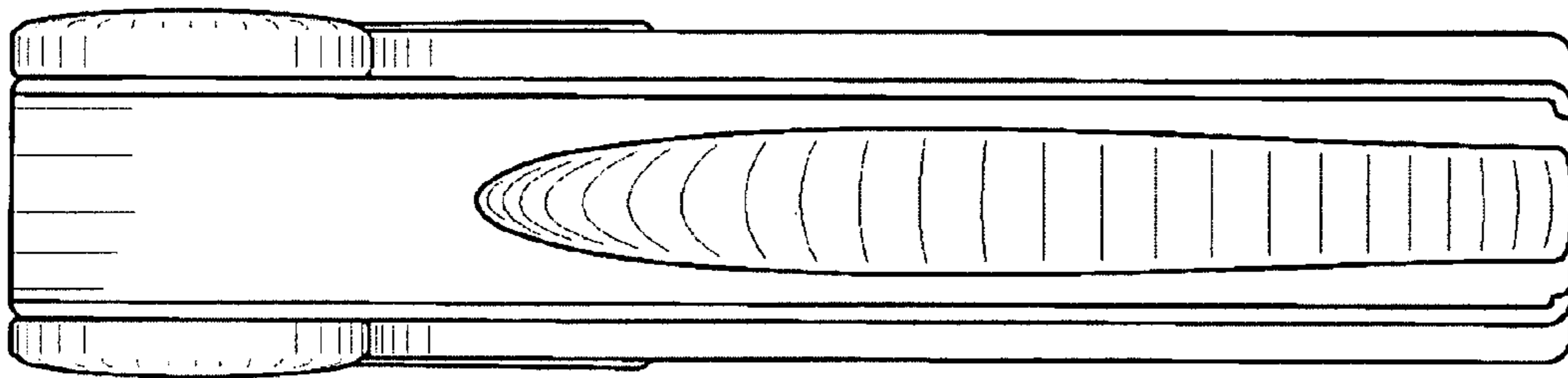


Figure 7



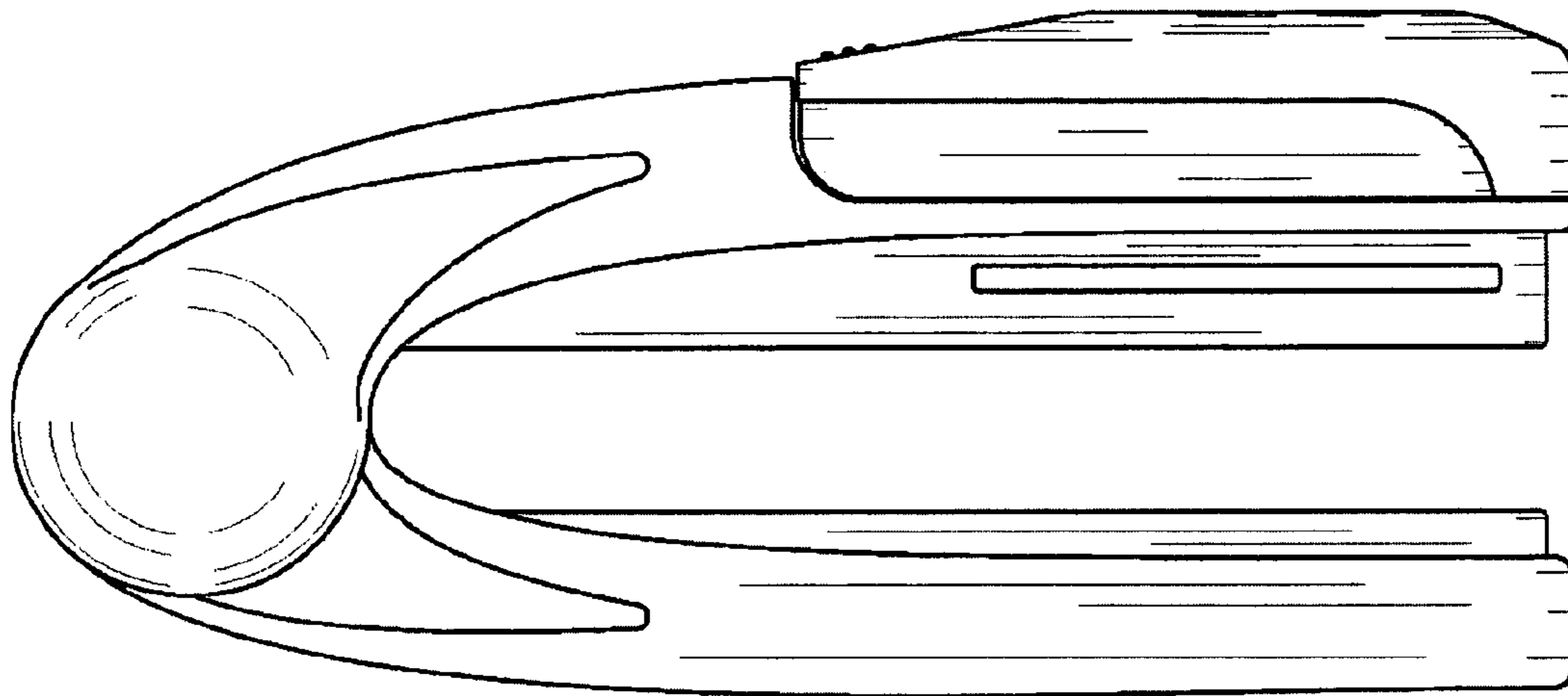


Figure 8

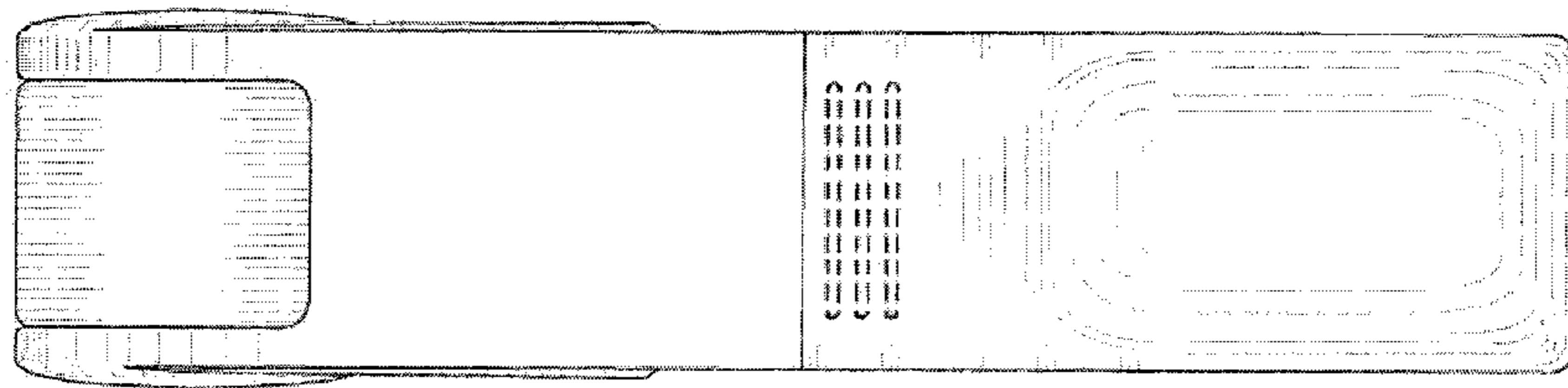


Figure 9

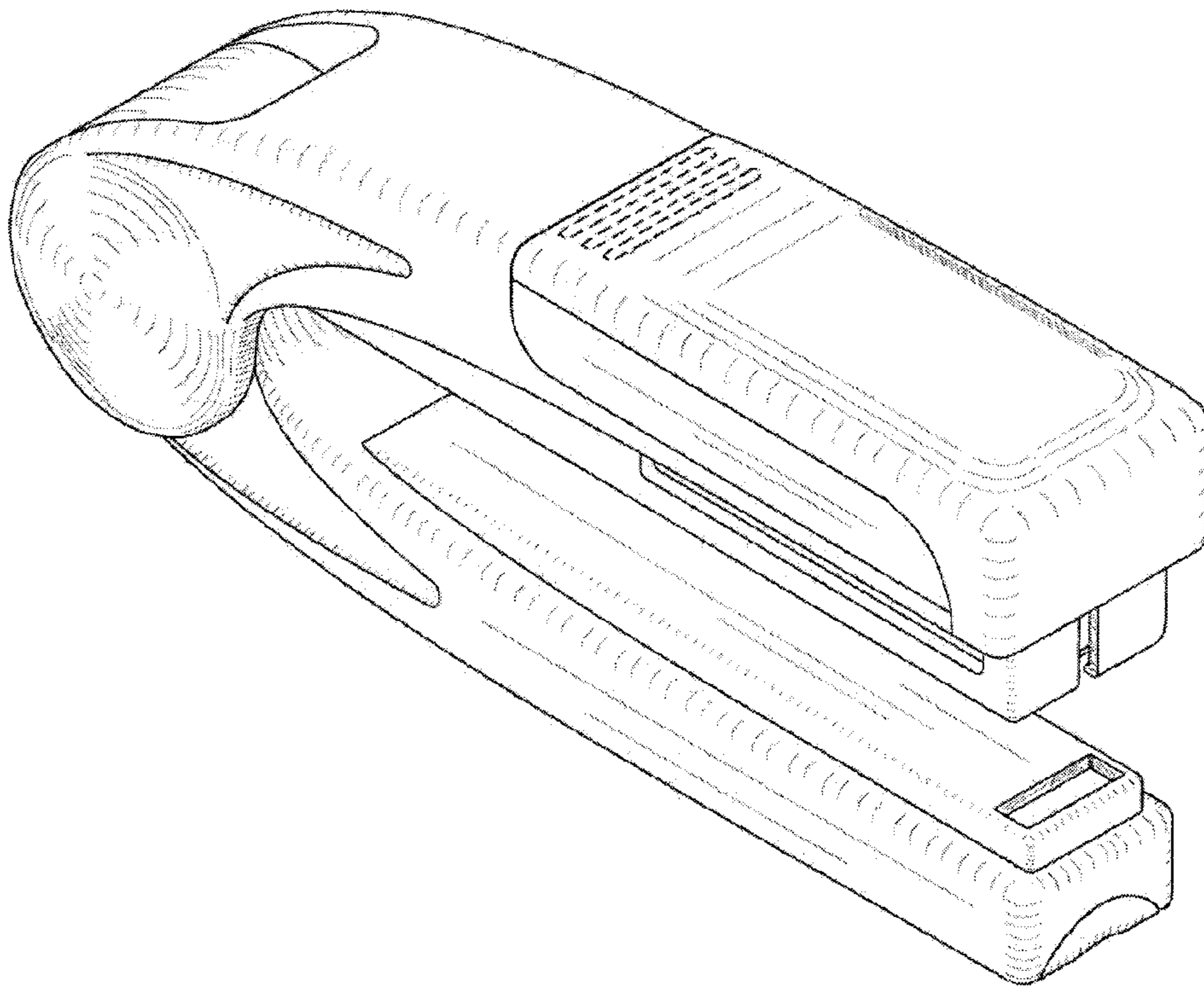


Figure 10

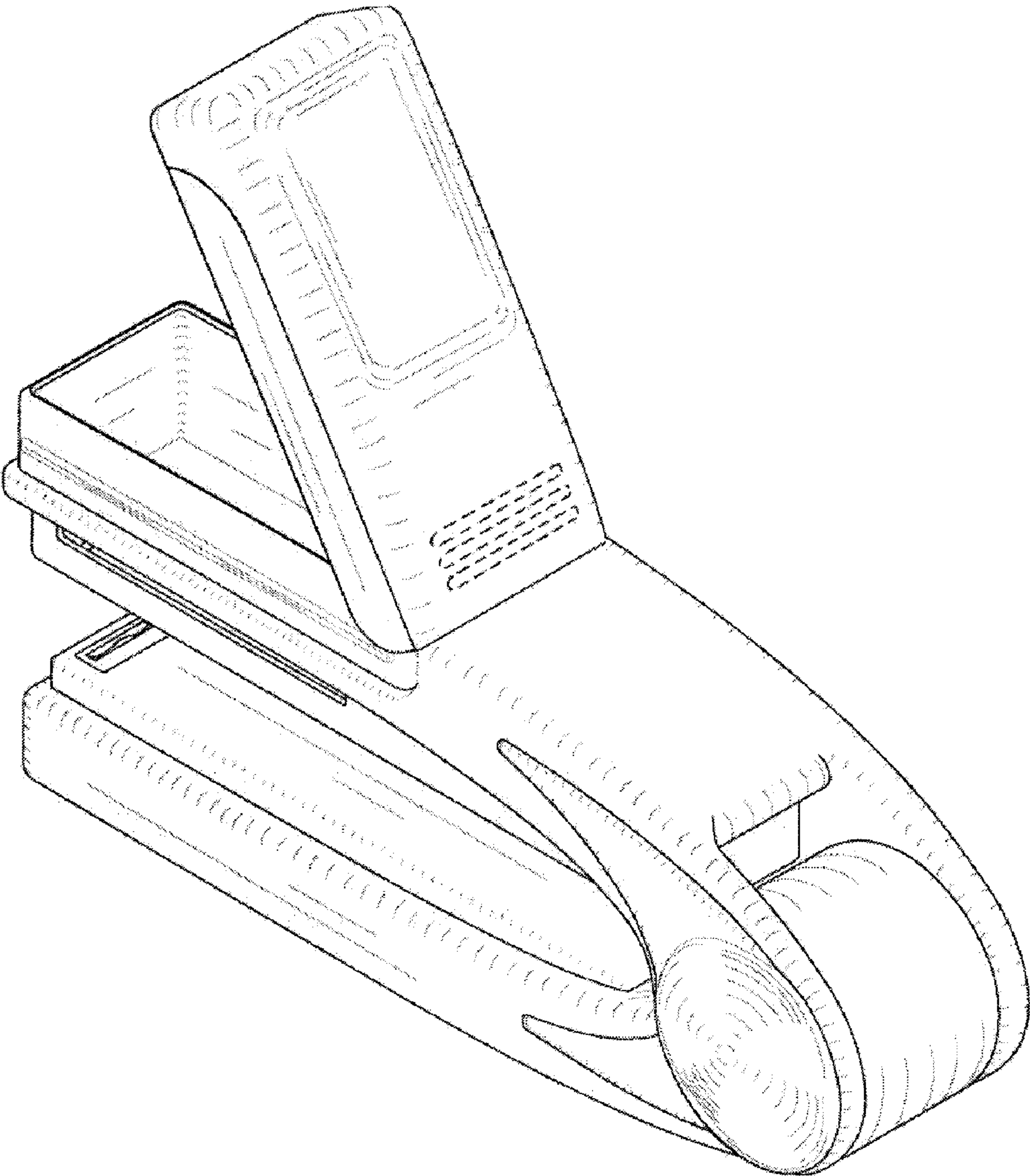


Figure 11

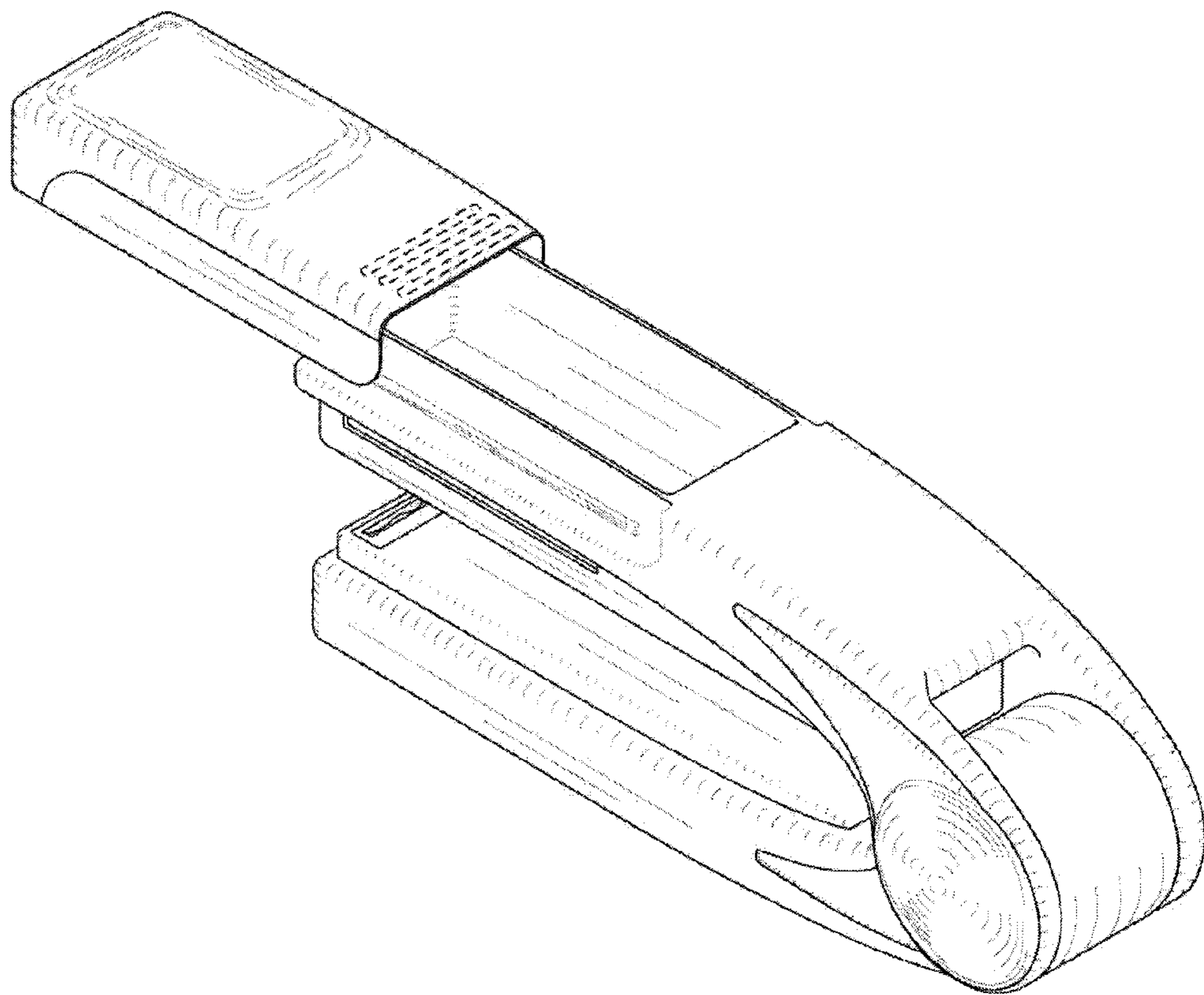


Figure 12

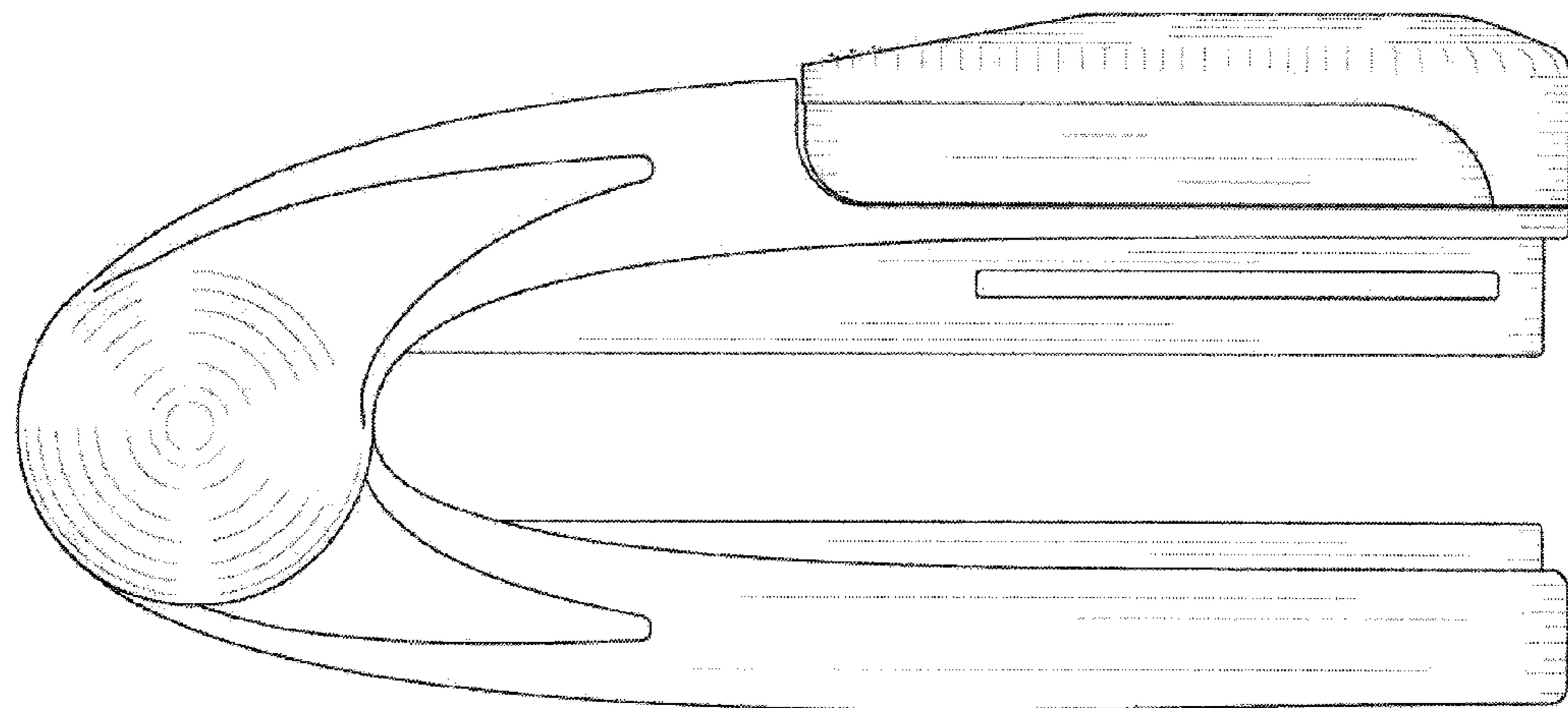


Figure 13



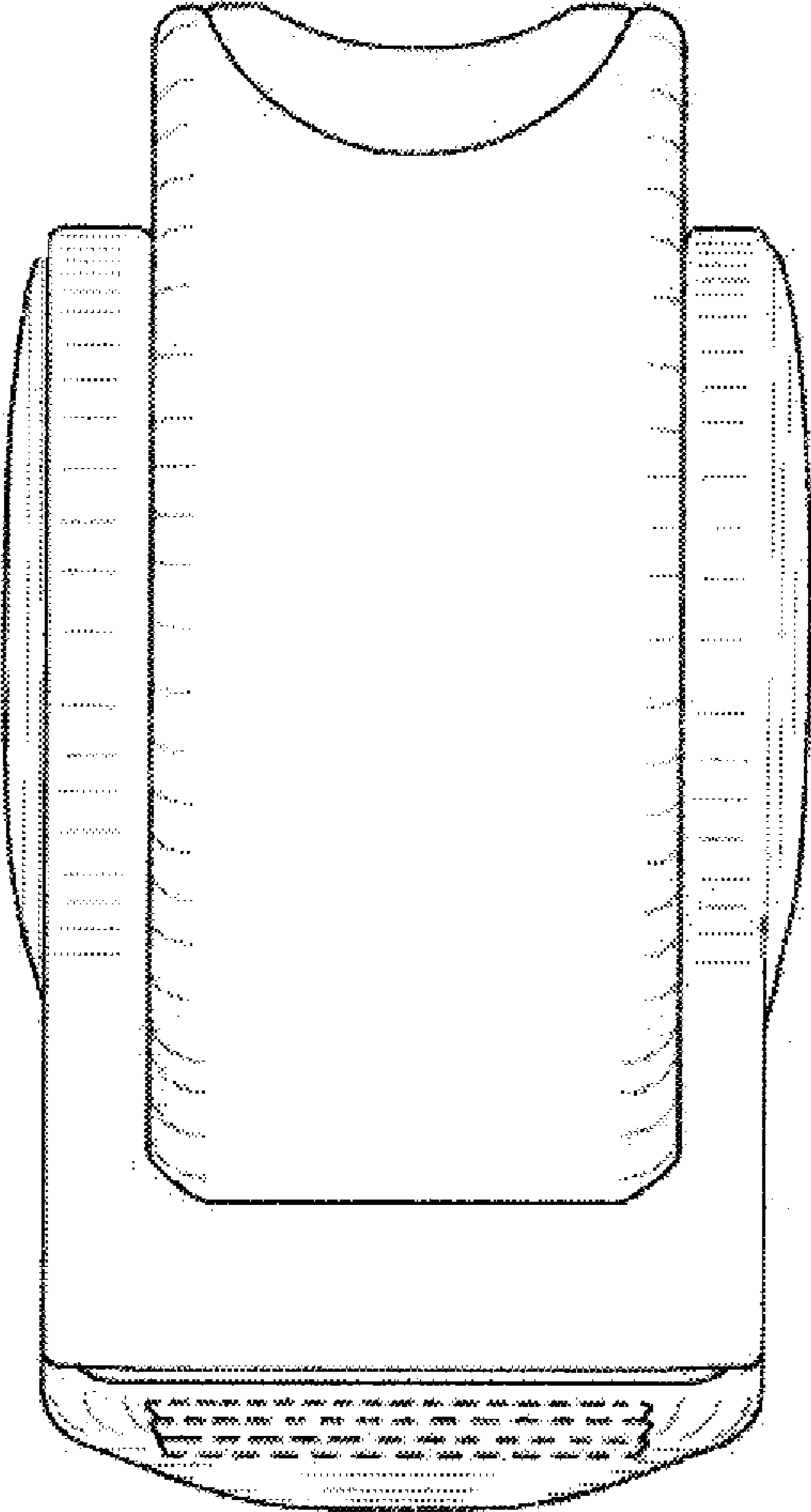


Figure 14