



US00D585254S

(12) **United States Design Patent**
Lorenzen

(10) **Patent No.:** **US D585,254 S**
(45) **Date of Patent:** **** Jan. 27, 2009**

(54) **TURNBUCKLE**
(75) Inventor: **John Lorenzen**, Rodekro (DK)
(73) Assignee: **BSI. A/S** (DK)
(**) Term: **14 Years**

2,913,267 A * 11/1959 Johnson, Jr. 403/46
3,610,606 A * 10/1971 Andrews 267/74
4,901,608 A * 2/1990 Shieh 81/177.8
5,199,335 A * 4/1993 Arnold et al. 81/177.8
5,702,196 A * 12/1997 Petercsak 403/46
6,902,341 B1 * 6/2005 Rauschert 403/43
D560,985 S * 2/2008 Quorning D8/25

(21) Appl. No.: **29/259,373**
(22) Filed: **May 8, 2006**

* cited by examiner

Primary Examiner—Holly H Baynham
(74) *Attorney, Agent, or Firm*—St. Onge Steward Johnston & Reens LLC

(30) **Foreign Application Priority Data**
Nov. 8, 2005 (DK) DA 2005 00320

(57) **CLAIM**

(51) **LOC (9) Cl.** **08-05**
(52) **U.S. Cl.** **D8/25**
(58) **Field of Classification Search** D8/25;
403/46, 43, 60; 81/177.8, 177.85, 177.1,
81/121.1, 124.3, 119, 125, 124.4, 124.7,
81/125.1, 185, 186, 185.2, 180.1
See application file for complete search history.

The ornamental design for a turnbuckle, as shown and described in the drawings.

DESCRIPTION

FIG. 1 is a front, top and right side elevation view of a first embodiment of a turnbuckle in accordance with the new design;

(56) **References Cited**

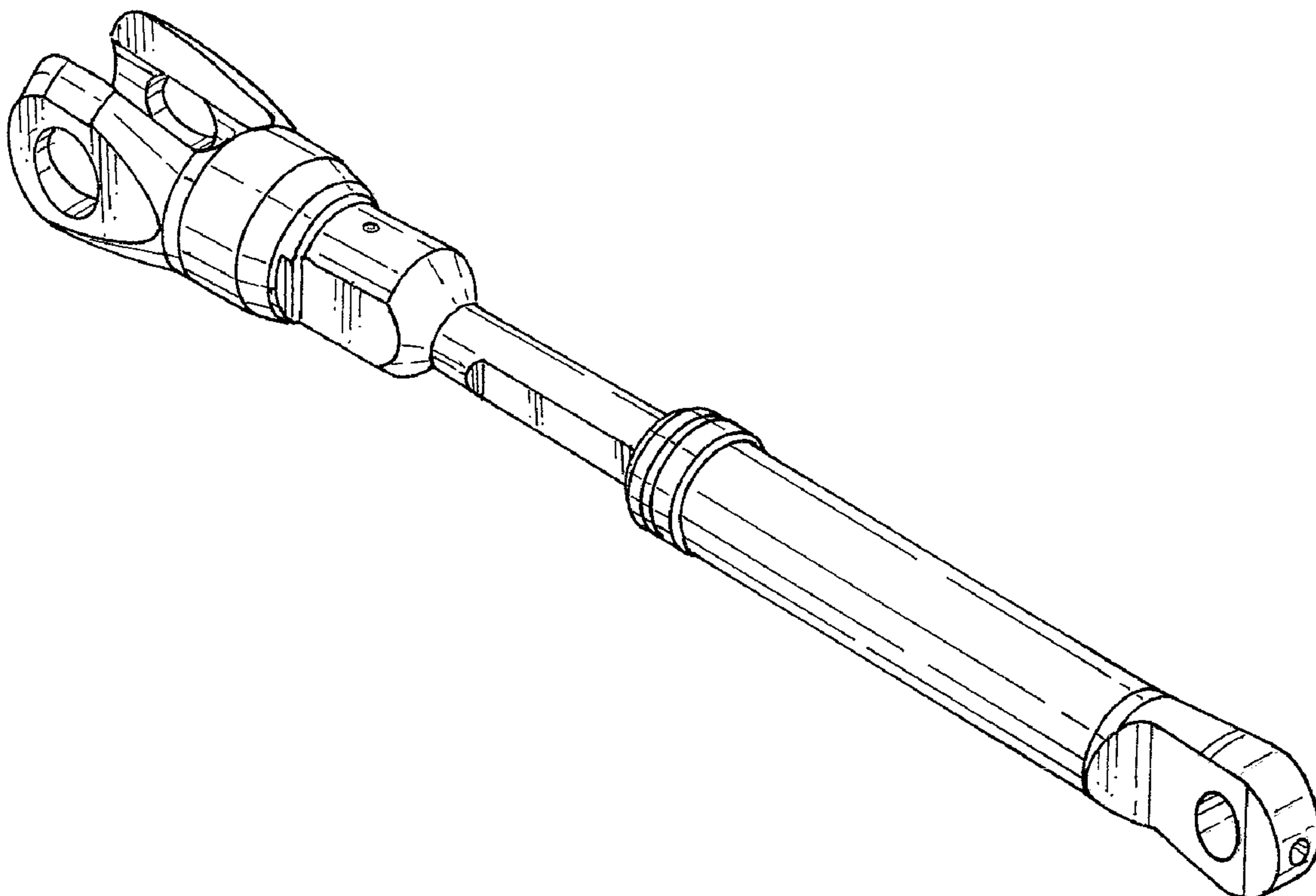
U.S. PATENT DOCUMENTS

1,423,235 A * 7/1922 McArthur 403/43
2,352,585 A * 6/1944 Camburn 403/46
2,395,546 A * 2/1946 Harrington 403/46
2,403,402 A * 7/1946 Rossi 403/180
2,903,283 A * 9/1959 Sweetland 403/78

FIG. 2 is a rear, bottom and left side elevation view thereof;
FIG. 3 is a front, top and right side elevation view of a second embodiment of a turnbuckle in accordance with the new design; and,

FIG. 4 is a rear, bottom and left side elevation view thereof.

1 Claim, 4 Drawing Sheets



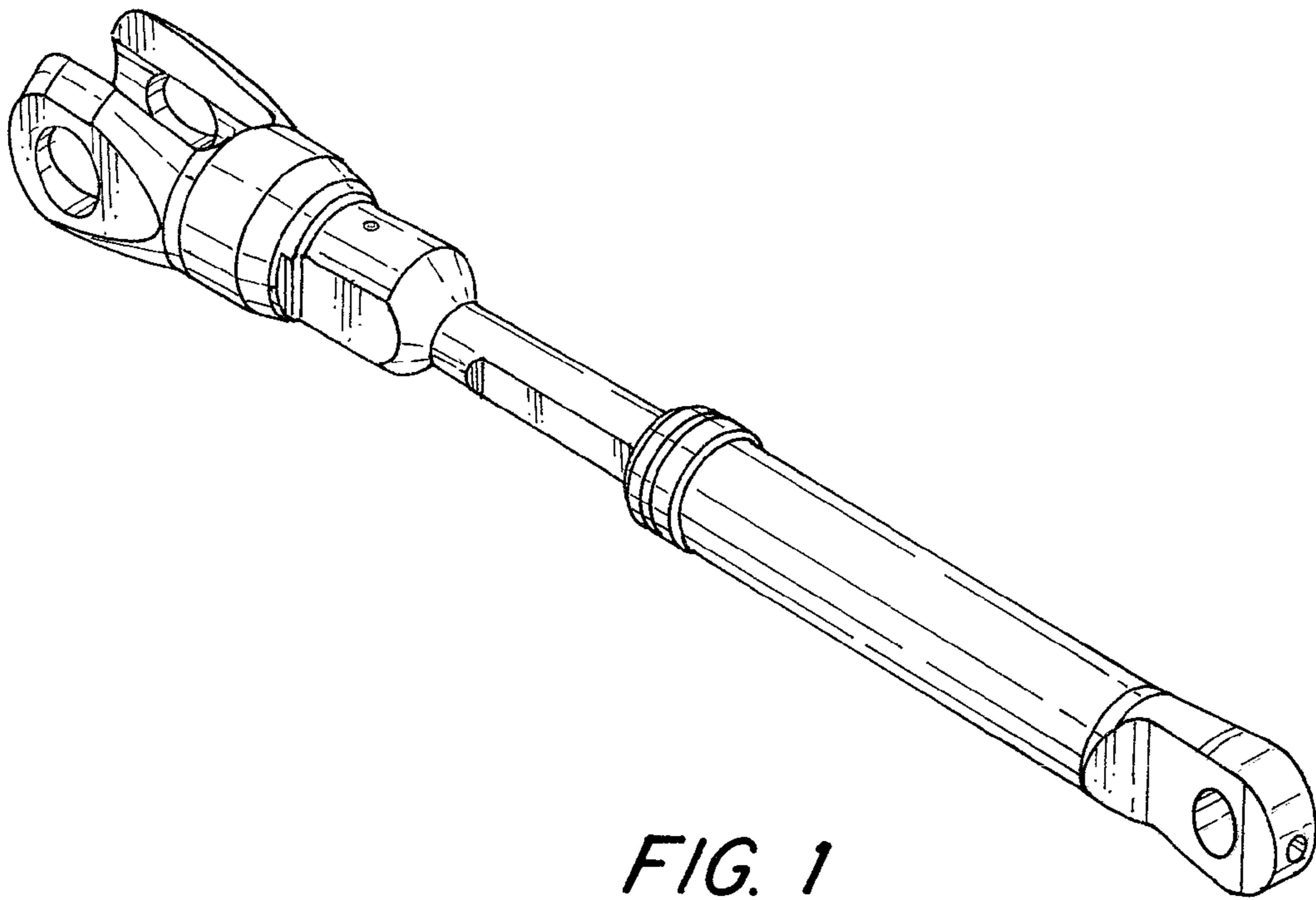


FIG. 1

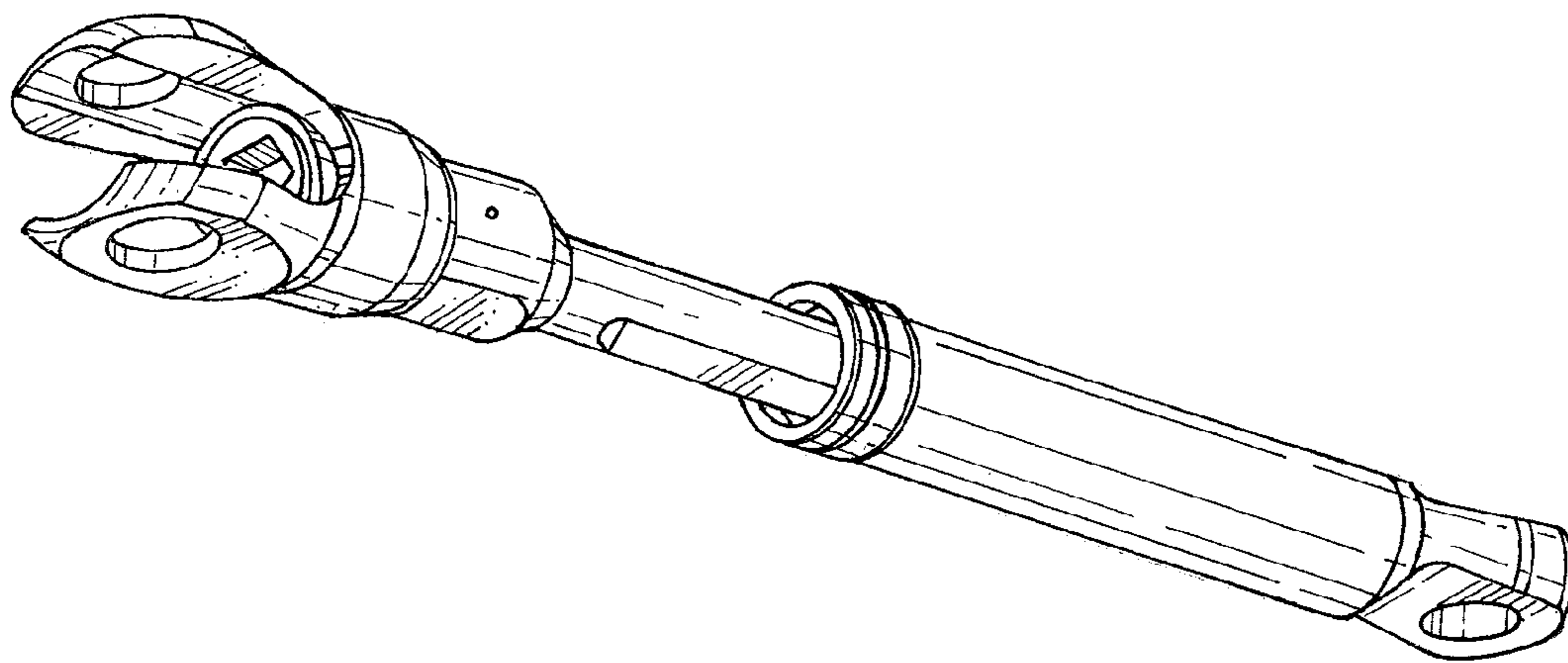


FIG. 2

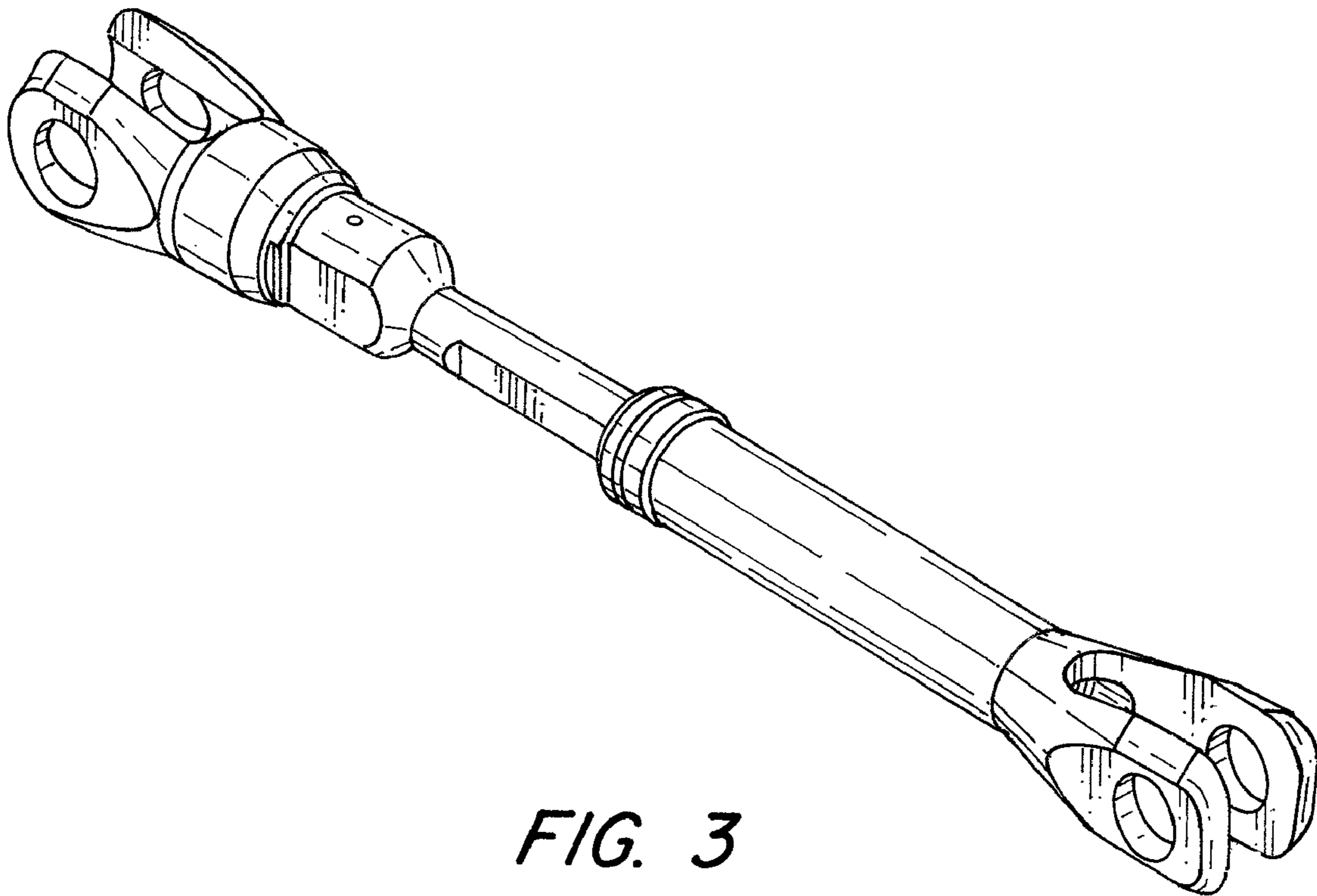


FIG. 3

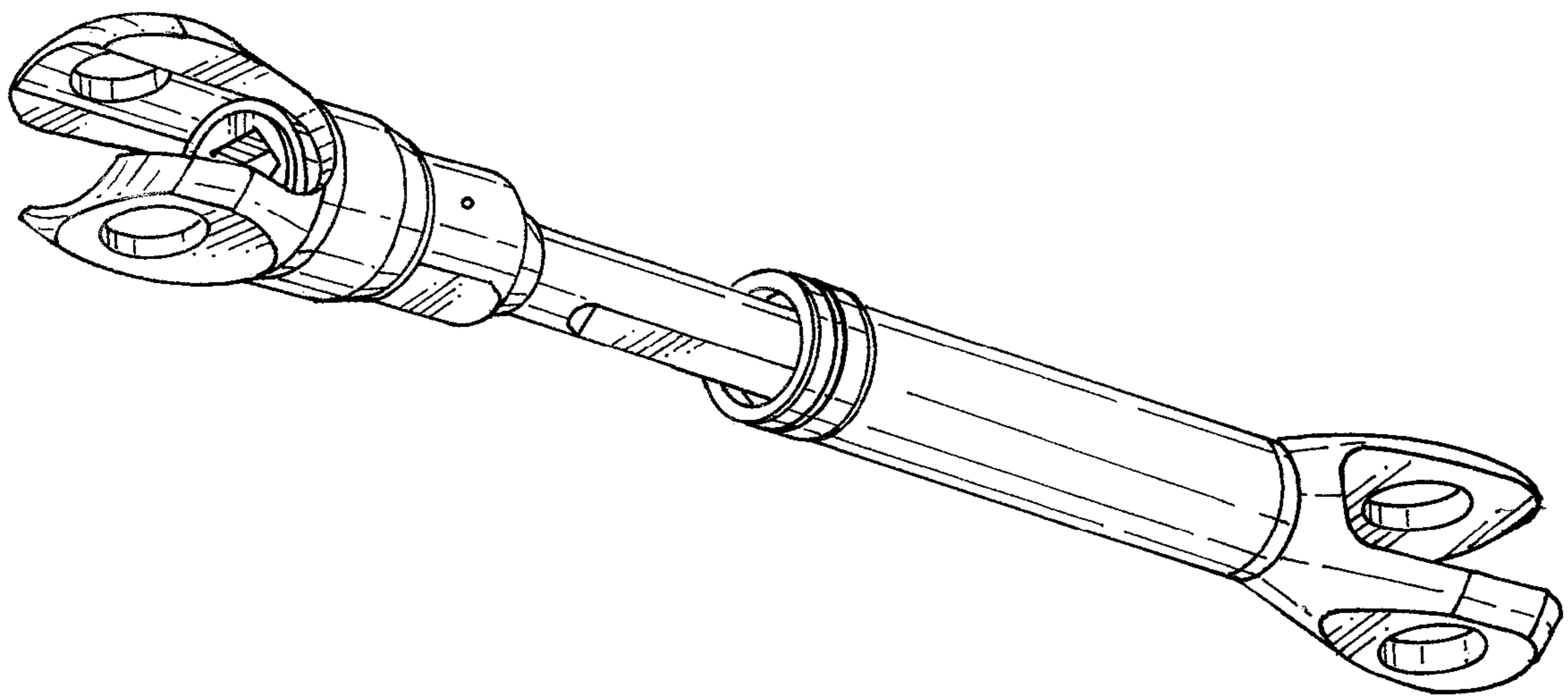


FIG. 4