



US00D585253S

(12) **United States Design Patent**
Aglassinger

(10) **Patent No.:** **US D585,253 S**

(45) **Date of Patent:** **** *Jan. 27, 2009**

(54) **POLE CART FOR GRASS SHEAR**

(75) Inventor: **Hans-Peter Aglassinger**, Esslingen (DE)

(73) Assignee: **Robert Bosch GmbH**, Stuttgart (DE)

(*) Notice: This patent is subject to a terminal disclaimer.

(**) Term: **14 Years**

(21) Appl. No.: **29/280,030**

(22) Filed: **May 15, 2007**

(51) **LOC (9) Cl.** **08-01**

(52) **U.S. Cl.** **D8/8**

(58) **Field of Classification Search** D8/7,
D8/8, 14; 56/12.7; 30/276

See application file for complete search history.

(56) **References Cited**

U.S. PATENT DOCUMENTS

2,924,929	A *	2/1960	Albertson et al.	56/11.9
D206,890	S *	2/1967	Adams	D8/8
4,512,143	A *	4/1985	Jimenez	56/16.7
4,531,350	A *	7/1985	Huthmacher	56/17.5
D285,079	S *	8/1986	Huthmacher	D8/7

4,879,869	A *	11/1989	Buckendorf, Jr.	56/12.7
5,092,112	A *	3/1992	Buckendorf, Jr.	56/17.5
D423,308	S *	4/2000	Marshall et al.	D8/8
D550,525	S *	9/2007	Aglassinger	D8/8

* cited by examiner

Primary Examiner—Holly H. Baynham

Assistant Examiner—Sheryl Lane

(74) *Attorney, Agent, or Firm*—Victor A. Henzi

(57) **CLAIM**

The ornamental design for the pole cart for grass shear, as shown and described.

DESCRIPTION

FIG. 1 is a front left perspective view of the pole cart for grass shear;

FIG. 2 is a front elevational view thereof;

FIG. 3 is a left elevational view thereof;

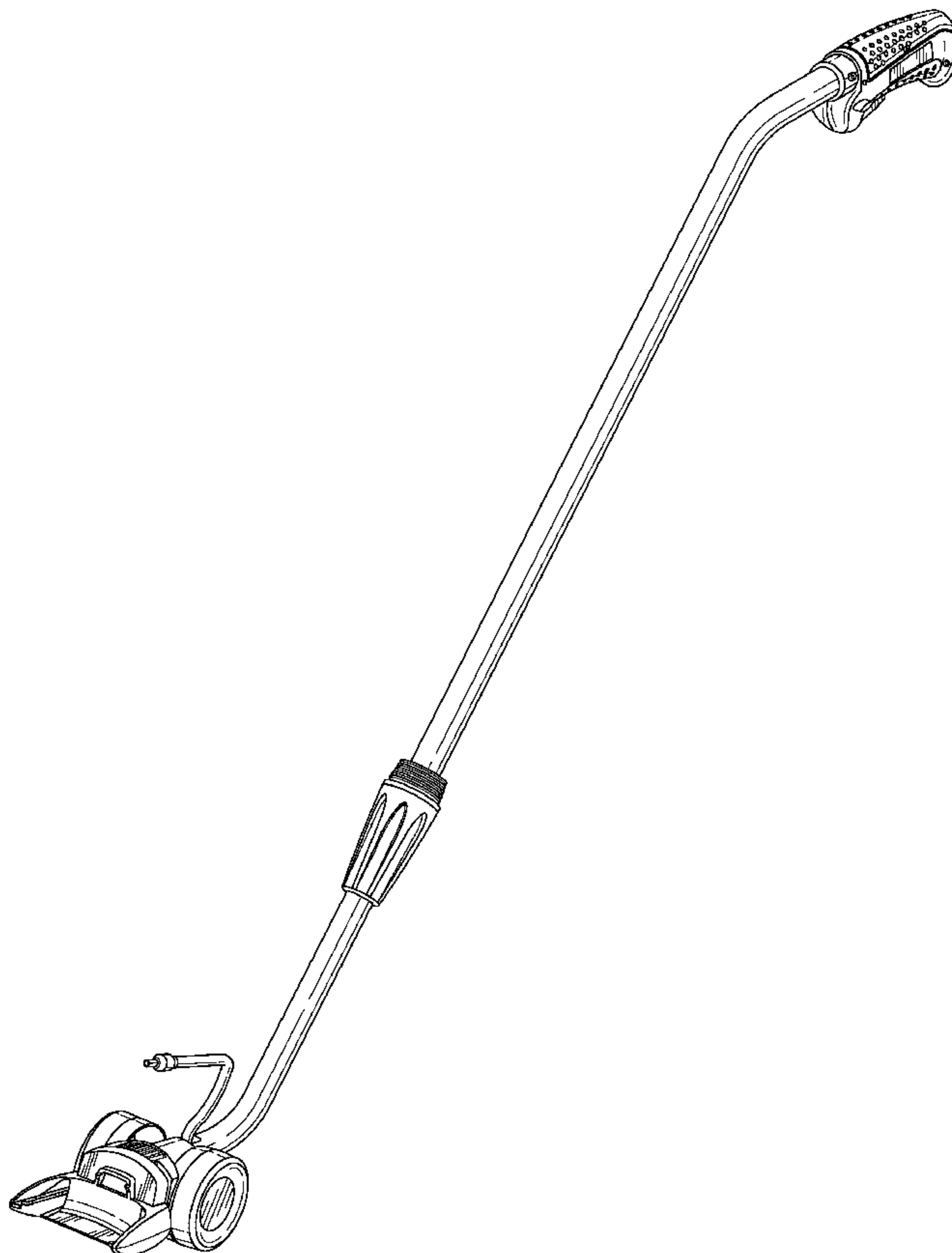
FIG. 4 is a rear elevational view thereof;

FIG. 5 is a right elevational view thereof;

FIG. 6 is a bottom plan view thereof; and,

FIG. 7 is a top plan view thereof.

1 Claim, 6 Drawing Sheets



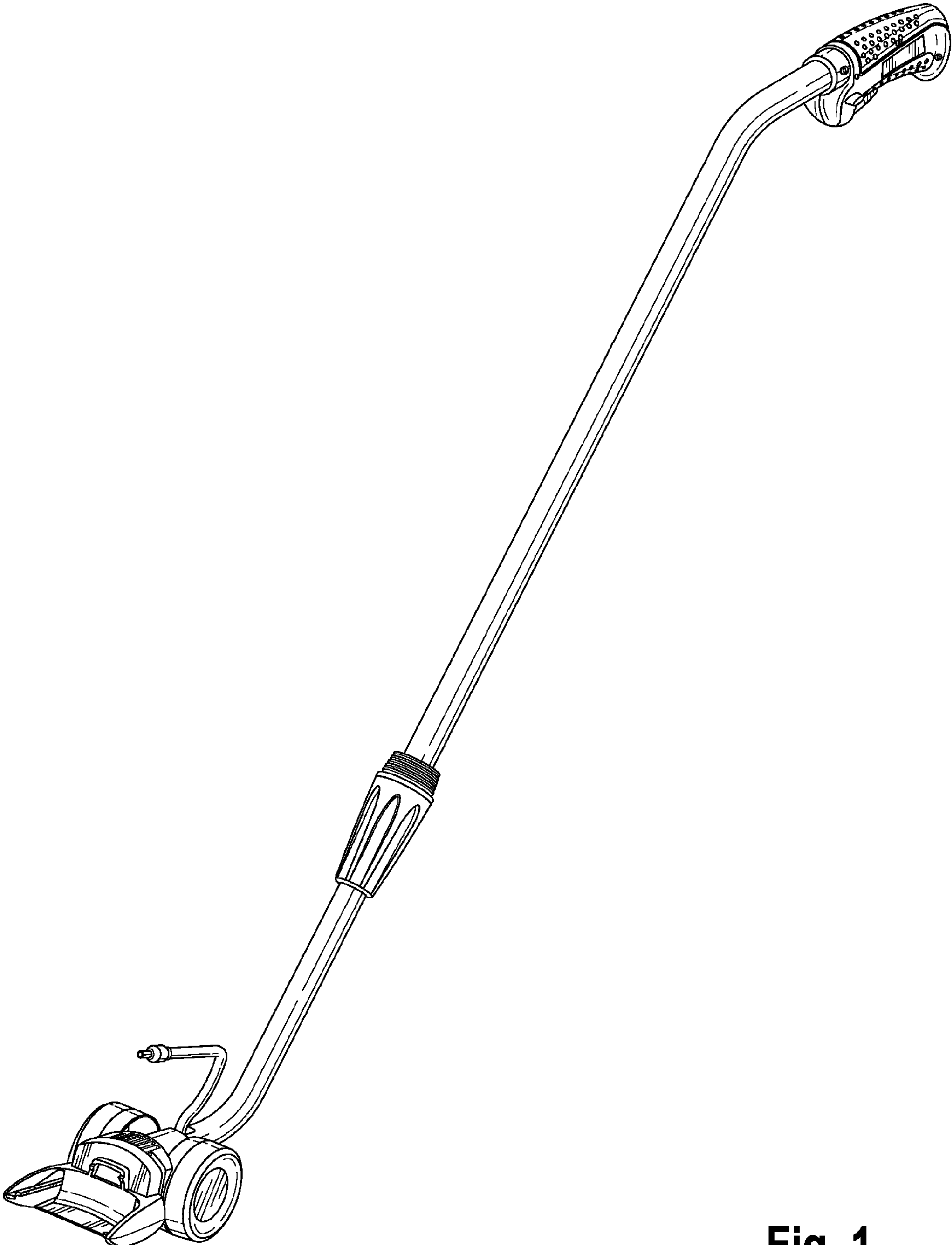


Fig. 1

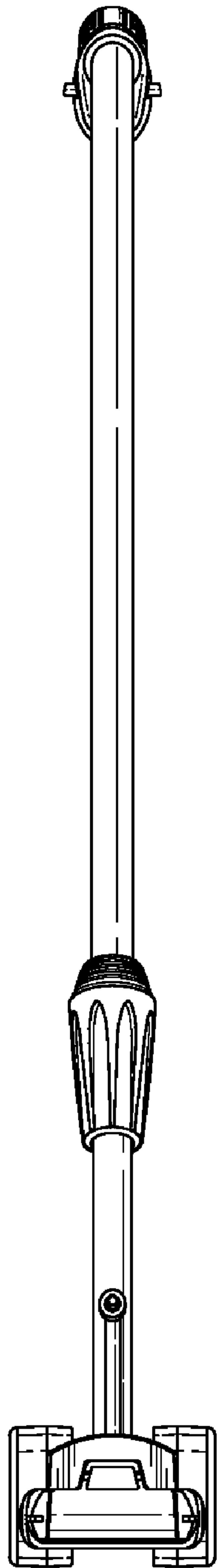


Fig. 2

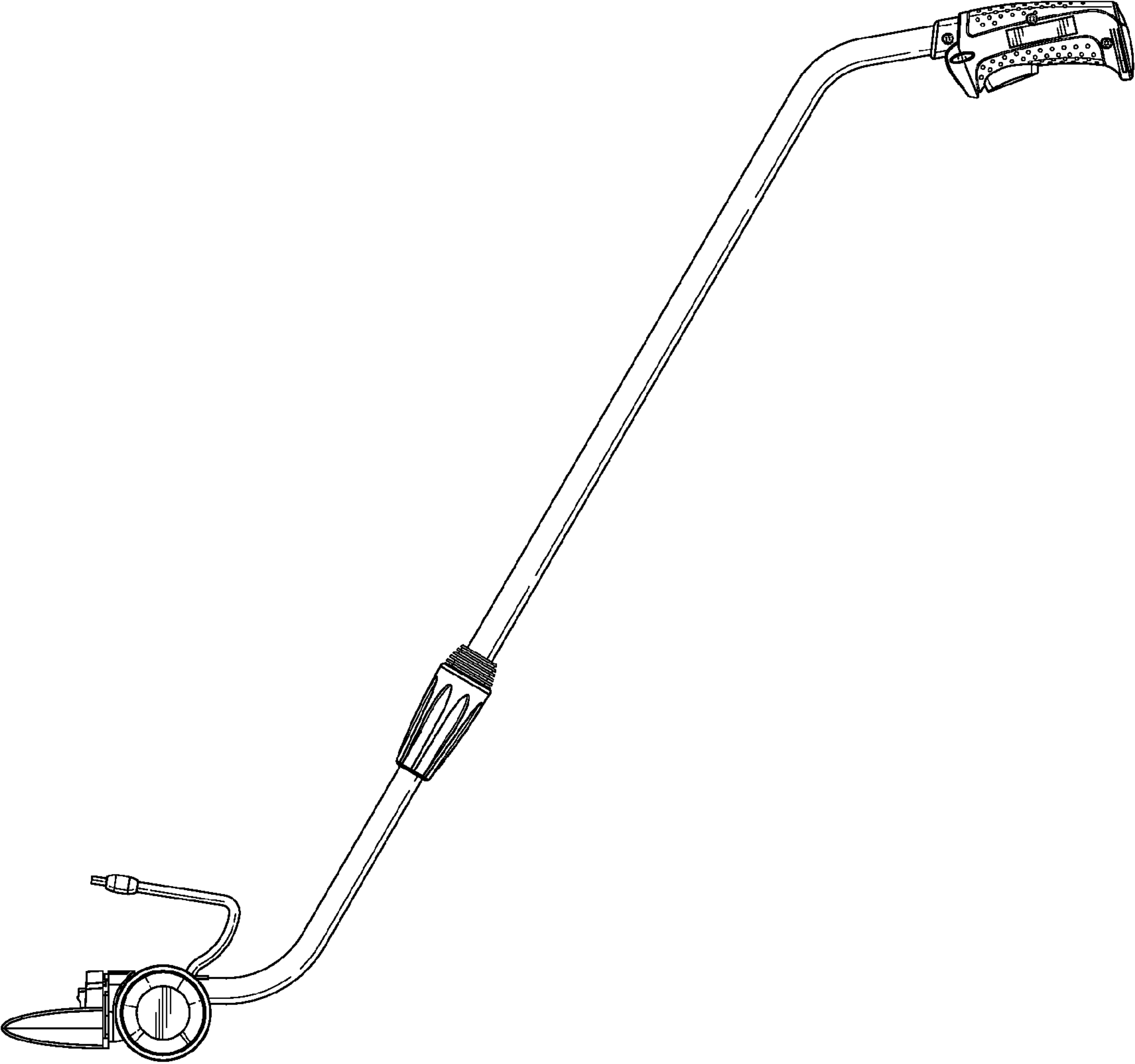


Fig. 3

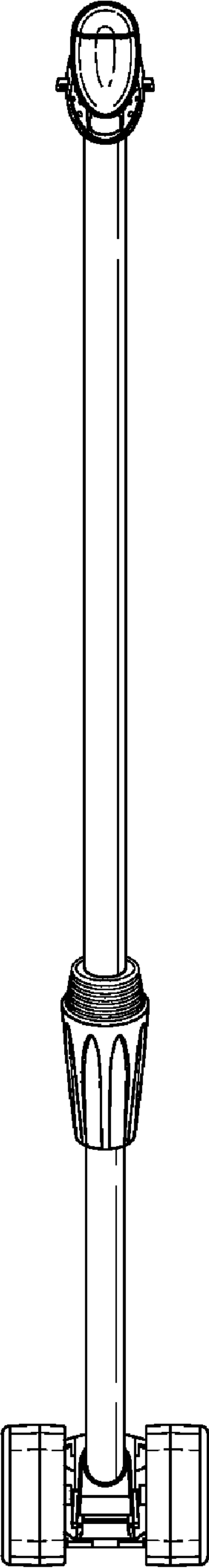


Fig. 4

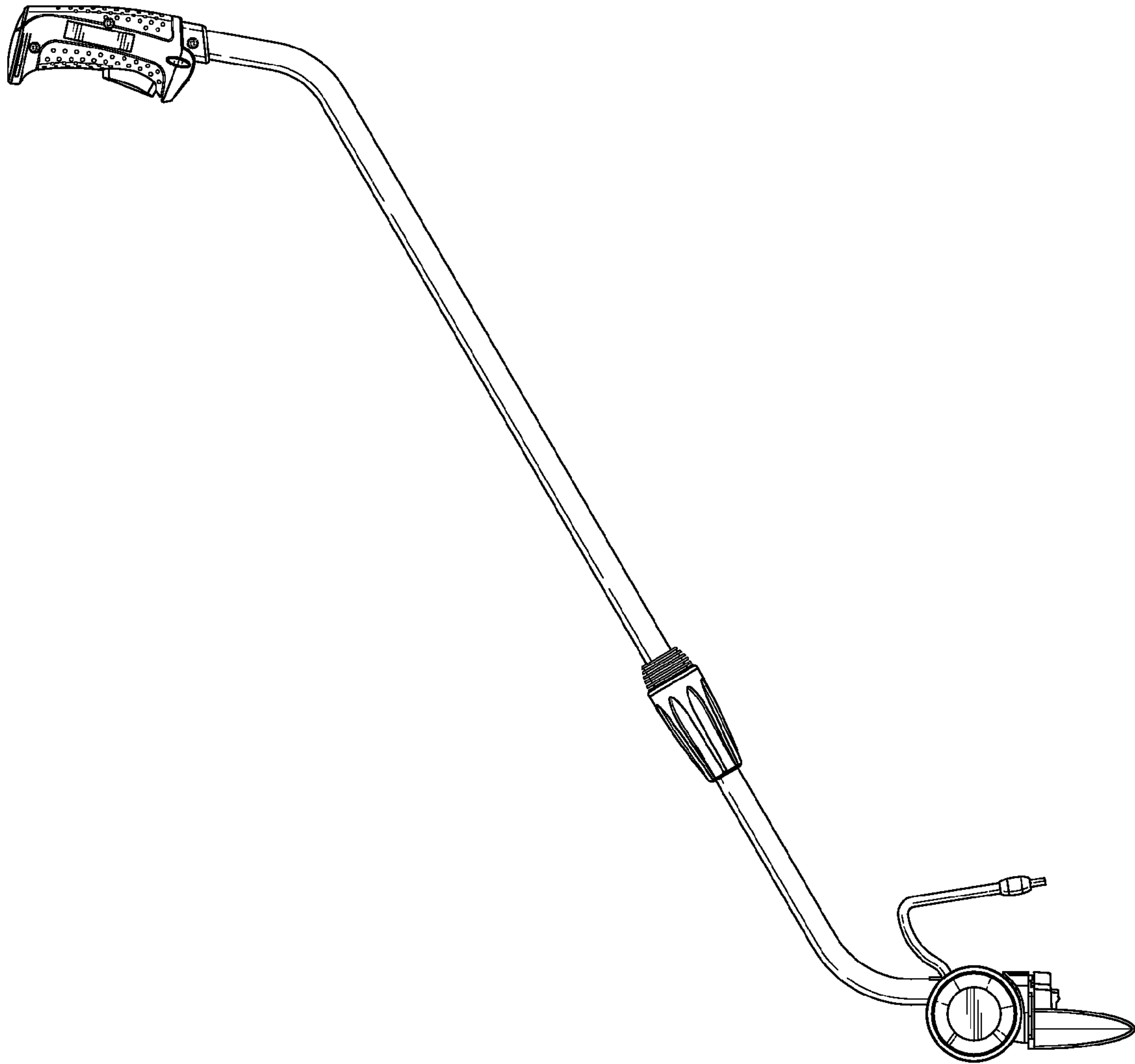


Fig. 5

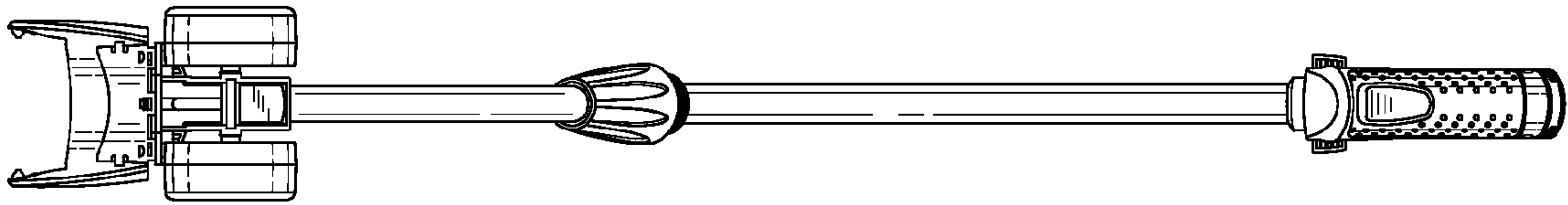


Fig. 6

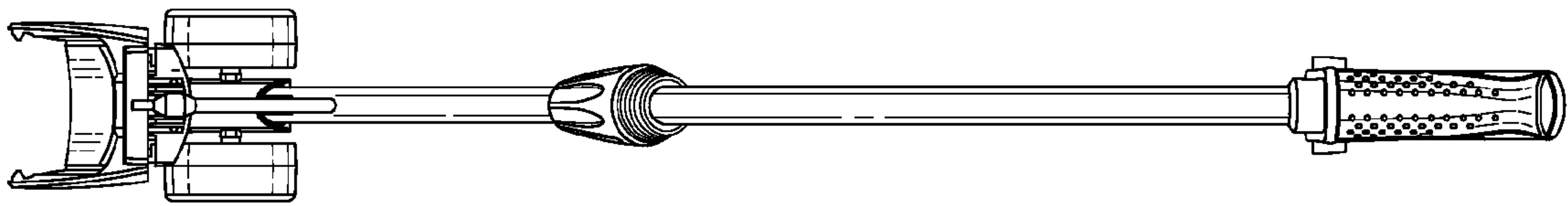


Fig. 7