



US00D585248S

(12) **United States Design Patent**
Markwardt

(10) **Patent No.:** **US D585,248 S**

(45) **Date of Patent:** **** Jan. 27, 2009**

(54) **FOOD LIFTER**

(76) Inventor: **Terry Markwardt**, 2005 Key West
Cove, Austin, TX (US) 78746

(**) Term: **14 Years**

(21) Appl. No.: **29/304,174**

(22) Filed: **Feb. 26, 2008**

(51) **LOC (9) Cl.** **07-04**

(52) **U.S. Cl.** **D7/683**

(58) **Field of Classification Search** D7/683,
D7/669, 368, 601; D8/14, 16; 99/415-419,
99/345, 426, 421 R, 425, 421 V; 16/110.1,
16/430, 431

See application file for complete search history.

(56) **References Cited**

U.S. PATENT DOCUMENTS

D304,539 S *	11/1989	Johansson	D7/683
D319,949 S *	9/1991	Pollack	D7/683
5,274,948 A *	1/1994	Harrison et al.	43/53.5
6,360,637 B1 *	3/2002	Weinraub	81/488
D546,147 S *	7/2007	Cullen	D8/16

* cited by examiner

Primary Examiner—Terry A Wallace

(74) *Attorney, Agent, or Firm*—Scheinberg & Griner, LLP;
David Griner

(57) **CLAIM**

I claim the ornamental design for the food lifter, as shown and described.

DESCRIPTION

The article in which the present design is embodied is an “S” shaped hook with a handle. When used, the food lifter is able to enter or puncture a food item for lifting or moving the food item.

FIG. 1 is a front perspective view of a food lifter according to the present design; the rear view would be a mirror image of the front view.

FIG. 2 is a front view of the food lifter according to the present design being used to lift a cooked turkey.

FIG. 3 is a right side view of the food lifter.

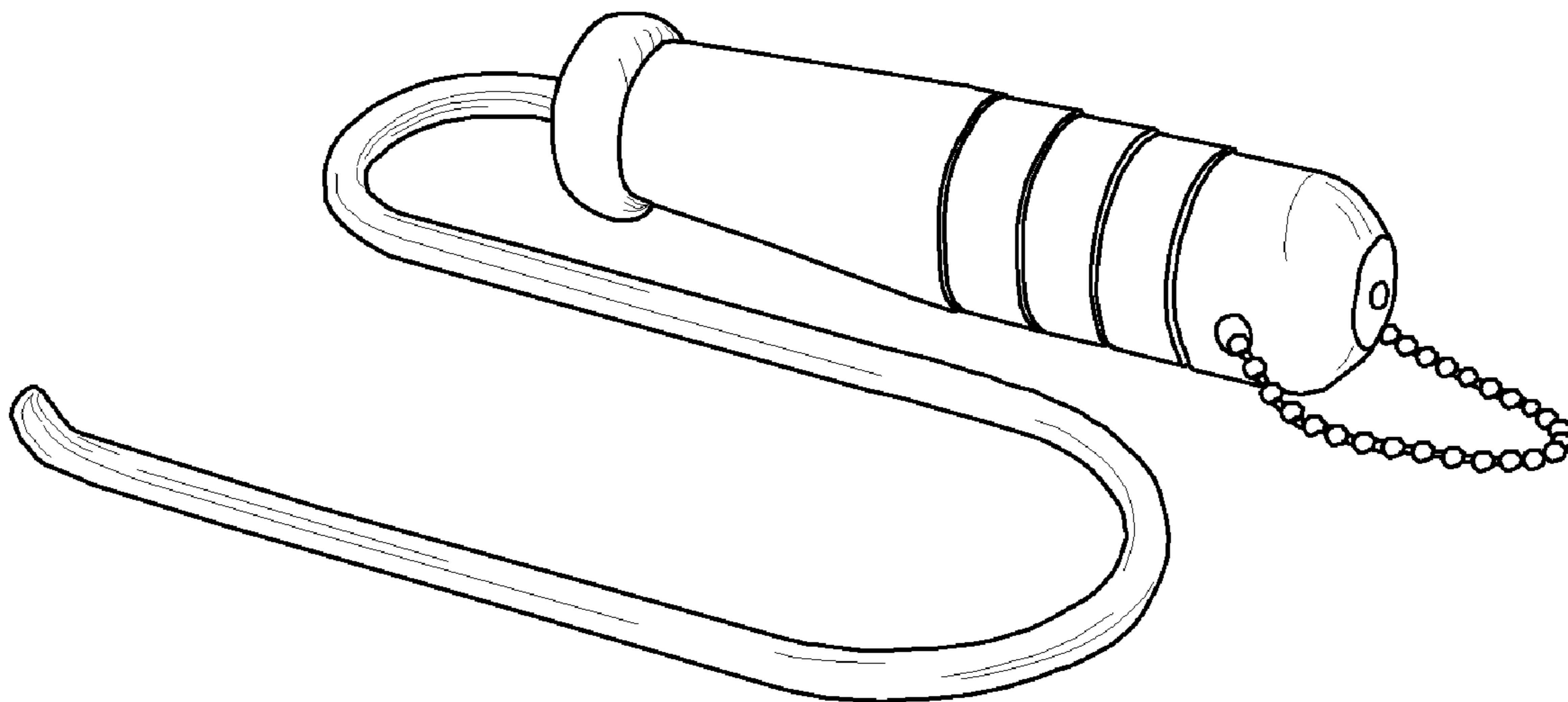
FIG. 4 is a left side view of the food lifter.

FIG. 5 is a bottom view of the food lifter; and,

FIG. 6 is a top view of the food lifter.

The broken lines showing the cooked turkey are for illustrative purposes only and form no part of the claimed design.

1 Claim, 4 Drawing Sheets



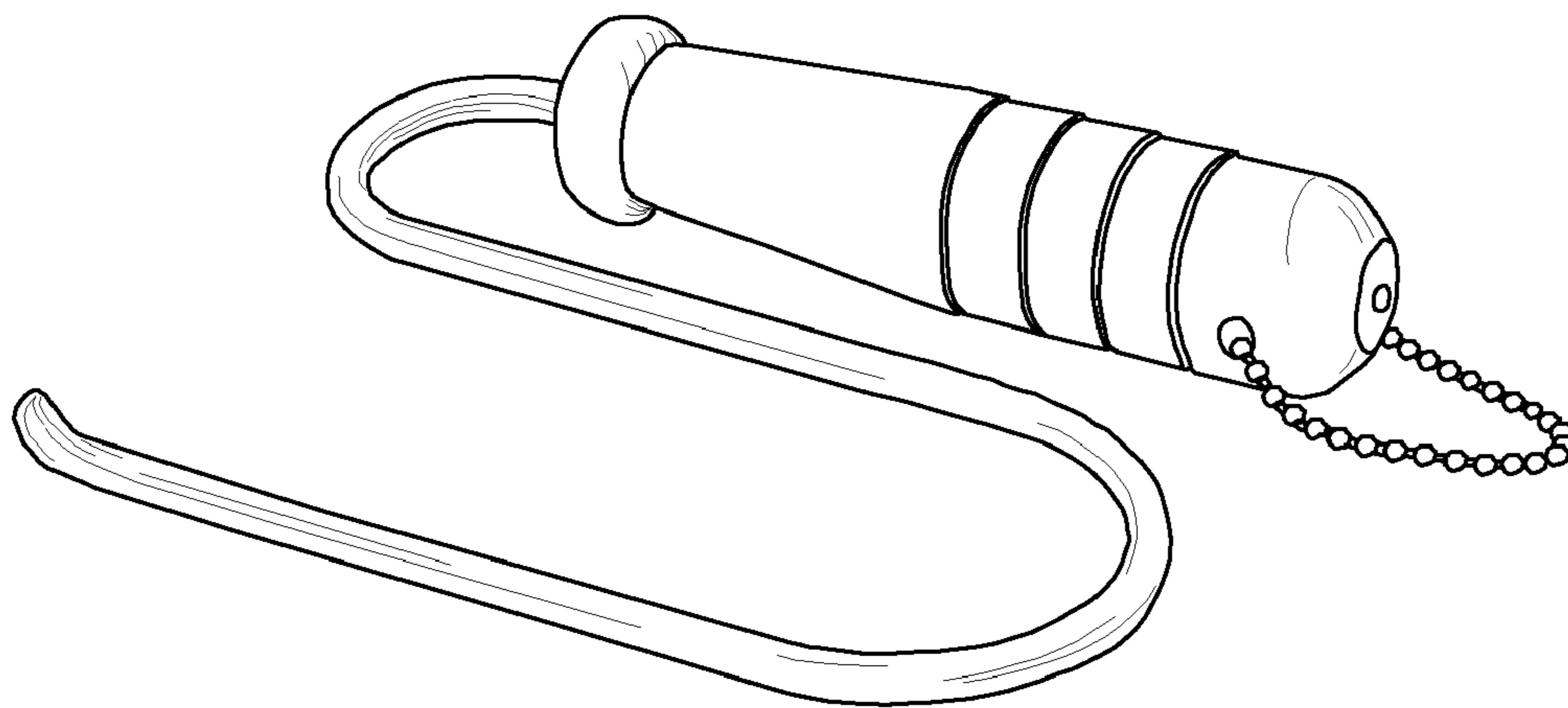


FIG. 1

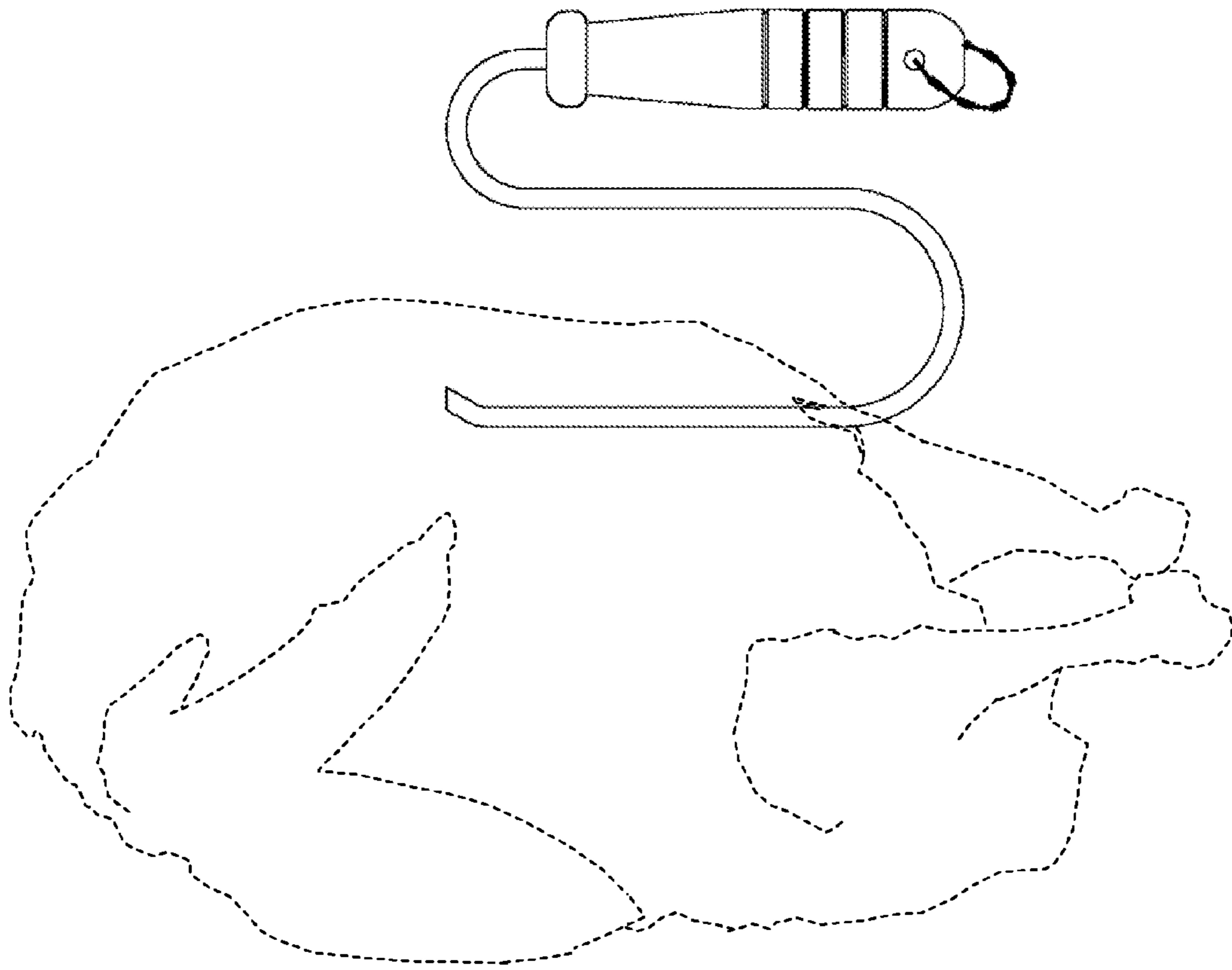


FIG. 2

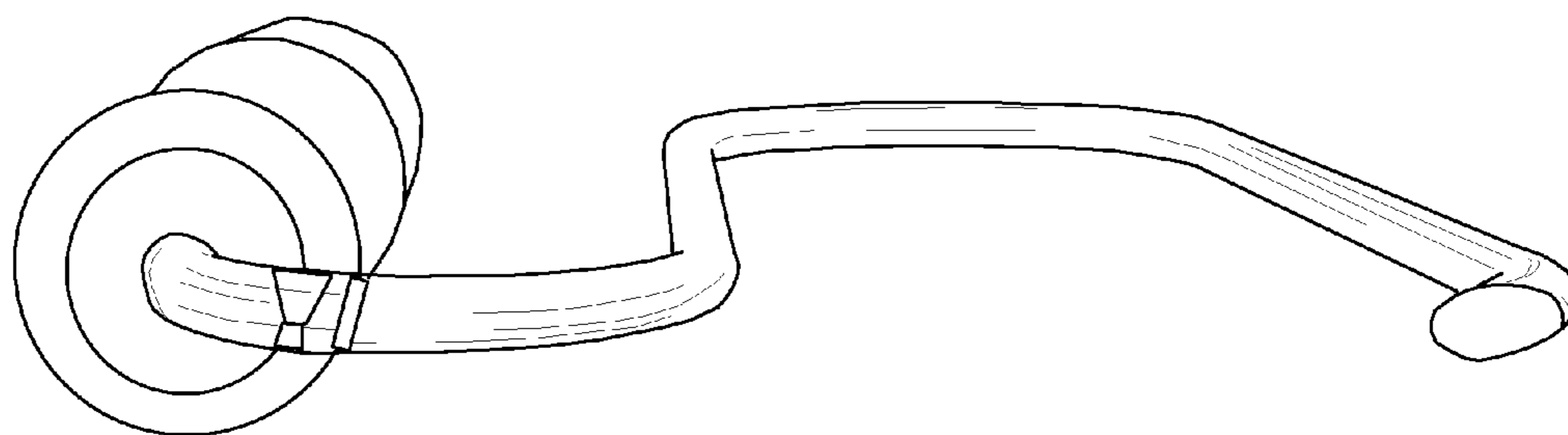


FIG. 3

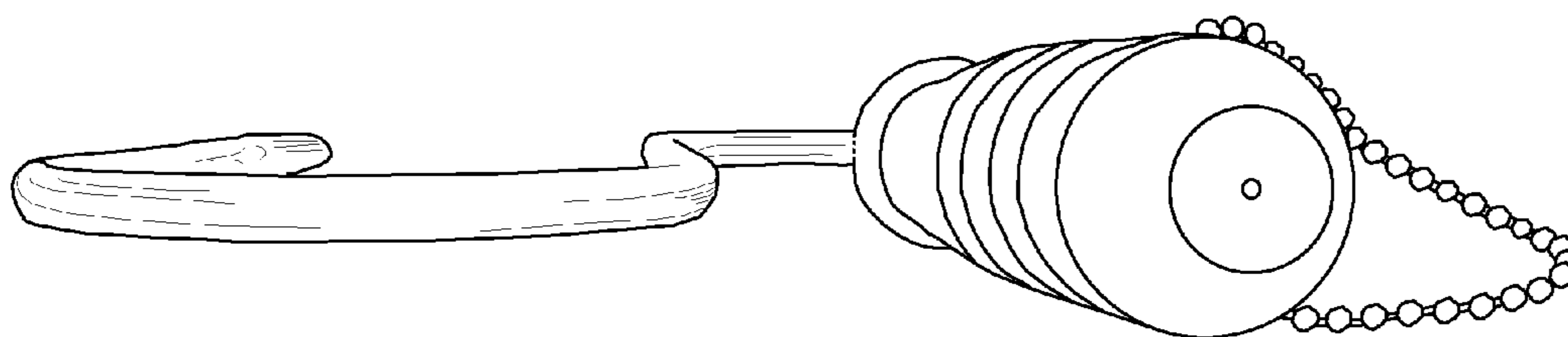


FIG. 4

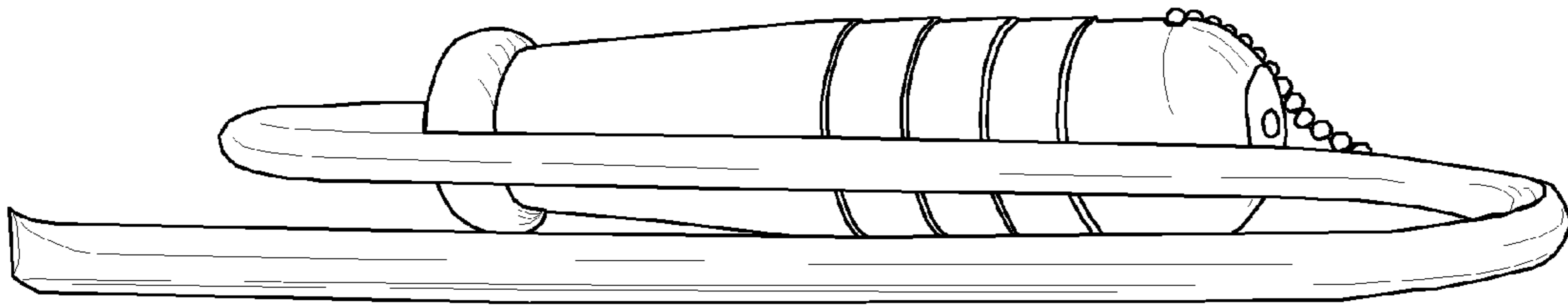


FIG. 5

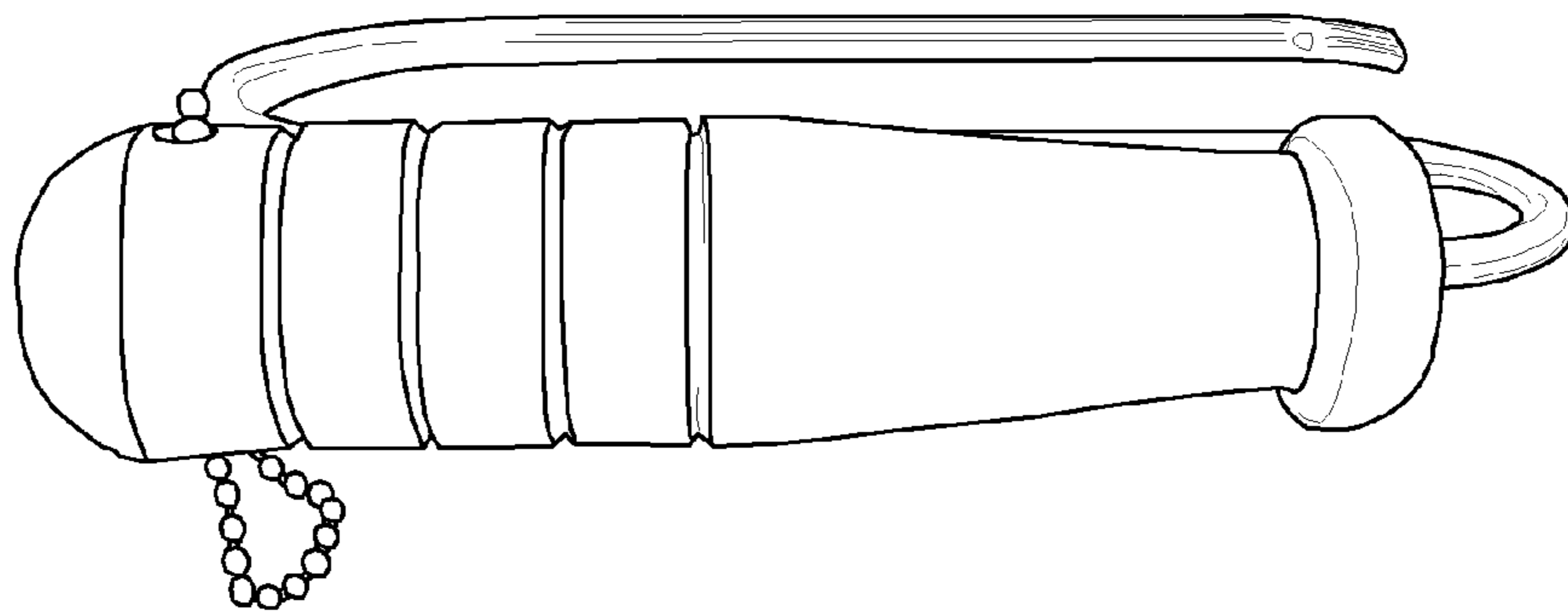


FIG. 6