



US00D585245S

(12) **United States Design Patent**  
**Brouillette**

(10) **Patent No.:** **US D585,245 S**  
(45) **Date of Patent:** **\*\* Jan. 27, 2009**

(54) **BEVERAGE COOLER ASSEMBLY**

6,330,808 B1 \* 12/2001 Kouwenberg et al. .... 62/372  
D476,857 S \* 7/2003 Holsinger ..... D7/608  
D513,939 S \* 1/2006 Leonzo ..... D7/624.1

(76) Inventor: **Jeff Brouillette**, 6111 Barbara St.,  
Jupiter, FL (US) 33458

\* cited by examiner

(\*\*) Term: **14 Years**

*Primary Examiner*—Terry A Wallace

(21) Appl. No.: **29/319,148**

(74) *Attorney, Agent, or Firm*—McHale & Slavin, P.A.

(22) Filed: **Jun. 4, 2008**

(57) **CLAIM**

(51) **LOC (9) Cl.** ..... **07-01**

The ornamental design for a beverage cooler assembly, as shown and described.

(52) **U.S. Cl.** ..... **D7/608; D7/624.2**

(58) **Field of Classification Search** ..... D7/603–608,  
D7/619.1–625; D9/424–429; 220/915.1,  
220/915.2, 592.17, 592.2, 592.27, 592.16;  
62/457.1–457.9, 371, 372

**DESCRIPTION**

See application file for complete search history.

FIG. 1 is a front perspective view of the beverage cooler assembly of the instant invention;

FIG. 2 is a top view thereof;

FIG. 3 is a bottom view thereof;

FIG. 4 is an elevational side view thereof;

FIG. 5 is a front perspective view of another embodiment of the instant invention;

FIG. 6 is a top side view thereof;

FIG. 7 is a bottom view thereof; and,

FIG. 8 is an elevational side view thereof.

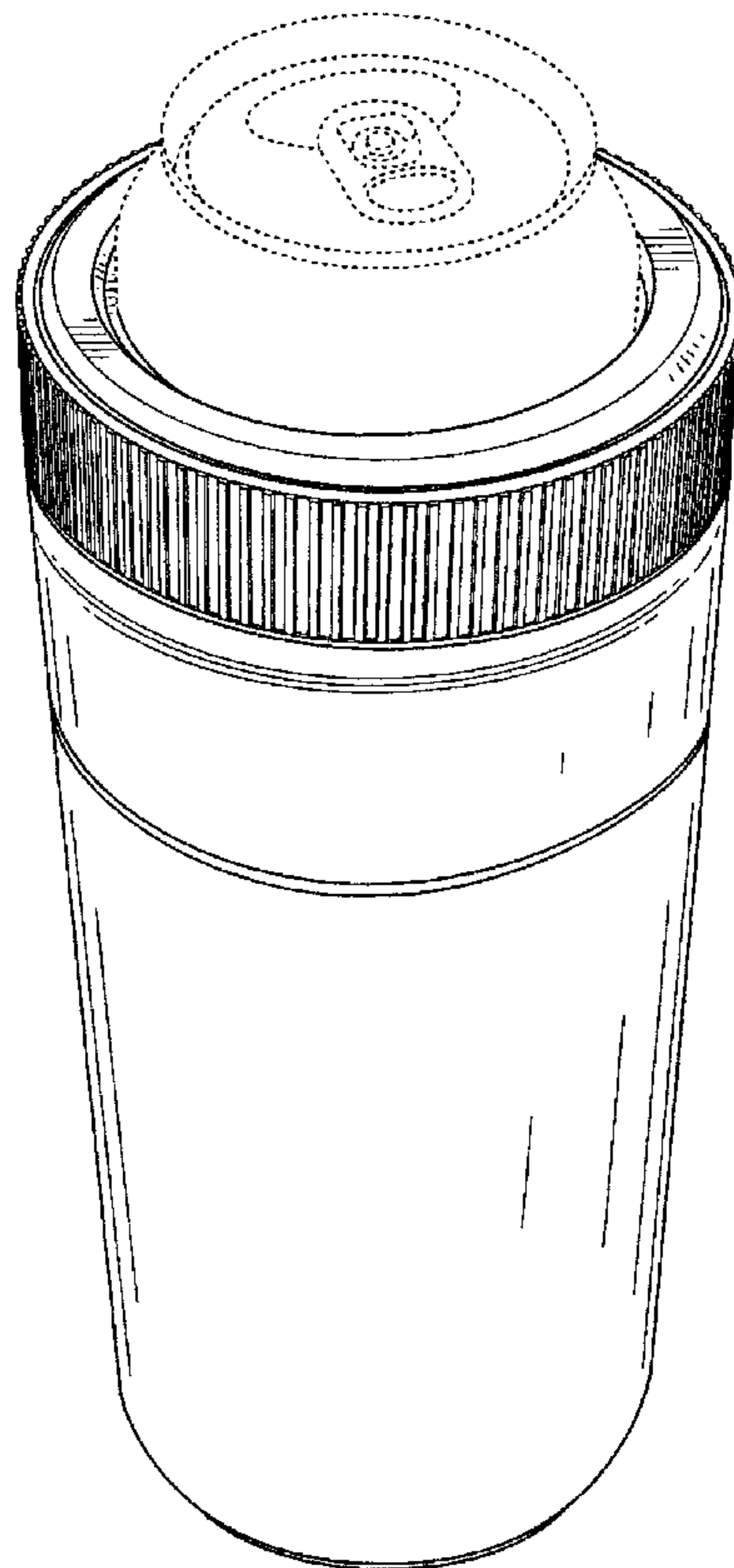
The broken lines of the can and bottle are for illustrative purposes only and form no part of the claimed design.

(56) **References Cited**

U.S. PATENT DOCUMENTS

4,347,713	A *	9/1982	Morrison et al. ....	62/371
D272,223	S *	1/1984	Daenen .....	D7/629
D302,509	S *	8/1989	Byrns .....	D7/608
4,882,914	A *	11/1989	Haines-Keeley et al. ...	62/457.4
D308,793	S *	6/1990	Bartolo .....	D7/608
D310,155	S *	8/1990	deNevers et al. ....	D7/603
D334,113	S *	3/1993	Lewis et al. ....	D7/629
D395,579	S *	6/1998	Jeppesen et al. ....	D7/603
D442,833	S *	5/2001	Shuman .....	D7/608
RE37,213	E *	6/2001	Staggs .....	62/457.3

**1 Claim, 6 Drawing Sheets**



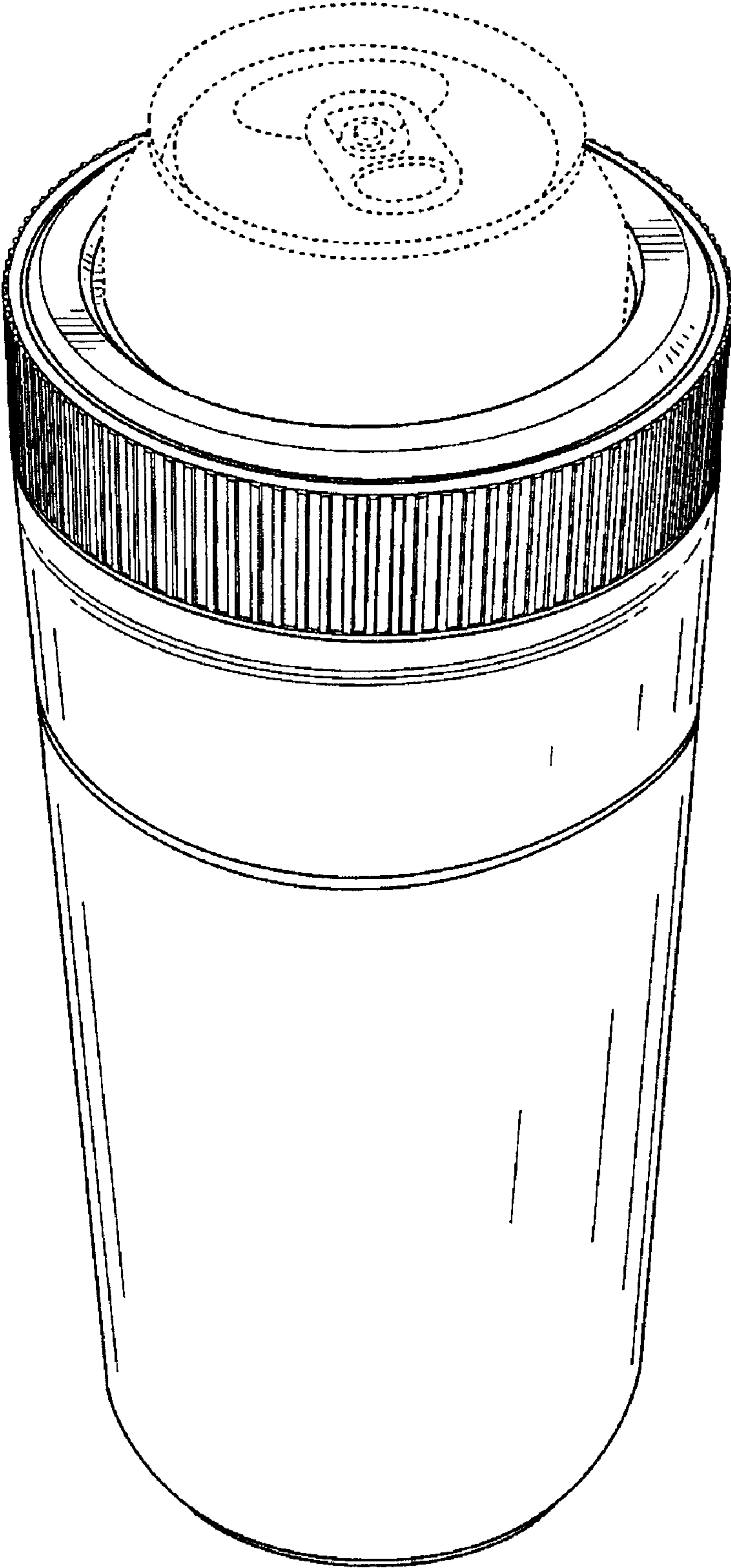
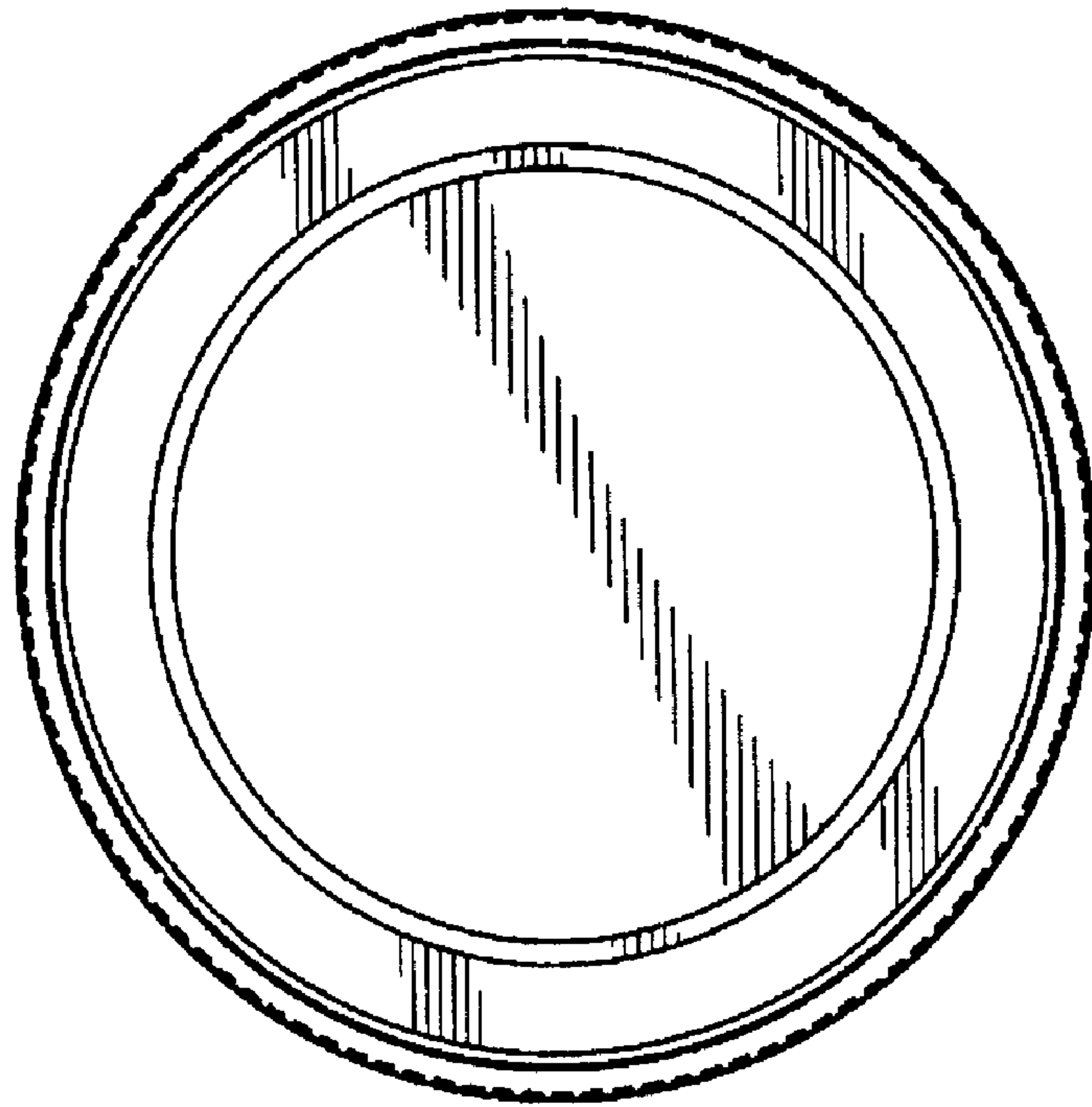
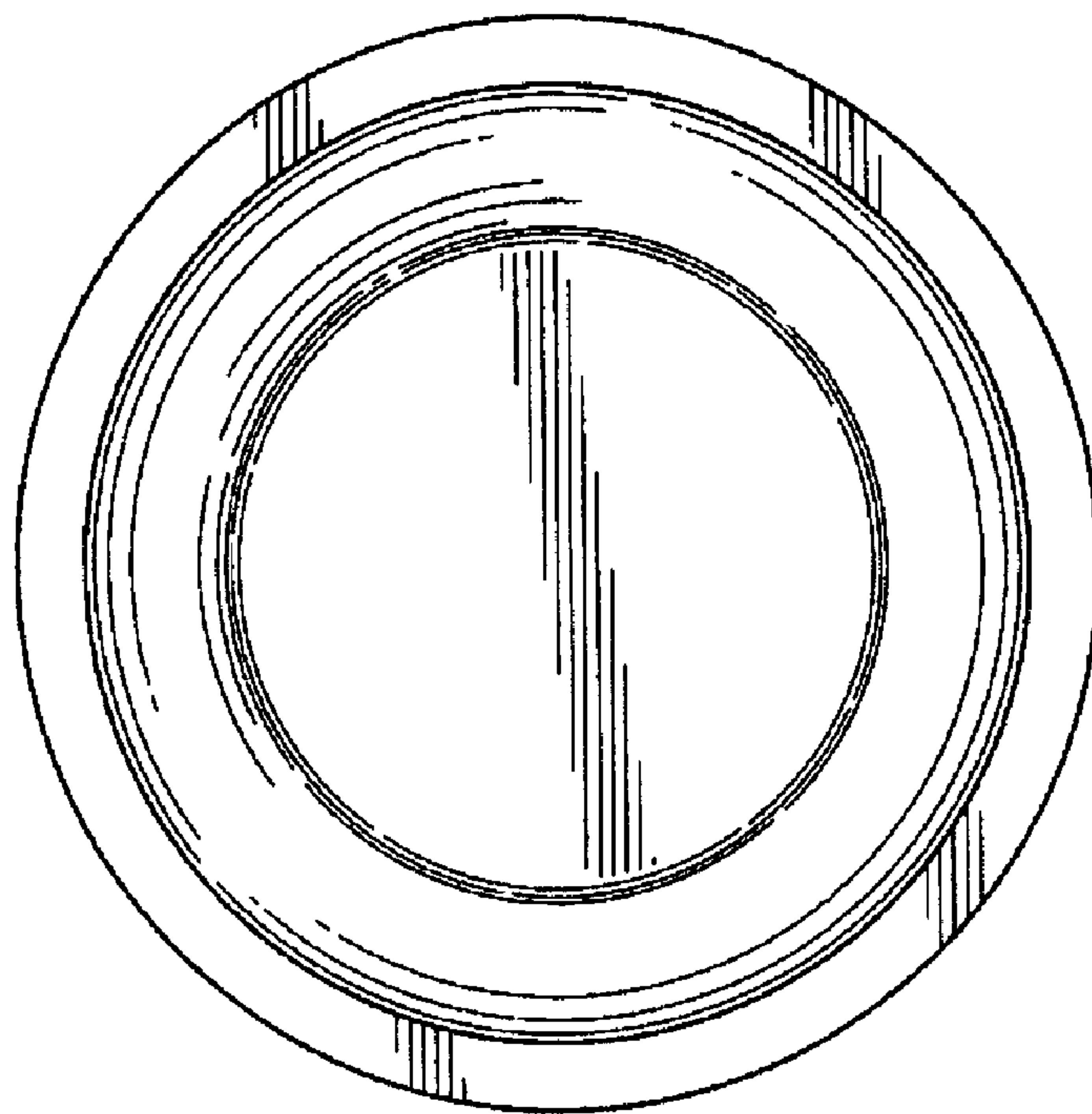


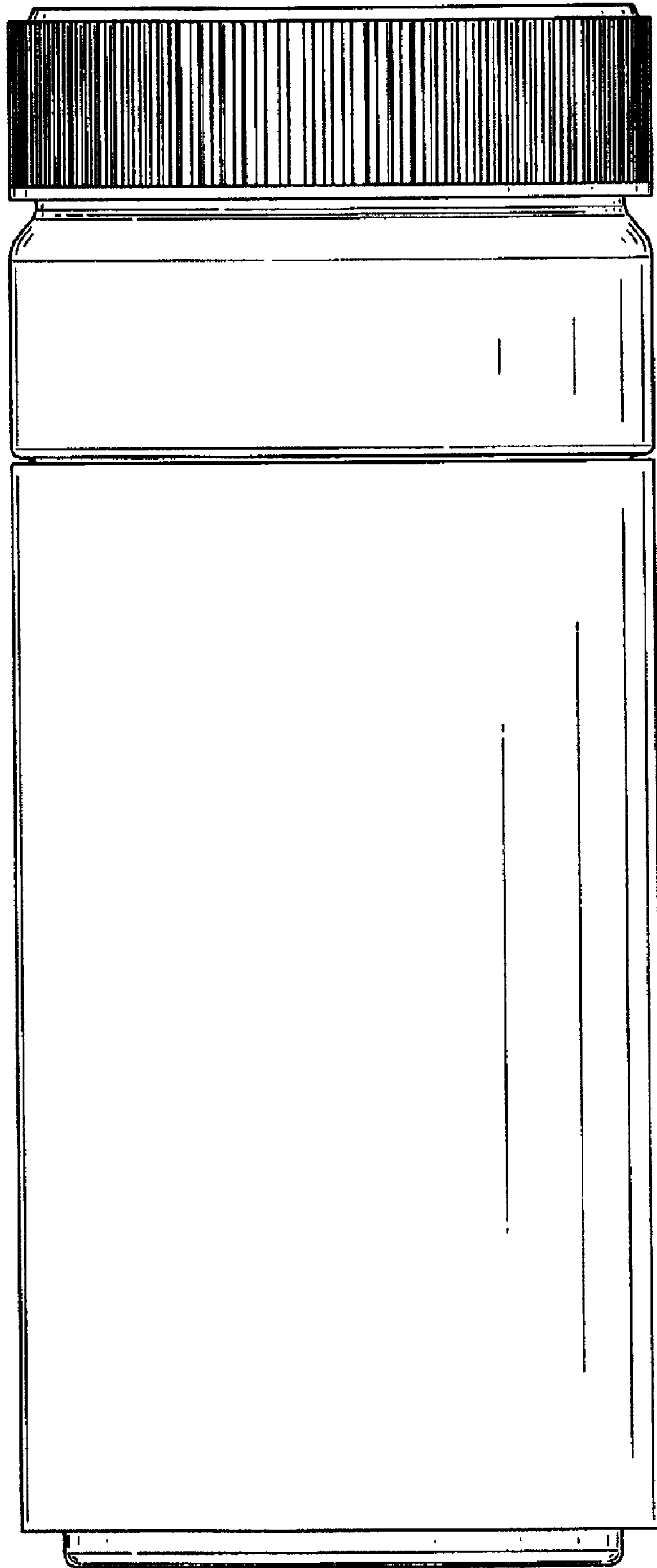
FIG. 1



**FIG. 2**



**FIG. 3**



**FIG. 4**

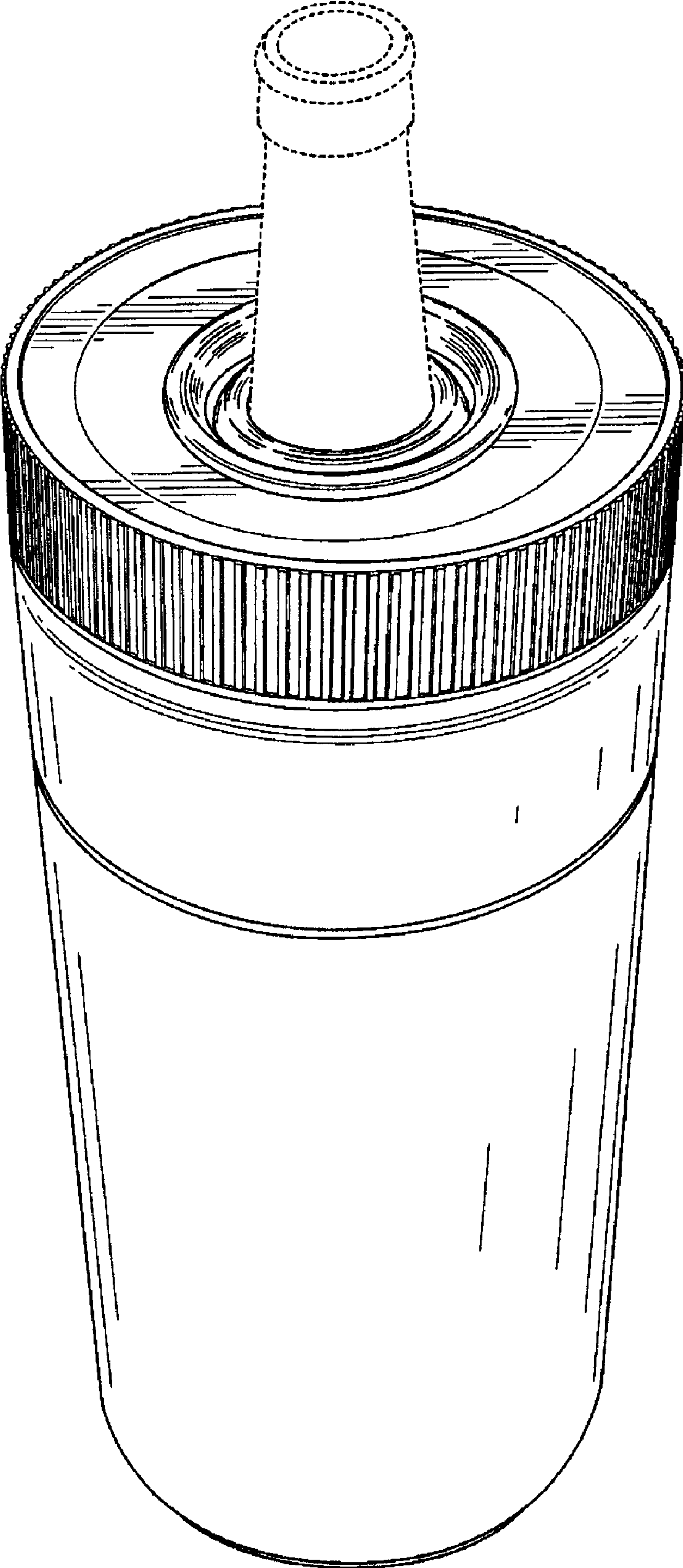
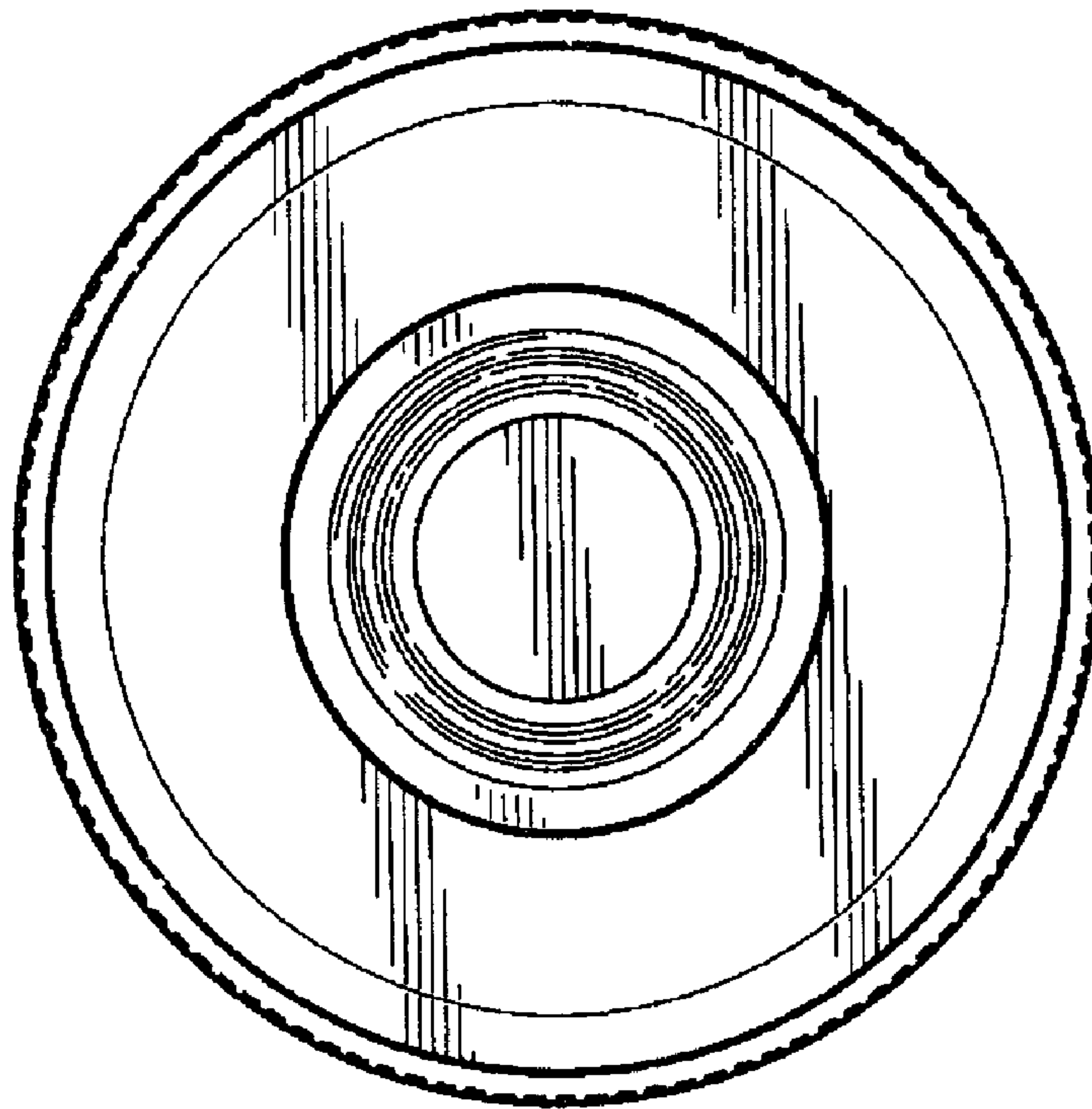
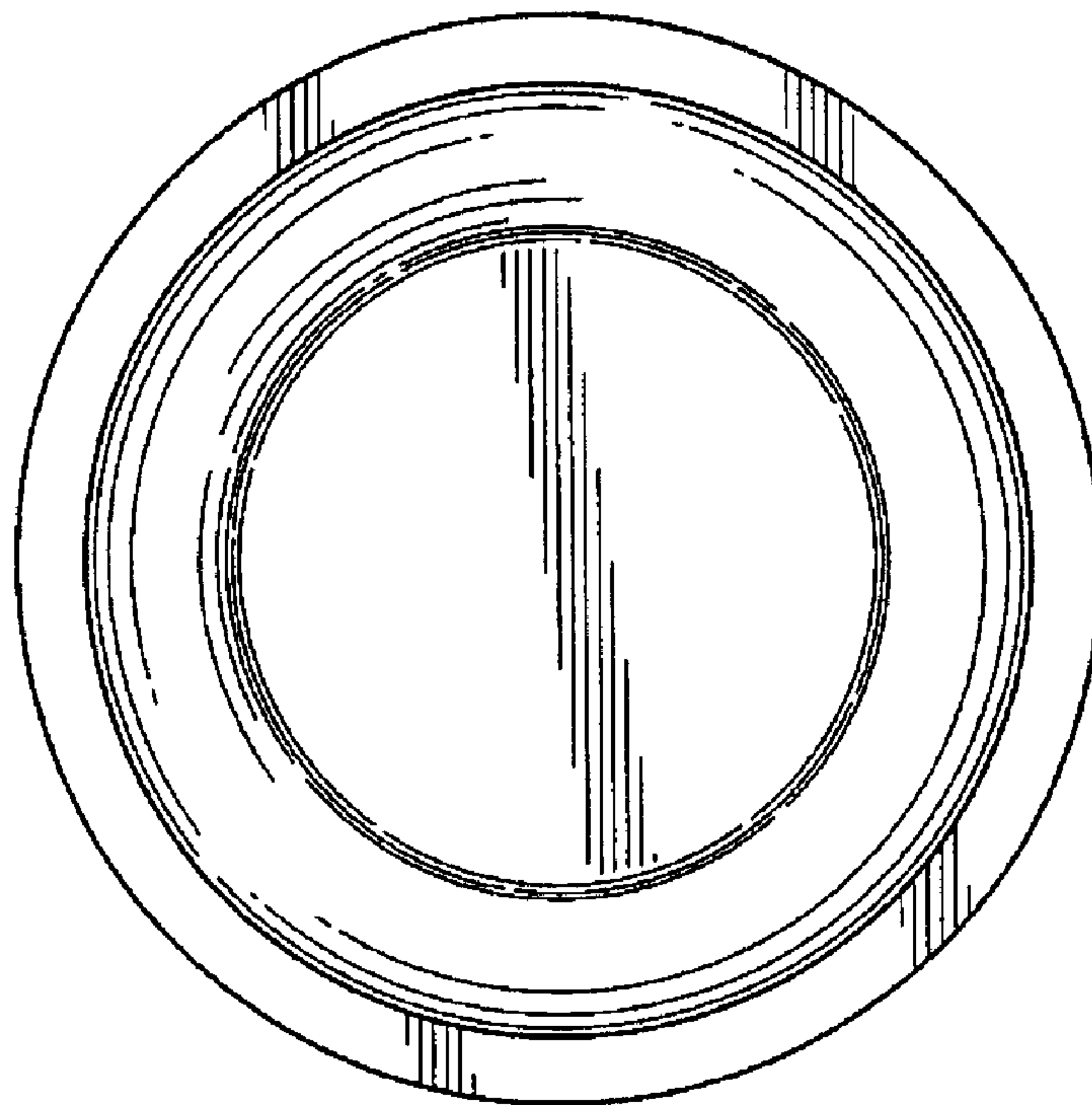


FIG. 5

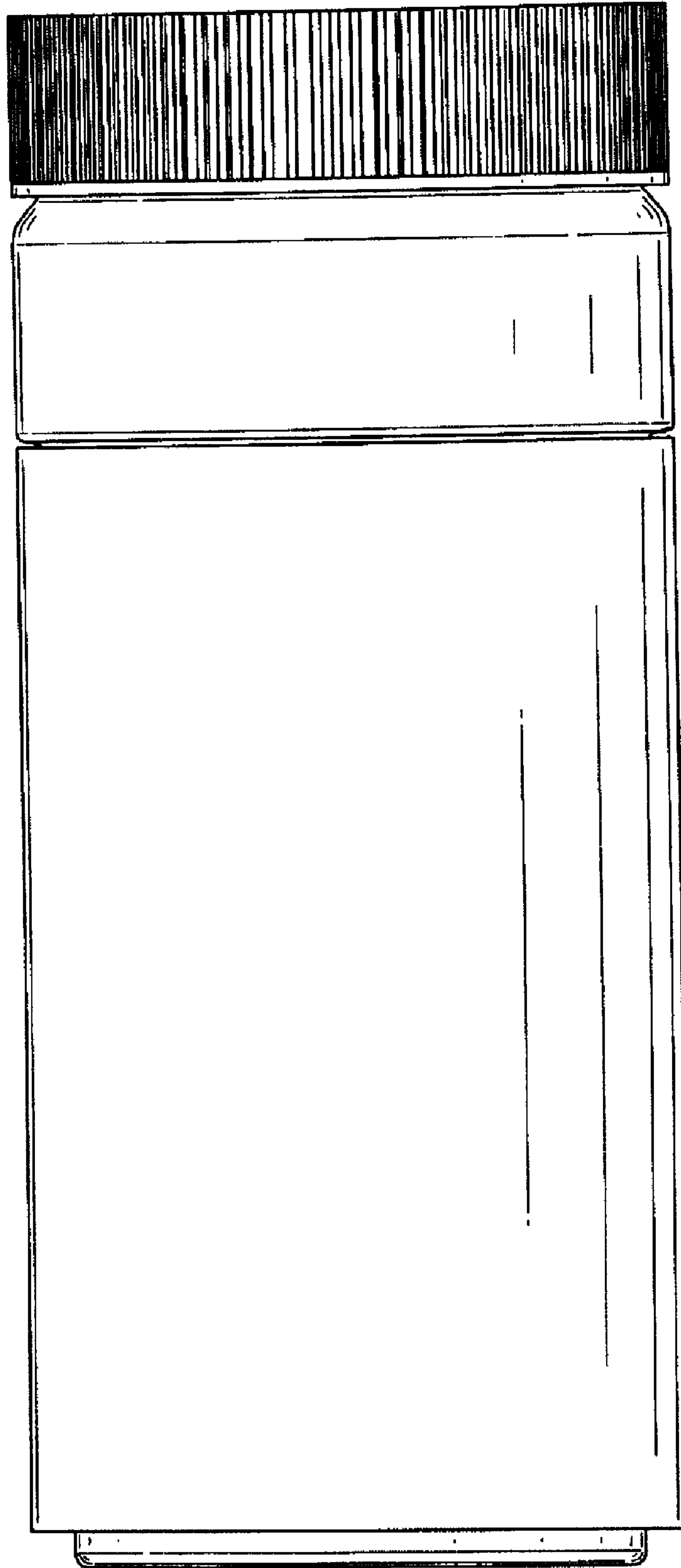




**FIG. 6**



**FIG. 7**



**FIG. 8**