



US00D585244S

(12) **United States Design Patent**
Balmas et al.

(10) **Patent No.:** **US D585,244 S**
(45) **Date of Patent:** **** Jan. 27, 2009**

(54) **TOOL BOX COOLER**

(76) Inventors: **John Russel Balmas**, 902 Washington St., Monett, MO (US) 65708; **Kevin Ray Sprenkle**, 5704 Lawrence 2220, Monett, MO (US) 65723

(**) Term: **14 Years**

(21) Appl. No.: **29/294,151**

(22) Filed: **Dec. 26, 2007**

(51) **LOC (9) Cl.** **07-07**

(52) **U.S. Cl.** **D7/606**

(58) **Field of Classification Search** D7/605,
D7/608, 509-511, 317, 606; D9/715, 716,
D9/500, 549; 215/13.1; 220/62.12, 592.16,
220/592.17, 592.2

See application file for complete search history.

(56) **References Cited**

U.S. PATENT DOCUMENTS

5,005,679 A * 4/1991 Hjelle 190/110
D387,626 S * 12/1997 Melk D7/605
D572,980 S * 7/2008 Griffard D7/606

* cited by examiner

Primary Examiner—Lisa P Lichtenstein

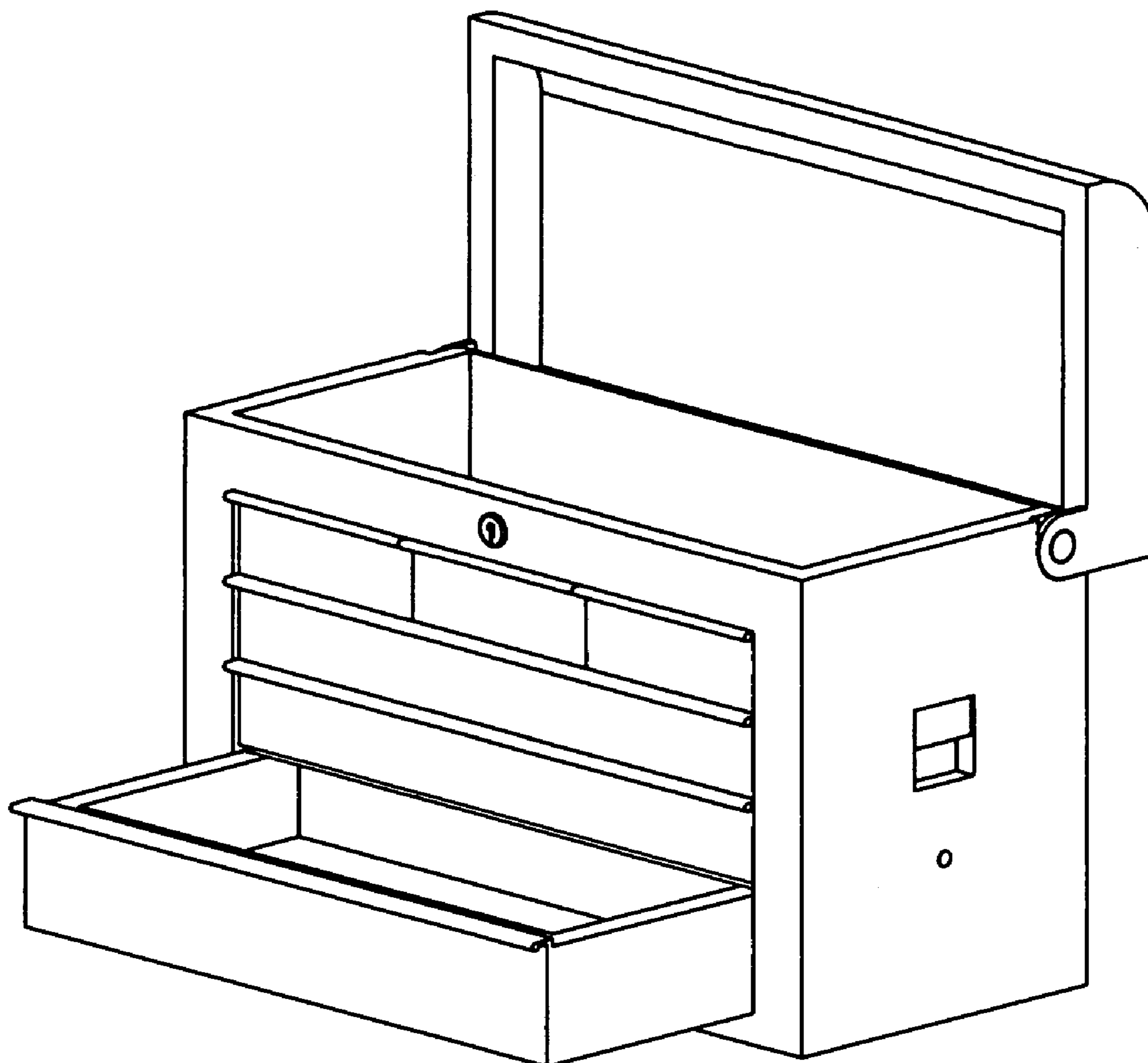
(57) **CLAIM**

The ornamental design for a tool box cooler, as shown.

DESCRIPTION

FIG. 1 is a perspective view showing our new design for a cooler with the lid opened in the open position; and, FIG. 2 is a perspective view showing our new design for a cooler with the lid closed.

1 Claim, 1 Drawing Sheet



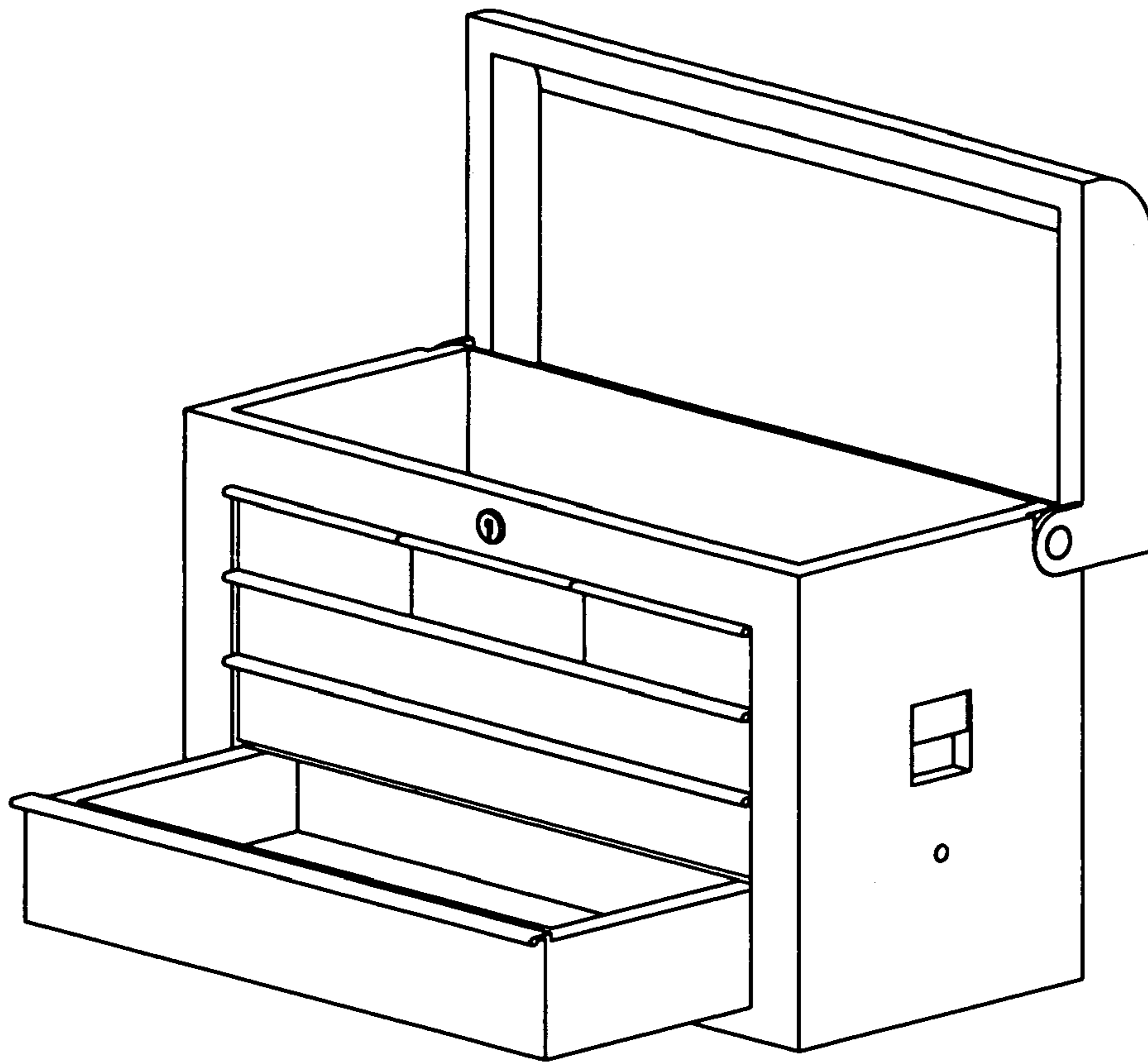


FIG. 1

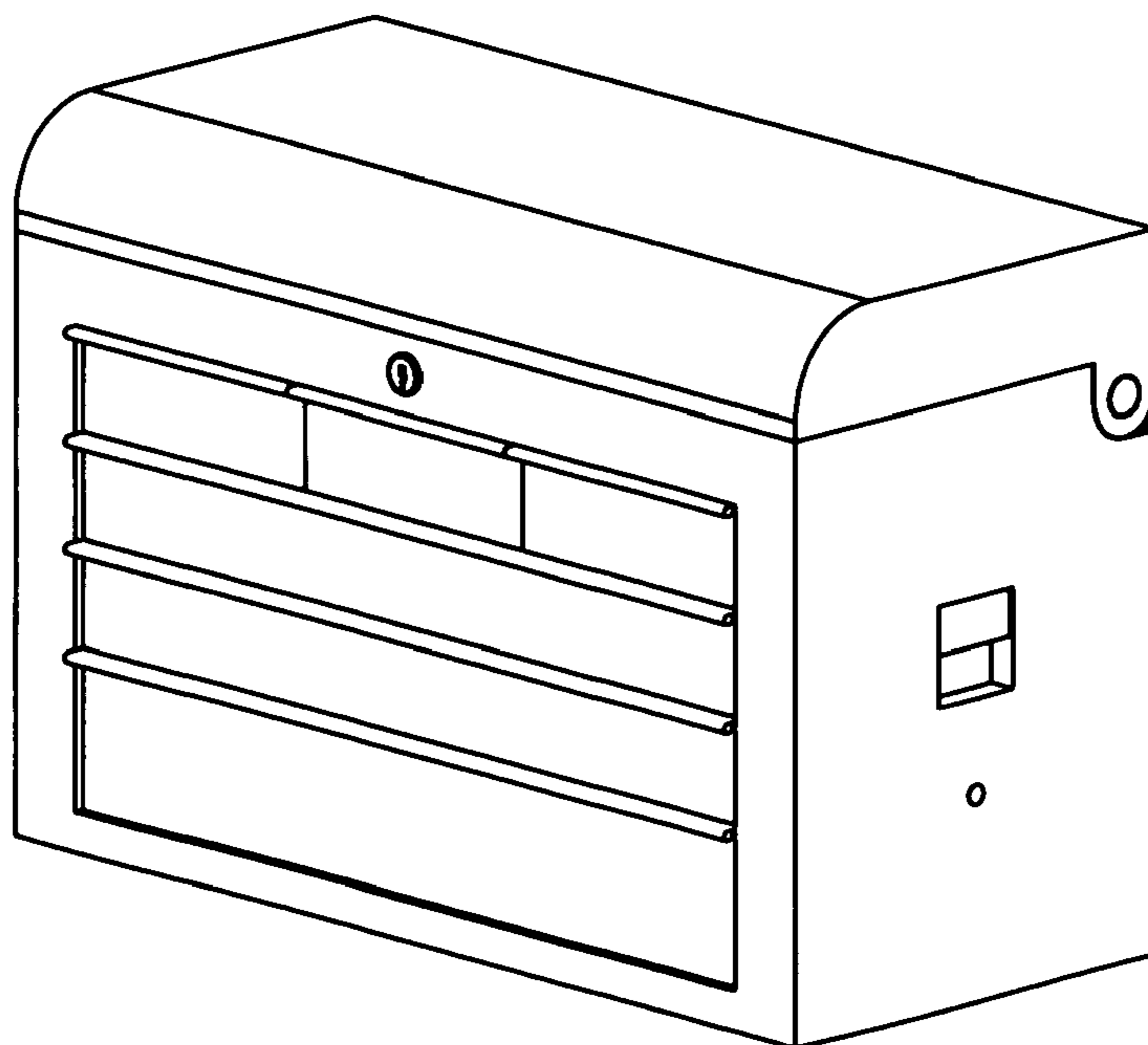


FIG. 2