



US00D585242S

(12) **United States Design Patent**
Krüger

(10) **Patent No.:** **US D585,242 S**
(45) **Date of Patent:** **** Jan. 27, 2009**

(54) **KITCHEN MACHINE**

(75) Inventor: **Tobias Krüger**, München (DE)

(73) Assignee: **BSH Bosch und Siemens Hausgeraete GmbH**, Munich (DE)

(**) Term: **14 Years**

(21) Appl. No.: **29/301,733**

(22) Filed: **Mar. 14, 2008**

(30) **Foreign Application Priority Data**

Sep. 17, 2007 (EM) 000802913

(51) **LOC (9) Cl.** **07-02**

(52) **U.S. Cl.** **D7/412**

(58) **Field of Classification Search** D7/323,
D7/337, 354-361, 365, 378-379, 383-384,
D7/545, 560; 99/324-325, 329 R, 330-340,
99/347, 403, 410-413, 419, 473; 126/9 R,
126/38, 391.1; 219/401, 428-432, 435-436,
219/440-441; 220/203.01, 203.07, 303,
220/573.1, 912

See application file for complete search history.

(56) **References Cited**

U.S. PATENT DOCUMENTS

4,971,027 A * 11/1990 Krieger 126/391.1

5,423,308 A * 6/1995 Huang et al. 126/38
5,990,456 A * 11/1999 Kilbride 219/432
7,367,332 B2 * 5/2008 Mosher et al. 126/9 R
2005/0268902 A1 * 12/2005 Mosher et al. 126/9 R
2006/0086351 A1 * 4/2006 Wilgus et al. 126/9 R

* cited by examiner

Primary Examiner—Caron Veynar

Assistant Examiner—Ricky Pham

(74) *Attorney, Agent, or Firm*—Russell W. Warnock; James E. Howard

(57) **CLAIM**

The ornamental design for a kitchen machine, as shown and described.

DESCRIPTION

FIG. 1 is a perspective view of a kitchen machine showing my ornamental design;

FIG. 2 is a front plan view thereof;

FIG. 3 is a right view thereof;

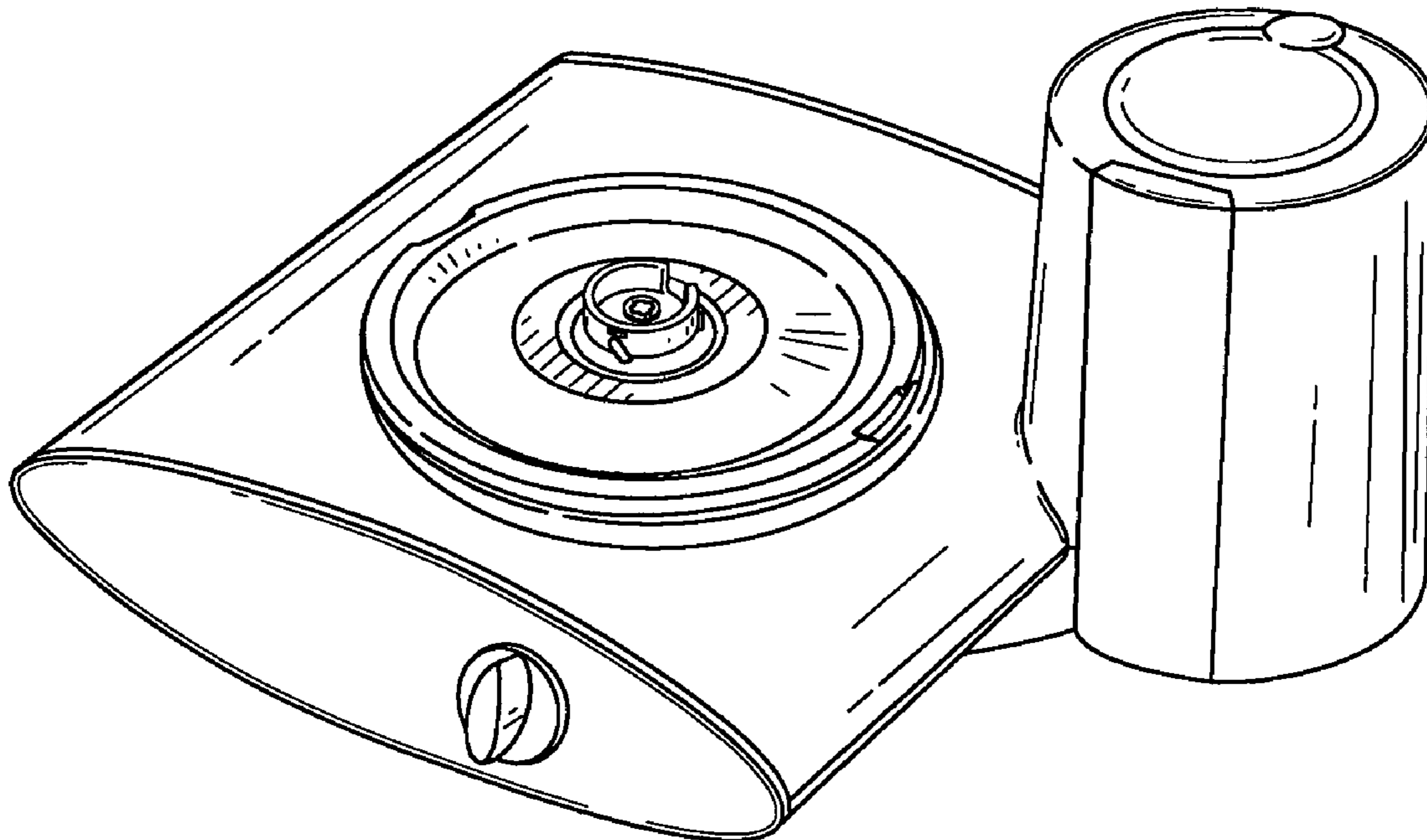
FIG. 4 is a left view thereof;

FIG. 5 is a rear plan view thereof;

FIG. 6 is a top view thereof; and,

FIG. 7 is a bottom view thereof.

1 Claim, 4 Drawing Sheets



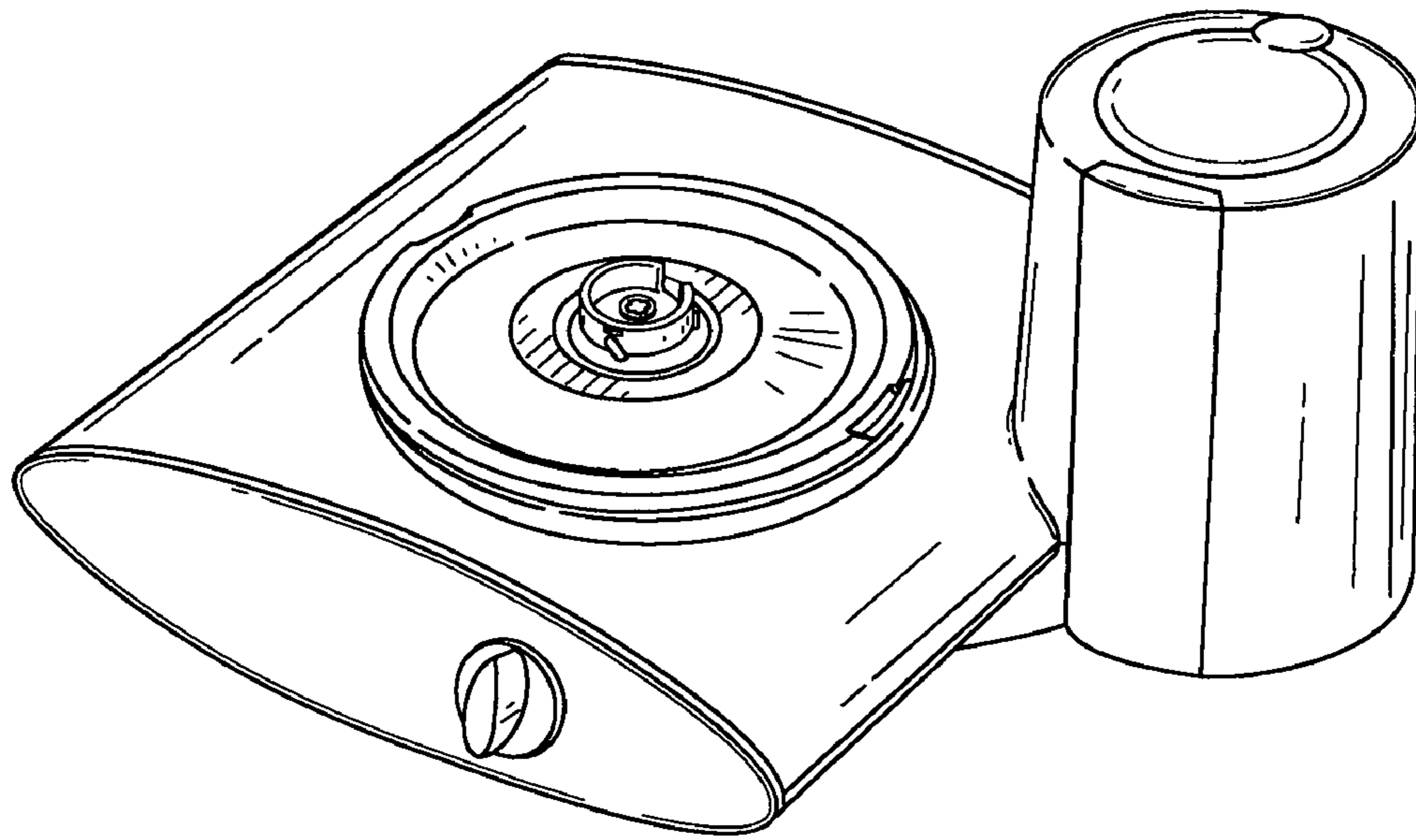


FIG. 1

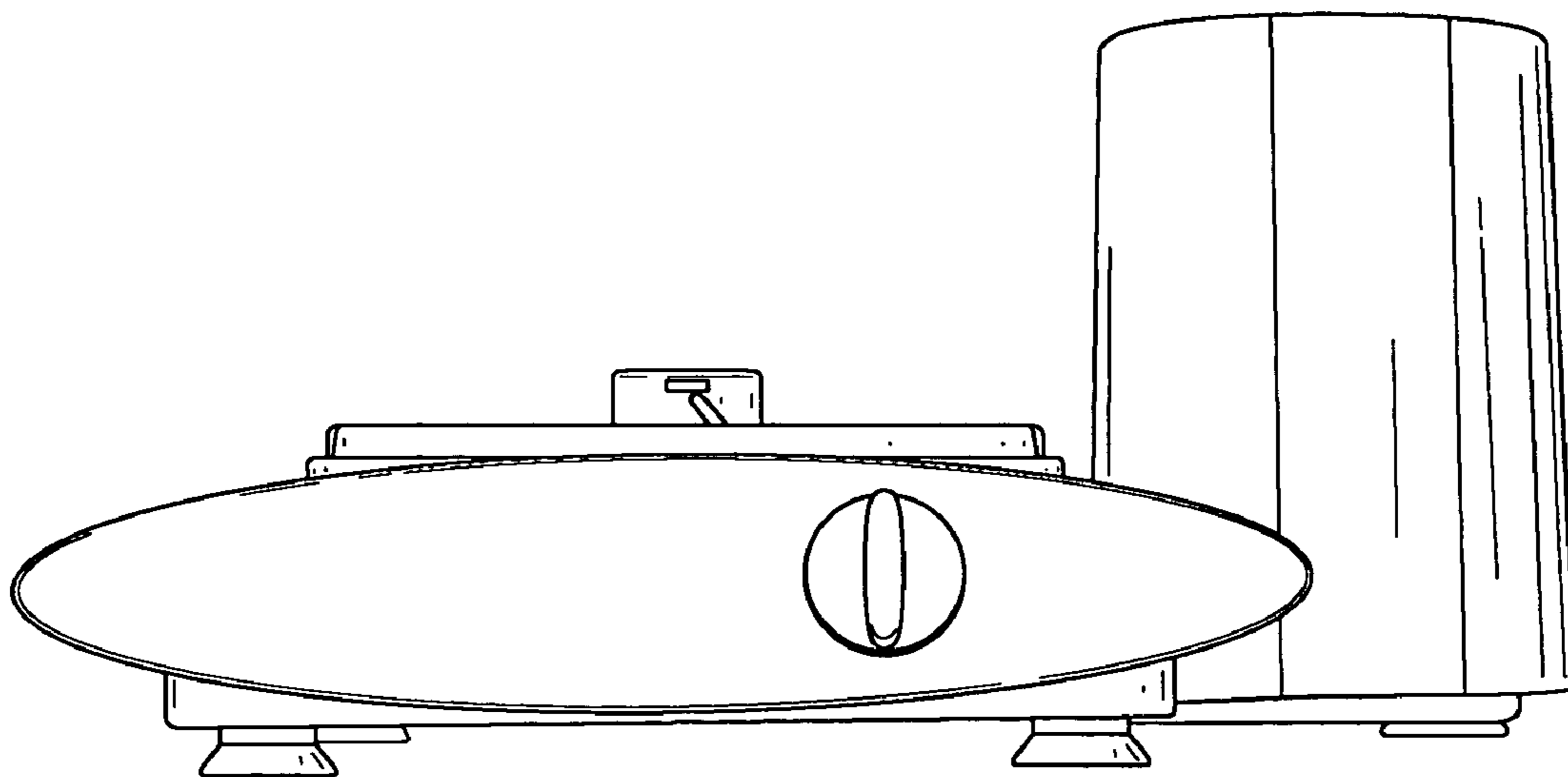


FIG. 2

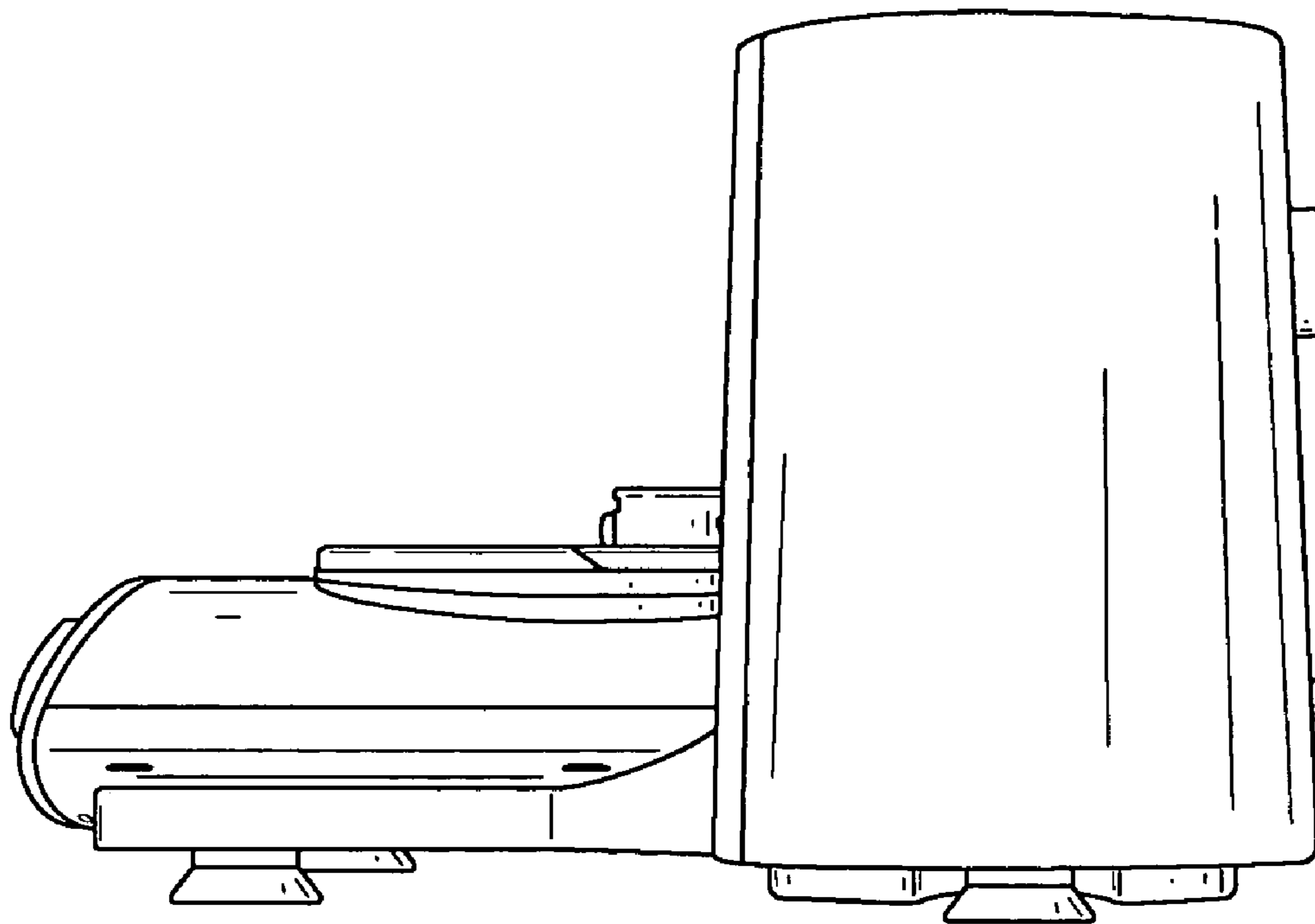


FIG. 3

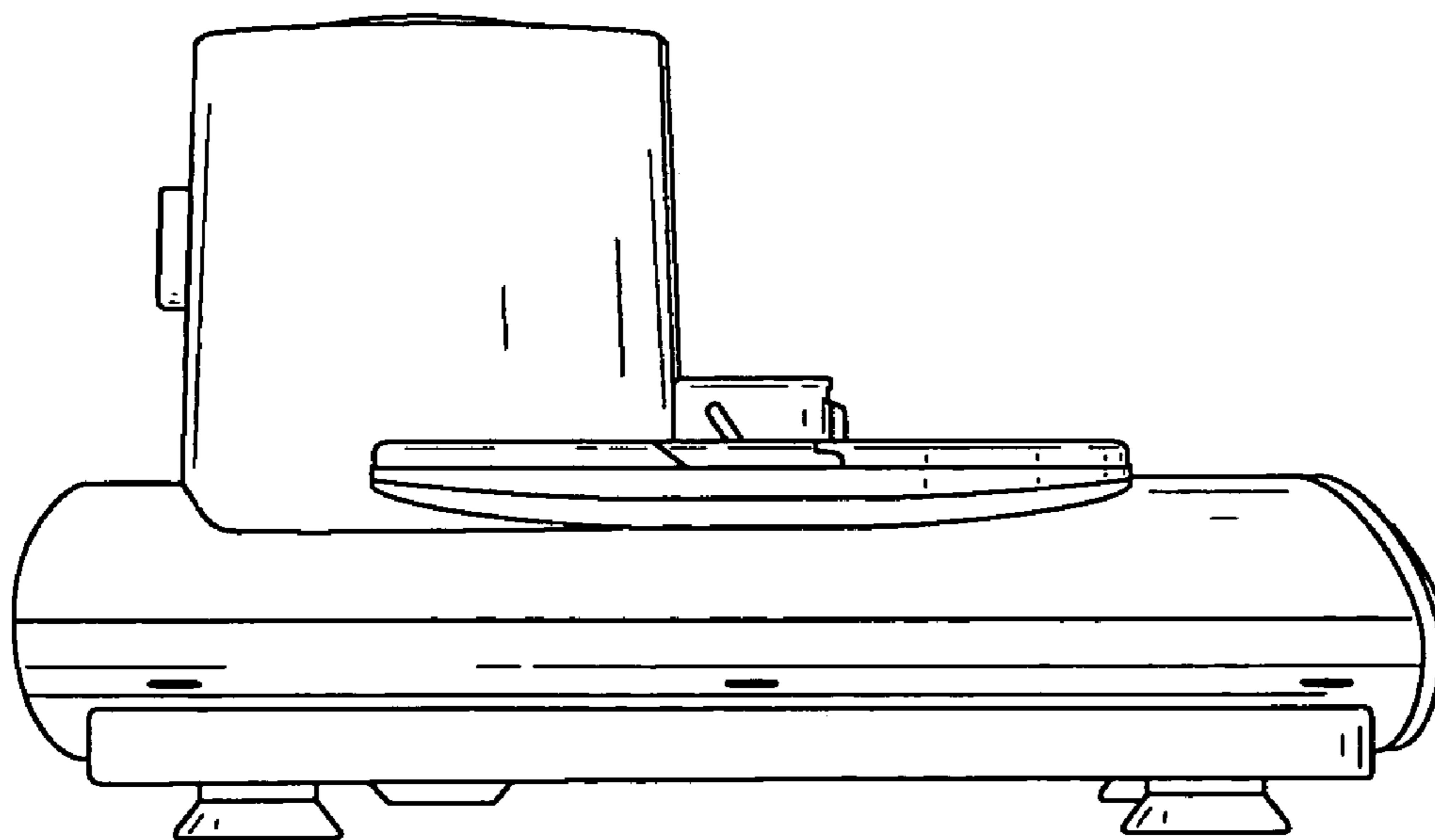


FIG. 4

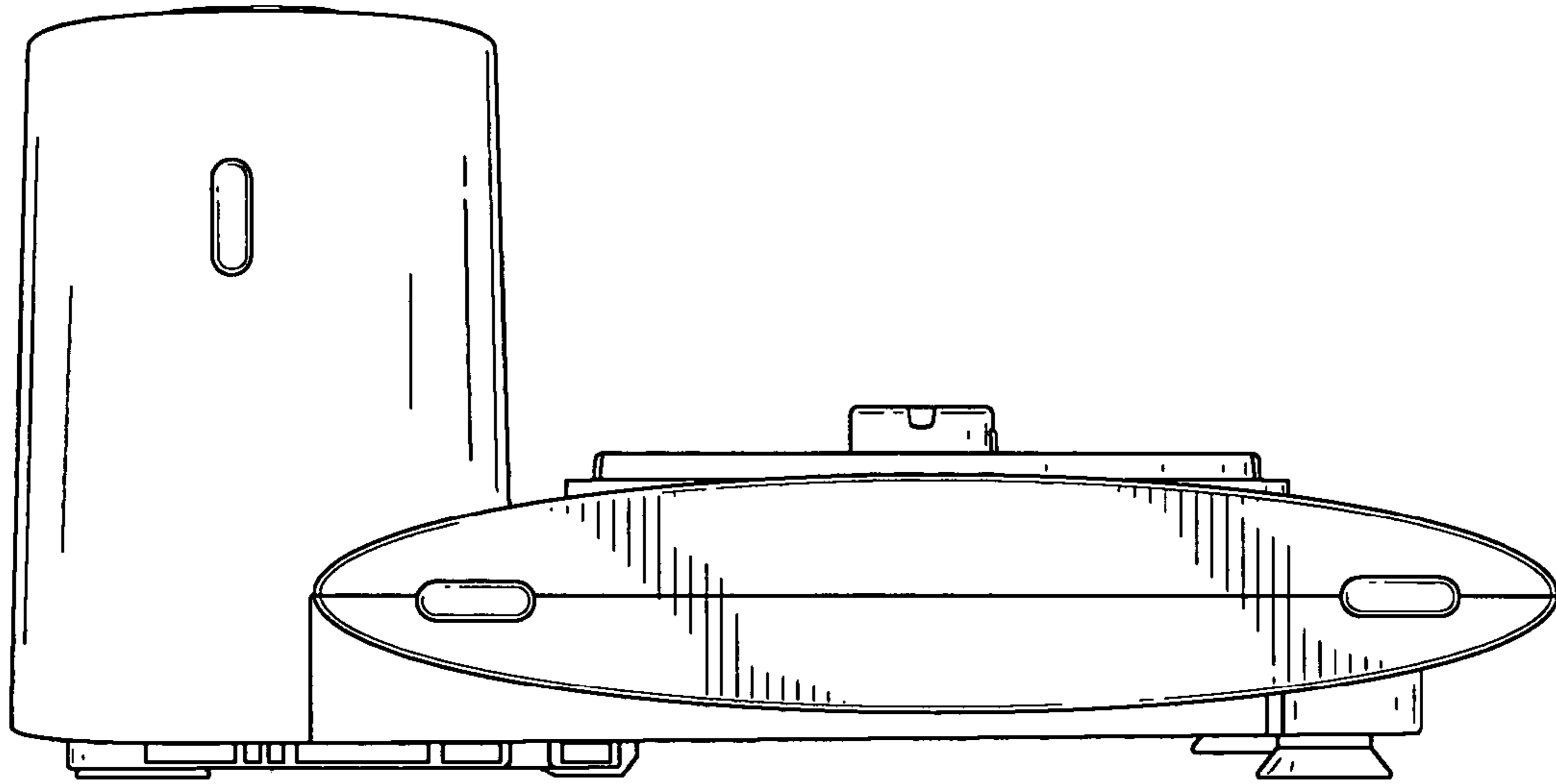


FIG. 5

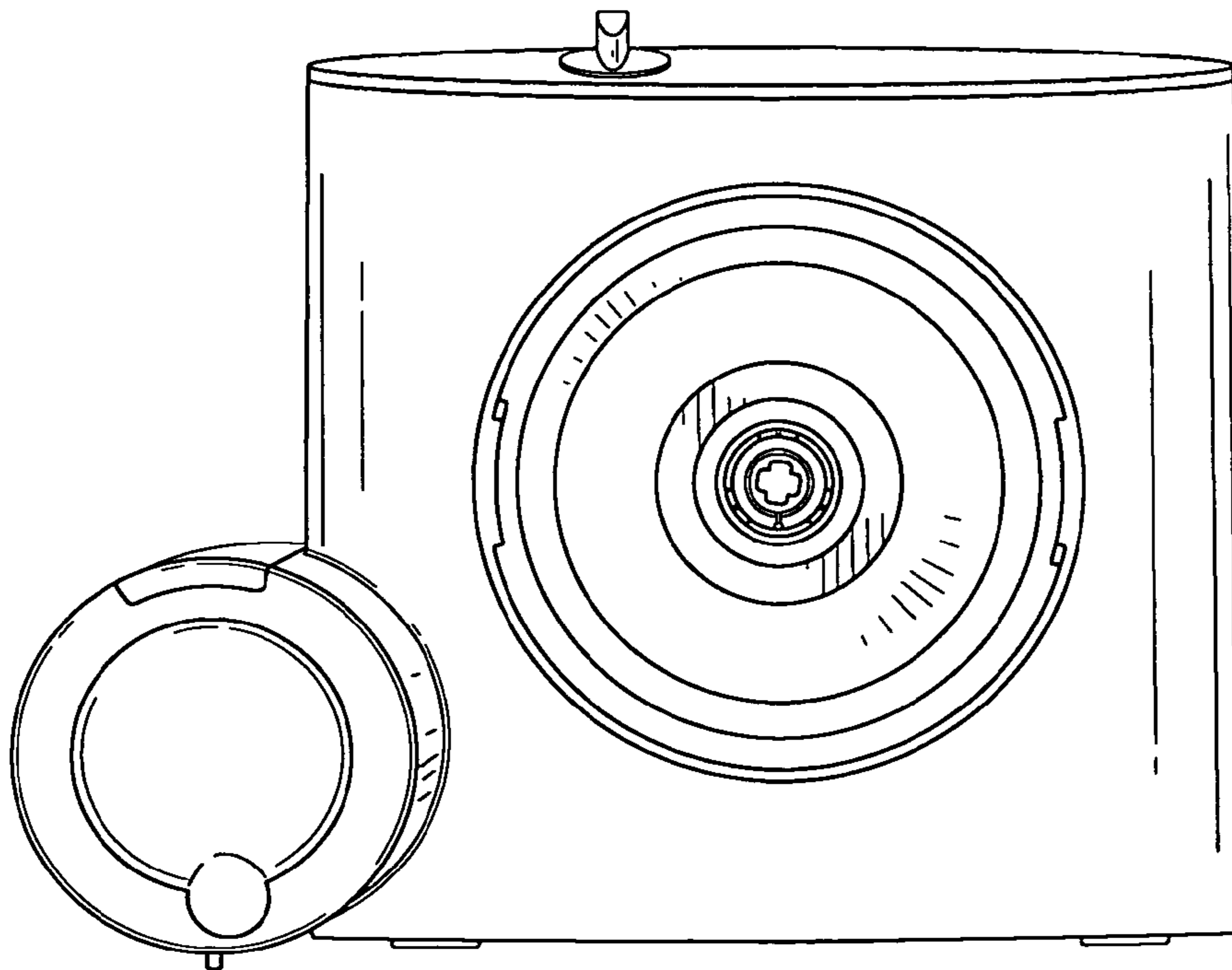


FIG. 6

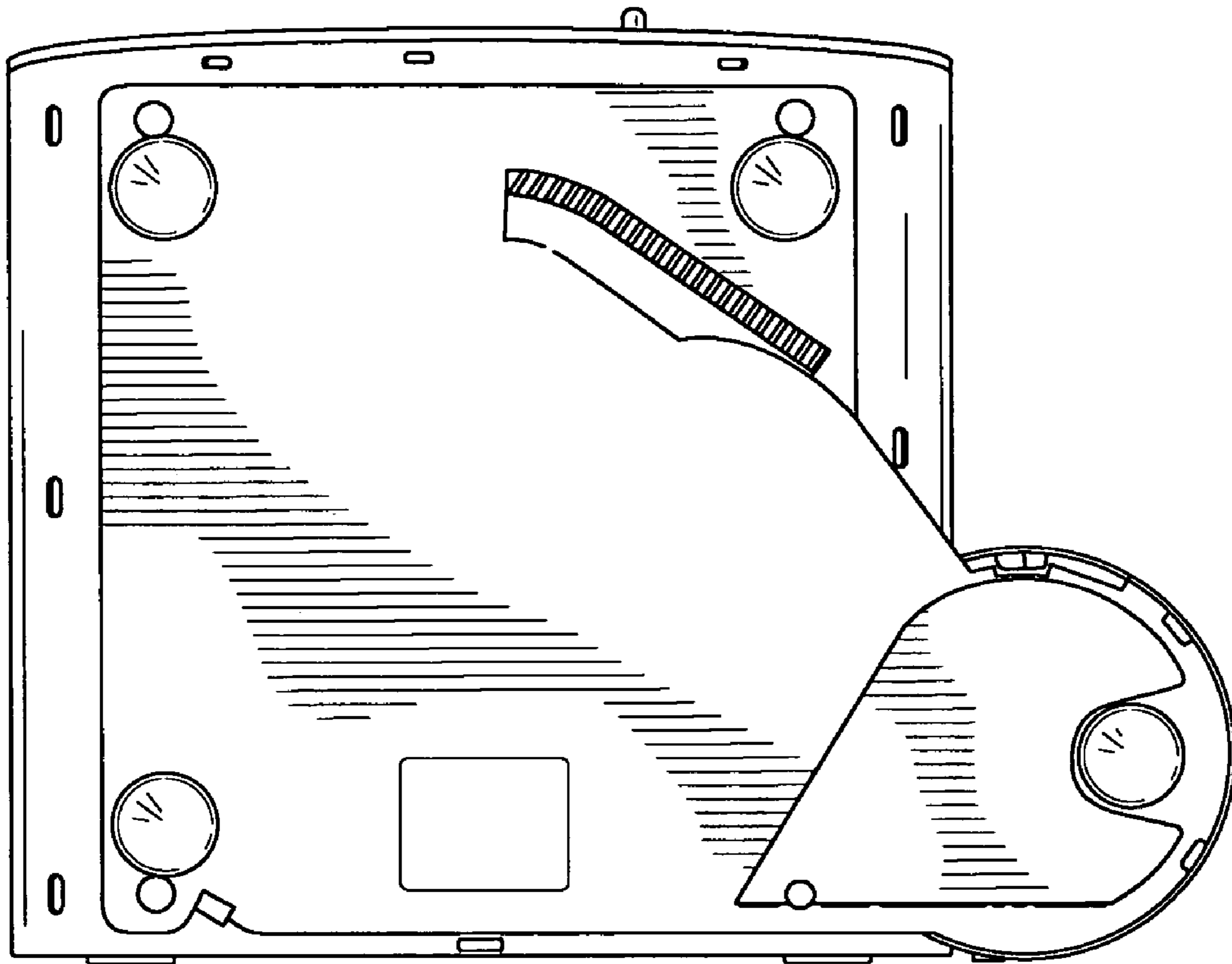


FIG. 7