



US00D585238S

(12) **United States Design Patent**  
**Tseng**

(10) **Patent No.:** **US D585,238 S**  
(45) **Date of Patent:** **\*\* Jan. 27, 2009**

(54) **SLOW COOKER**

(75) Inventor: **Rong Yuan Tseng**, Lujhu Township,  
Taoyuan County (TW)

(73) Assignee: **Great Yen Electric Food Grinder Co.,  
Ltd.**, Taoyuan County (TW)

(\*\*) Term: **14 Years**

(21) Appl. No.: **29/290,992**

(22) Filed: **Feb. 6, 2008**

(51) **LOC (9) Cl.** ..... **07-02**

(52) **U.S. Cl.** ..... **D7/361**

(58) **Field of Classification Search** ..... D7/323,  
D7/337, 354-361, 365, 376-379, 383-384,  
D7/545, 560; D21/525; 99/324-325, 329 R,  
99/330-340, 347, 403, 410-413, 419, 473;  
219/386, 401, 428-430, 435-436, 440-441;  
220/203.01, 203.07, 303, 573.1, 912  
See application file for complete search history.

(56) **References Cited**

**U.S. PATENT DOCUMENTS**

D141,818 S \* 7/1945 Kendall ..... D7/358  
D323,762 S \* 2/1992 Barrault ..... D7/354  
D369,505 S \* 5/1996 Philippe ..... D7/354  
D380,504 S \* 7/1997 Yang ..... D21/525

D382,767 S \* 8/1997 Lien ..... D7/360  
D418,360 S \* 1/2000 Kei ..... D7/354  
6,263,787 B1 \* 7/2001 Tseng et al. .... 99/413  
D530,564 S \* 10/2006 Chiba ..... D7/360  
D549,517 S \* 8/2007 Moran ..... D7/358  
D552,921 S \* 10/2007 Garman et al. .... D7/354

\* cited by examiner

*Primary Examiner*—Caron Veynar

*Assistant Examiner*—Ricky Pham

(74) *Attorney, Agent, or Firm*—Rosenberg, Klein & Lee

(57) **CLAIM**

The ornamental design for a slow cooker, as shown and described.

**DESCRIPTION**

FIG. 1 is a perspective view of a slow cooker showing my new design;

FIG. 2 is a front view thereof;

FIG. 3 is a rear view thereof;

FIG. 4 is a left side view thereof;

FIG. 5 is a right side view thereof;

FIG. 6 is a top view thereof; and,

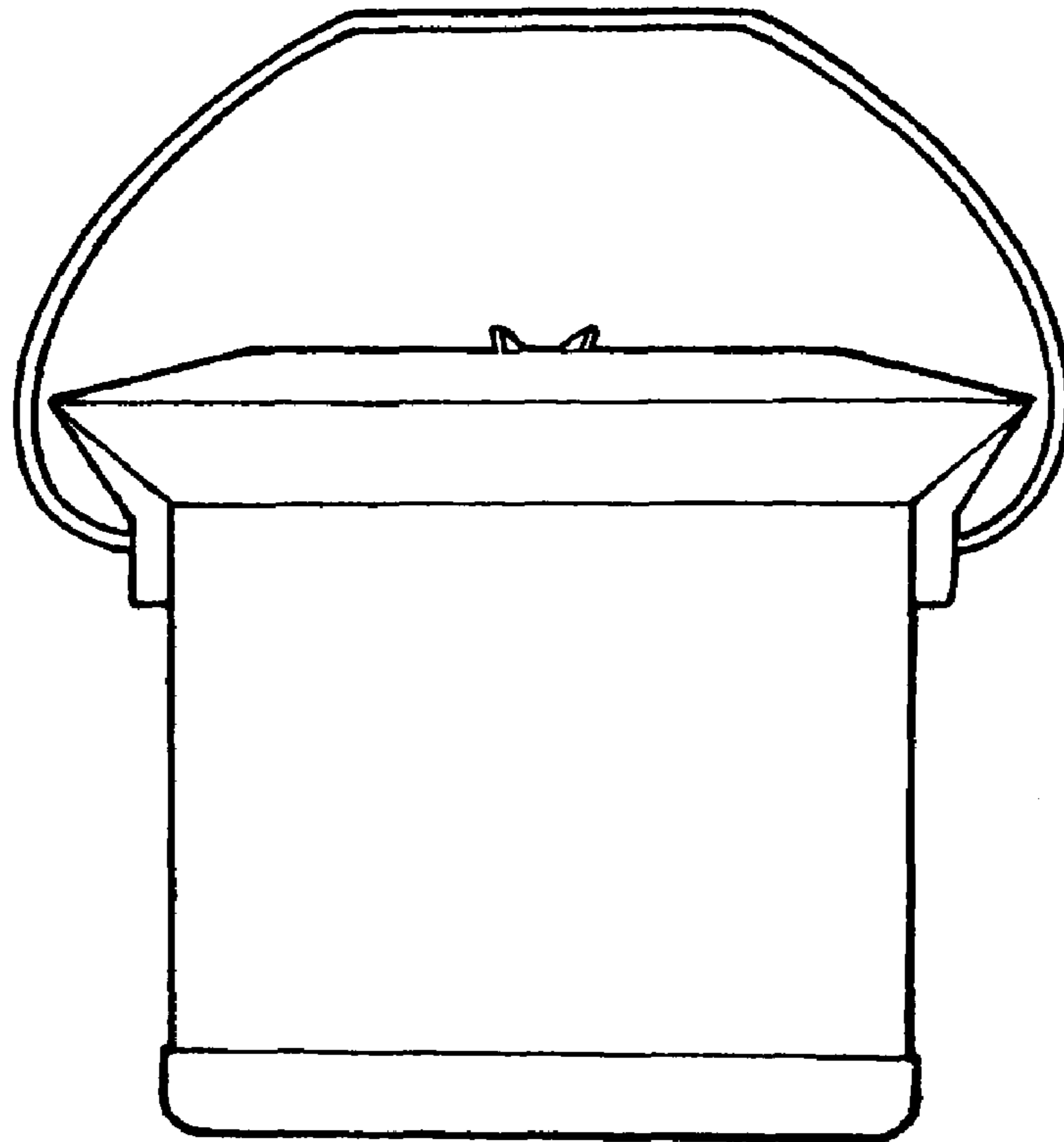
FIG. 7 is bottom view thereof.

**1 Claim, 7 Drawing Sheets**

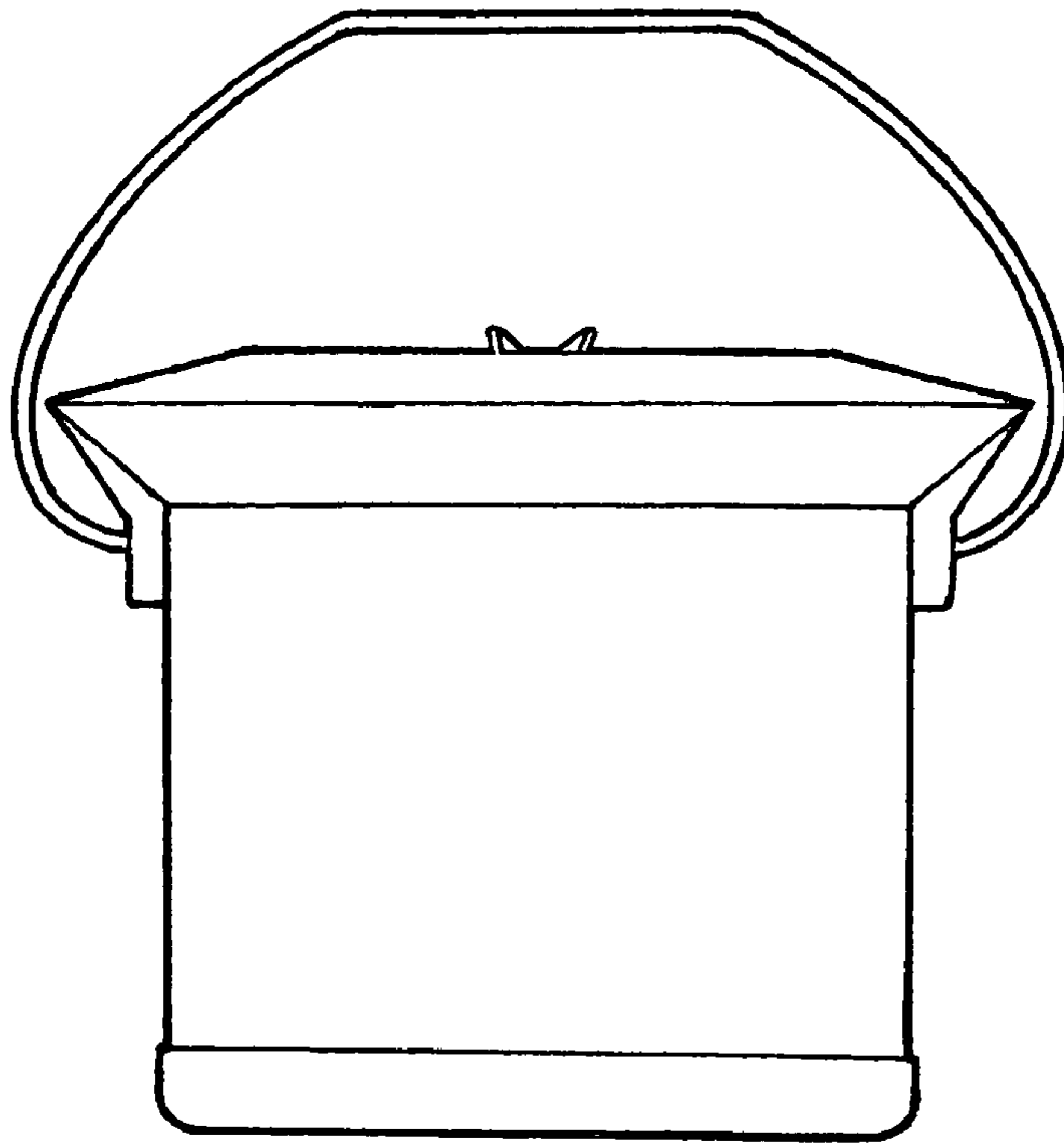




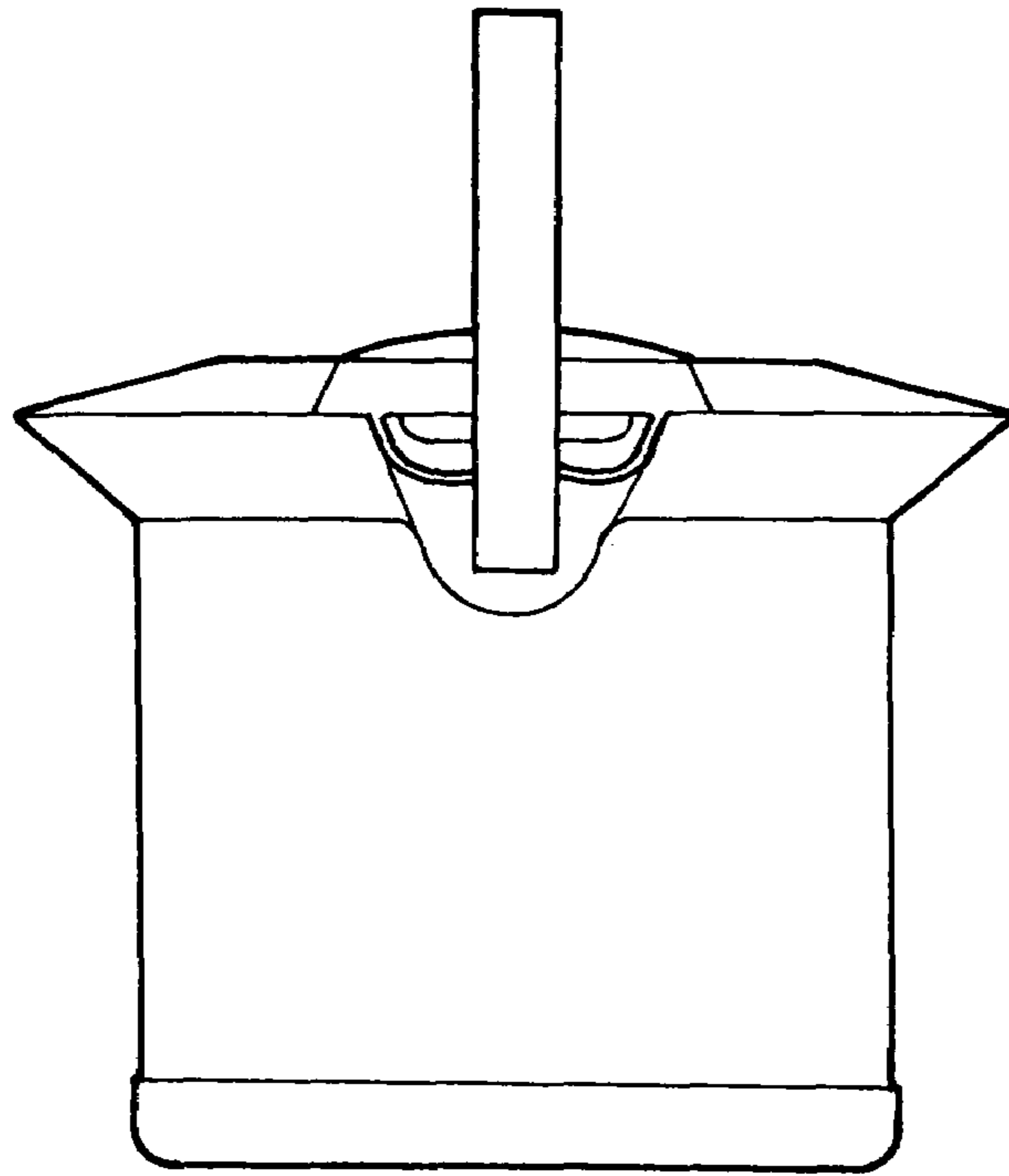
**Fig.1**



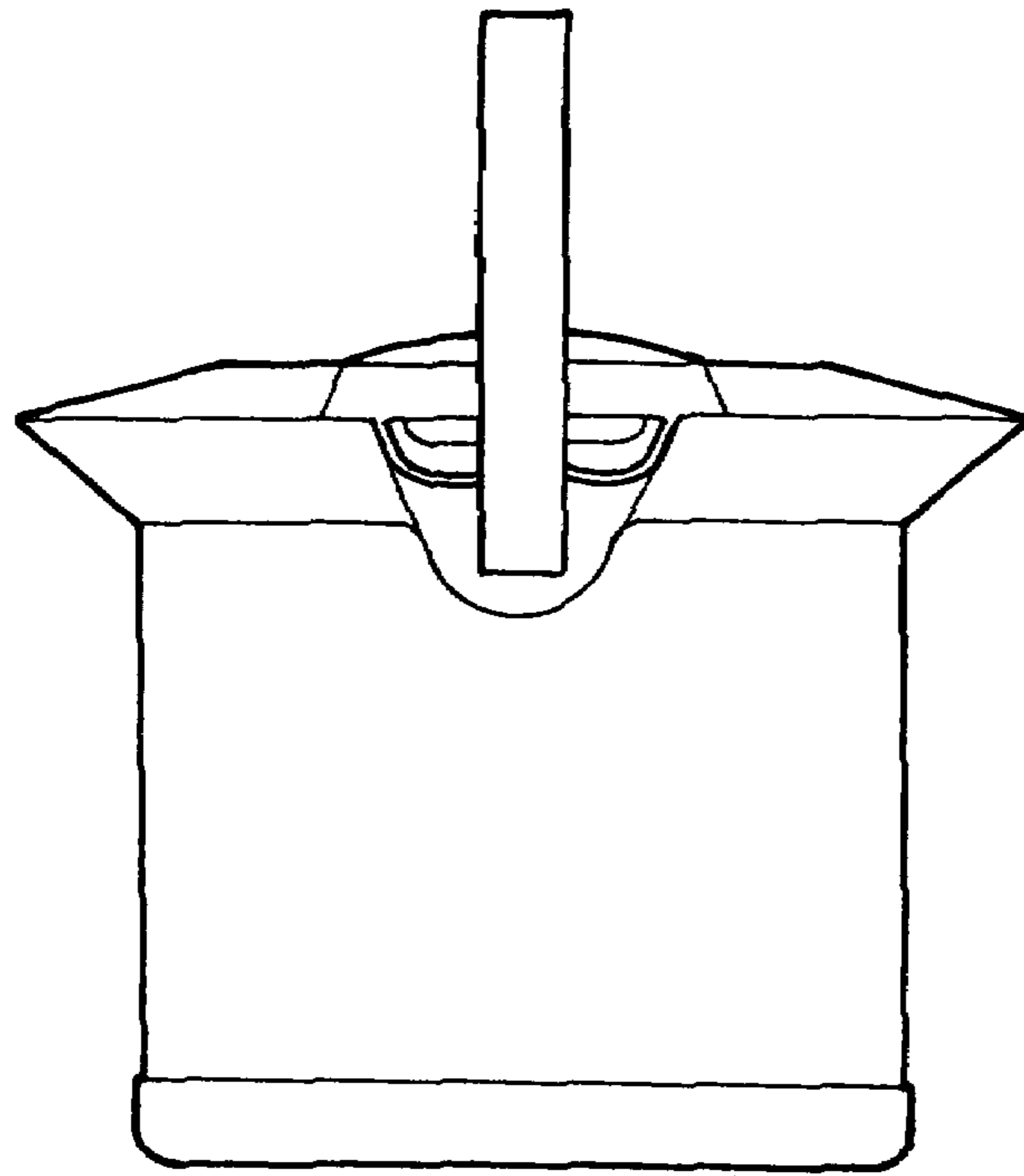
**Fig.2**



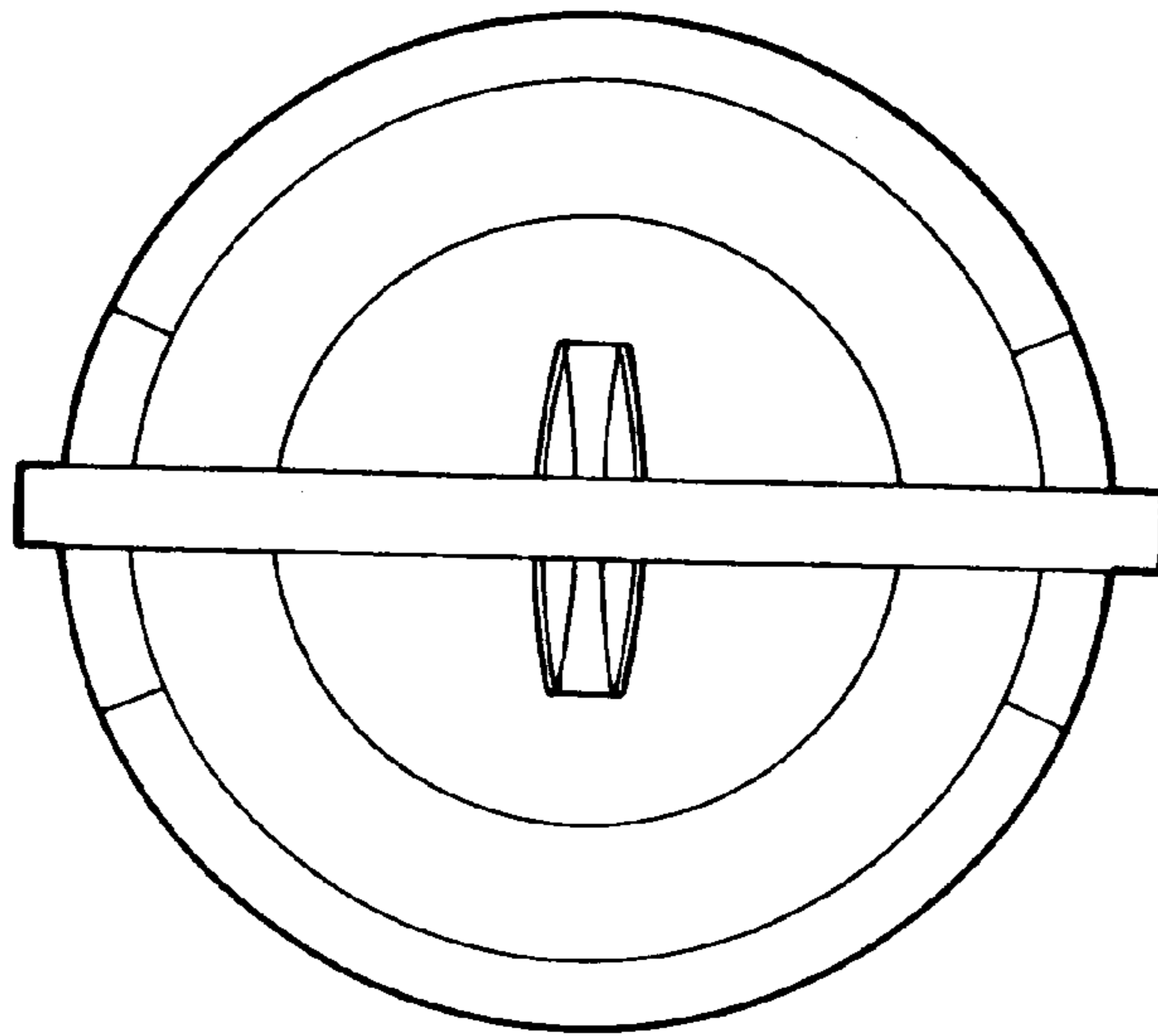
**Fig.3**



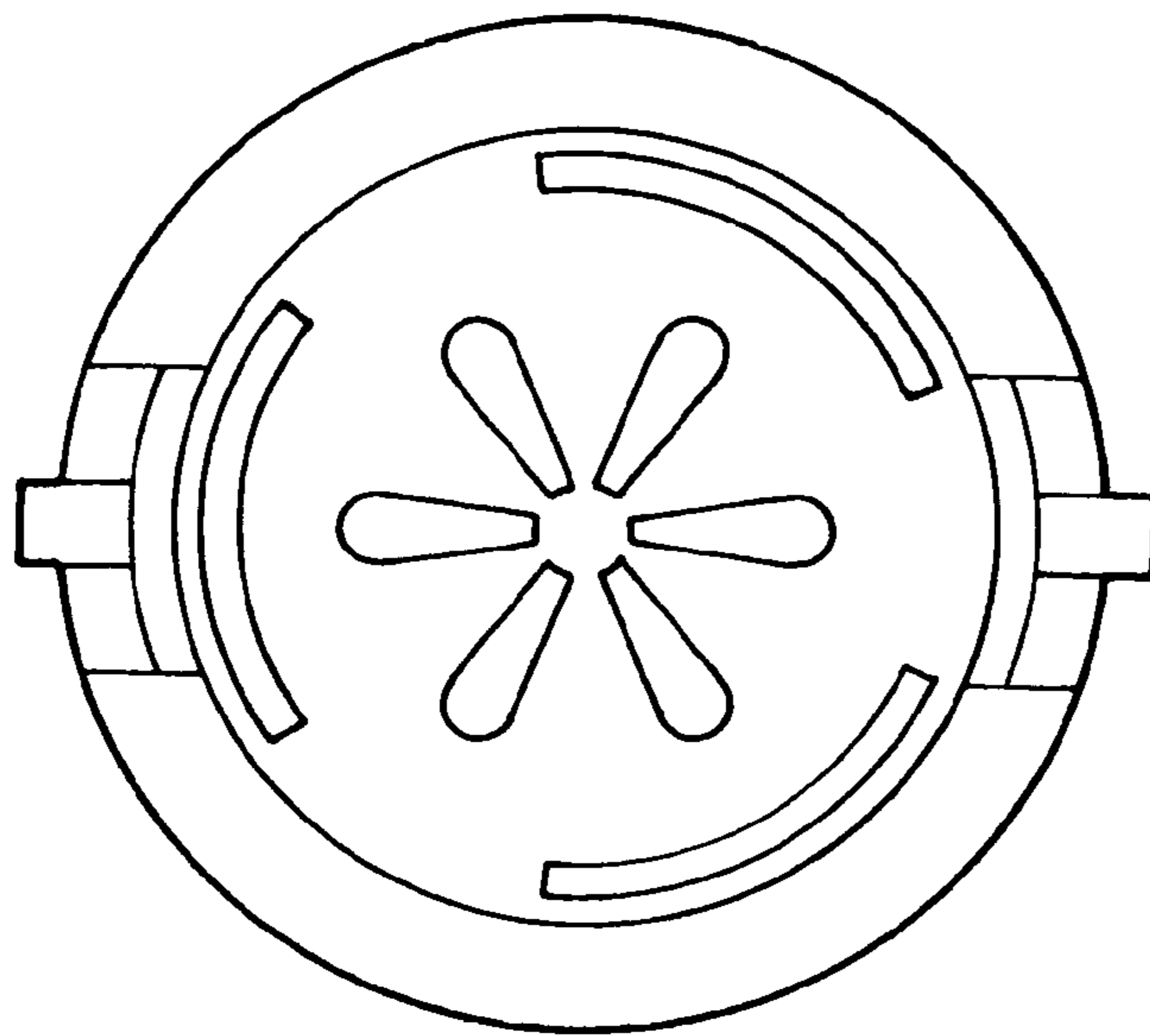
**Fig.4**



**Fig.5**



**Fig.6**



**Fig. 7**