



US00D585236S

(12) **United States Design Patent**
McGinn

(10) **Patent No.:** **US D585,236 S**

(45) **Date of Patent:** **** Jan. 27, 2009**

(54) **CAN COOKER**

(76) **Inventor:** **Seth D. McGinn**, 16110 Sprague St.,
Omaha, NE (US) 68116

(**) **Term:** **14 Years**

(21) **Appl. No.:** **29/323,005**

(22) **Filed:** **Aug. 15, 2008**

(51) **LOC (9) Cl.** **07-02**

(52) **U.S. Cl.** **D7/360**

(58) **Field of Classification Search** D7/323,
D7/332, 352-361, 365, 378-379, 383-384,
D7/391-396.1, 402, 542-543, 545, 667;
D21/525; 99/140 R, 337, 340, 345, 403,
99/422, 425, 445; 219/620-622, 725-730;
220/203.01, 573.1-574, 769, 912; 222/146.1,
222/545, 572, 573.1

See application file for complete search history.

(56) **References Cited**

U.S. PATENT DOCUMENTS

5,531,154 A * 7/1996 Perez, III 99/340
D382,767 S * 8/1997 Lien D7/360

D469,301 S * 1/2003 Ryan et al. D7/360
D481,903 S * 11/2003 Hester D7/332
D486,348 S * 2/2004 Zhu D7/332
D550,022 S * 9/2007 Amajuwon et al. D7/332
D553,424 S * 10/2007 Lin D7/354
D568,092 S * 5/2008 Boes et al. D7/354

* cited by examiner

Primary Examiner—Caron Veynar

Assistant Examiner—Ricky Pham

(74) *Attorney, Agent, or Firm*—Hamilton IP Law, PC; Jay R.
Hamilton; Charles A. Damschen

(57) **CLAIM**

The ornamental design for a can cooker, as shown and described.

DESCRIPTION

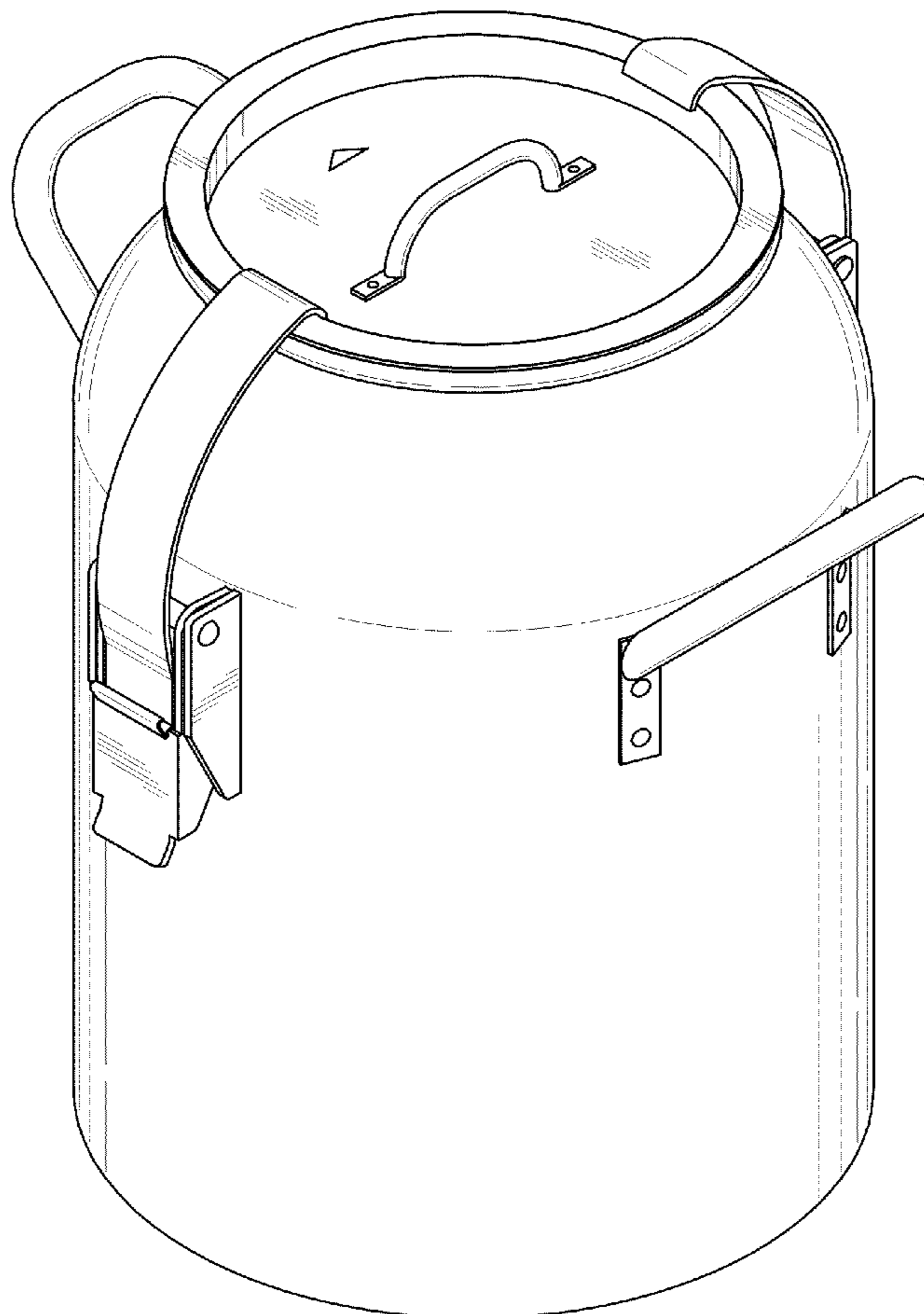
FIG. 1 is a front perspective view showing my new design;

FIG. 2 is a front view thereof,

FIG. 3 is a side view thereof, and,

FIG. 4 top view thereof.

1 Claim, 4 Drawing Sheets



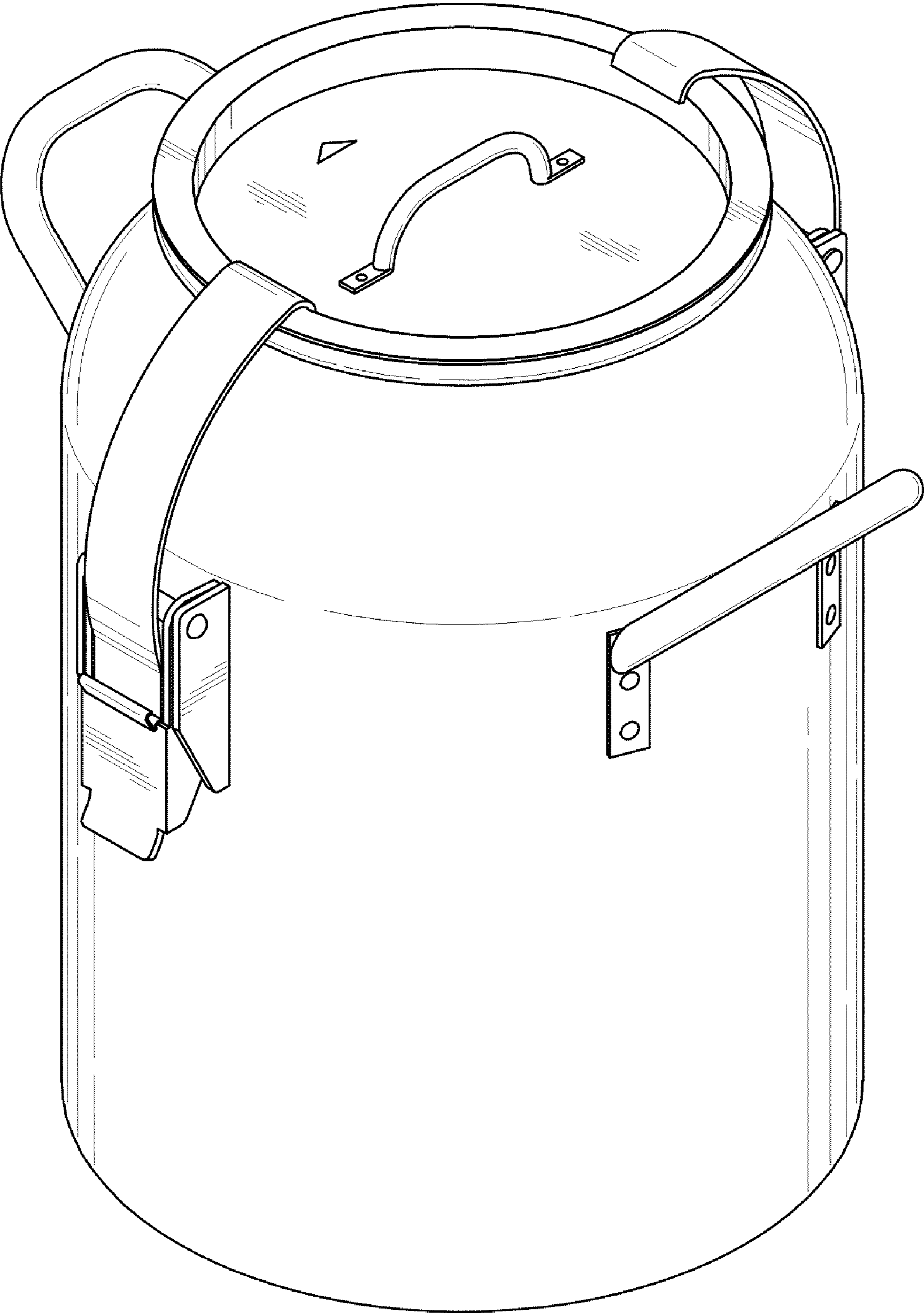


FIG. 1

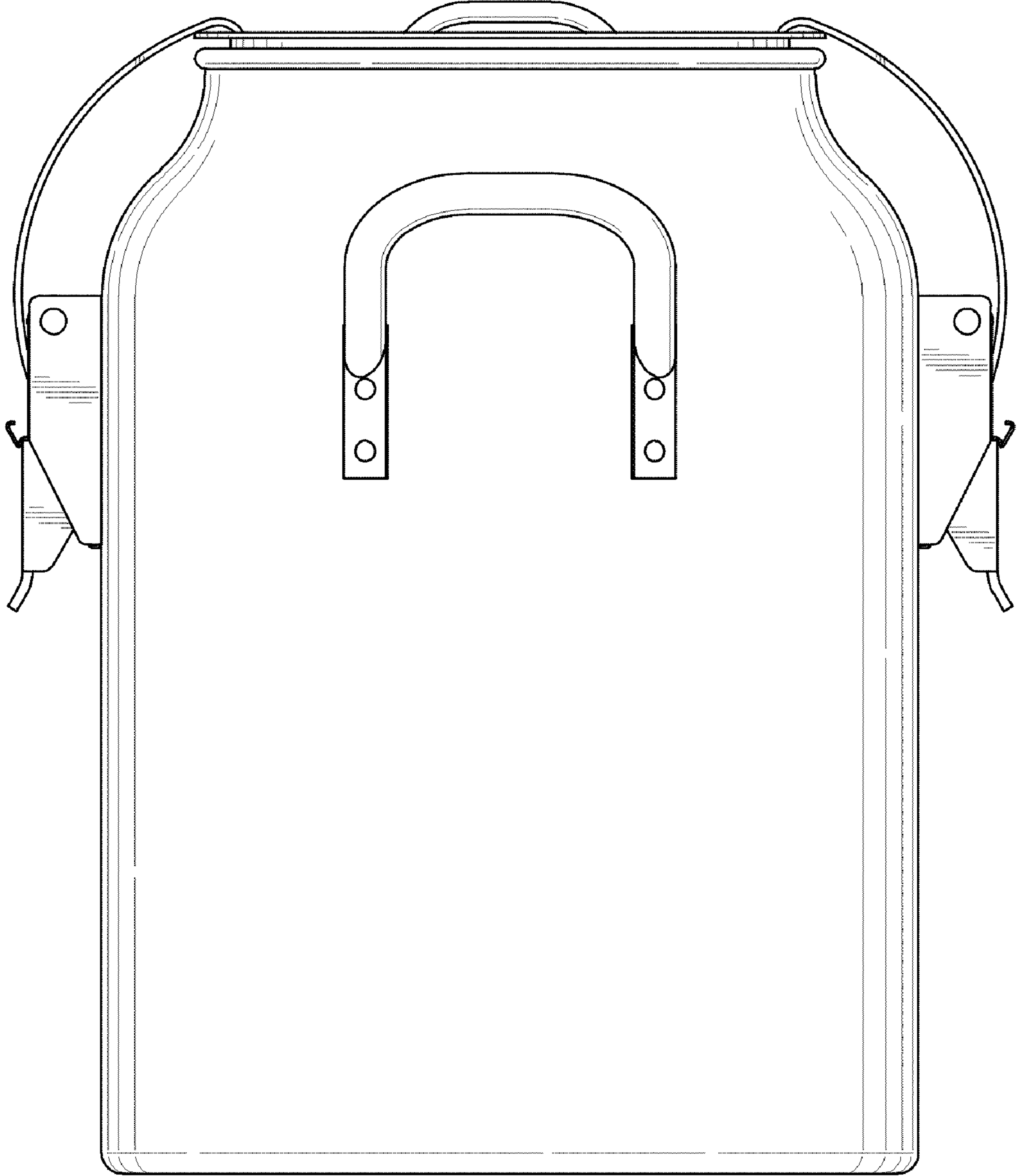


FIG. 2

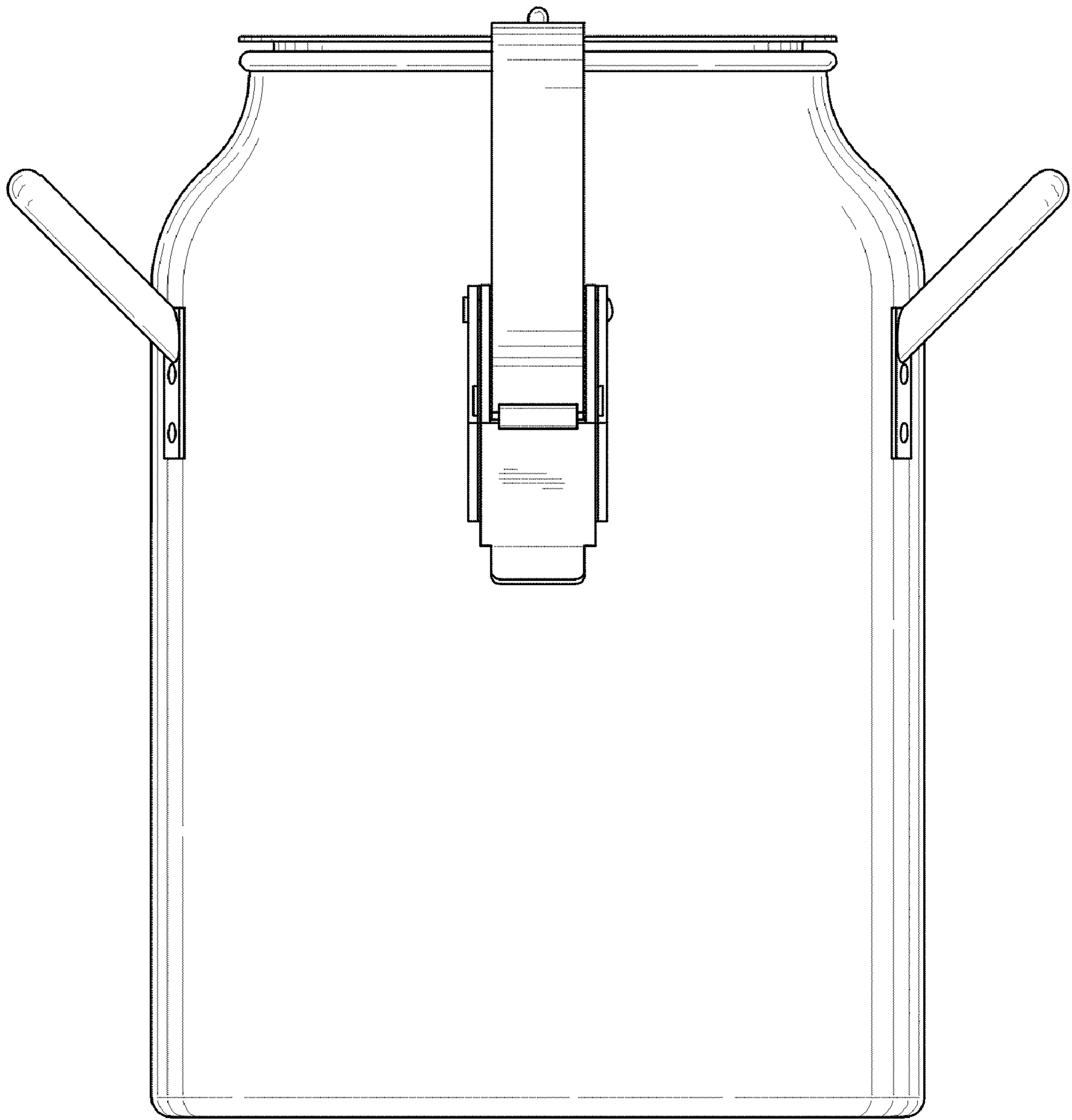


FIG. 3

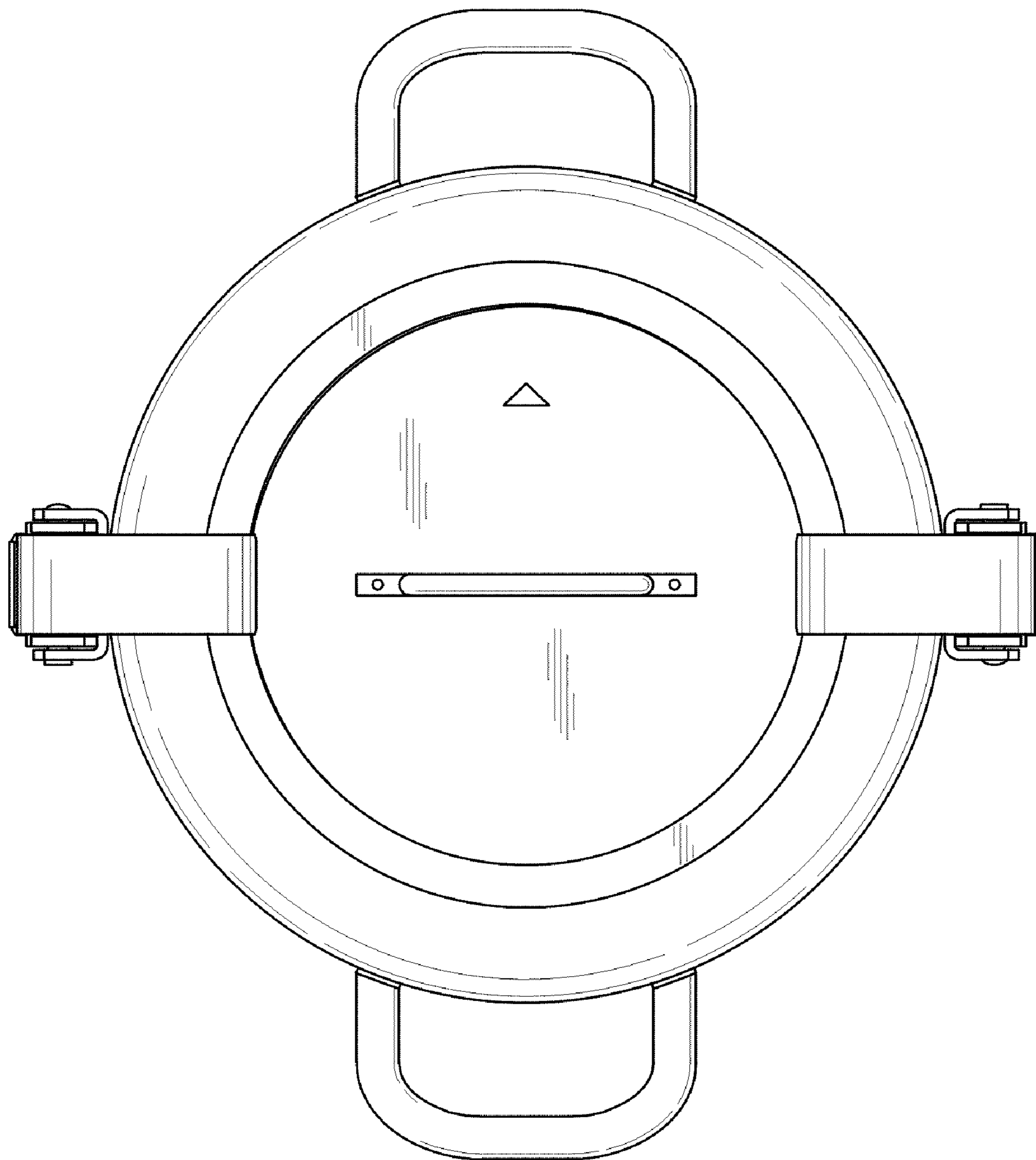


FIG. 4