



US00D585235S

(12) **United States Design Patent**  
**Tetreault et al.**

(10) **Patent No.:** **US D585,235 S**

(45) **Date of Patent:** **\*\* Jan. 27, 2009**

(54) **TOASTER OVEN**

D540,106 S \* 4/2007 Jeon ..... D7/351  
D546,121 S \* 7/2007 Hessen et al. .... D7/405

(75) Inventors: **Joel Tetreault**, Haskins, OH (US);  
**Kevin O'Doherty**, Kowloon Bay (HK);  
**Liu Wai Hung**, Kowloon Bay (HK); **Lee**  
**Chak Por**, Kowloon Bay (HK)

\* cited by examiner

*Primary Examiner*—Ruth McInroy  
(74) *Attorney, Agent, or Firm*—Gardner Groff Greenwald &  
Villanueva, PC

(73) Assignee: **Calphalon Corporation**, Atlanta, GA  
(US)

(57) **CLAIM**

(\*\*) Term: **14 Years**

We claim the ornamental design for a toaster oven, as shown  
and described.

(21) Appl. No.: **29/290,678**

(22) Filed: **Jan. 2, 2008**

**DESCRIPTION**

(51) **LOC (9) Cl.** ..... **07-02**

FIG. 1 is a top frontal perspective view of a first embodiment  
of toaster oven according to my new design;

(52) **U.S. Cl.** ..... **D7/350.1**

FIG. 2 is a front view of the toaster oven shown in FIG. 1;

(58) **Field of Classification Search** ..... D7/350.1,  
D7/350.3, 350.4, 351, 402, 405; 126/19 M,  
126/275 E; 219/756–758, 679, 680, 725,  
219/727, 734, 435; 99/DIG. 14

FIG. 3 is a rear view of the toaster oven shown in FIG. 1;

FIG. 4 is a right side view of the toaster oven shown in FIG. 1;

FIG. 5 is a left side view of the toaster oven shown in FIG. 1;

FIG. 6 is a top view of the toaster oven shown in FIG. 1; and,

FIG. 7 is a bottom view of the toaster oven shown in FIG. 1.

See application file for complete search history.

The ornamental design which is claimed is shown in solid  
lines in the drawings. The broken lines in the drawings are for  
illustrative purposes only and form no part of the claimed  
design.

(56) **References Cited**

**U.S. PATENT DOCUMENTS**

D329,353 S \* 9/1992 Yamada ..... D7/351  
D463,199 S \* 9/2002 Choi ..... D7/351  
D476,846 S \* 7/2003 Piret ..... D7/351  
D539,073 S \* 3/2007 Kanza ..... D7/351

**1 Claim, 4 Drawing Sheets**

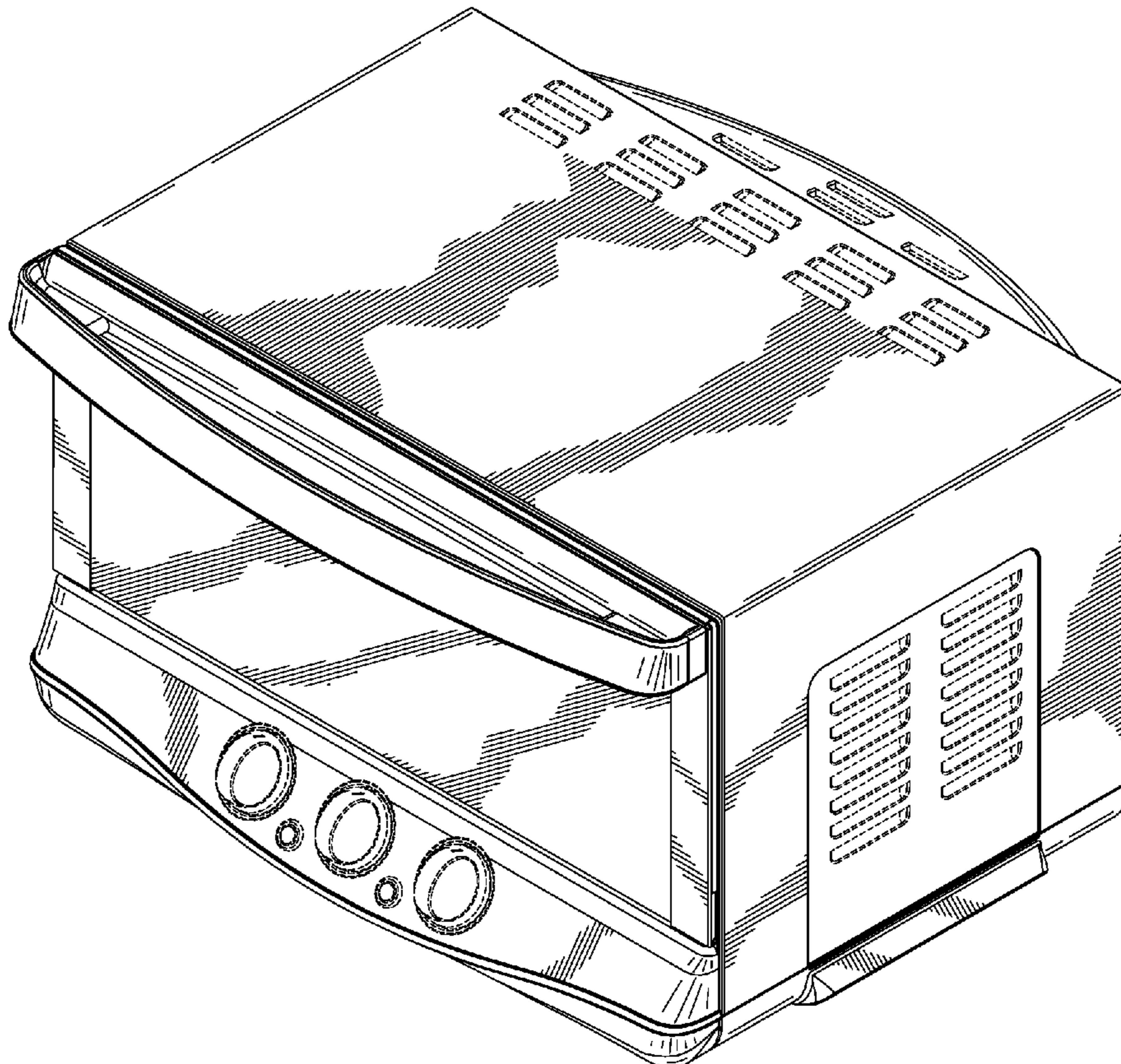


Fig. 1

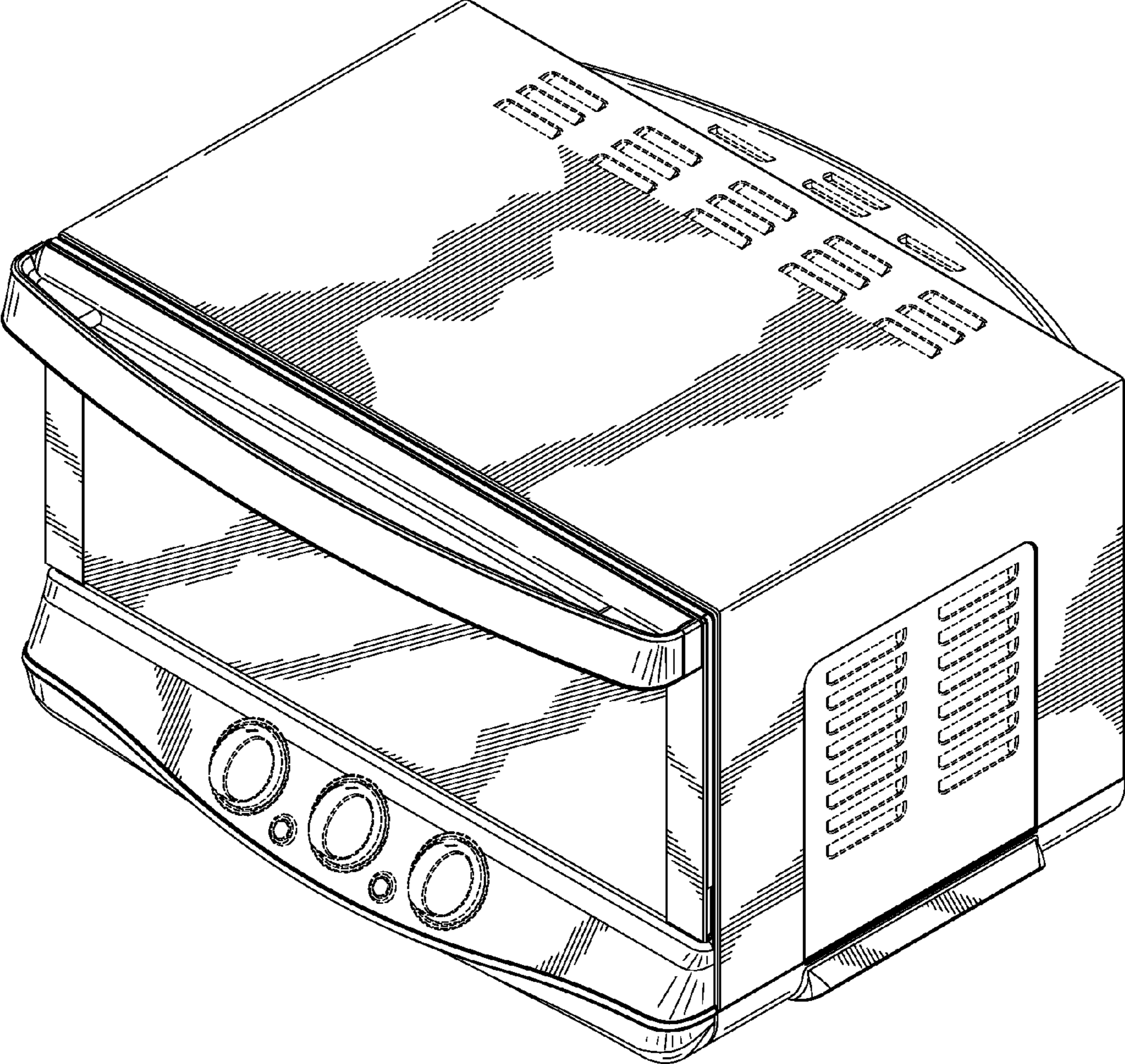




Fig. 2

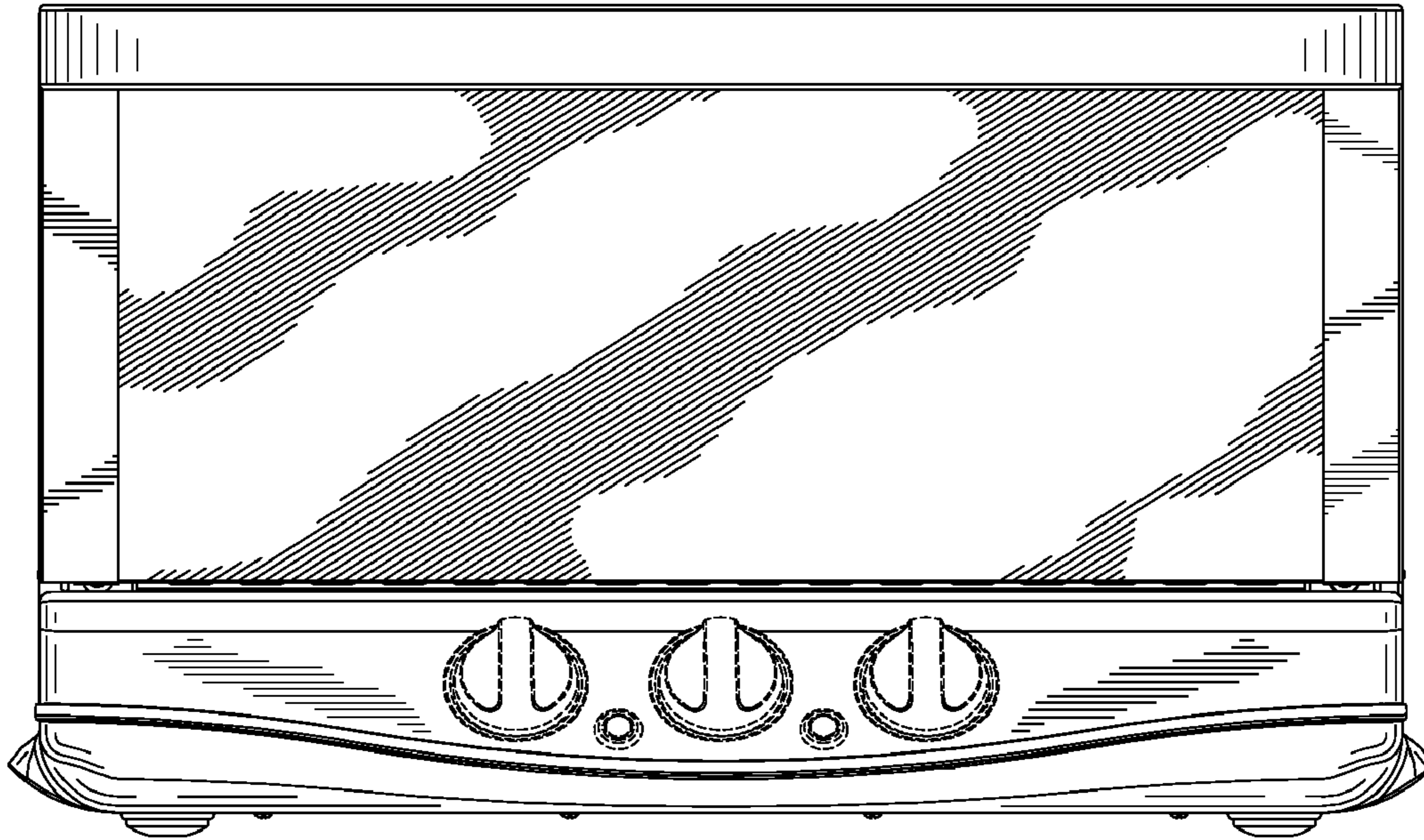


Fig. 3

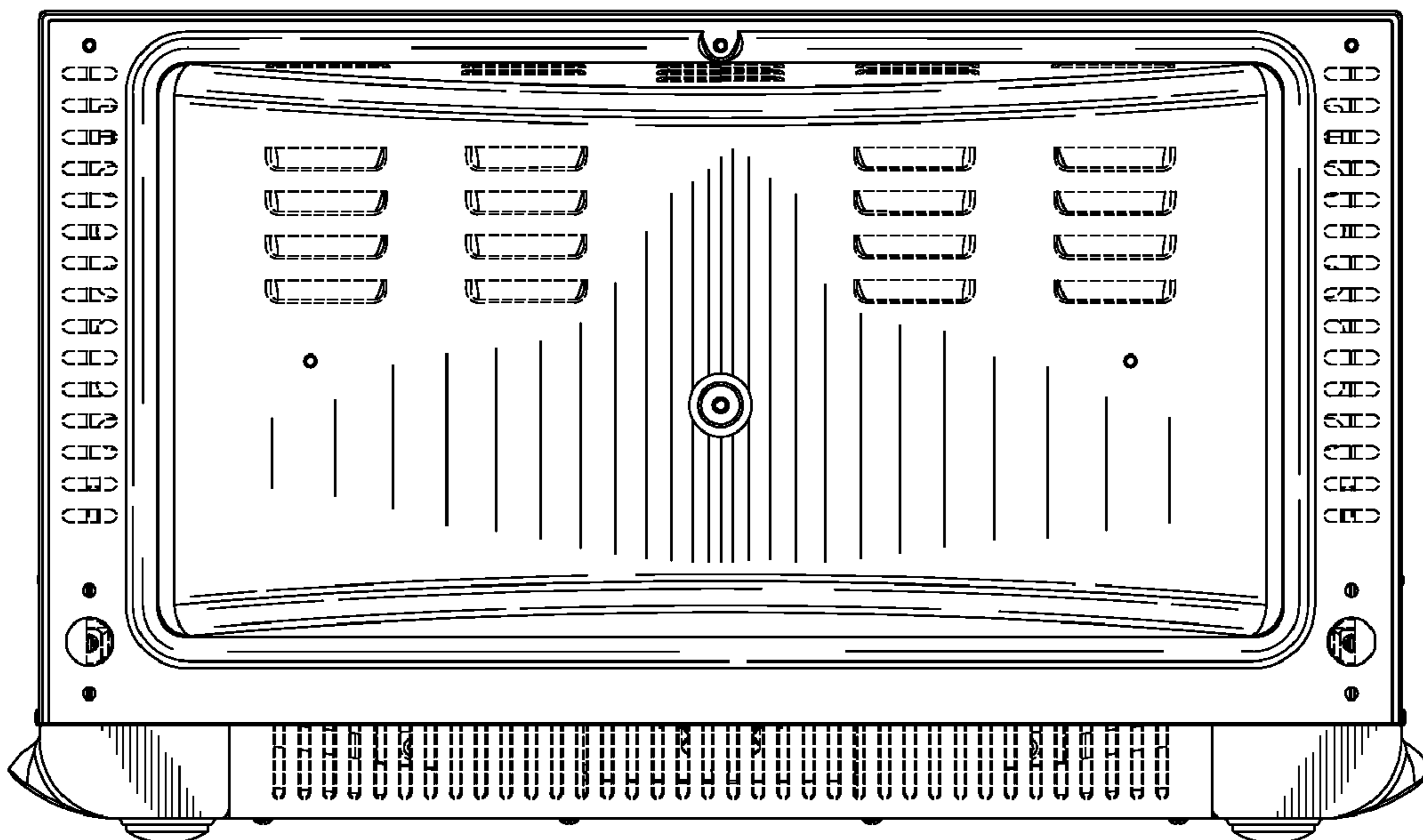


Fig. 4

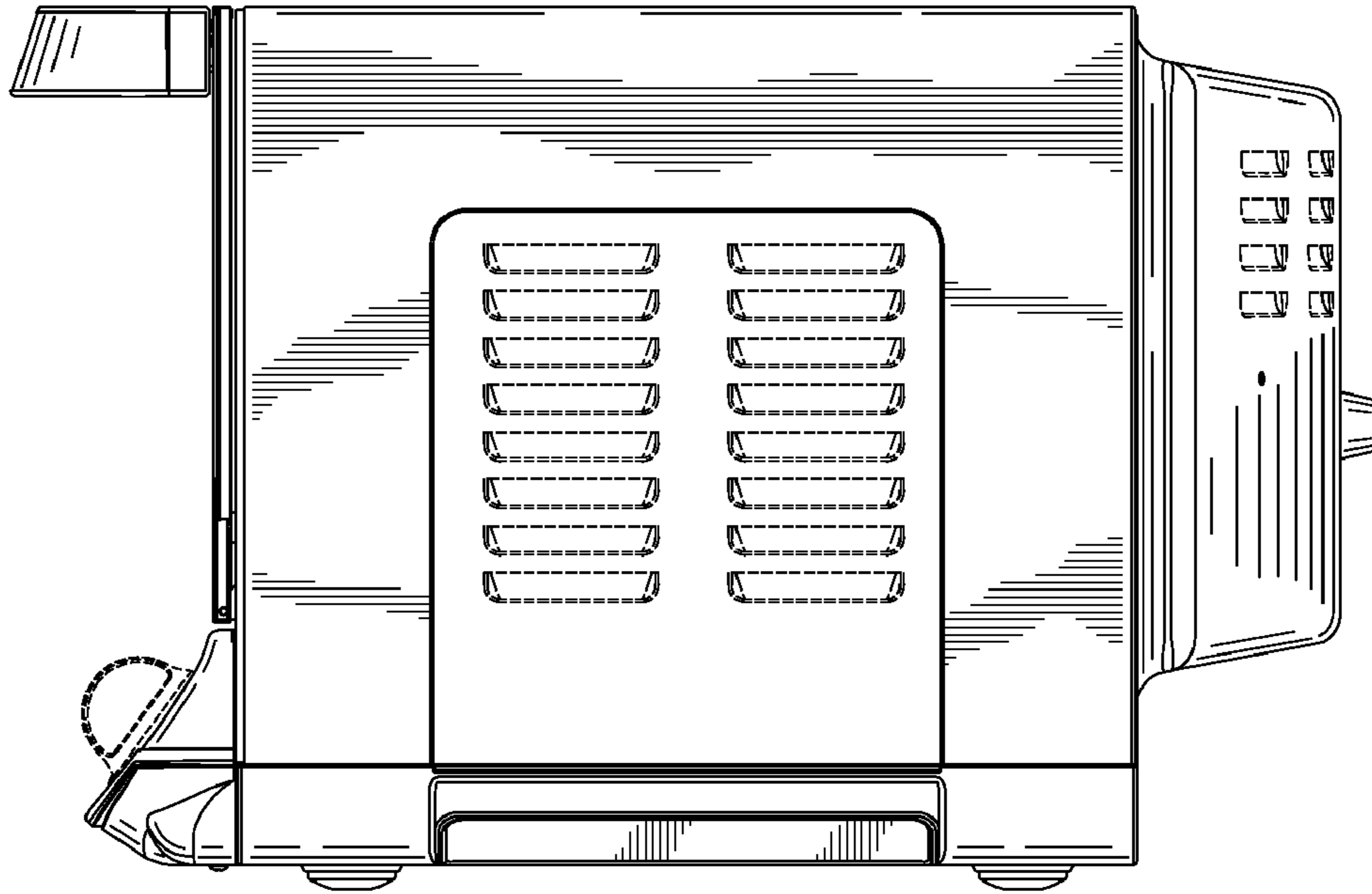


Fig. 5

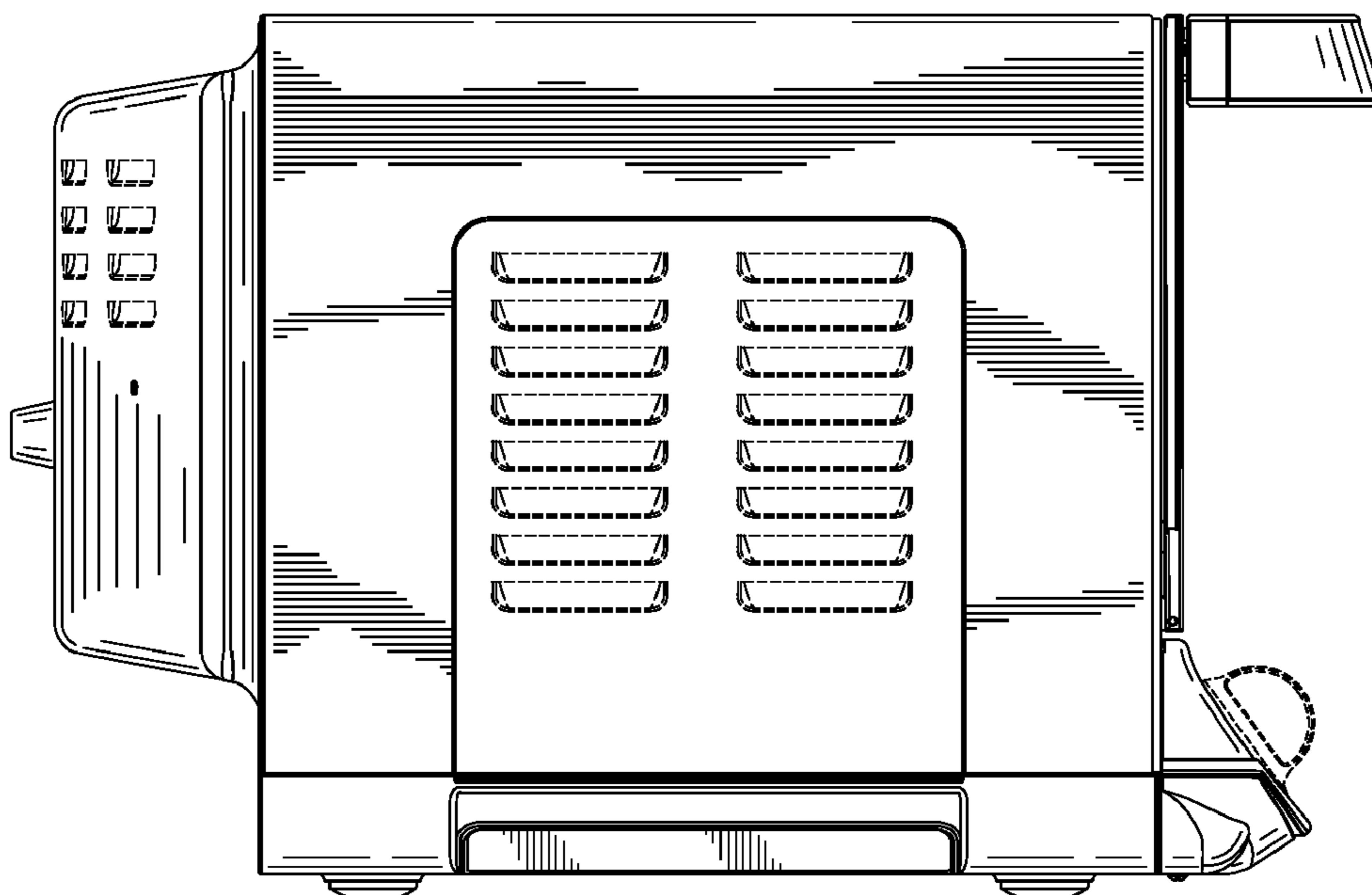


Fig. 6

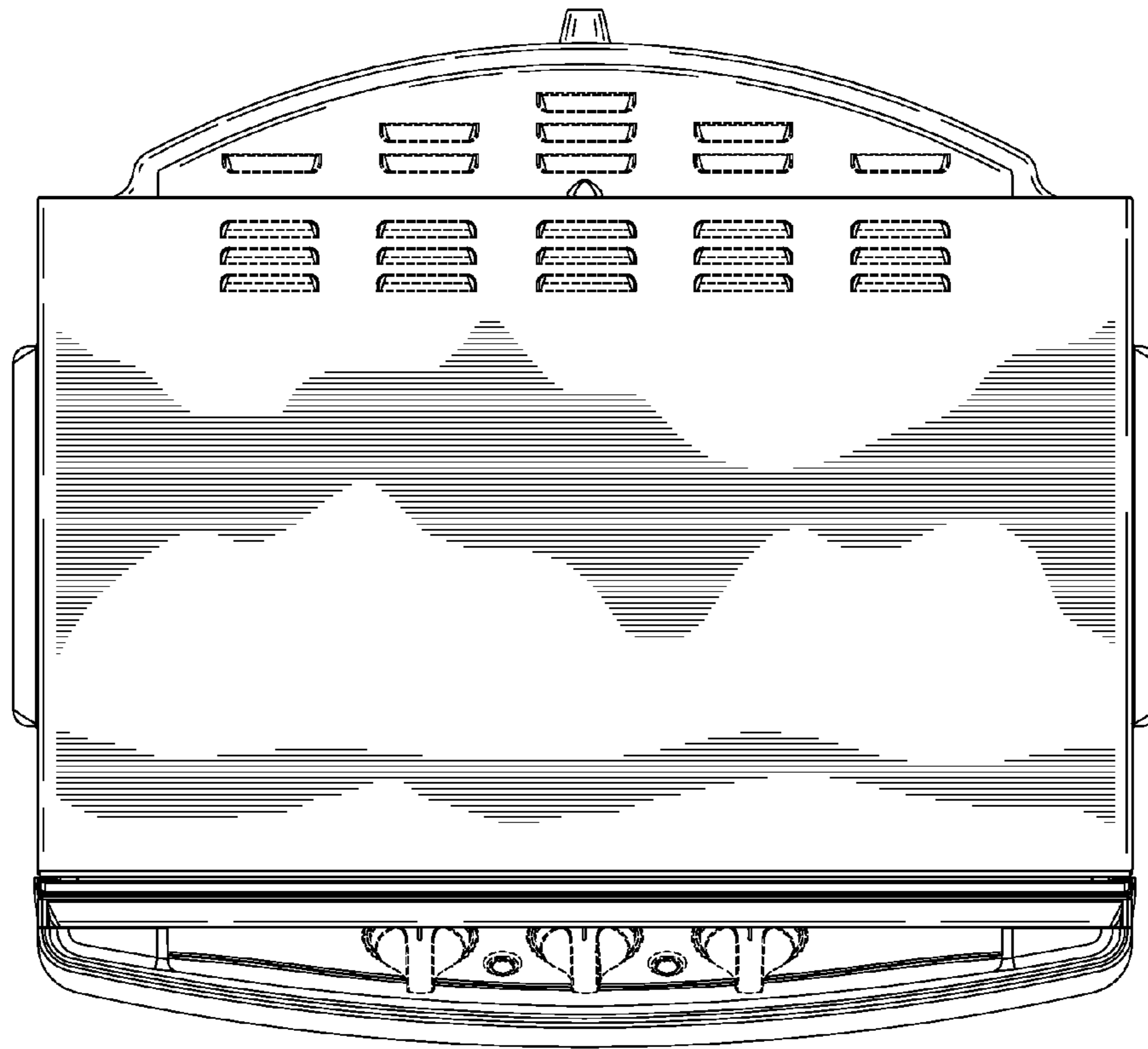


Fig. 7

