



US00D585233S

(12) **United States Design Patent**  
**Bodum**

(10) **Patent No.:** **US D585,233 S**  
(45) **Date of Patent:** **\*\* Jan. 27, 2009**

(54) **COFFEE MAKER WITH FILTER**

(75) Inventor: **Jørgen Bodum**, Meggen (CH)

(73) Assignee: **Pi-Design, AG**, Triengen (CH)

(\*\*) Term: **14 Years**

(21) Appl. No.: **29/297,595**

(22) Filed: **Nov. 14, 2007**

(30) **Foreign Application Priority Data**

May 14, 2007 (DK) ..... DA 2007 00123

(51) **LOC (9) Cl.** ..... **07-01**

(52) **U.S. Cl.** ..... **D7/319; D7/317**

(58) **Field of Classification Search** ..... D7/300-322,  
D7/516, 533, 536; D23/207, 209; 99/297,  
99/319; 210/282, 635; 222/164, 165, 465.1,  
222/466

See application file for complete search history.

(56) **References Cited**

**U.S. PATENT DOCUMENTS**

D369,945 S \* 5/1996 Mulyanto ..... D7/536

\* cited by examiner

*Primary Examiner*—Antoine D Davis  
(74) *Attorney, Agent, or Firm*—Cowan, Leibowitz & Latman,  
PC

(57) **CLAIM**

The ornamental design for a coffee maker with filter, as shown and described.

**DESCRIPTION**

FIG. 1 is a perspective view of the coffee maker with filter showing my design thereof;

FIG. 2 is a front view thereof;

FIG. 3 is a back view thereof;

FIG. 4 is a right side view thereof;

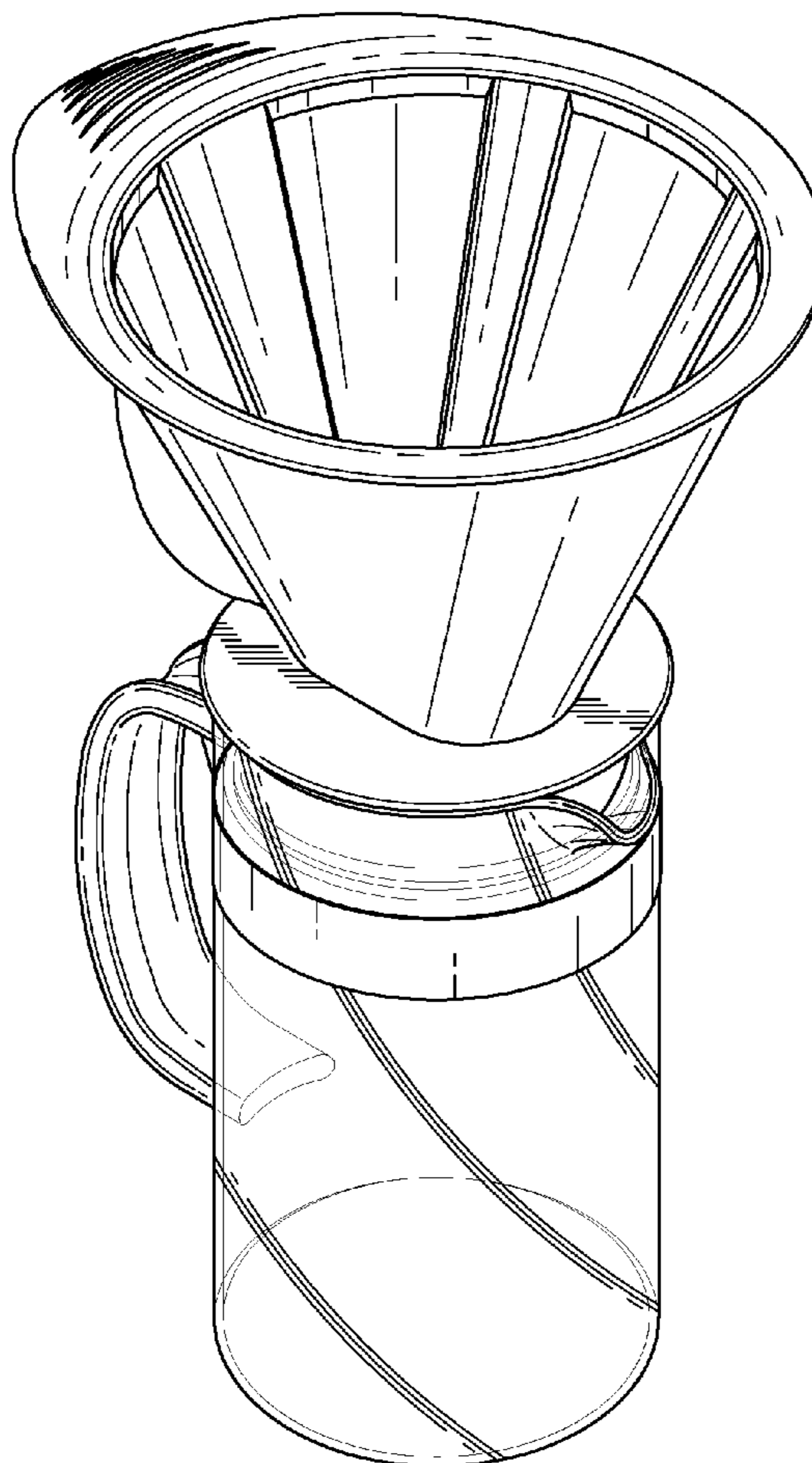
FIG. 5 is a left side view thereof;

FIG. 6 is a top view thereof;

FIG. 7 is a bottom view thereof; and,

FIG. 8 is a cross-sectional view thereof taken along line 8—8 of FIG. 6.

**1 Claim, 8 Drawing Sheets**



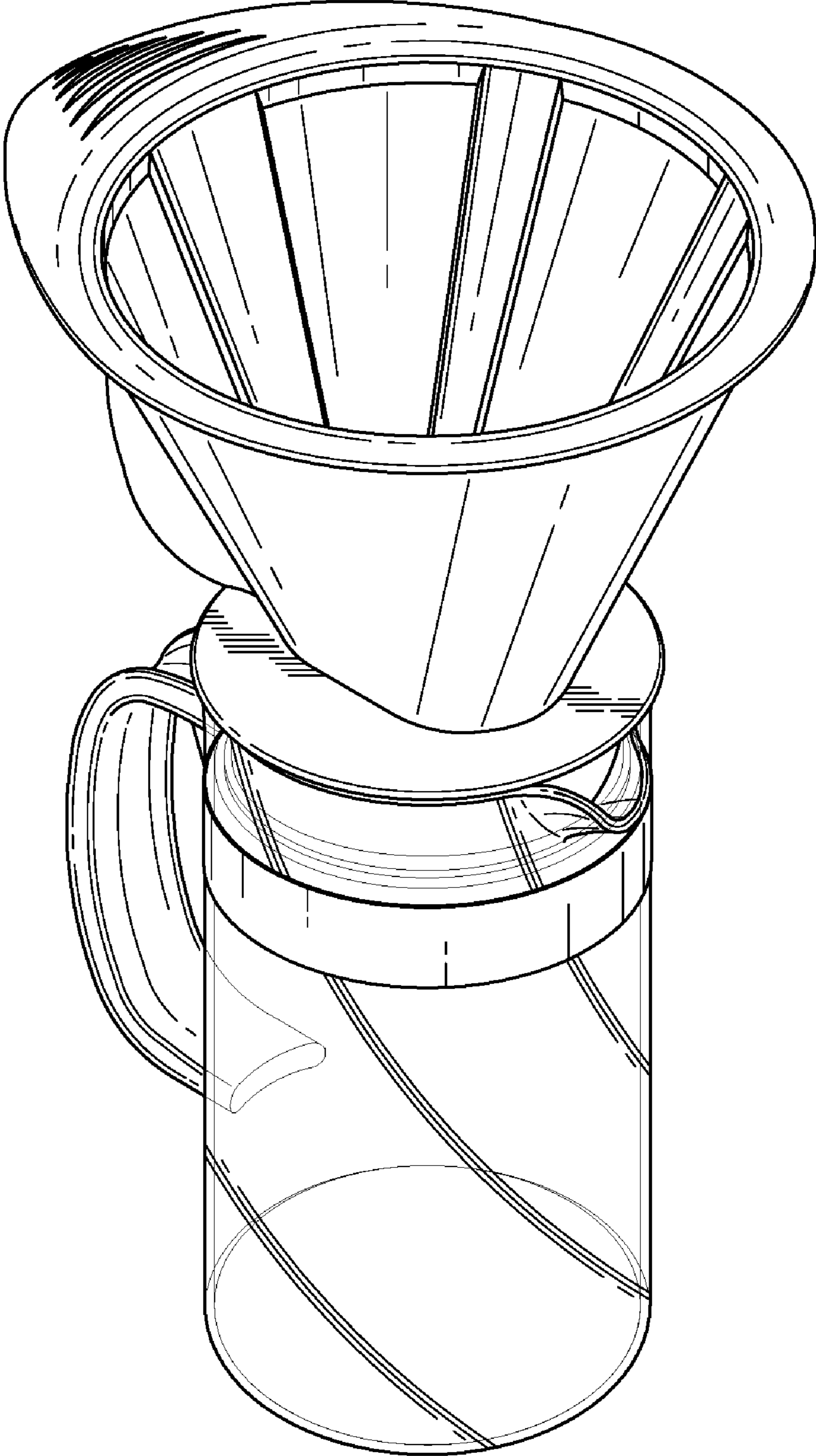


FIG. 1

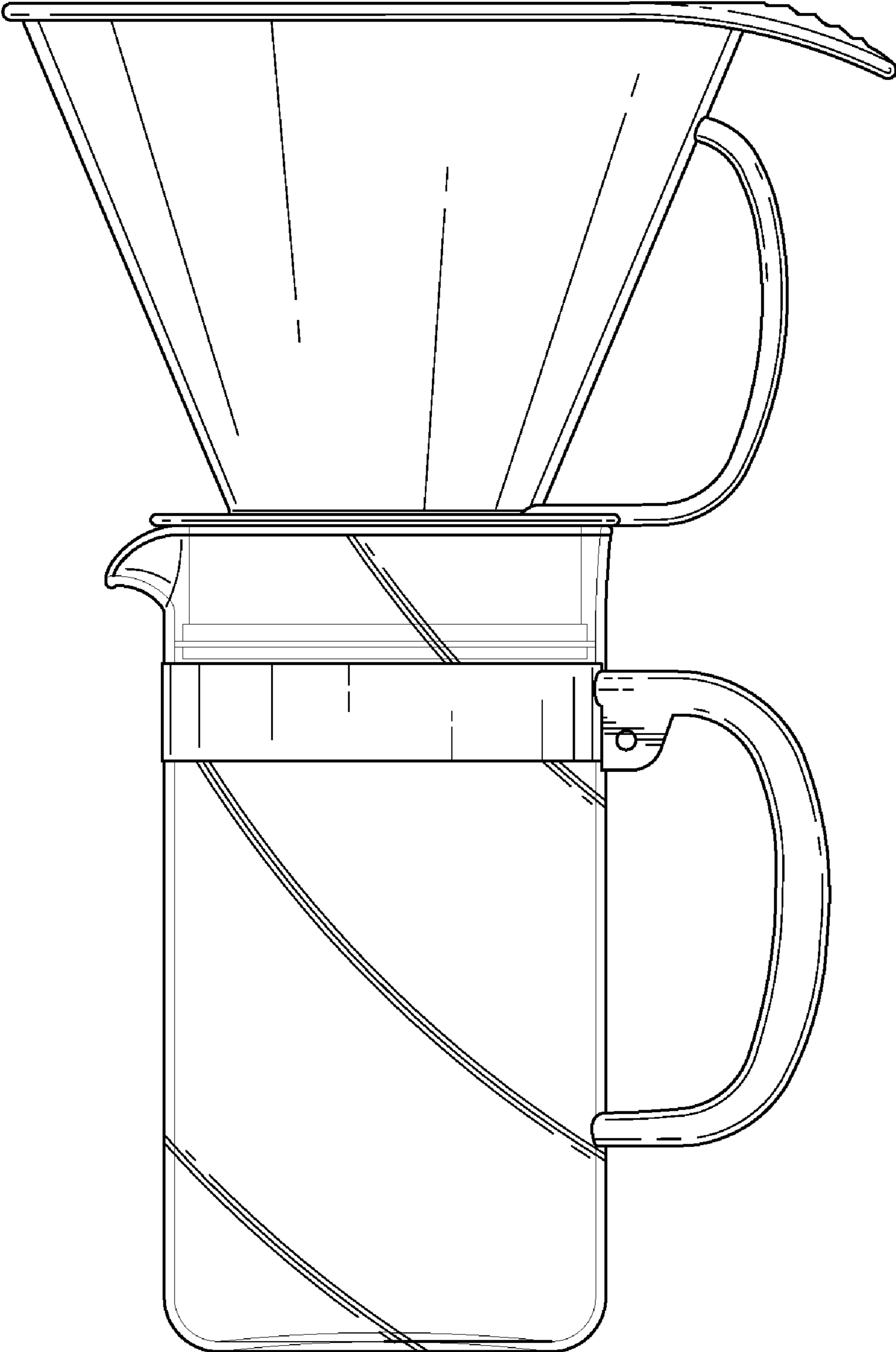


FIG. 2

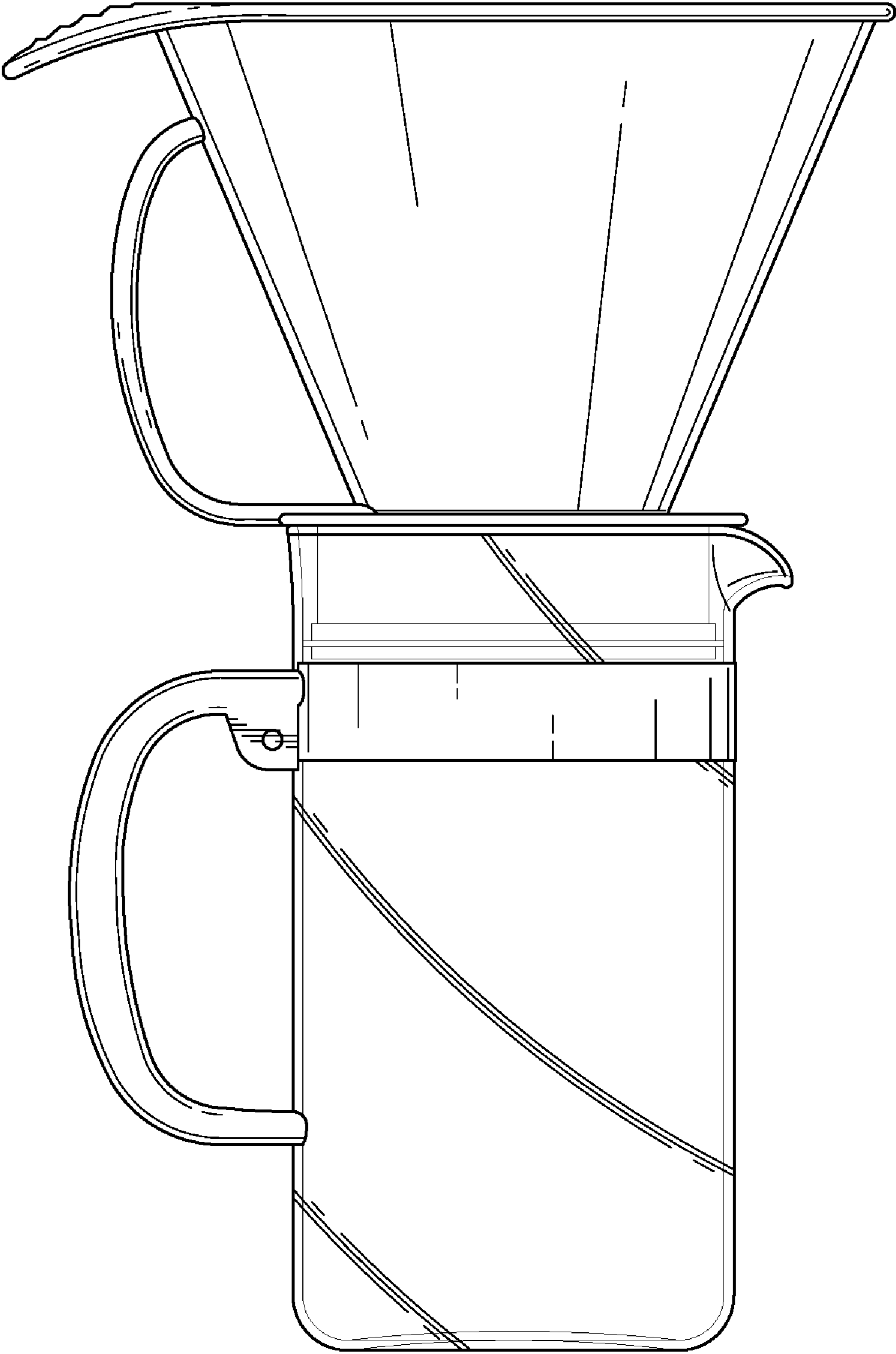


FIG. 3

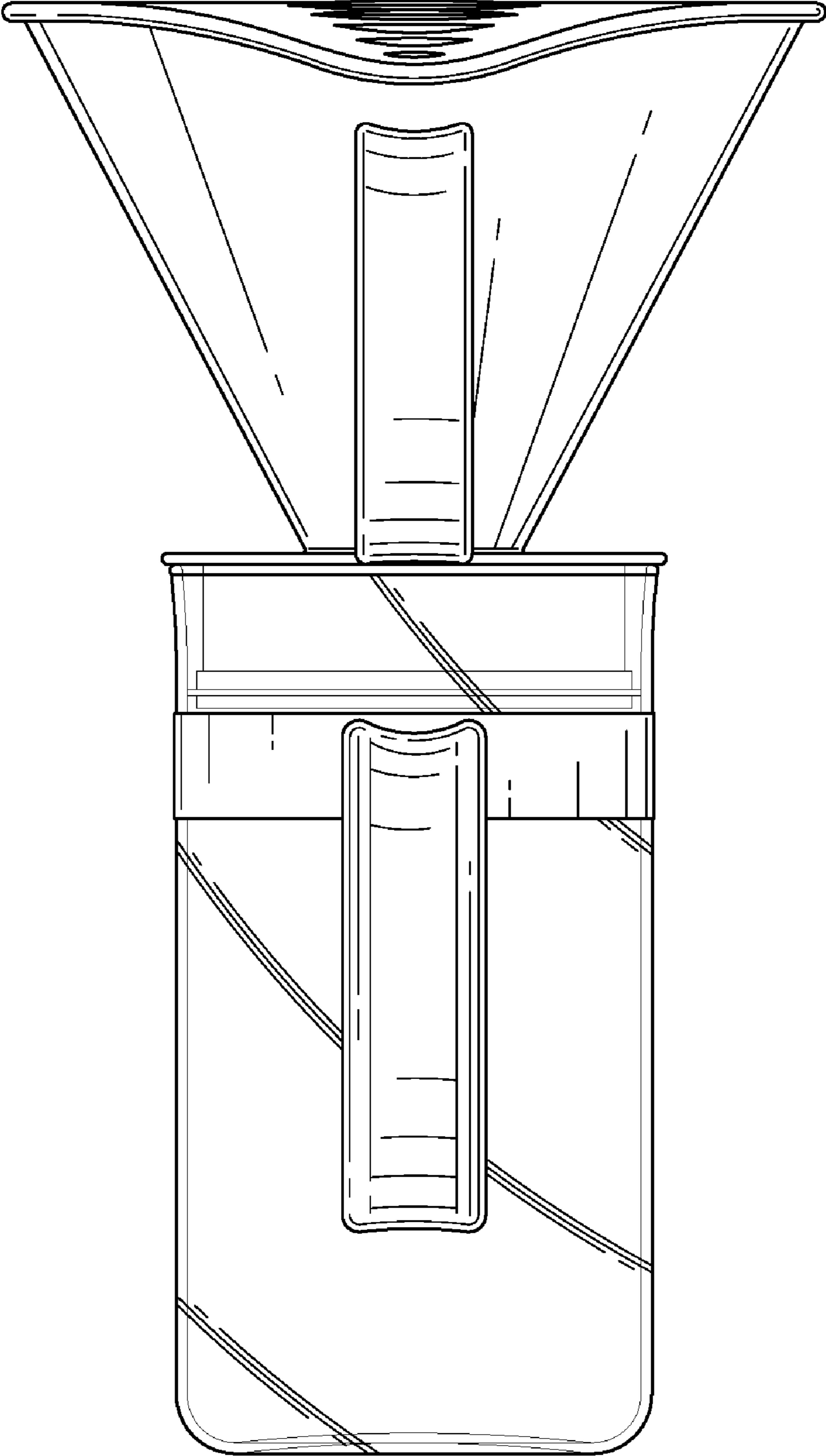


FIG. 4

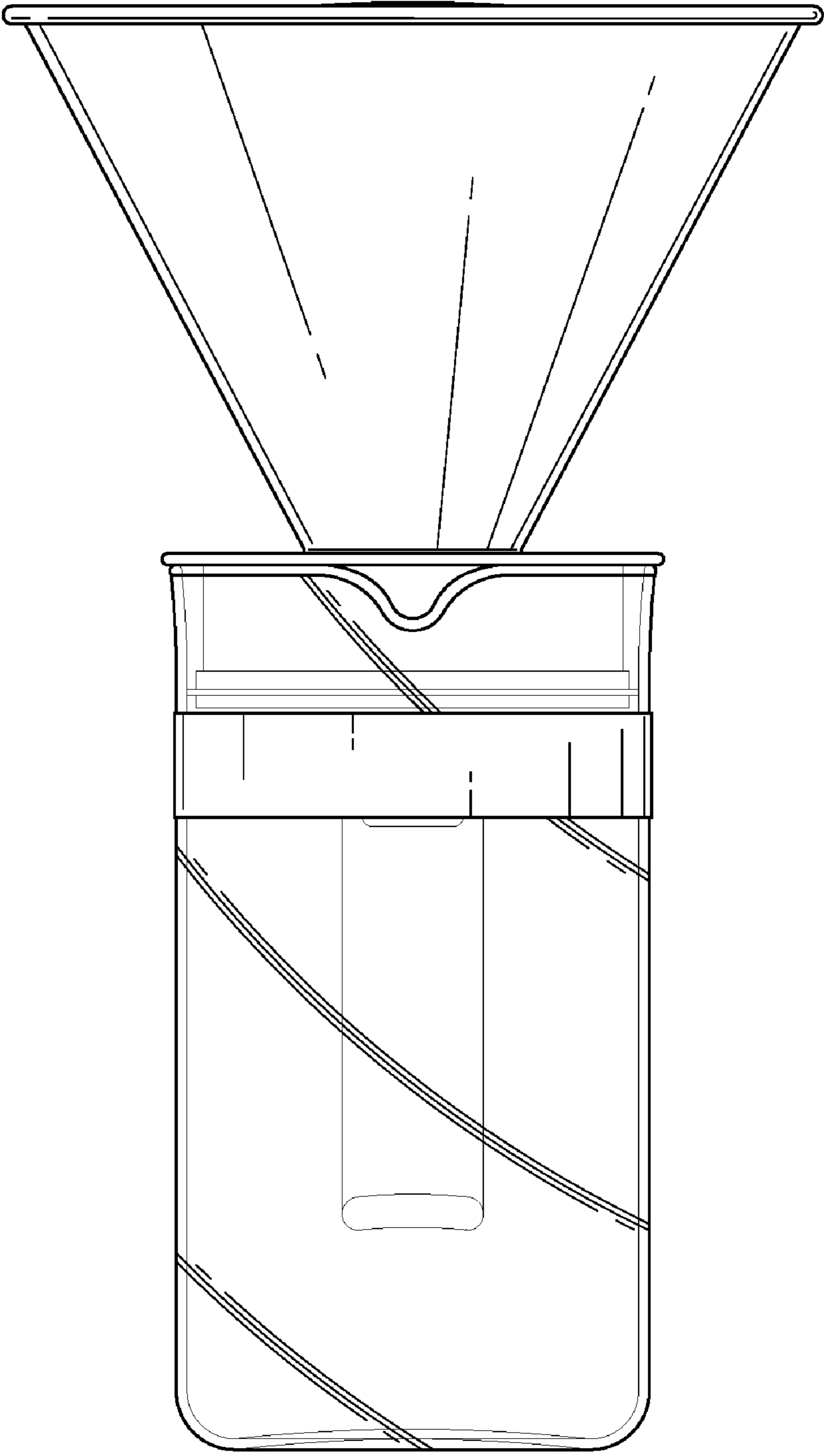


FIG. 5



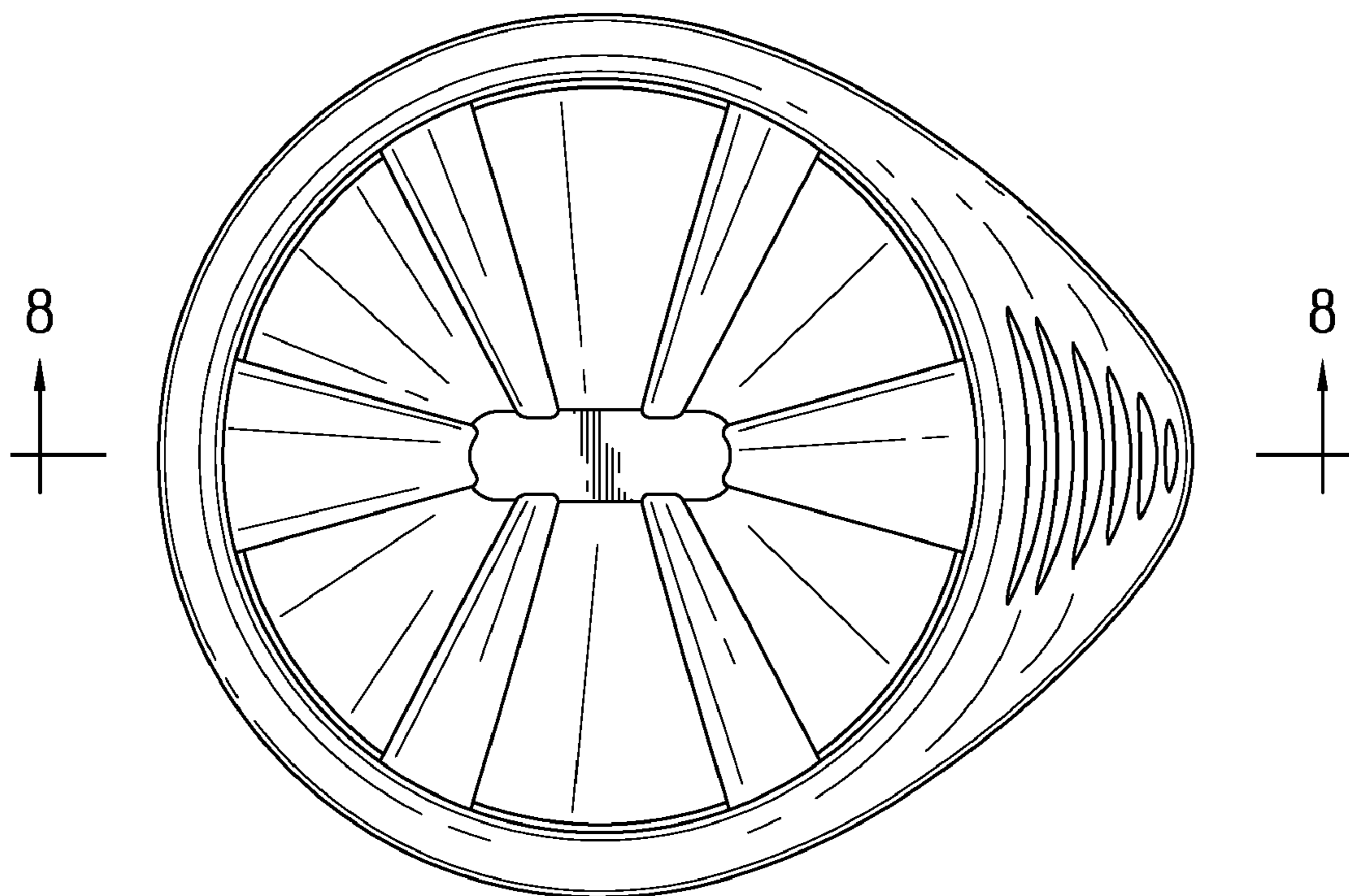


FIG. 6

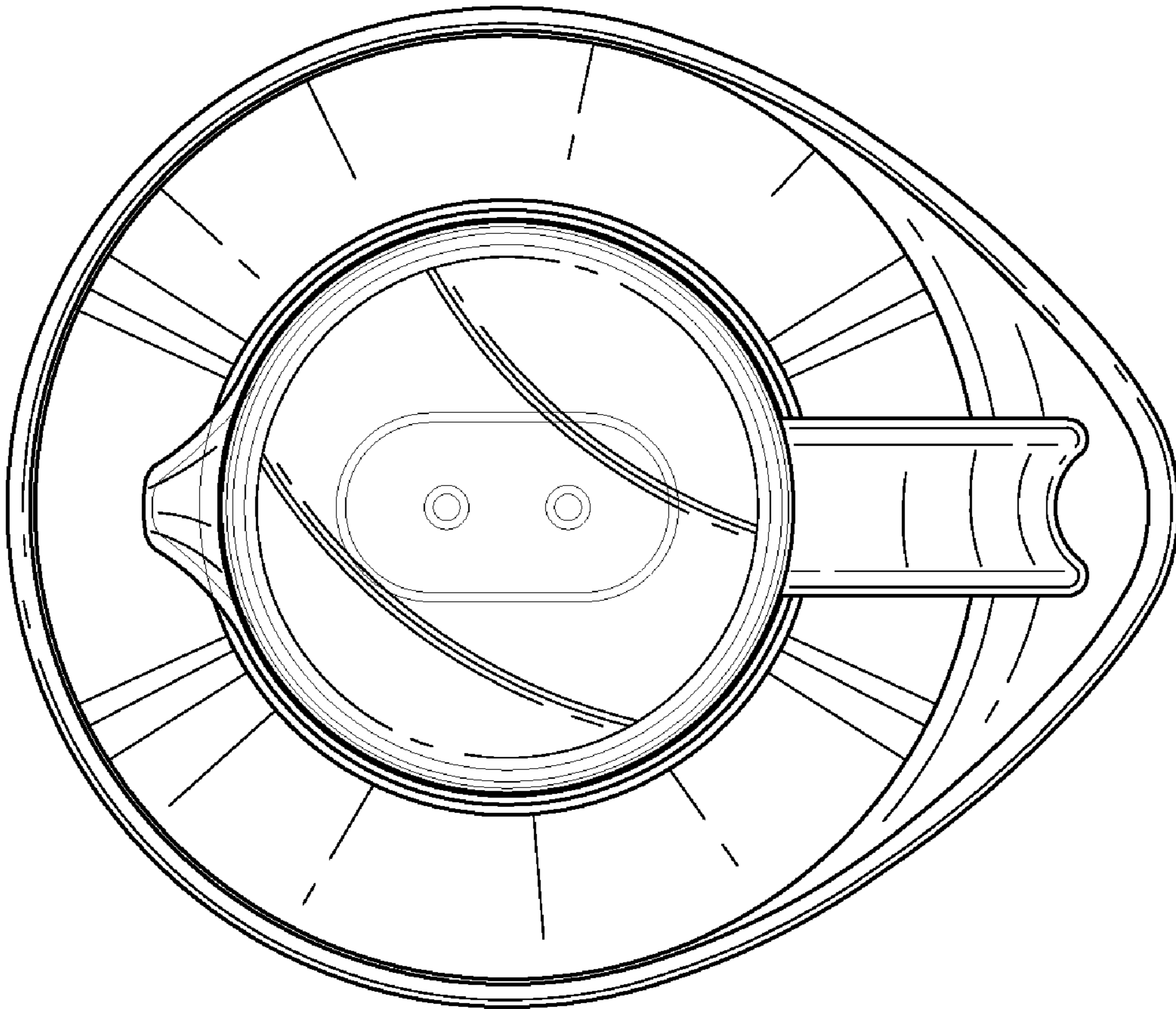


FIG. 7



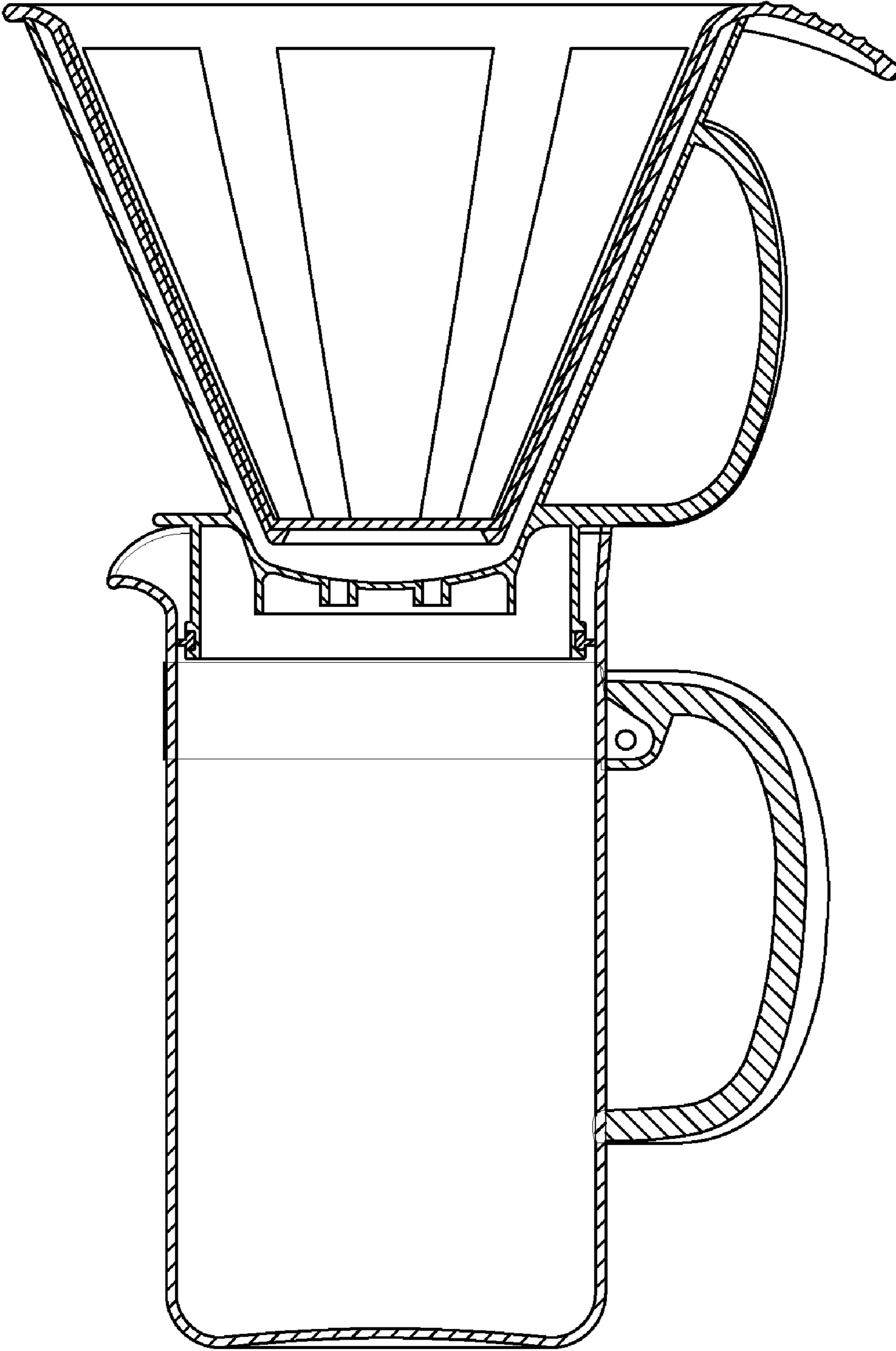


FIG. 8