



US00D585232S

(12) **United States Design Patent**
Bodum

(10) **Patent No.:** **US D585,232 S**

(45) **Date of Patent:** **** Jan. 27, 2009**

(54) **ICE TEA JUG**

(75) Inventor: **Jørgen Bodum**, Meggen (CH)

(73) Assignee: **Pi-Design, AG**, Triengen (CH)

(**) Term: **14 Years**

(21) Appl. No.: **29/297,220**

(22) Filed: **Nov. 7, 2007**

(30) **Foreign Application Priority Data**

May 7, 2007 (DK) DA 2007 00118

(51) **LOC (9) Cl.** **07-01**

(52) **U.S. Cl.** **D7/319; D7/317**

(58) **Field of Classification Search** D7/300-322,
D7/516, 533, 536; D23/207, 209; 99/297,
99/319; 210/282, 635; 222/164, 165, 465.1,
222/466

See application file for complete search history.

(56) **References Cited**

U.S. PATENT DOCUMENTS

D374,369 S * 10/1996 Wilkinson D7/317

* cited by examiner

Primary Examiner—Antoine D Davis
(74) *Attorney, Agent, or Firm*—Cowan, Liebowitz & Latman,
PC

(57) **CLAIM**

The ornamental design for an ice tea jug, as shown and described.

DESCRIPTION

FIG. 1 is a perspective view of the ice tea jug, showing my design thereof;

FIG. 2 is a front view thereof;

FIG. 3 is a back view thereof;

FIG. 4 is a right side view thereof;

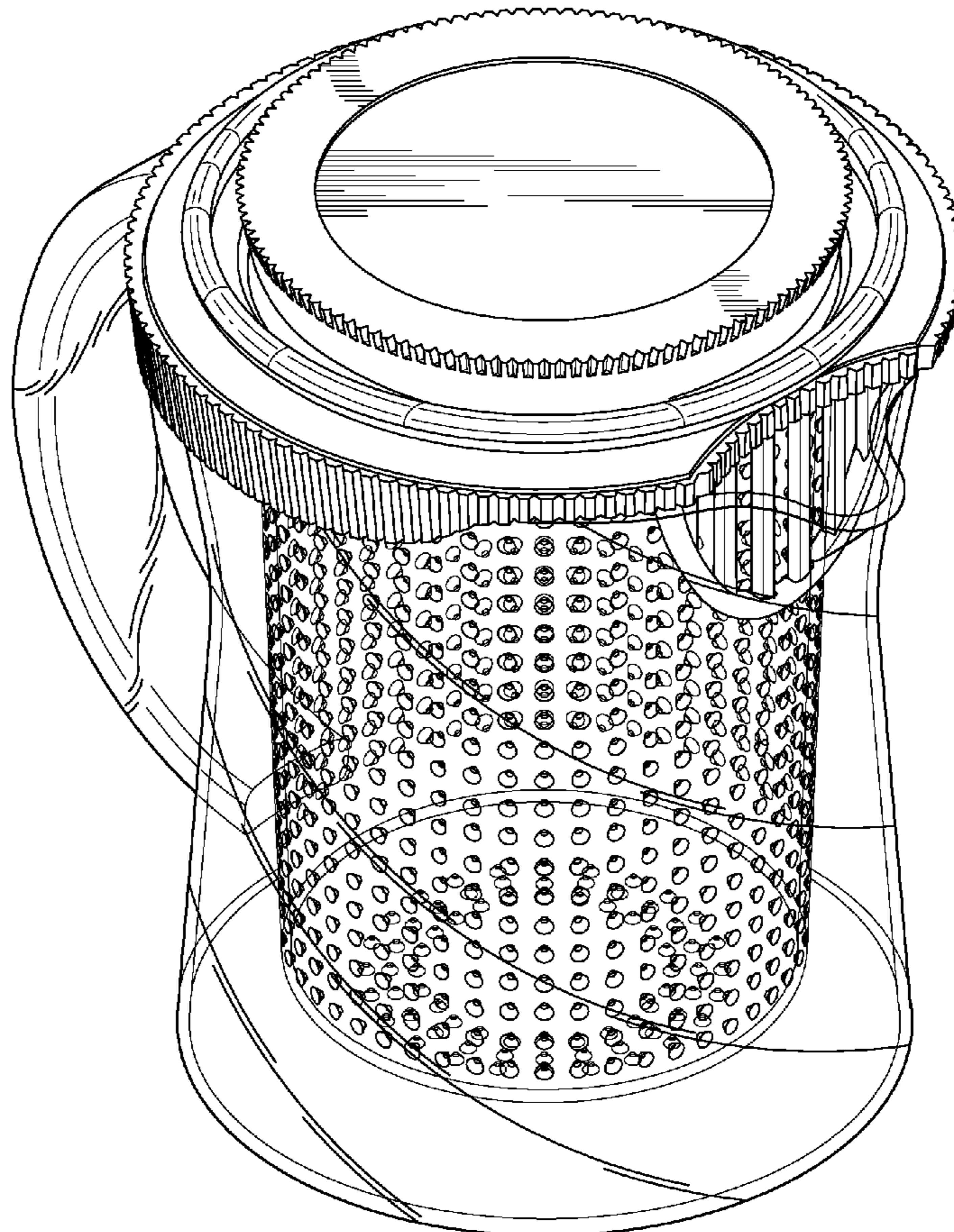
FIG. 5 is a left side view thereof;

FIG. 6 is a top view thereof;

FIG. 7 is a bottom view thereof; and,

FIG. 8 is a cross-sectional view thereof taken along line 8—8 of FIG. 6.

1 Claim, 8 Drawing Sheets



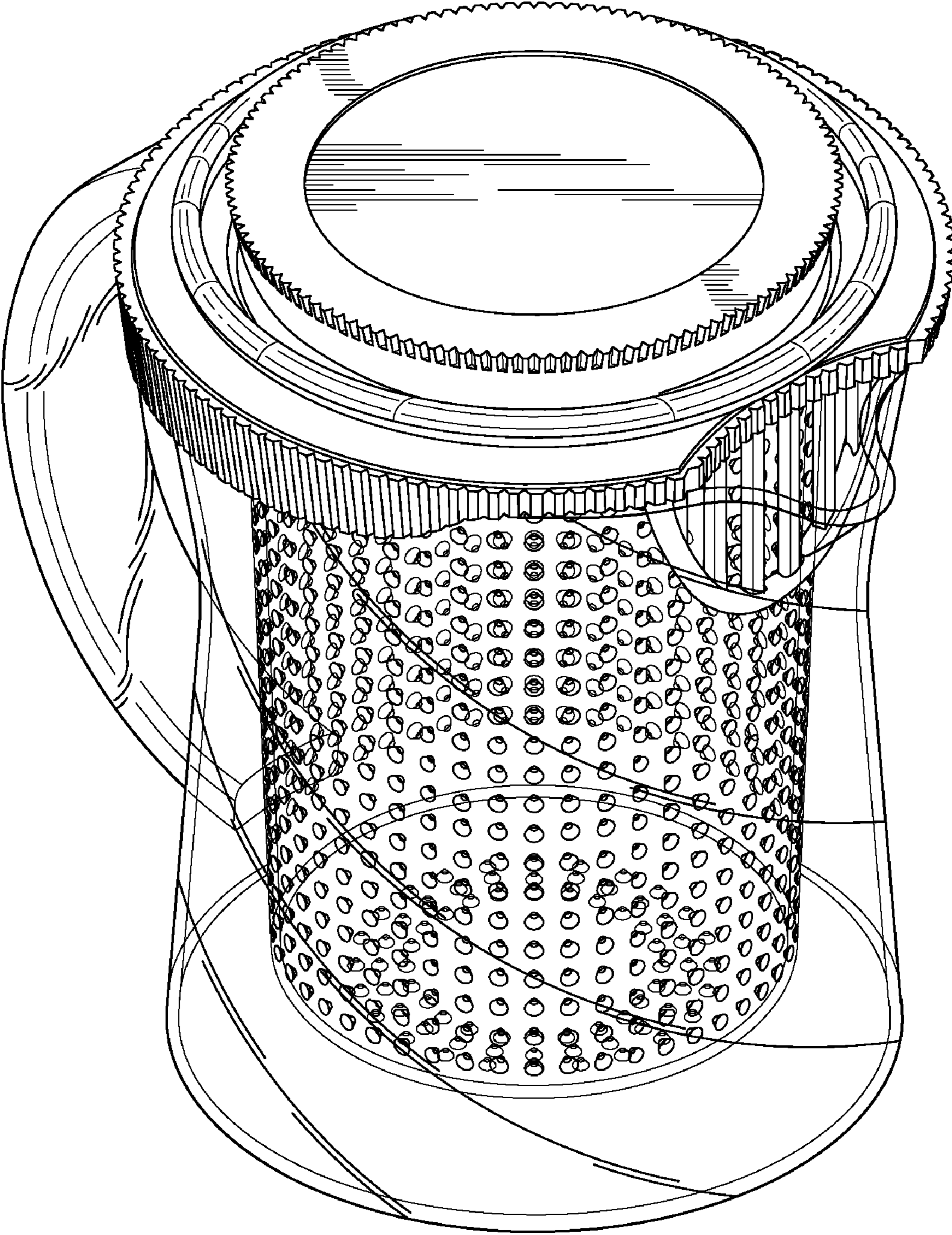


FIG. 1

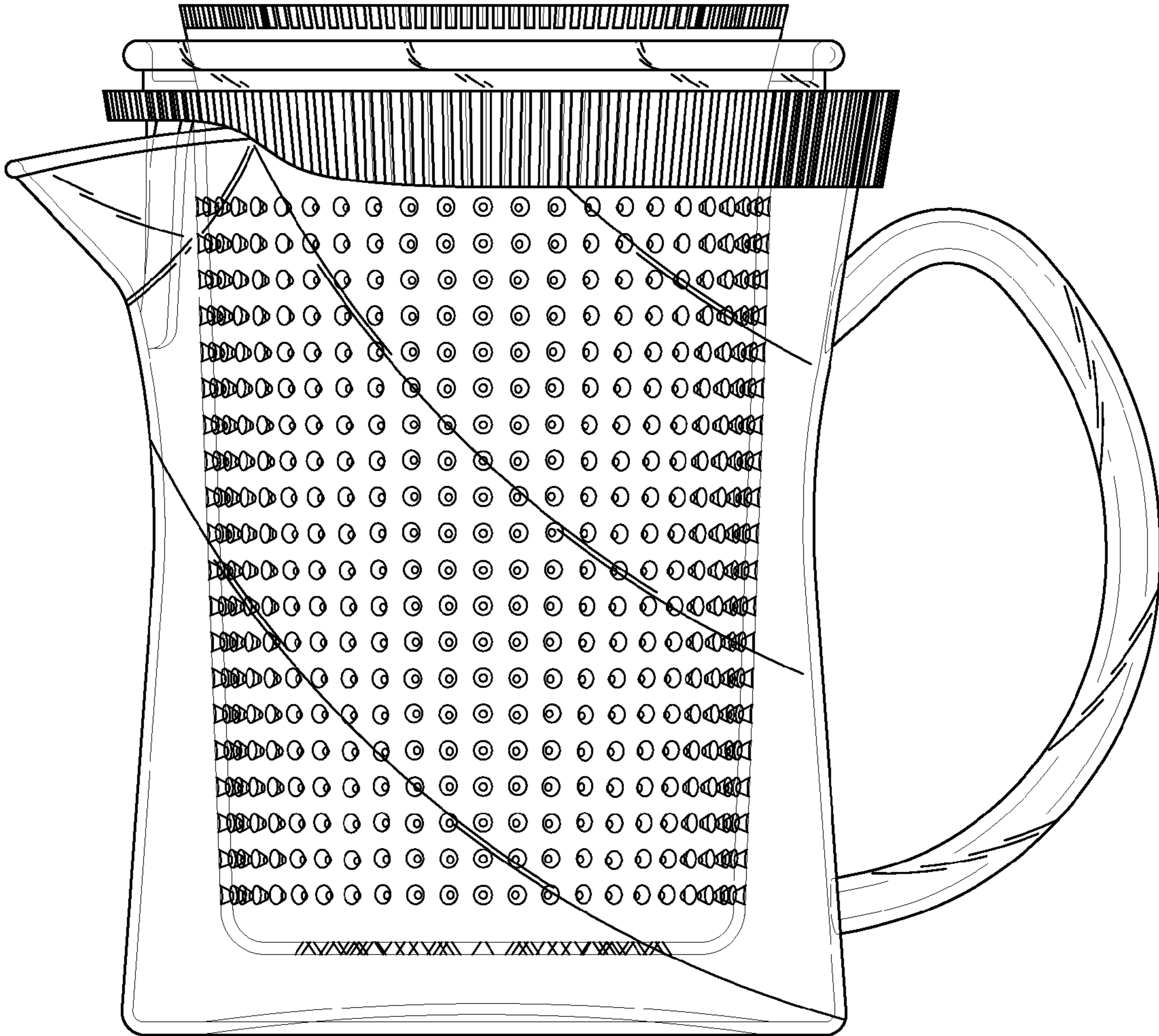


FIG. 2

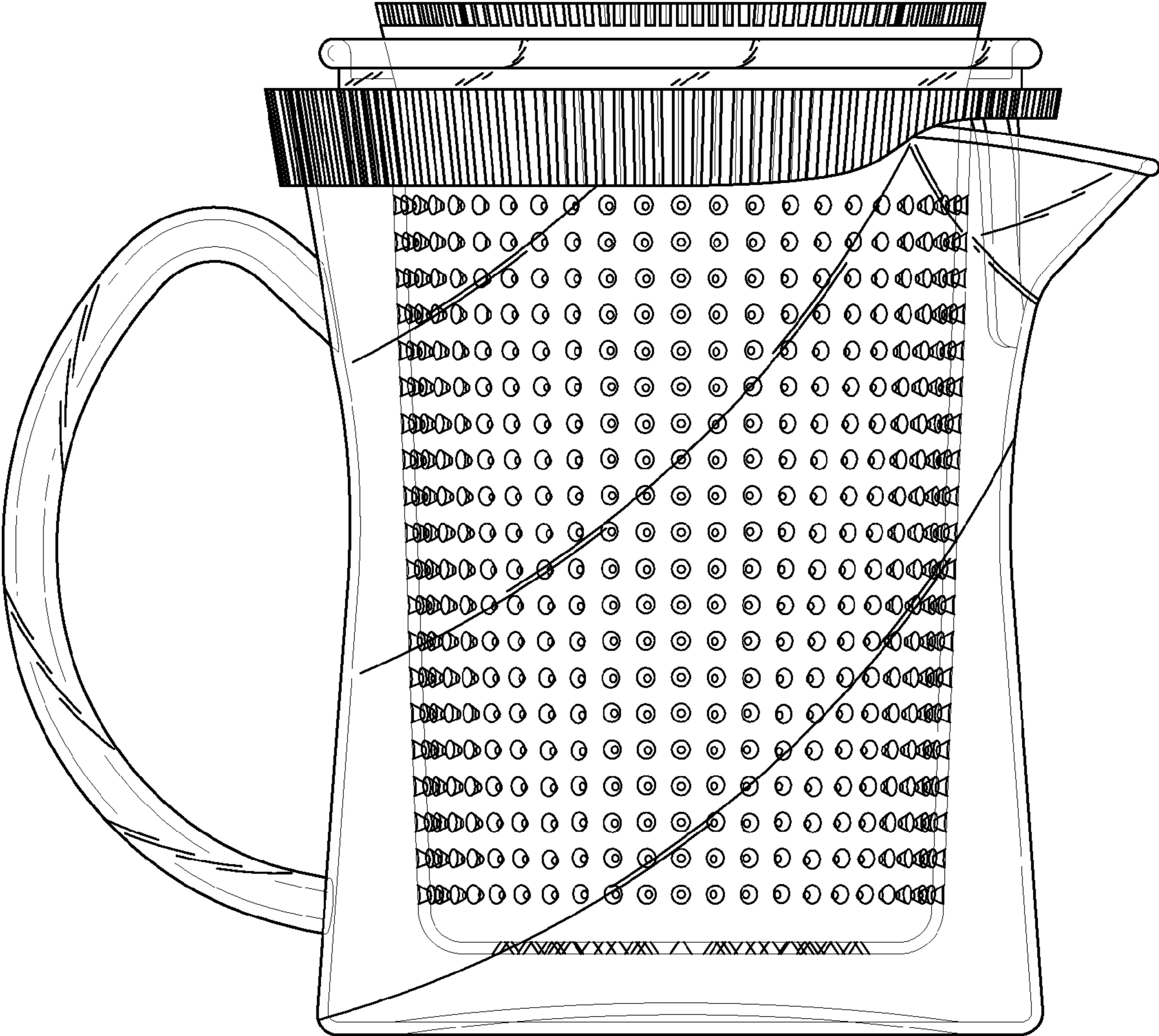


FIG. 3

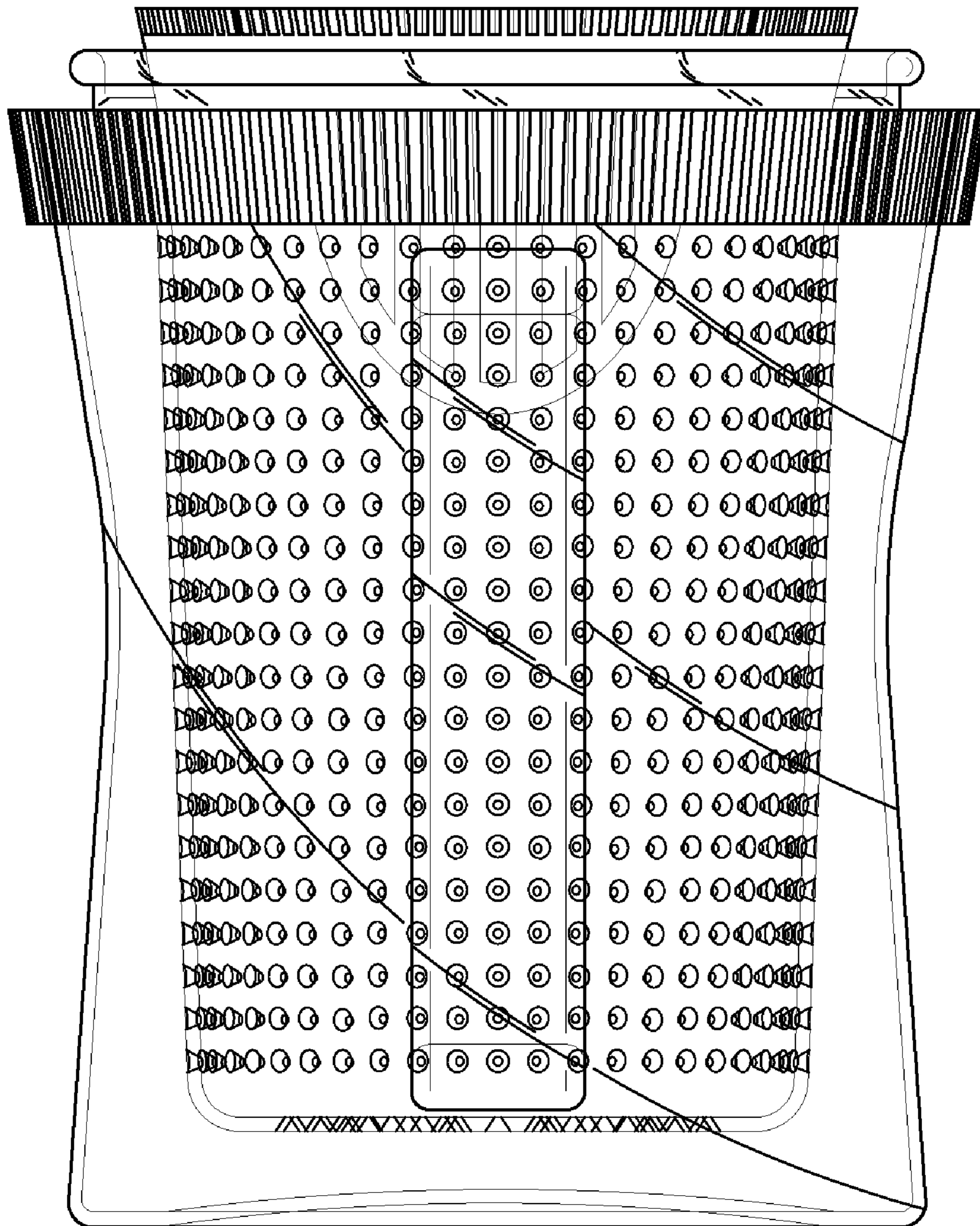


FIG. 4

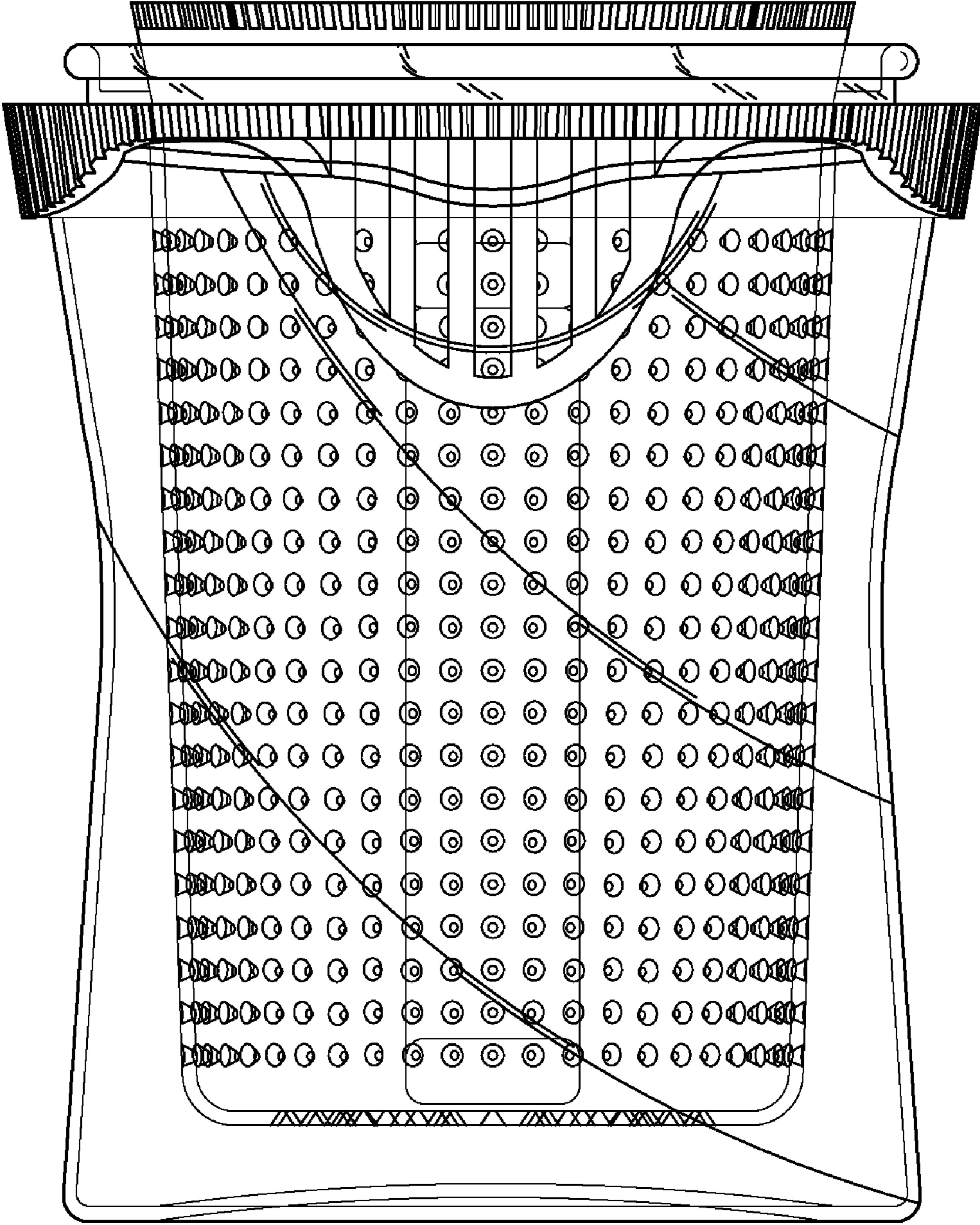


FIG. 5

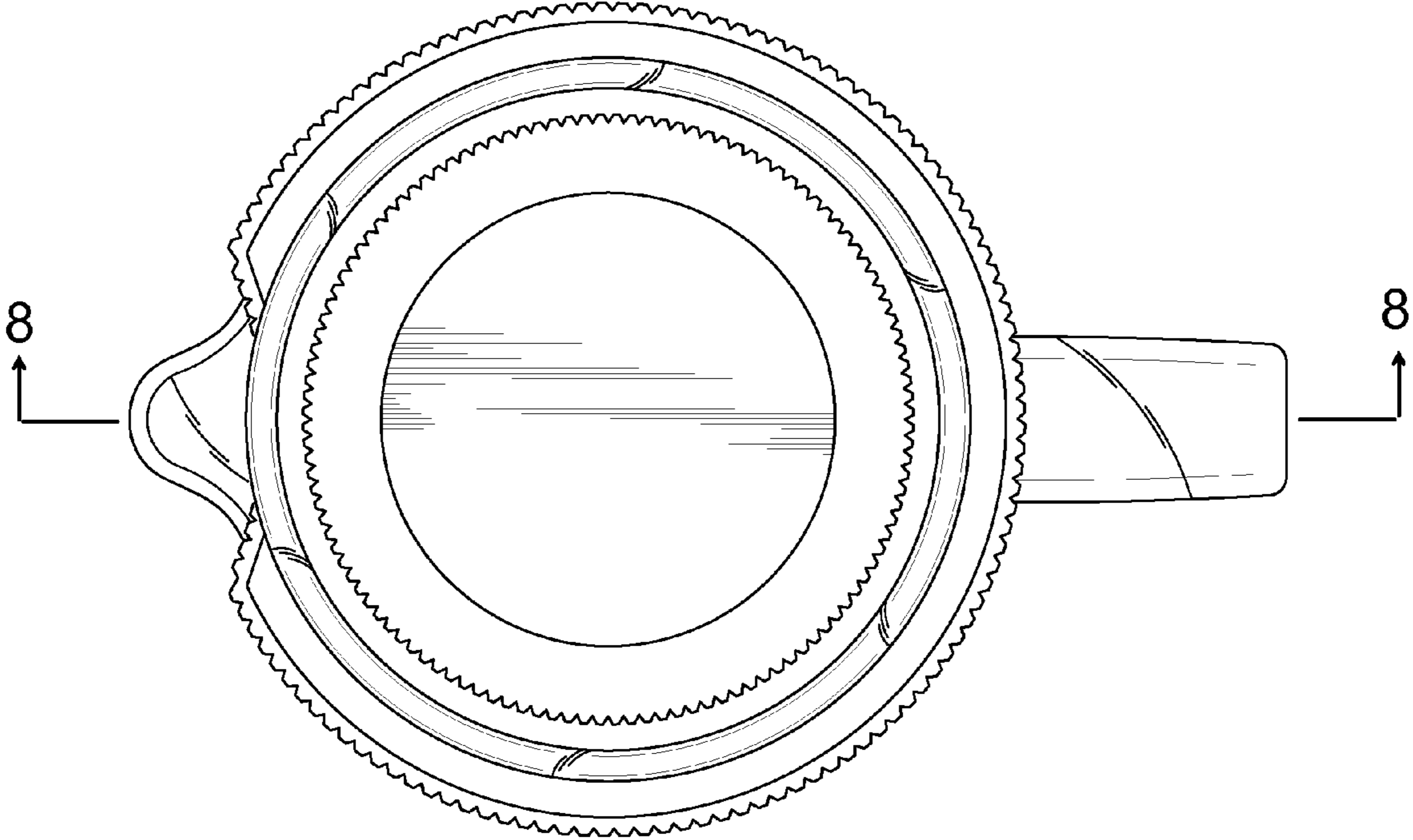


FIG. 6

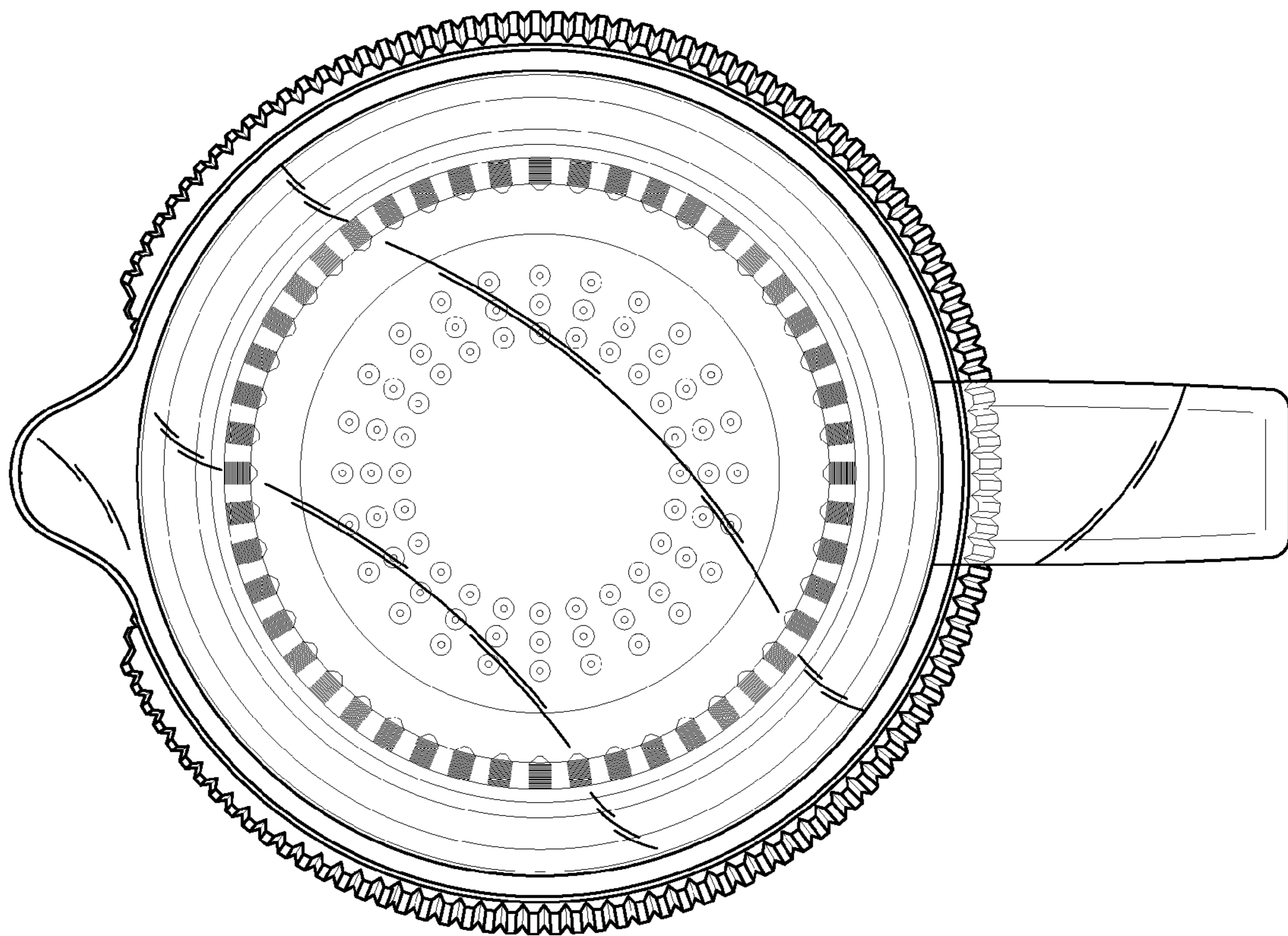


FIG. 7

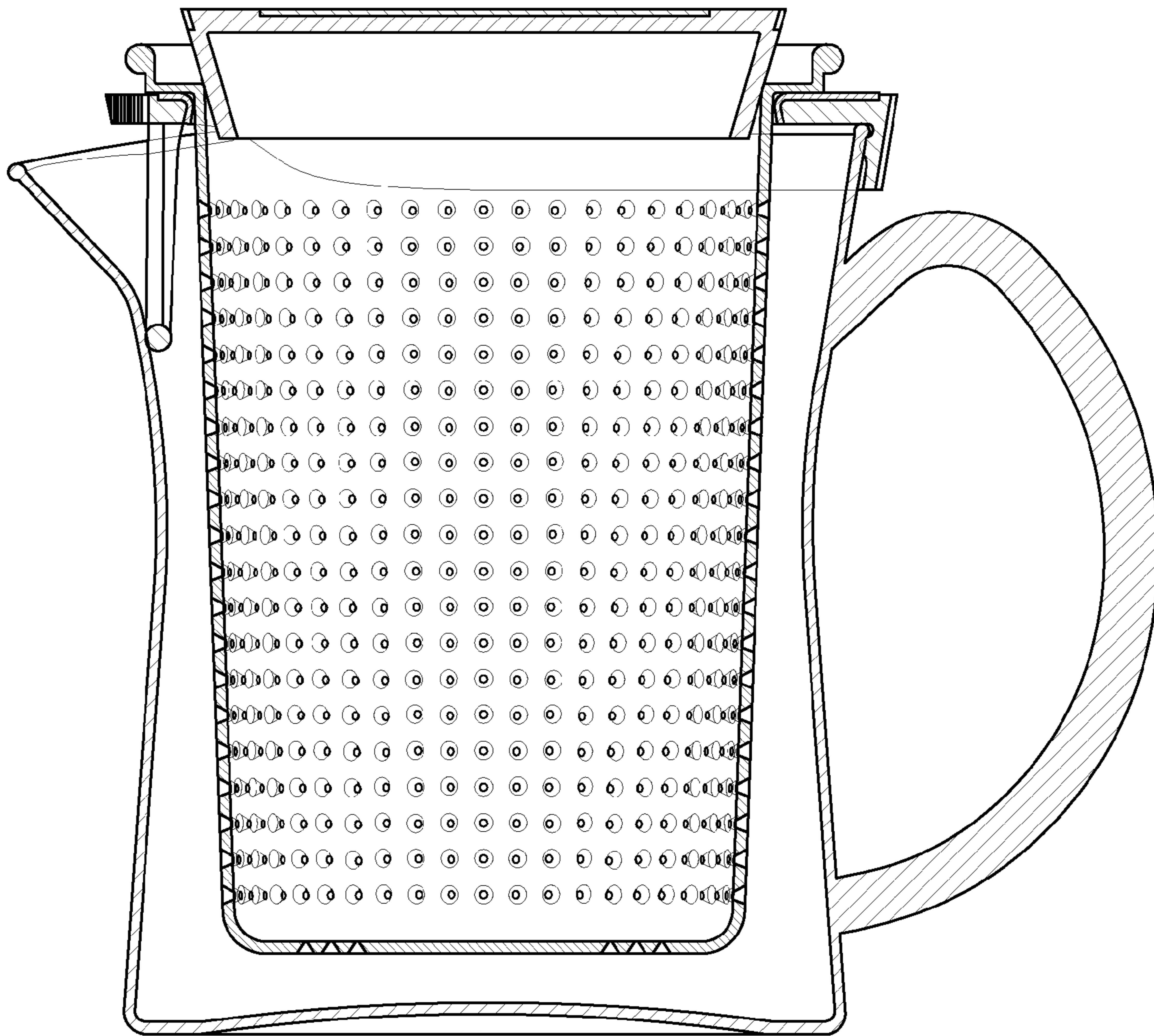


FIG. 8