



US00D585228S

(12) **United States Design Patent**  
**Sommerfield**

(10) **Patent No.:** **US D585,228 S**  
(45) **Date of Patent:** **\*\* Jan. 27, 2009**

(54) **WINE DISPENSER**

(75) Inventor: **Matthew A. Sommerfield**, Allentown, PA (US)

(73) Assignee: **Wine Gadgets, LLC**, Allentown, PA (US)

(\*\*) Term: **14 Years**

(21) Appl. No.: **29/273,263**

(22) Filed: **Mar. 2, 2007**

(51) **LOC (9) Cl.** ..... **07-01**

(52) **U.S. Cl.** ..... **D7/307; D7/308**

(58) **Field of Classification Search** ..... D7/309–311, D7/306–308, 300, 397–399; 99/280, 286, 99/305, 306, 295, 279, 299, 285; D20/1, D20/4, 5; 222/108, 1, 152, 190, 399; D15/79  
See application file for complete search history.

5,390,832 A	2/1995	Lombardo	
5,565,149 A	10/1996	Page et al.	
5,979,713 A	11/1999	Grill	
6,607,100 B2	8/2003	Phelps et al.	
D484,354 S *	12/2003	McDougall et al.	..... D7/307
D487,215 S *	3/2004	Watkins	..... D7/397
6,913,167 B2	7/2005	Phelps et al.	
7,004,355 B1 *	2/2006	Crisp et al.	..... 222/129.4
D555,412 S *	11/2007	Van Elk et al.	..... D7/309
2003/0213814 A1	11/2003	Phelps et al.	
2005/0103804 A1	5/2005	Waters	
2005/0150549 A1	7/2005	Gosi et al.	

**FOREIGN PATENT DOCUMENTS**

EP	0930267	7/1999
WO	WO03/084860	10/2003
WO	WO2005/040035	5/2005

\* cited by examiner

*Primary Examiner*—Marianne Pandozzi  
(74) *Attorney, Agent, or Firm*—Weish & Flaxman LLC

(56) **References Cited**

**U.S. PATENT DOCUMENTS**

D146,649 S *	4/1947	Fossum	..... D28/80
D187,413 S *	3/1960	Marsh et al.	..... D7/308
D187,414 S *	3/1960	Marsh et al.	..... D7/308
D226,994 S *	5/1973	Bradley	..... D7/308
D230,902 S *	3/1974	Fogel	..... D7/308
D231,502 S *	4/1974	Allard	..... D7/308
3,883,043 A	5/1975	Lane	
3,976,222 A	8/1976	Spagnolo	
4,304,341 A *	12/1981	Shirley	..... 222/131
4,473,174 A	9/1984	Heuser	
4,595,121 A	6/1986	Schultz	
4,624,391 A	11/1986	Shannon	
4,702,396 A	10/1987	Gwiazda	
4,706,847 A	11/1987	Sankey et al.	
4,856,680 A	8/1989	Sitton	
4,932,561 A	6/1990	Boxall	
4,984,711 A	1/1991	Ellis	
5,349,993 A	9/1994	Casey	

(57) **CLAIM**

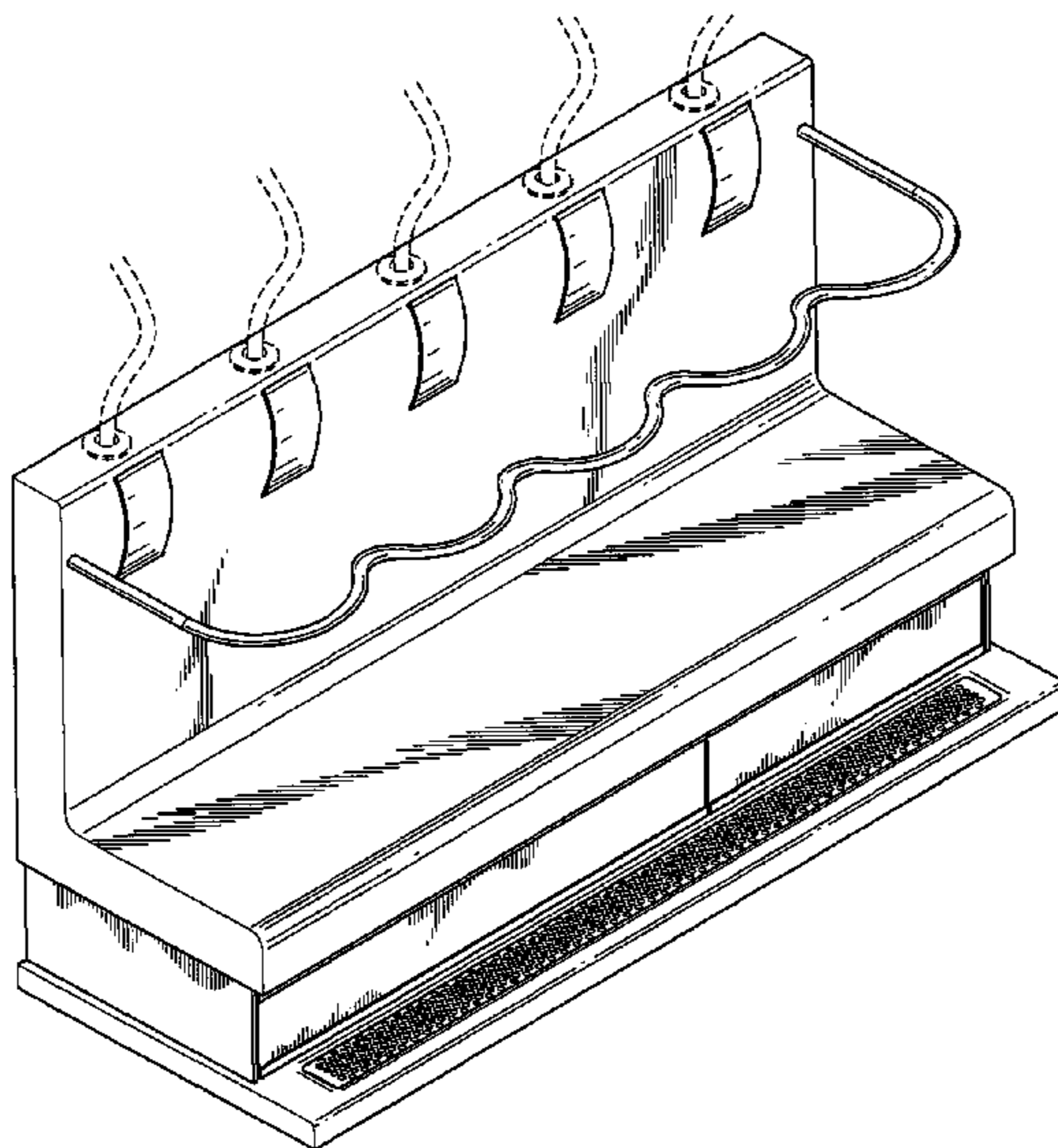
The ornamental design for a wine dispenser, as shown and described.

**DESCRIPTION**

FIG. 1 is a front perspective view showing our my design.  
FIG. 2 is a side view.  
FIG. 3 is a front plan view.  
FIG. 4 is a top plan view.  
FIG. 5 is a rear plan view; and,  
FIG. 6 is a bottom plan view.

The broken lines in the drawings are included for the purpose of illustrating environmental structure and form no part of the claimed design.

**1 Claim, 3 Drawing Sheets**



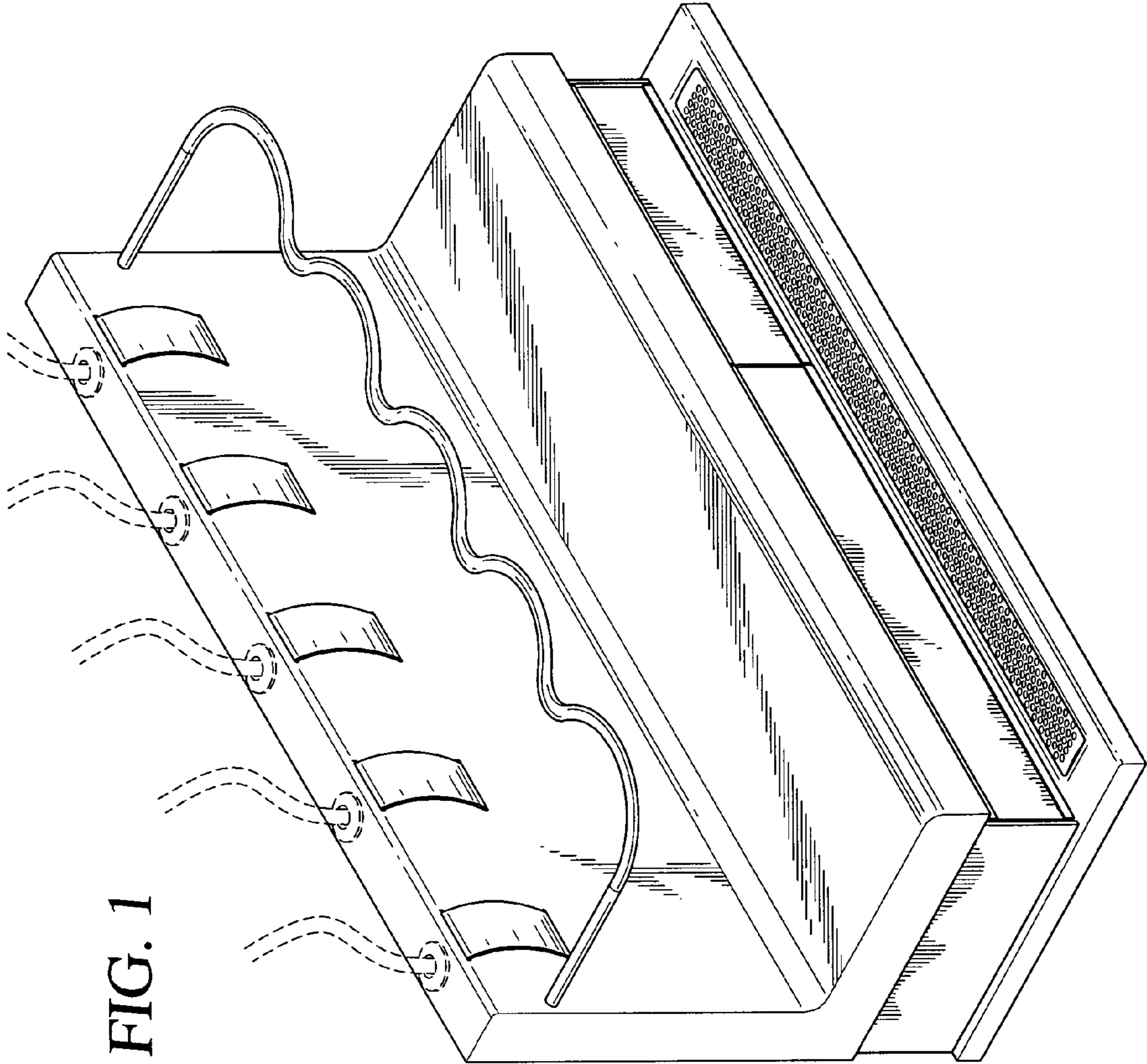


FIG. 1

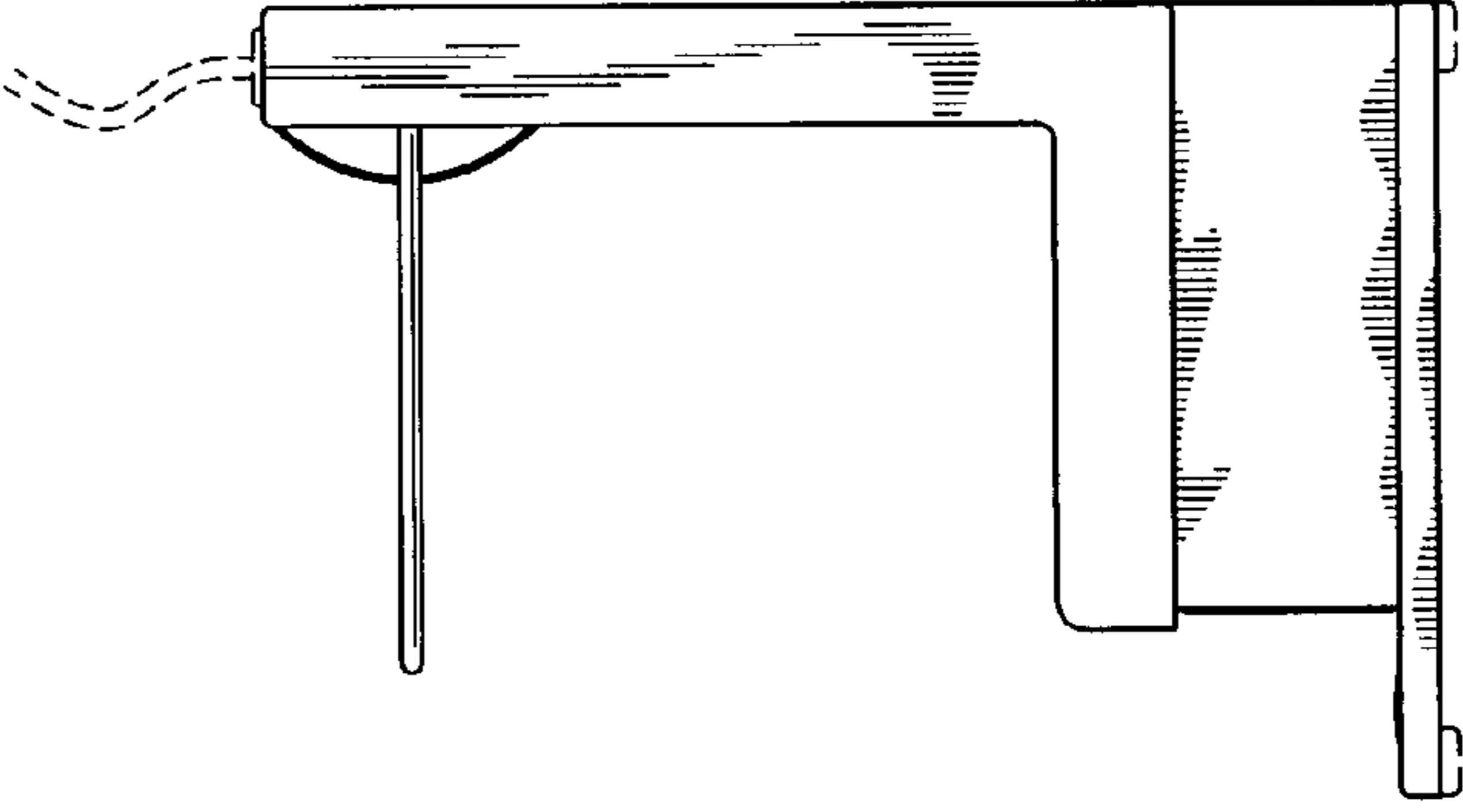


FIG. 2

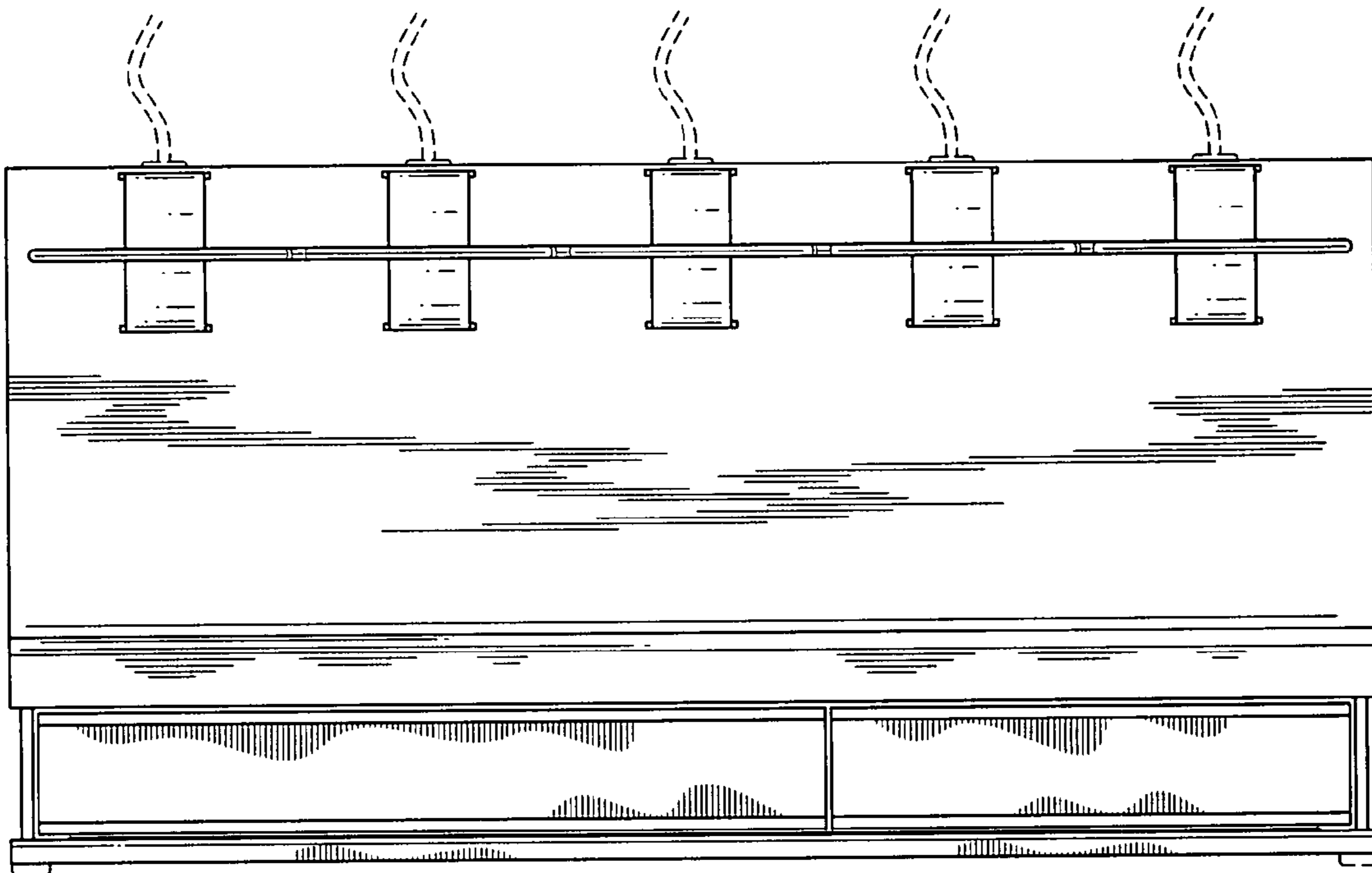


FIG. 3

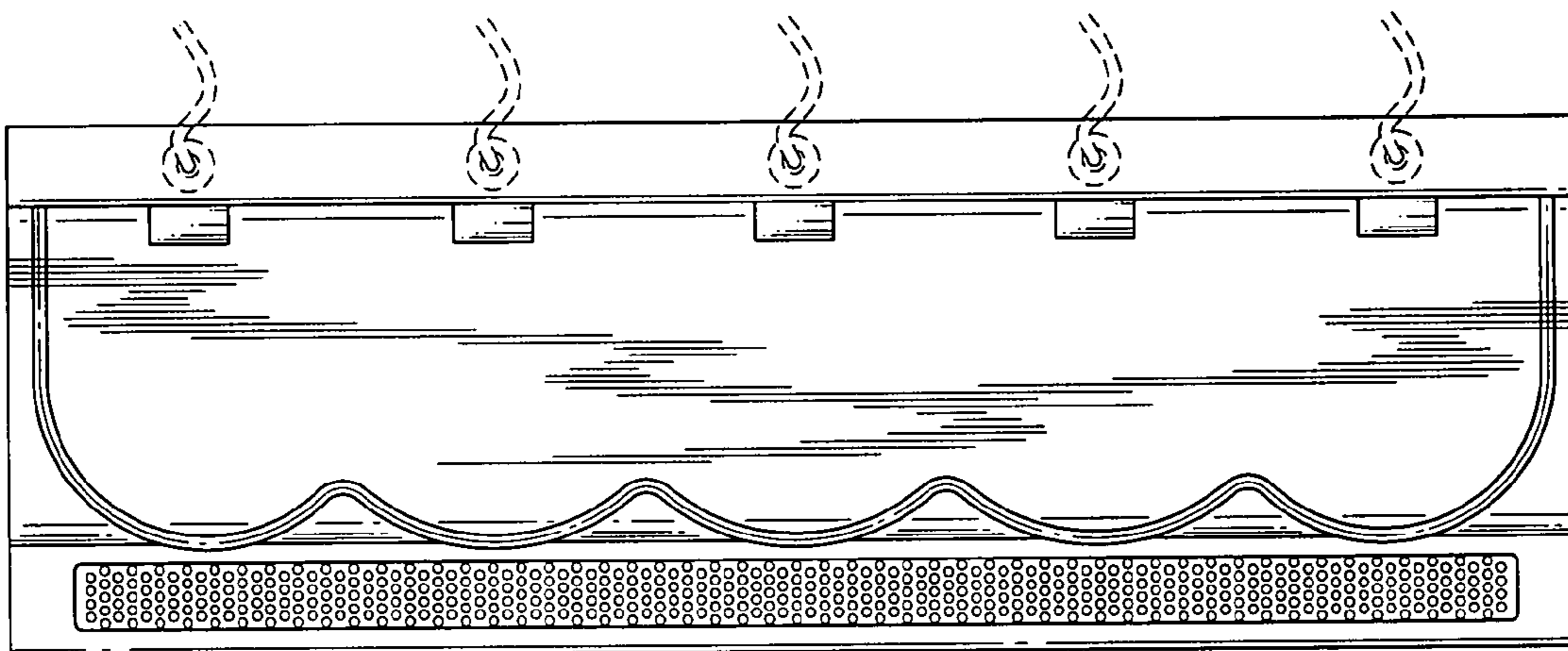


FIG. 4

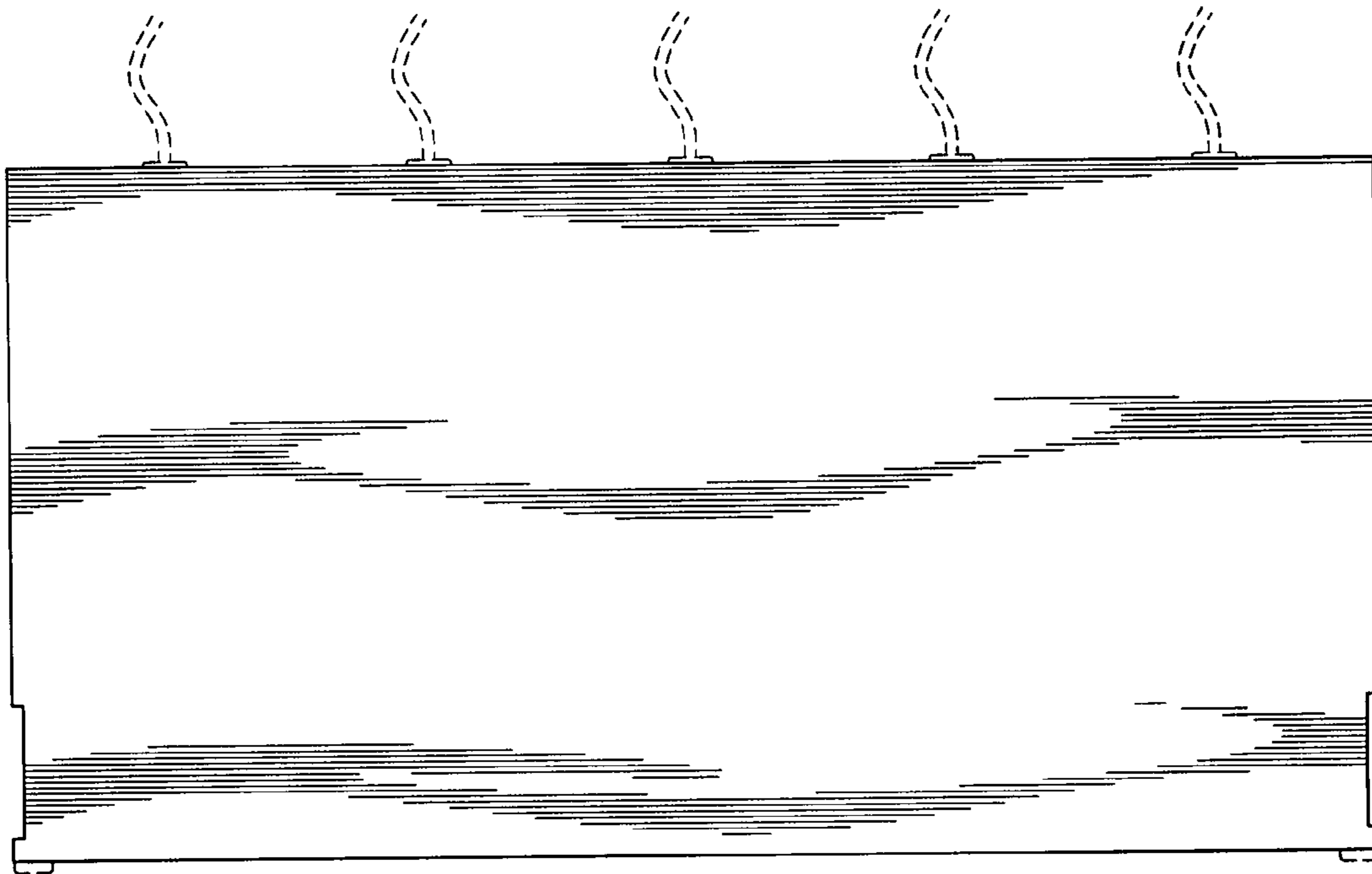


FIG. 5

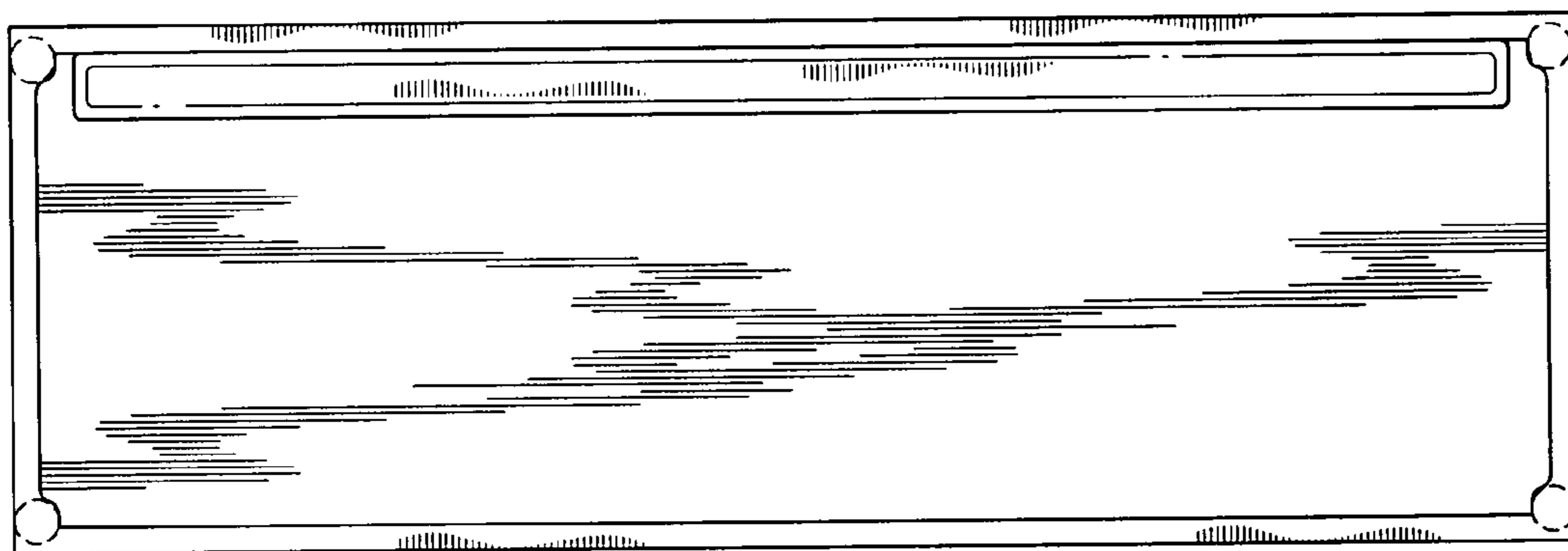


FIG. 6