



US00D585227S

(12) **United States Design Patent**
Kaczmarczyk, Jr.

(10) **Patent No.:** **US D585,227 S**
(45) **Date of Patent:** **** Jan. 27, 2009**

(54) **KICKSTAND SUPPORT PAD**

(75) Inventor: **Gerald R. Kaczmarczyk, Jr.**, Clio, MI (US)

(73) Assignee: **Synergy Plastics Systems, Corp.**, Mt. Morris, MI (US)

(**) Term: **14 Years**

(21) Appl. No.: **29/322,823**

(22) Filed: **Aug. 13, 2008**

(51) **LOC (9) Cl.** **06-11**

(52) **U.S. Cl.** **D6/582**

(58) **Field of Classification Search** D6/582,
D6/583, 585, 588, 592; D12/114, 115, 120;
280/288.4, 293, 301, 295, 304, 763.1; 248/346.01,
248/346.03, 346.05, 915; D23/260, 261;
D9/439

See application file for complete search history.

(56) **References Cited**

U.S. PATENT DOCUMENTS

4,521,031 A * 6/1985 Huth 280/293
D353,070 S * 12/1994 Hilton et al. D6/582
D378,205 S * 2/1997 Hiltz, Jr. D12/120
D396,435 S * 7/1998 Favereaux, Sr. D12/120
6,340,166 B1 * 1/2002 Rethman et al. 280/293
D485,110 S * 1/2004 Theorin D6/582

D493,655 S * 8/2004 DeFelice D6/582
D530,649 S * 10/2006 Hoskins D12/120
D532,341 S * 11/2006 Thomson D12/120
D560,945 S * 2/2008 Holmes et al. D6/582
D563,837 S * 3/2008 Irwin et al. D12/120
2004/0262880 A1 * 12/2004 McClure 280/293

* cited by examiner

Primary Examiner—Robert M Spear
Assistant Examiner—Barbara B Lohr

(57) **CLAIM**

I claim the ornamental design for a kickstand support pad, as shown and described.

DESCRIPTION

FIG. 1 is a perspective view of the kickstand support pad according to the present design;

FIG. 2 is a top view of the present design;

FIG. 3 is a bottom view of the present design;

FIG. 4 is a front view of the present design;

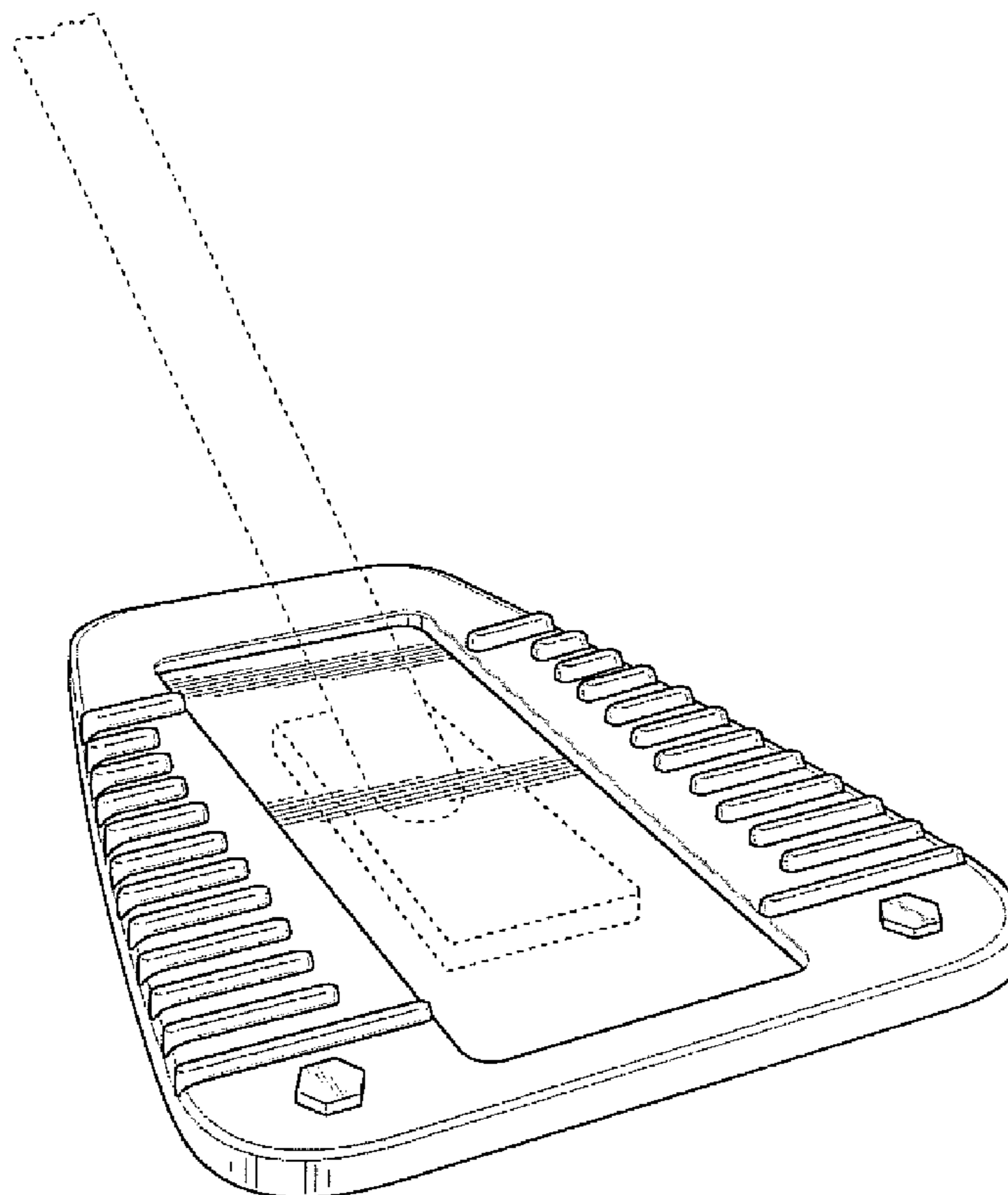
FIG. 5 is a rear view of the present design;

FIG. 6 is a left side view of the present design; and,

FIG. 7 is a right side view of the present design.

The broken lines in the drawings represent unclaimed environmental subject matter.

1 Claim, 3 Drawing Sheets



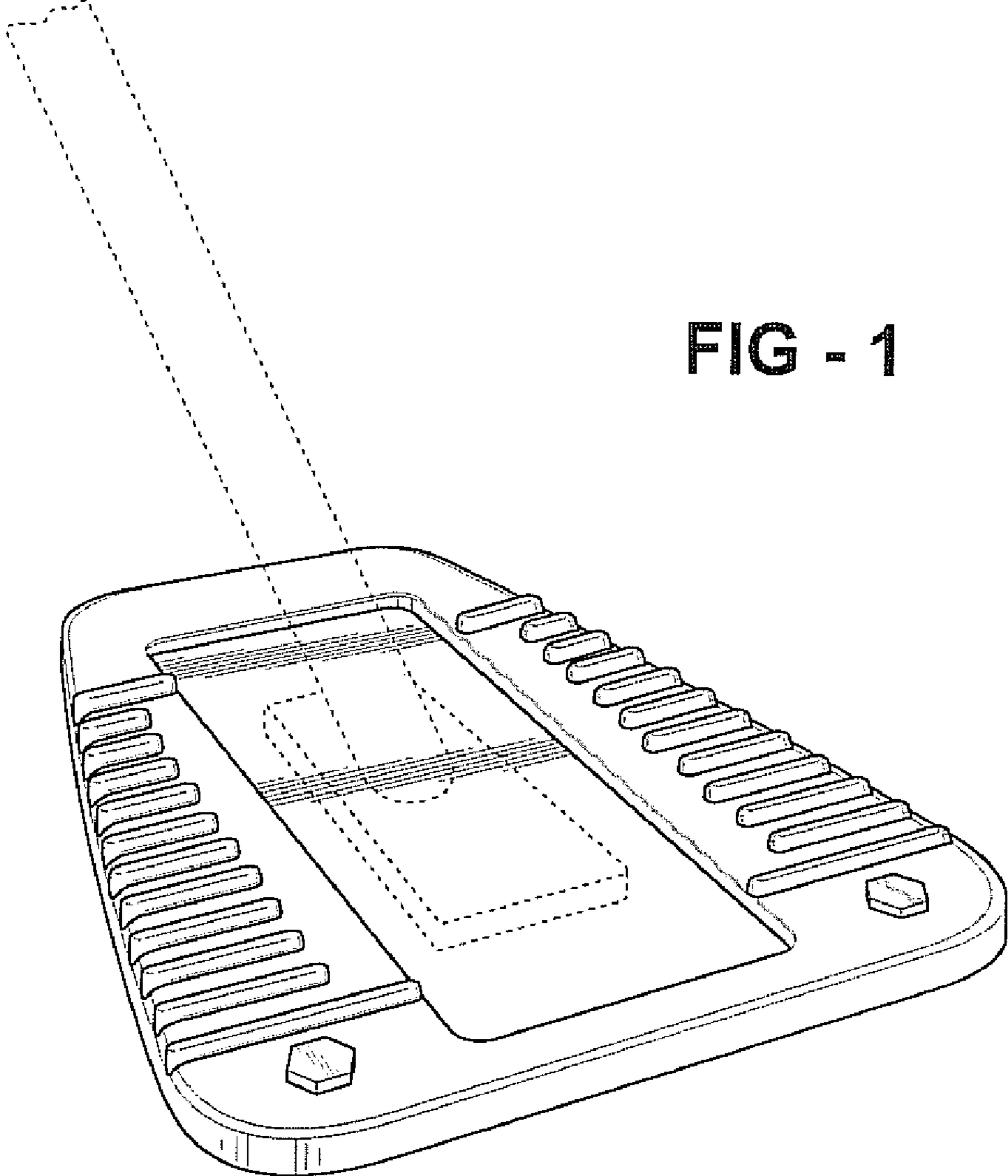


FIG - 1

FIG - 2

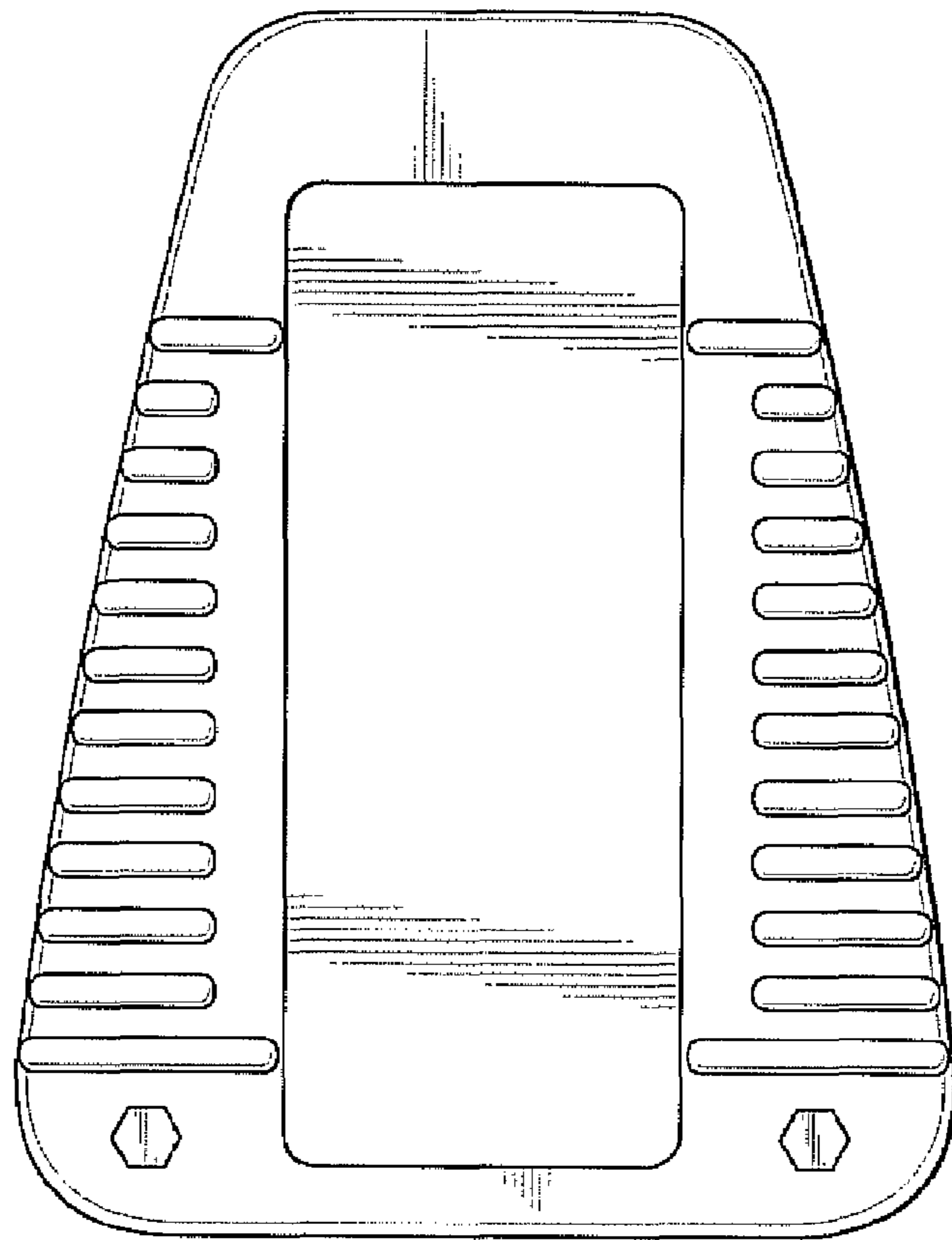
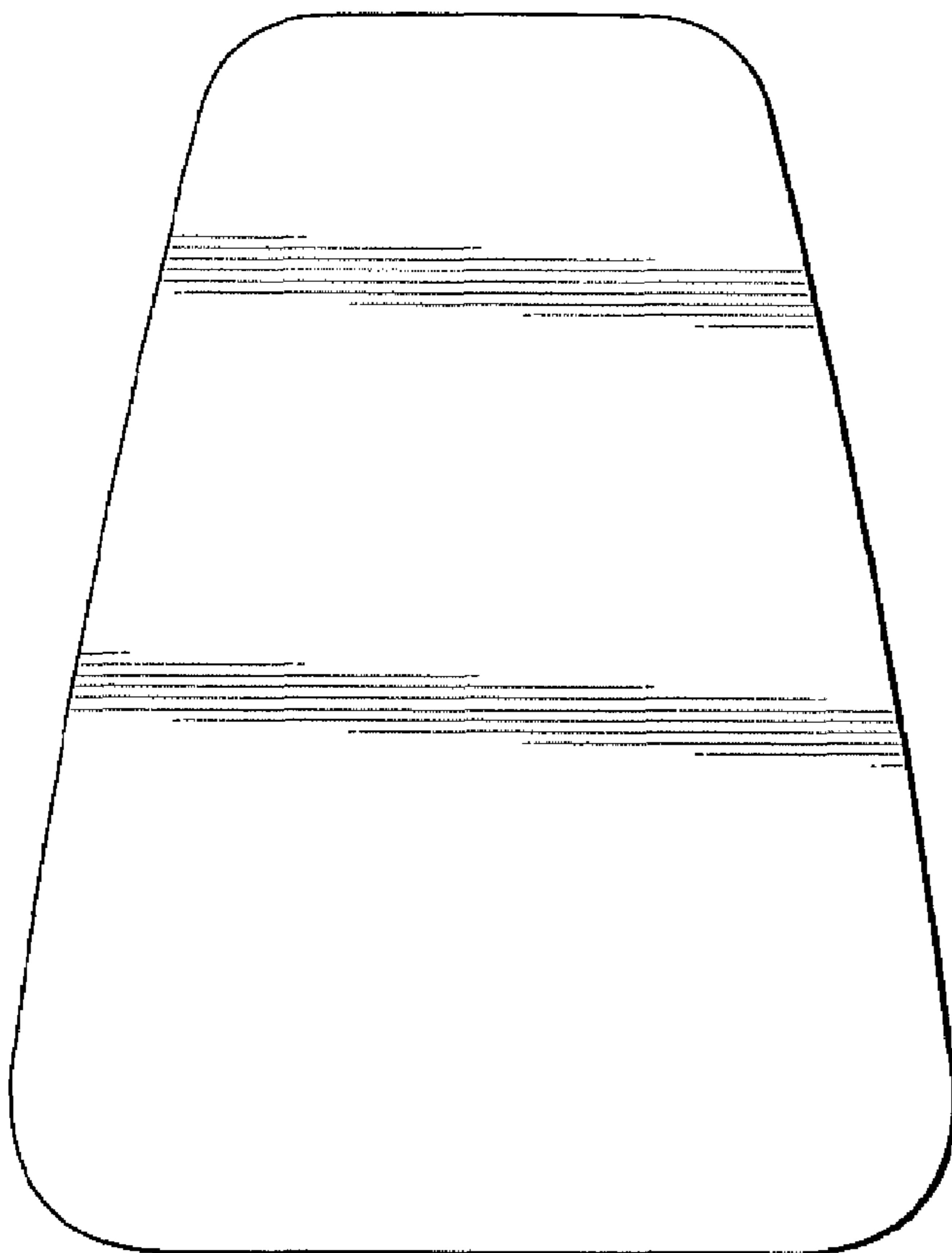


FIG - 3



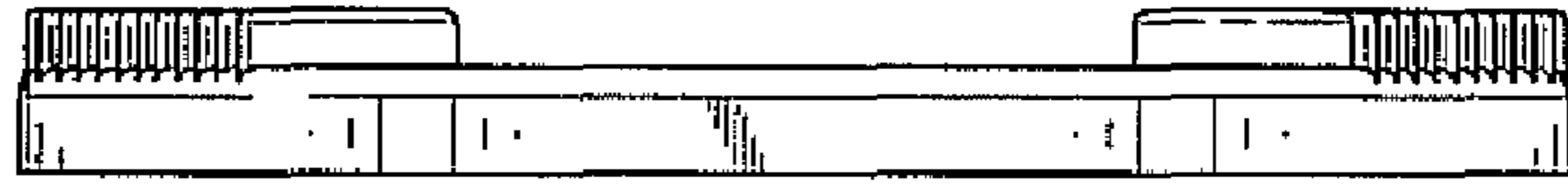


FIG - 4

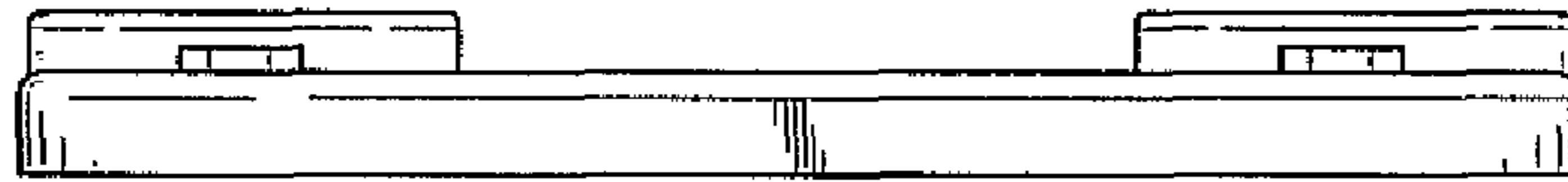


FIG - 5

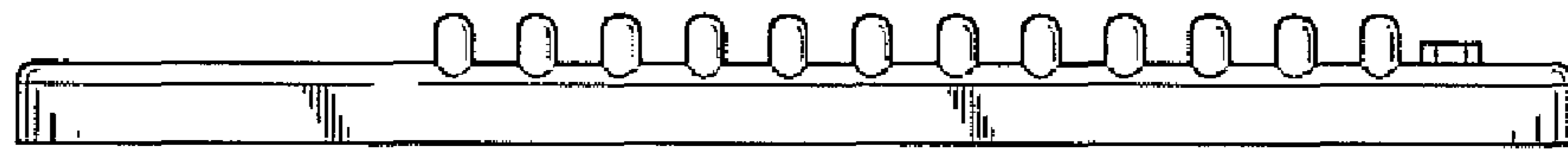


FIG - 6



FIG - 7