



US00D585222S

(12) **United States Design Patent**
Zhang

(10) **Patent No.:** **US D585,222 S**

(45) **Date of Patent:** **** Jan. 27, 2009**

(54) **ARCHED ARMREST**

(75) Inventor: **Wei Qiang Zhang**, FoShan (CN)

(73) Assignee: **IGO Furniture (Foshan) Ltd.** (CN)

(**) Term: **14 Years**

(21) Appl. No.: **29/318,647**

(22) Filed: **May 23, 2008**

(30) **Foreign Application Priority Data**

Jan. 25, 2008 (CN) 2008 3 0040778

(51) **LOC (9) Cl.** **06-01**

(52) **U.S. Cl.** **D6/501**

(58) **Field of Classification Search** D6/334,
D6/364-367, 379, 491, 500-502; 297/411.2,
297/411.27, 411.28, 411.29, 411.37, 463.1
See application file for complete search history.

(56) **References Cited**

U.S. PATENT DOCUMENTS

D403,185 S *	12/1998	Tseng	D6/501
D439,081 S *	3/2001	Goodworth	D6/501
D451,319 S *	12/2001	Chi	D6/501
D451,321 S *	12/2001	Chi	D6/501
D463,176 S *	9/2002	Chi	D6/501
D491,400 S *	6/2004	Fu	D6/501
D500,614 S *	1/2005	Chen	D6/501
D535,129 S *	1/2007	Chen	D6/501
D538,079 S *	3/2007	Grove et al.	D6/501
D539,573 S *	4/2007	McDiarmid et al.	D6/501

D543,387 S *	5/2007	Smith	D6/501
D561,503 S *	2/2008	Grove	D6/501
D566,438 S *	4/2008	Tsai	D6/501

* cited by examiner

Primary Examiner—Caron Veynar

Assistant Examiner—Abraham Bahta

(74) *Attorney, Agent, or Firm*—Mark G. Pannell; Hanes & Schutz, LLC

(57) **CLAIM**

The ornamental design for an arched armrest, as shown and described.

DESCRIPTION

FIG. 1 is a perspective view of the arched armrest showing my new design;

FIG. 2 is a front view thereof;

FIG. 3 is a top view thereof;

FIG. 4 is a bottom view thereof;

FIG. 5 is a rear side view thereof;

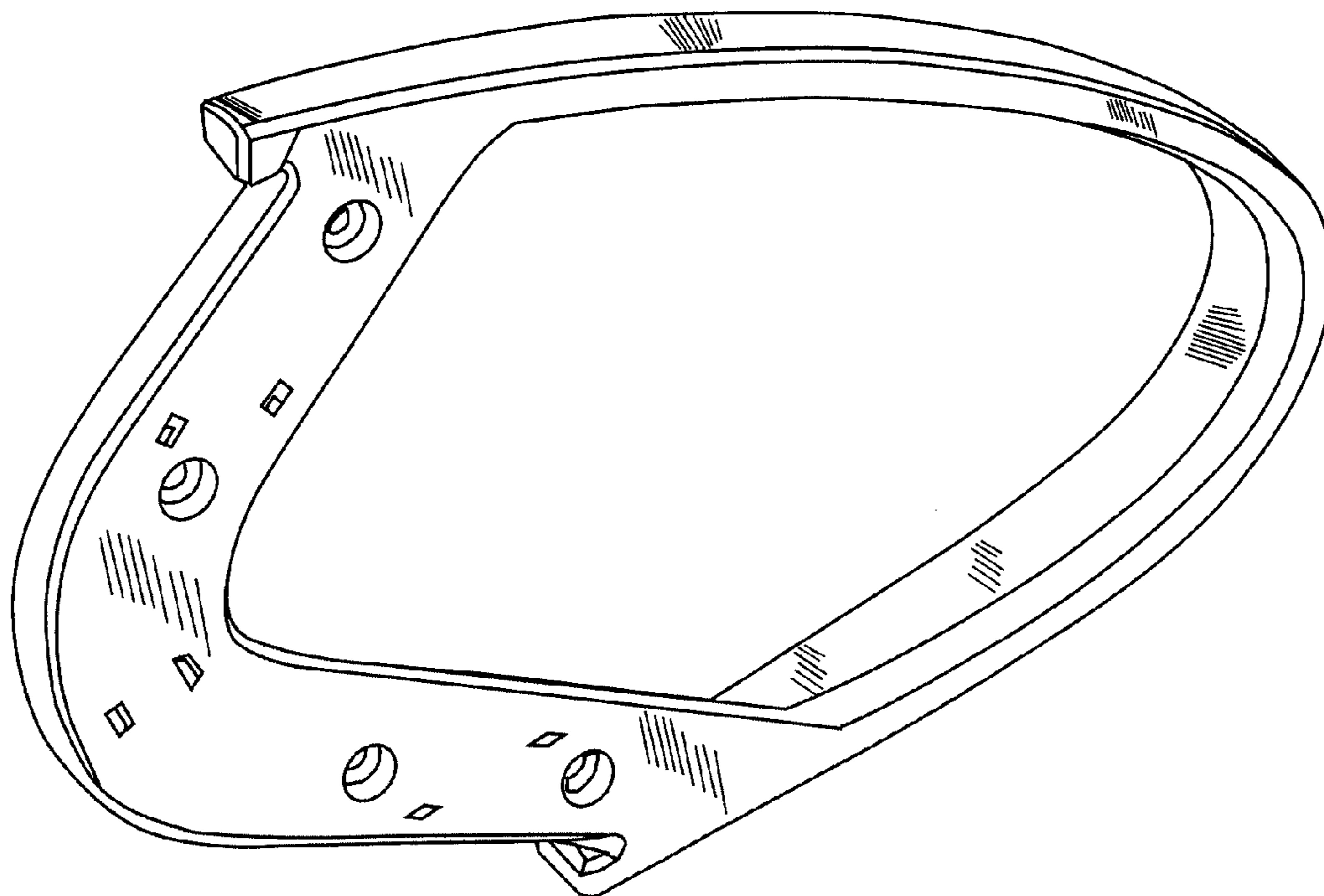
FIG. 6 is a right side view thereof;

FIG. 7 is a left side view thereof; and,

FIG. 8 is an isometric view illustrating the position of the arched armrest on a chair.

The broken line showing of a chair is included for the purpose of illustrating the environmental structure and forms no part of the claimed design.

1 Claim, 8 Drawing Sheets



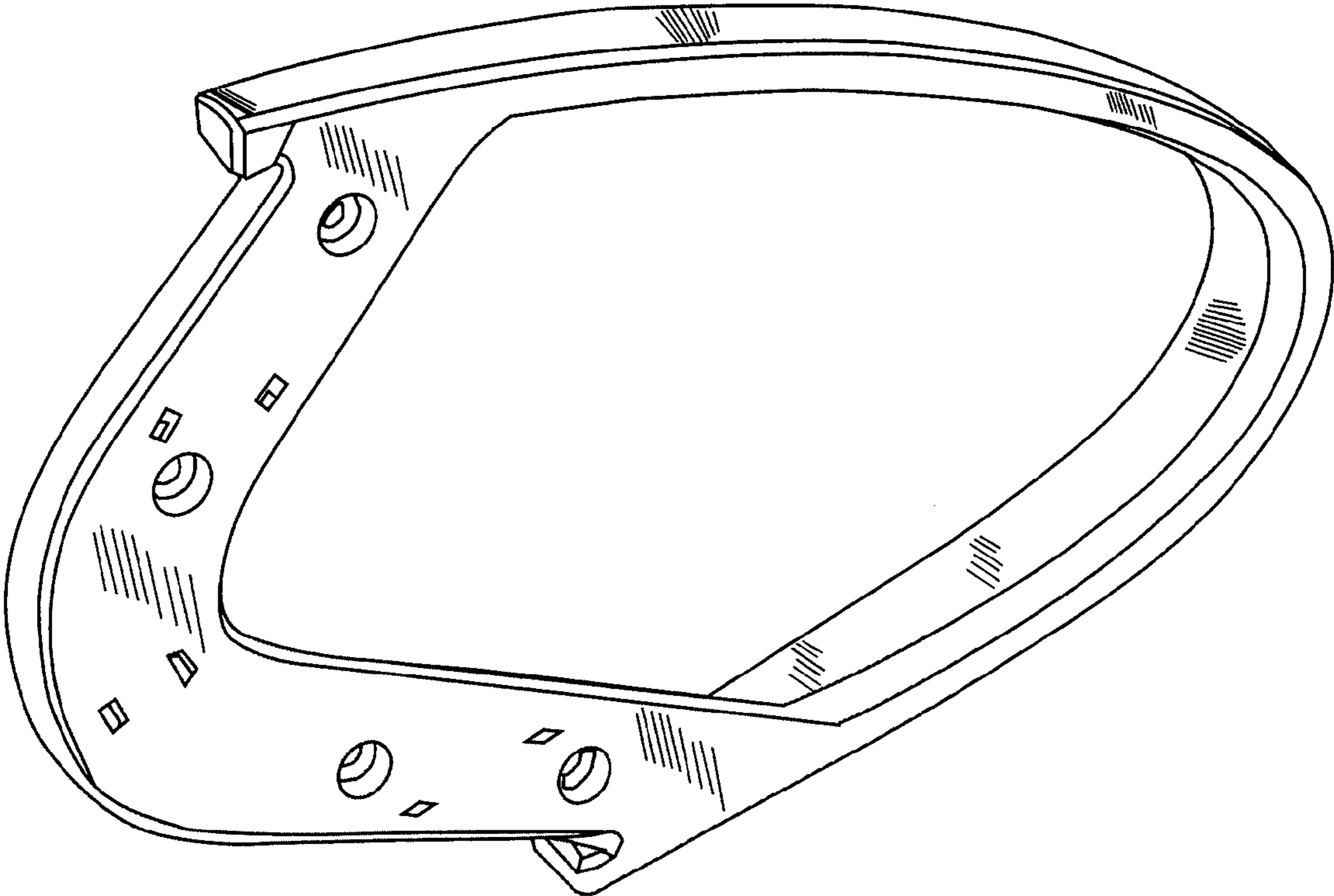


FIG. 1

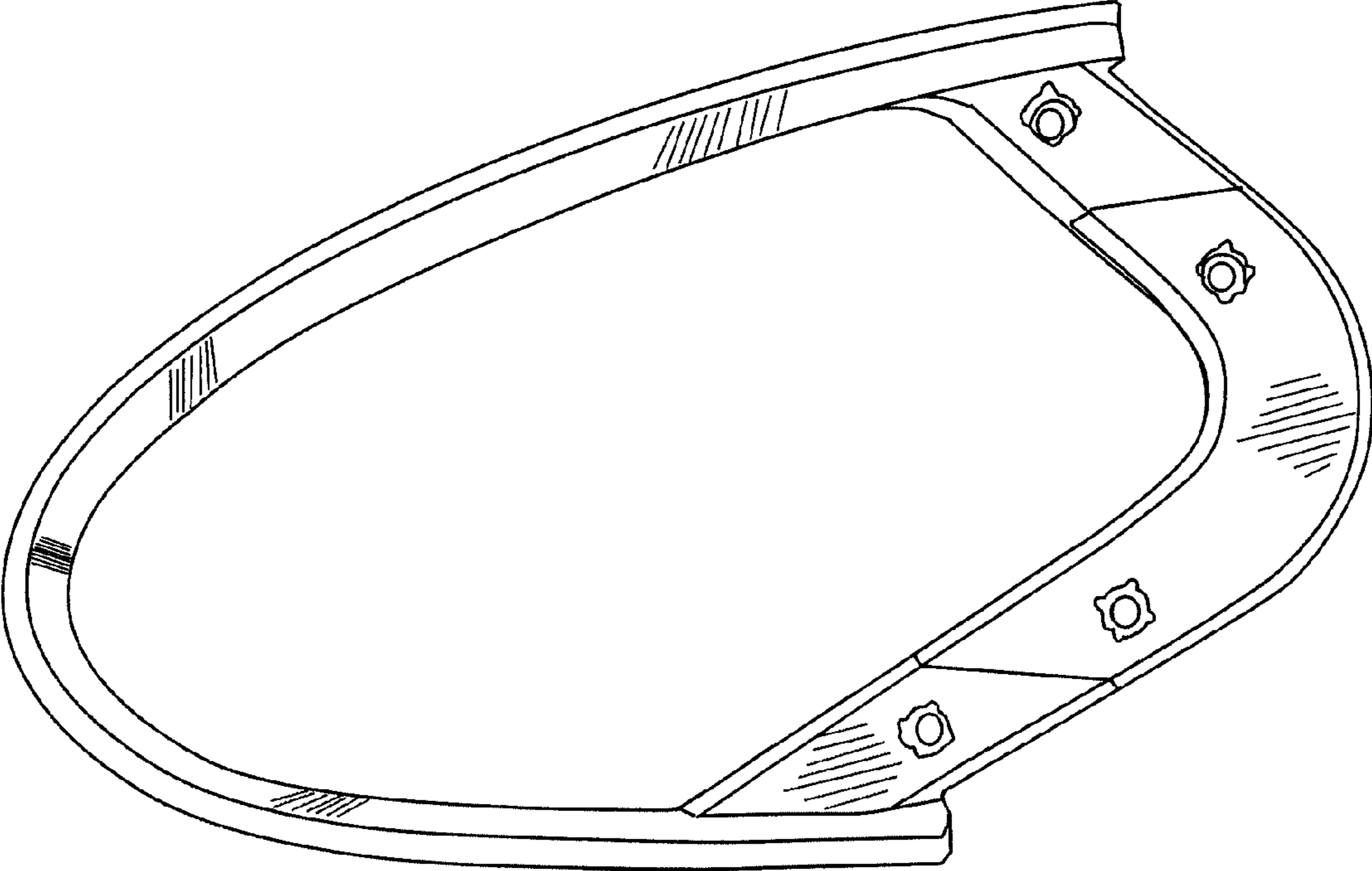


FIG. 2

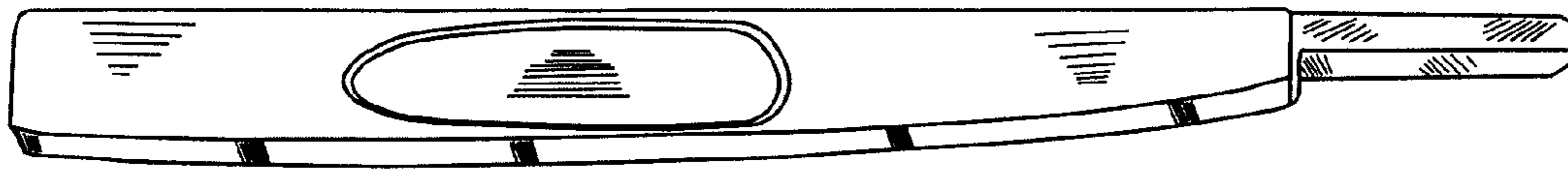


FIG. 3



FIG. 4

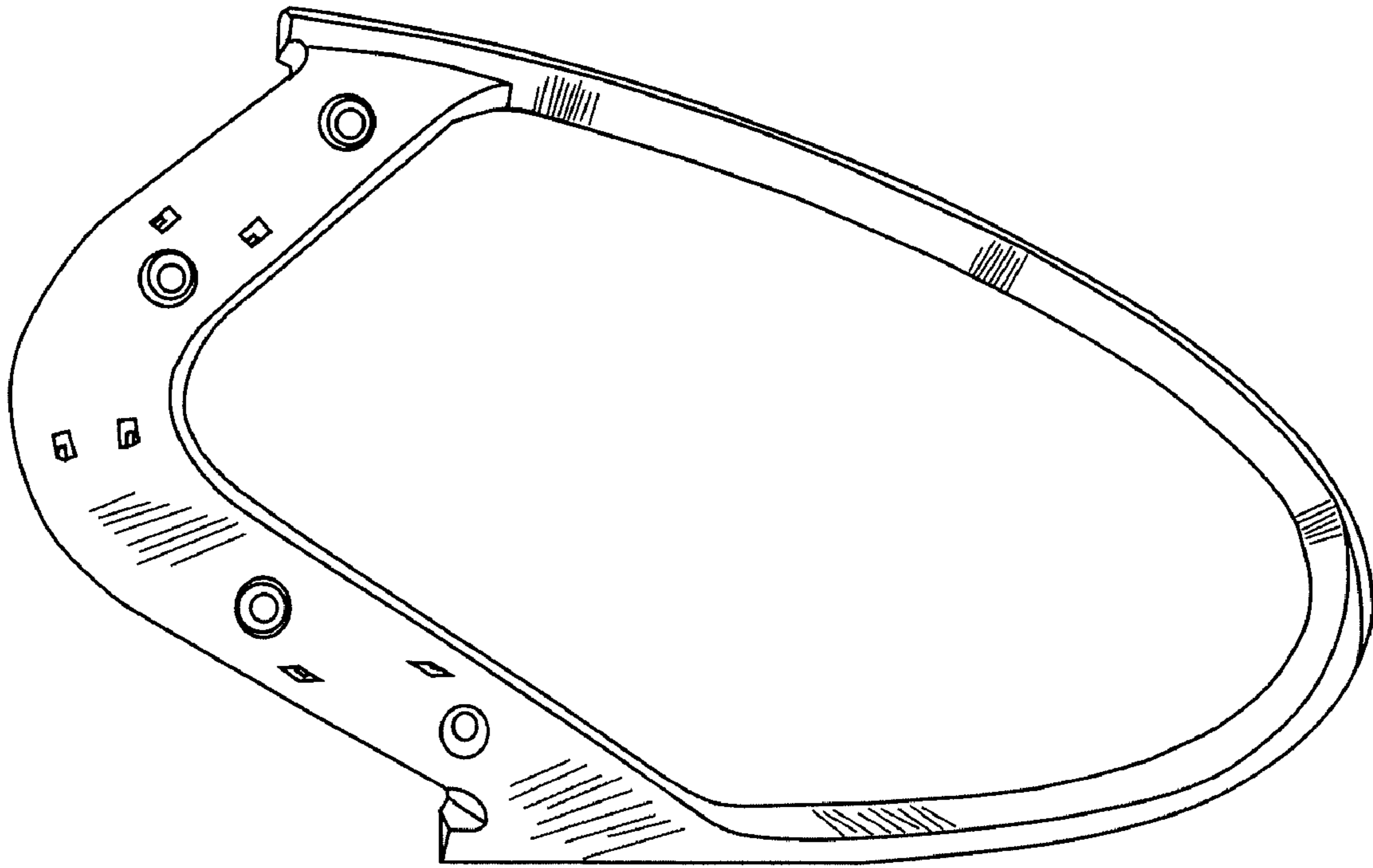


FIG. 5

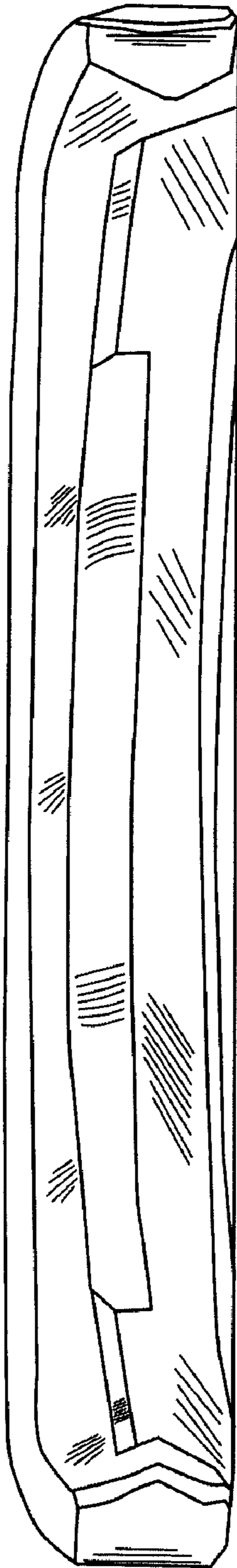


FIG. 6

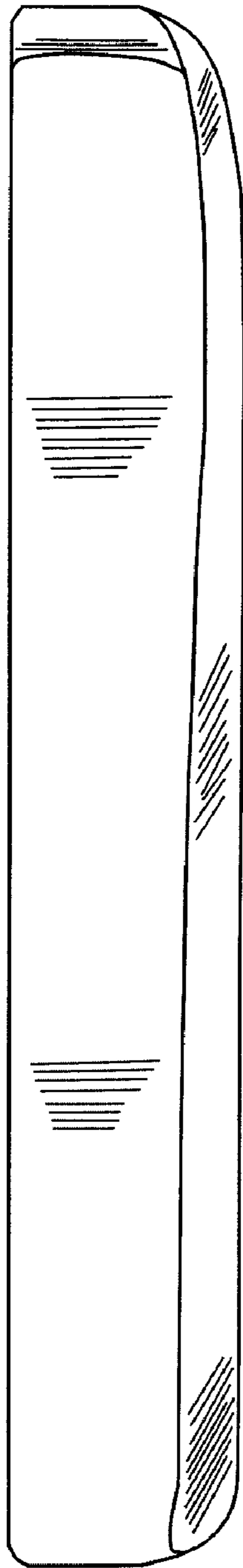


FIG. 7

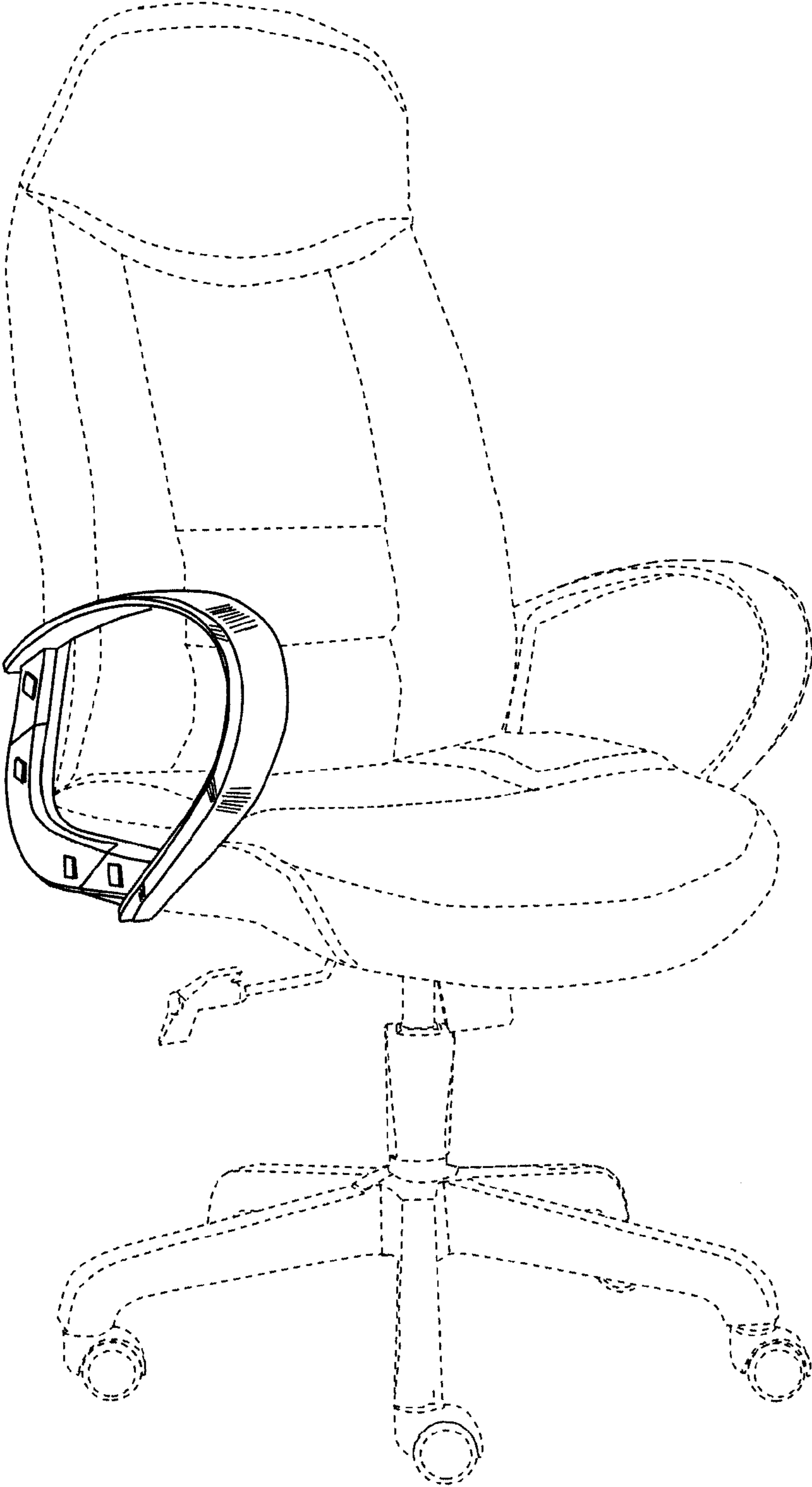


FIG. 8