



US00D585220S

(12) **United States Design Patent**
Skalka

(10) **Patent No.:** **US D585,220 S**
(45) **Date of Patent:** **** Jan. 27, 2009**

(54) **BENCH FRAME**

(75) Inventor: **Gerald Skalka**, Potomac, MD (US)

(73) Assignee: **Victor Stanley, Inc.**, Dunkirk, MD (US)

(**) Term: **14 Years**

(21) Appl. No.: **29/309,153**

(22) Filed: **Jun. 27, 2008**

Related U.S. Application Data

(62) Division of application No. 29/290,738, filed on Jan. 9, 2008.

(51) **LOC (9) Cl.** **06-01**

(52) **U.S. Cl.** **D6/492**

(58) **Field of Classification Search** D6/334,
D6/349, 355, 357, 367, 368, 370, 374-381,
D6/492, 500-502; 297/175, 232, 233, 283.2,
297/283.3, 445.1, 448.1, 452.12, 452.38,
297/452.48, 461, 462; 5/12.1, 12.2

See application file for complete search history.

(56) **References Cited**

U.S. PATENT DOCUMENTS

D215,430 S *	9/1969	Suzuki	D6/349
D216,115 S *	11/1969	Suzuki	D6/370
D263,353 S *	3/1982	Beals	D6/370
D303,877 S *	10/1989	Norton	D6/349
D361,901 S *	9/1995	Szekely	D6/370
D365,937 S *	1/1996	Skalka	D6/370
D376,937 S	12/1996	Skalka		
D384,512 S	10/1997	Skalka		
D386,012 S	11/1997	Skalka		
D396,358 S *	7/1998	Geier	D6/349
D419,341 S	1/2000	Chipman		
D451,296 S *	12/2001	Stewart	D6/370
D453,424 S *	2/2002	Stewart	D6/349

D457,742 S	5/2002	Arnold		
D465,936 S *	11/2002	Arnold	D6/349
D470,690 S *	2/2003	Hughes	D6/495
D481,210 S *	10/2003	Chipman	D6/349
D512,229 S *	12/2005	Reza-Hadden	D6/355
D523,263 S	6/2006	Skalka		
7,073,756 B1 *	7/2006	Walton	248/188.1
D525,809 S	8/2006	Hughes		
D526,514 S	8/2006	Hughes		
D526,805 S	8/2006	Skalka		
D530,535 S	10/2006	Skalka		
D530,548 S *	10/2006	McCurry	D6/500
D532,620 S	11/2006	Skalka		
D559,569 S *	1/2008	Pappas	D6/355
D562,035 S *	2/2008	Pappas	D6/495
D563,689 S	3/2008	Skalka		

* cited by examiner

Primary Examiner—Sandra Snapp

(74) *Attorney, Agent, or Firm*—Jacobson Holman PLLC

(57) **CLAIM**

The ornamental design for a bench frame, as shown.

DESCRIPTION

FIG. 1 is an isometric view of a bench frame showing my new design.

FIG. 2 is a right side elevational view of the bench frame of FIG. 1, the left side elevational view being a mirror image thereof.

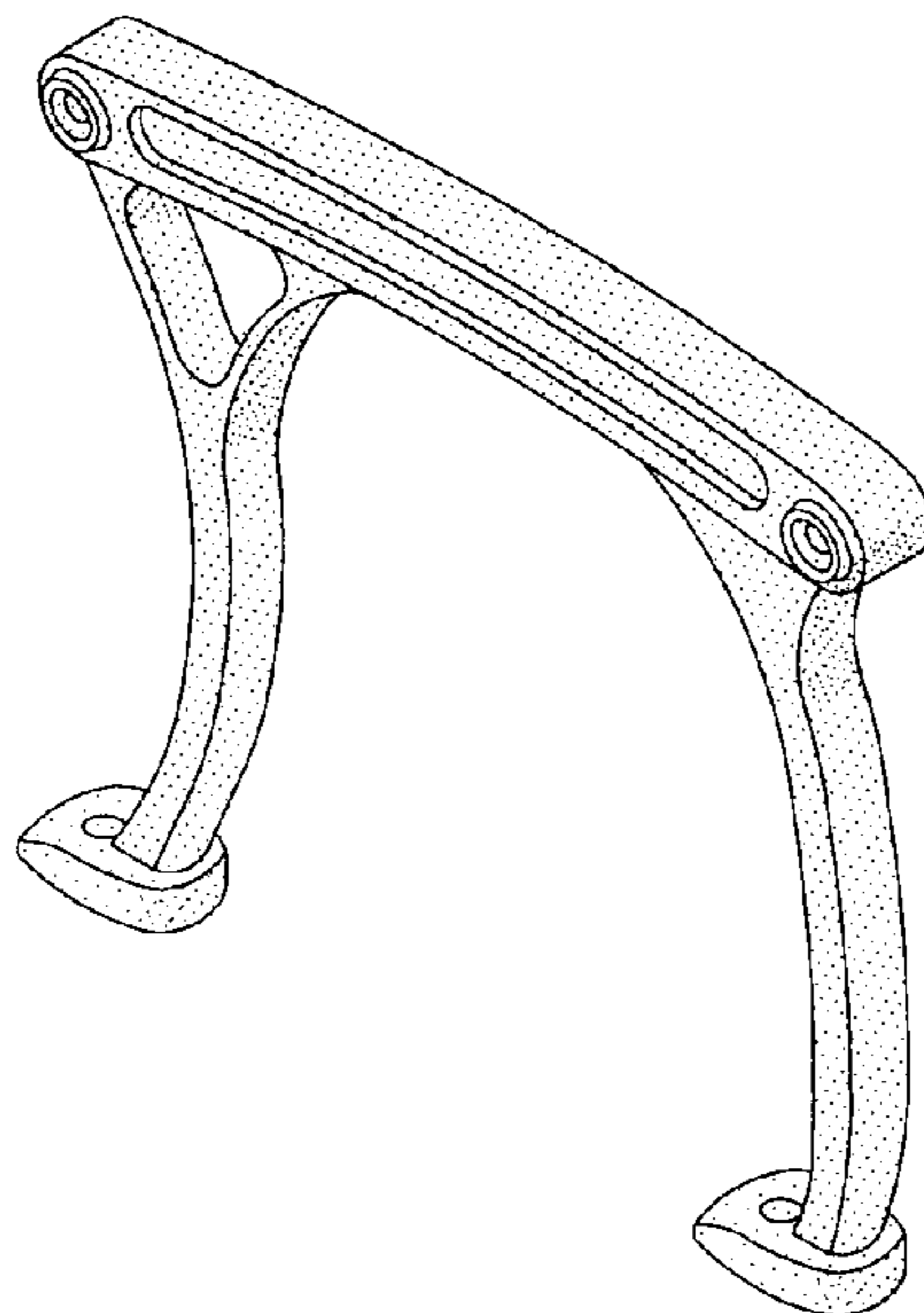
FIG. 3 is a top plan view of the bench frame of FIG. 1.

FIG. 4 is a bottom plan view of the bench frame of FIG. 1.

FIG. 5 is a back elevational view of the bench frame of FIG. 1; and,

FIG. 6 is a front elevational view of the bench frame of FIG. 1.

1 Claim, 1 Drawing Sheet



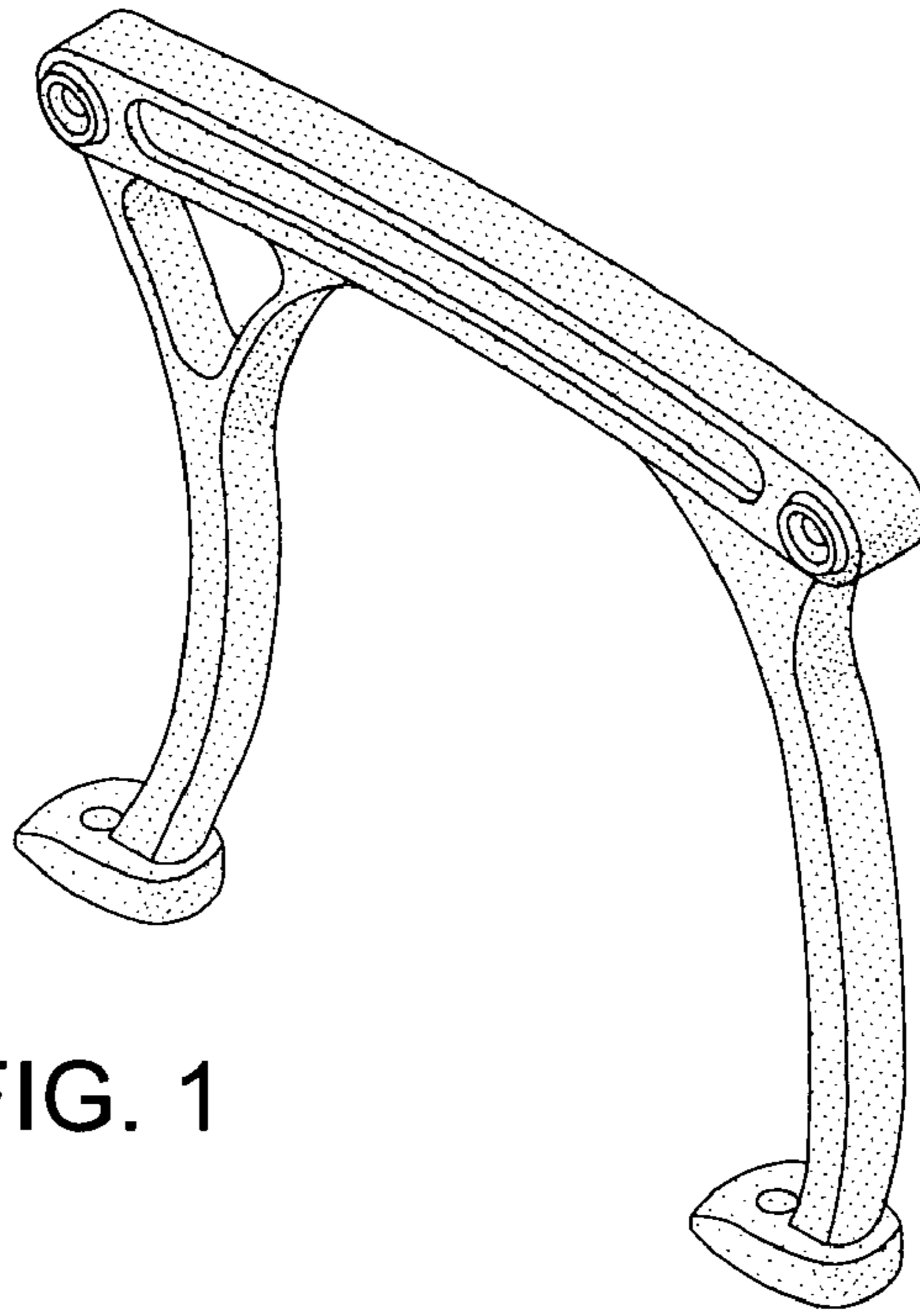


FIG. 1

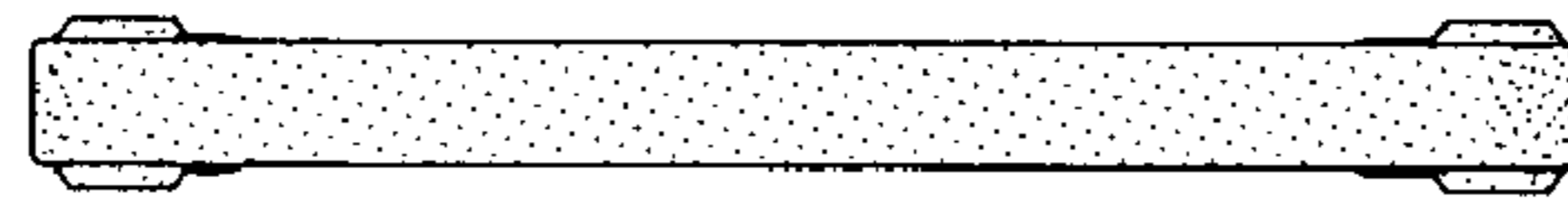


FIG. 3

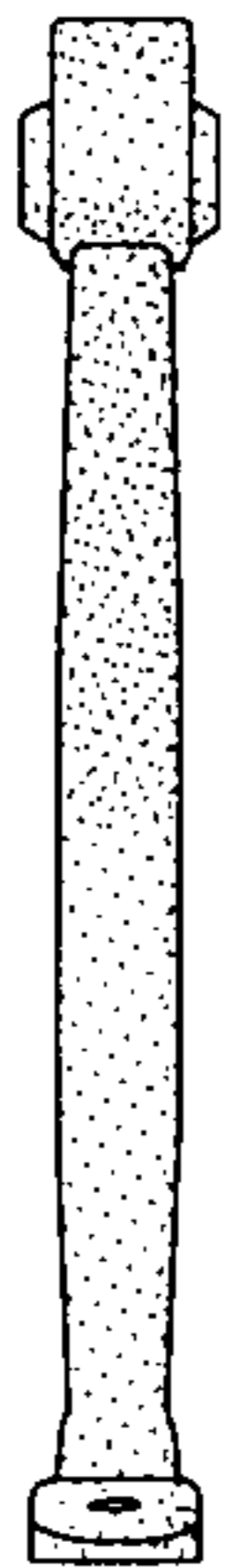


FIG. 5

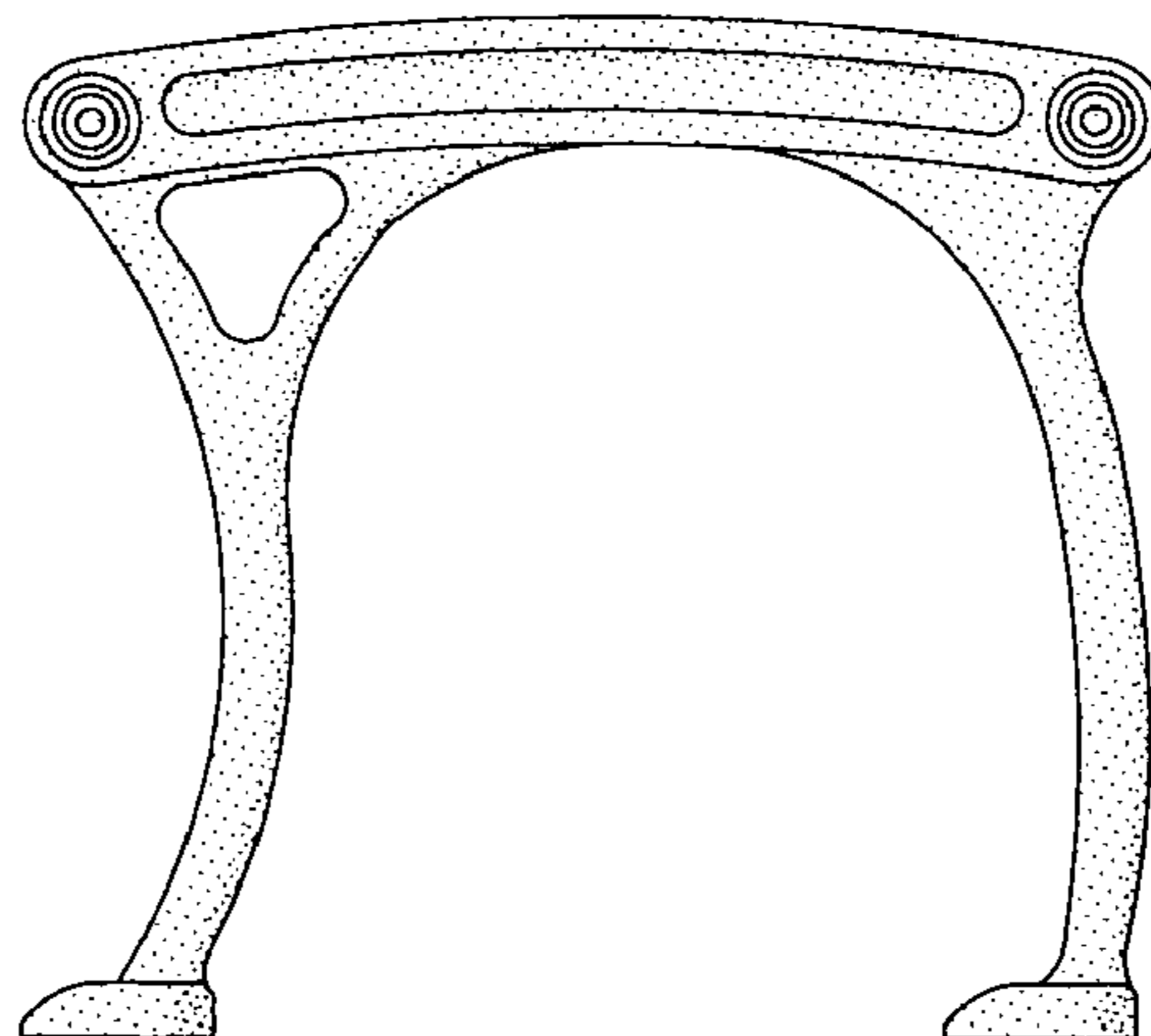


FIG. 2

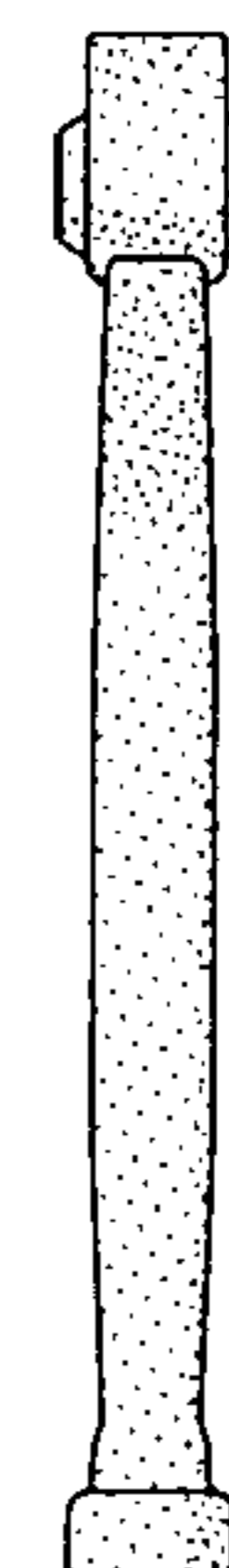


FIG. 6

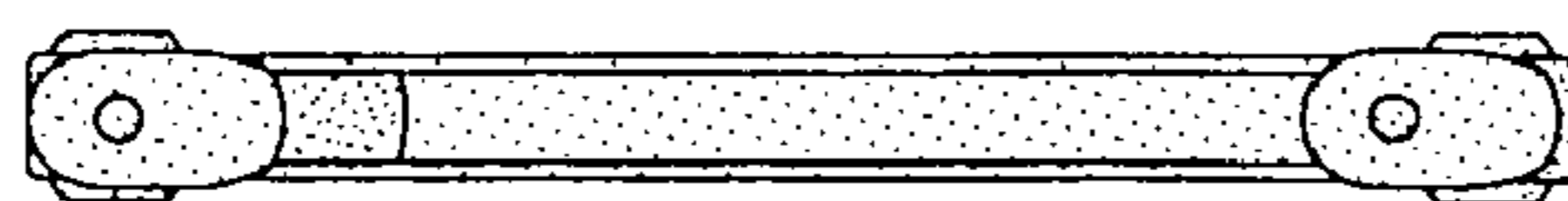


FIG. 4