



US00D585218S

(12) **United States Design Patent**
Hamilton et al.

(10) **Patent No.:** **US D585,218 S**
(45) **Date of Patent:** **** Jan. 27, 2009**

(54) **TABLE**

(75) Inventors: **John R. Hamilton**, Grand Rapids, MI (US); **Kurt R. Heidman**, Grand Rapids, MI (US); **Steven James Beukema**, Ada, MI (US); **Jay A. Grandin**, Vancouver (CA)

(73) Assignee: **Steelcase Development Corporation**, Caledonia, MI (US)

(**) Term: **14 Years**

(21) Appl. No.: **29/288,192**

(22) Filed: **Jun. 1, 2007**

(51) **LOC (9) Cl.** **06-03**

(52) **U.S. Cl.** **D6/480**

(58) **Field of Classification Search** D6/480-489, D6/495-499, 511, 429-431; 108/50.01, 108/50.02, 64, 25, 161, 153, 155, 157; 248/188, 248/188.1, 188.8

See application file for complete search history.

(56) **References Cited**

U.S. PATENT DOCUMENTS

631,750 A	8/1899	Pleukharp	
2,542,649 A	2/1951	Flowers	
D176,879 S *	2/1956	Petzold	D6/474
3,883,202 A	5/1975	Konig	
4,224,769 A	9/1980	Ball et al.	
4,382,642 A	5/1983	Burdick	
4,562,986 A	1/1986	Frascaroli et al.	
4,600,173 A	7/1986	Frascaroli et al.	
4,639,049 A	1/1987	Frascaroli et al.	
4,679,510 A	7/1987	Veyhl et al.	
4,748,913 A	6/1988	Favaretto et al.	
4,798,423 A	1/1989	LaCour	
4,838,177 A	6/1989	Vander Park	
4,884,513 A	12/1989	Newhouse et al.	
D308,444 S	6/1990	Burdick	
4,944,235 A	7/1990	Jahnke et al.	
4,974,913 A	12/1990	Vogt et al.	
5,078,055 A	1/1992	Bellini et al.	

5,130,494 A	7/1992	Simonton et al.	
5,154,126 A	10/1992	Newhouse et al.	
5,174,532 A	12/1992	Huang	
5,186,425 A	2/1993	Keusch et al.	
5,241,914 A	9/1993	Korb	
D343,311 S *	1/1994	Ball	D6/487
5,277,132 A	1/1994	Korb	
5,289,784 A	3/1994	Waibel	
D367,193 S *	2/1996	Dame et al.	D6/495
5,522,324 A	6/1996	van Gelder et al.	
5,544,593 A	8/1996	Canfield et al.	
5,598,790 A	2/1997	Fich	

(Continued)

FOREIGN PATENT DOCUMENTS

EP	1 008 315 A1	6/2000
WO	WO 98/07350	2/1998

Primary Examiner—Janice E Seeger
(74) *Attorney, Agent, or Firm*—Price, Heneveld, Cooper, DeWitt & Litton, LLP

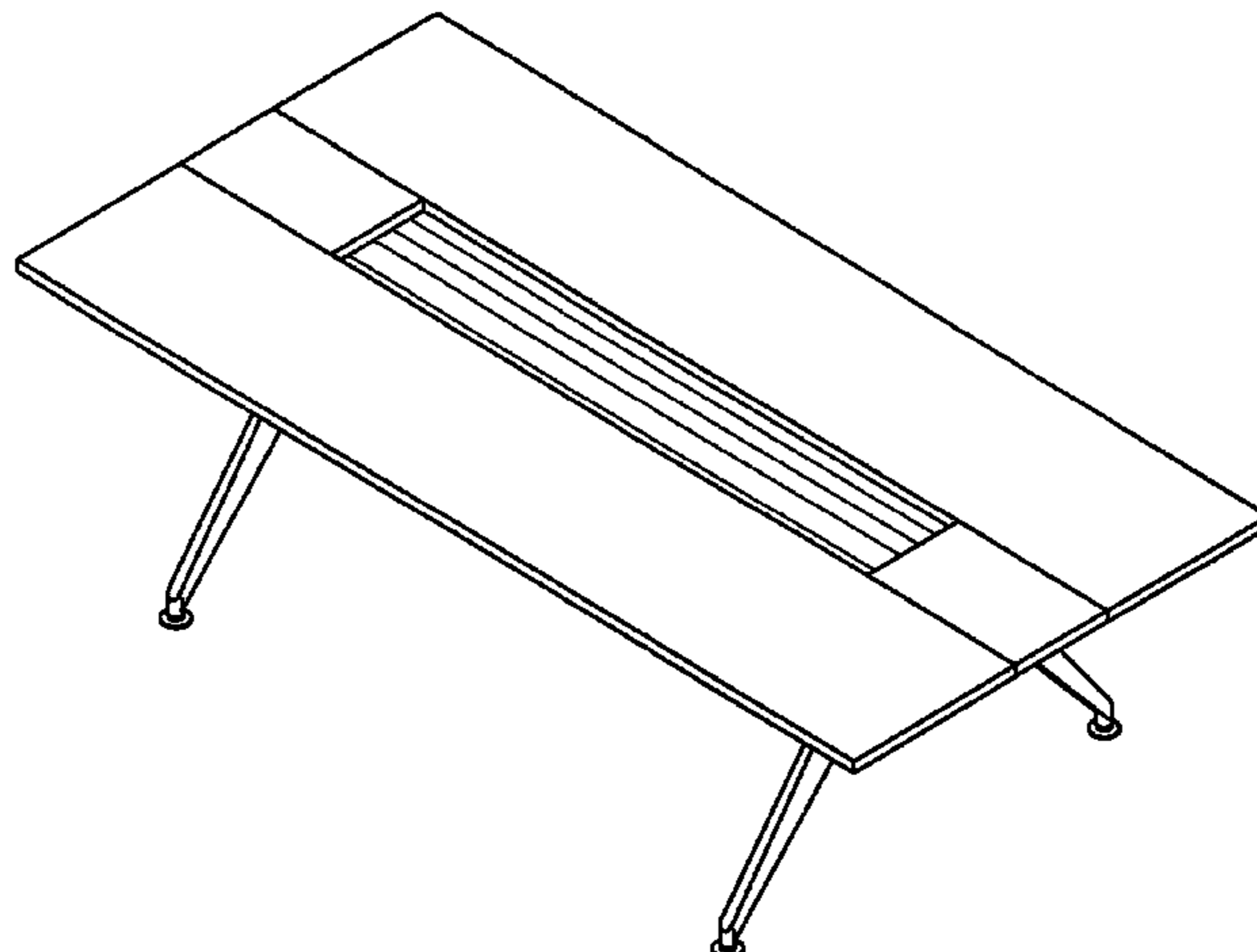
(57) **CLAIM**

The ornamental design for a table, as shown and described.

DESCRIPTION

FIG. 1 is a perspective view of a table, taken from an upper portion thereof, showing our new design;
FIG. 2 is a perspective view, taken from a bottom portion thereof;
FIG. 3 is a top plan view;
FIG. 4 is a right-hand side elevational view, wherein the left-hand side elevational view is substantially identical;
FIG. 5 is a bottom plan view; and,
FIG. 6 is an end elevational view thereof.

1 Claim, 4 Drawing Sheets



US D585,218 S

Page 2

U.S. PATENT DOCUMENTS

5,609,402 A	3/1997	Kemp	6,481,169 B1	11/2002	Ludwig et al.
D379,887 S	6/1997	Muller-Deisig et al.	6,490,981 B2	12/2002	Isensee et al.
5,638,759 A	6/1997	Klugkist	6,523,795 B2	2/2003	Gutgsell et al.
5,666,888 A	9/1997	Dame et al.	D474,049 S	5/2003	Wakasugi et al.
5,715,761 A	2/1998	Frattini	6,588,346 B1	7/2003	Bockheim et al.
5,746,488 A	5/1998	LaCour	6,629,505 B1	10/2003	Cronk et al.
5,833,332 A	11/1998	Marshall et al.	6,647,900 B1	11/2003	Kopish
D403,898 S	1/1999	Arnegger	6,725,784 B2	4/2004	Crinion
5,921,052 A	7/1999	Kemp	6,729,244 B2	5/2004	Cattaneo
5,954,409 A	9/1999	LaCour	6,732,660 B2	5/2004	Dame et al.
5,975,657 A	11/1999	LaCour	6,766,748 B2	7/2004	Insalaco et al.
6,024,024 A	2/2000	Favaretto	6,786,161 B2	9/2004	Fischer
6,050,659 A	4/2000	LaCour	D504,253 S	4/2005	Bouroullec et al.
6,076,903 A	6/2000	Vander Park	6,895,868 B1	5/2005	Cronk et al.
6,086,028 A	7/2000	Pfister	D506,888 S	7/2005	Althofer
6,146,046 A	11/2000	Oberle	D507,902 S *	8/2005	Cioncada D6/480
6,152,048 A	11/2000	Vander Park	6,986,556 B2	1/2006	Haberman
6,180,884 B1	1/2001	Tokunaga et al.	7,036,438 B2	5/2006	Okamoto et al.
6,202,567 B1	3/2001	Funk et al.	7,066,097 B2	6/2006	Gayhart et al.
6,267,064 B1	7/2001	Ostertag et al.	7,111,564 B2	9/2006	Chang
6,283,043 B1	9/2001	Stern et al.	7,191,713 B2	3/2007	Gayhart et al.
6,293,506 B1	9/2001	Gutgsell et al.	2003/0010260 A1	1/2003	Chang
6,302,035 B1	10/2001	Frenkler et al.	2003/0226478 A1	12/2003	Nicoletti
6,327,983 B1	12/2001	Cronk et al.	2005/0263041 A1	12/2005	Mueller et al.
6,347,592 B1	2/2002	Gessert	2005/0268823 A1	12/2005	Bakker et al.
6,389,988 B1	5/2002	Frattini	2005/0284341 A1	12/2005	Klassy et al.
D460,639 S	7/2002	Crinion	2006/0096506 A1	5/2006	Brauning et al.
6,415,723 B1	7/2002	Kopish et al.	2006/0162626 A1	7/2006	Brauning et al.
6,435,106 B2	8/2002	Funk et al.	2007/0251428 A1 *	11/2007	Mead et al. 108/50.02

* cited by examiner

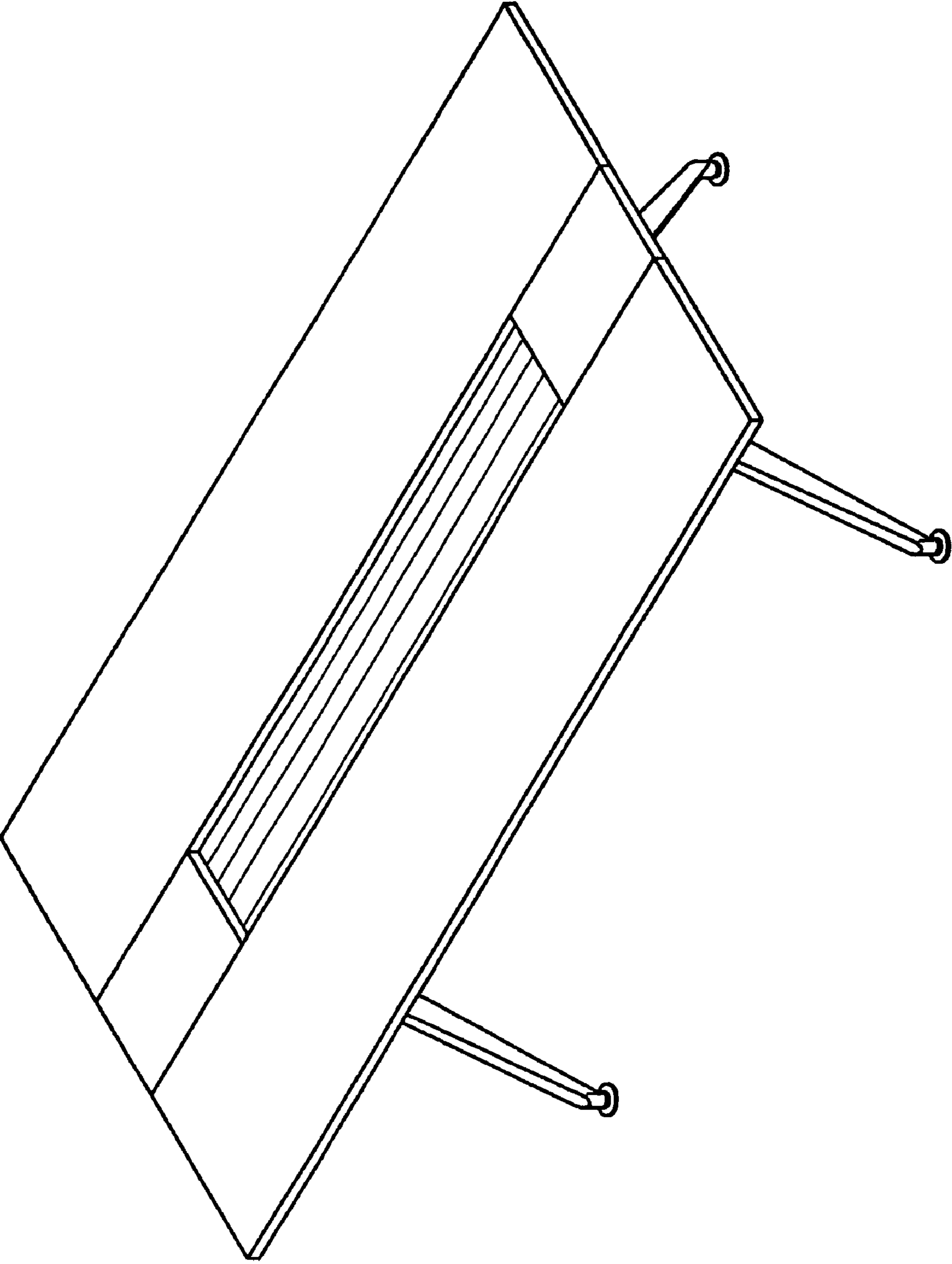


FIG. 1

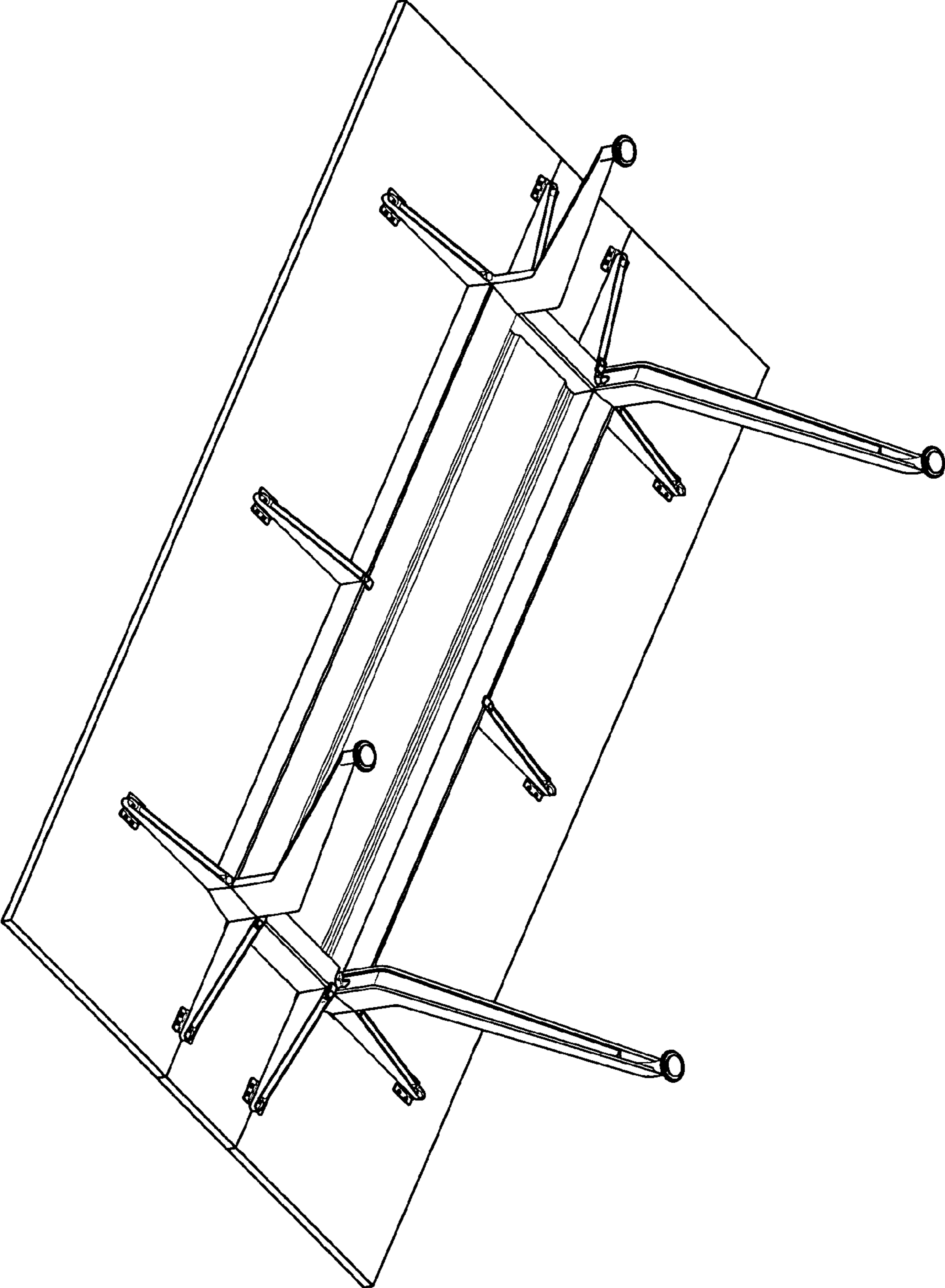


FIG. 2

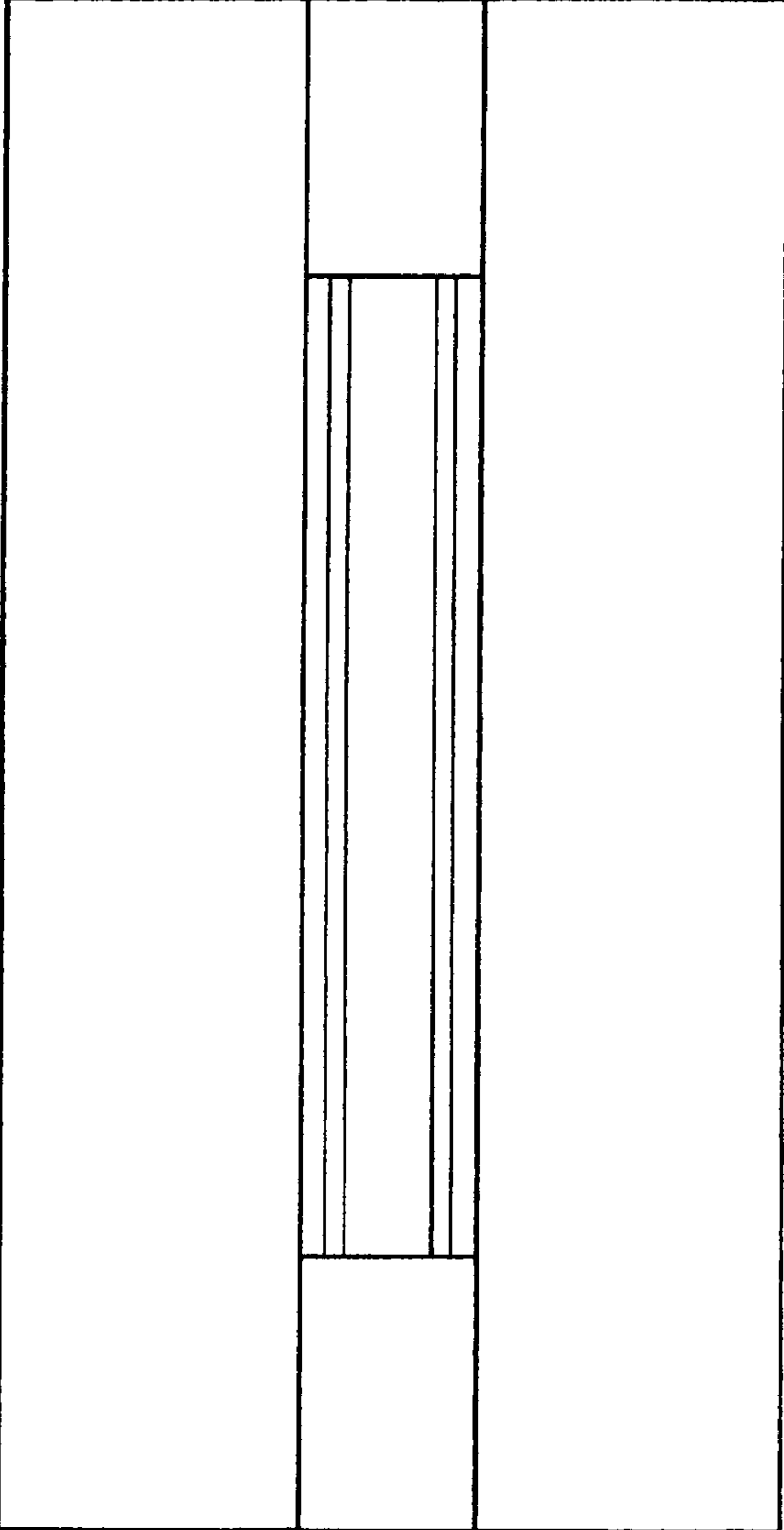


FIG. 3

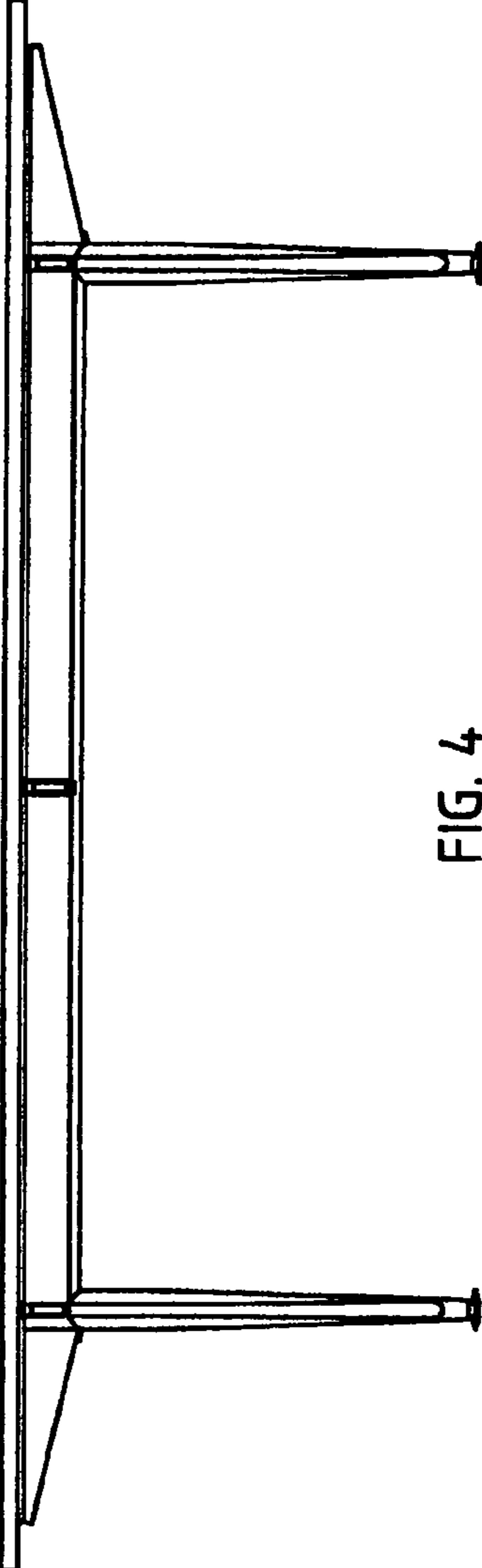


FIG. 4

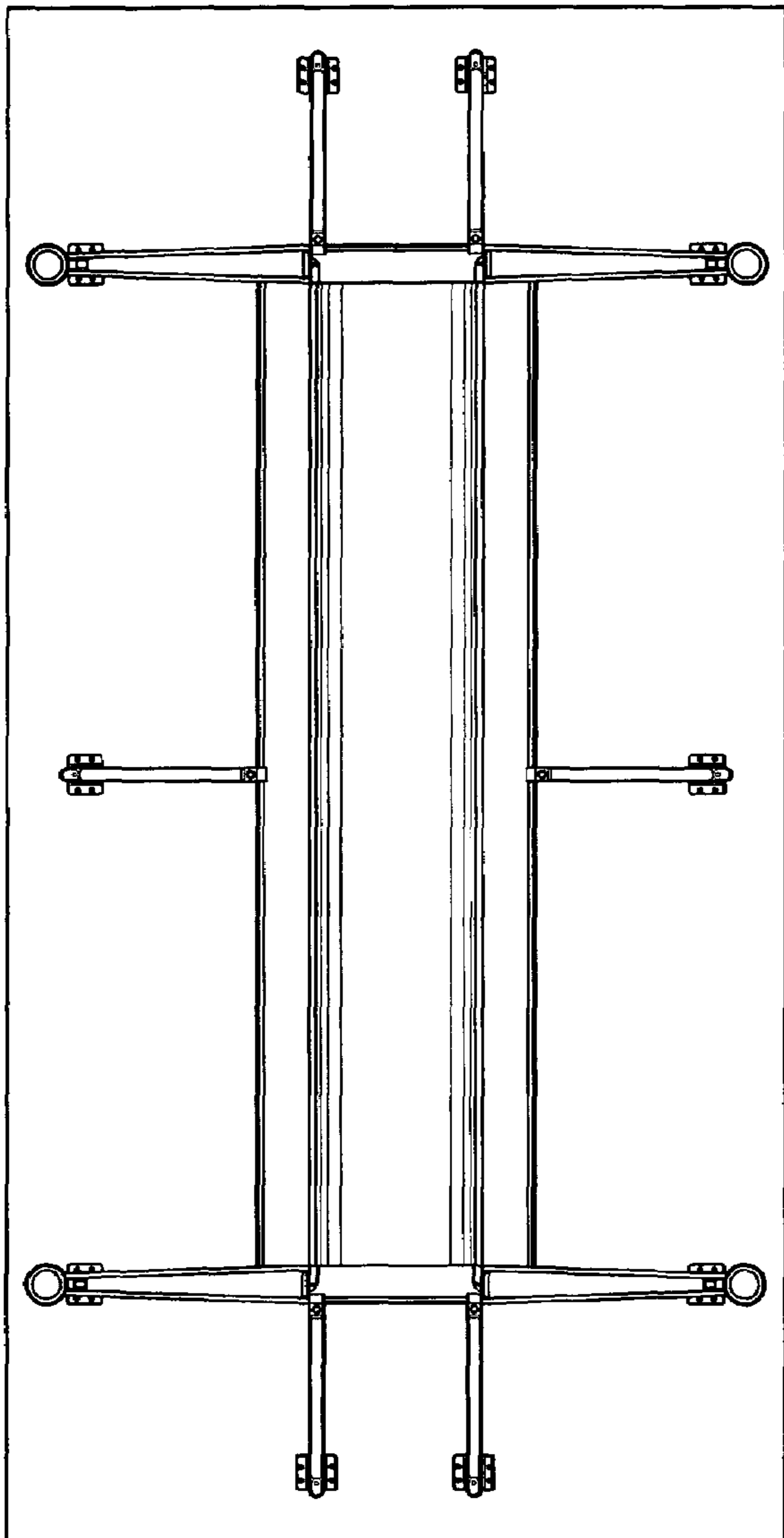


FIG. 5

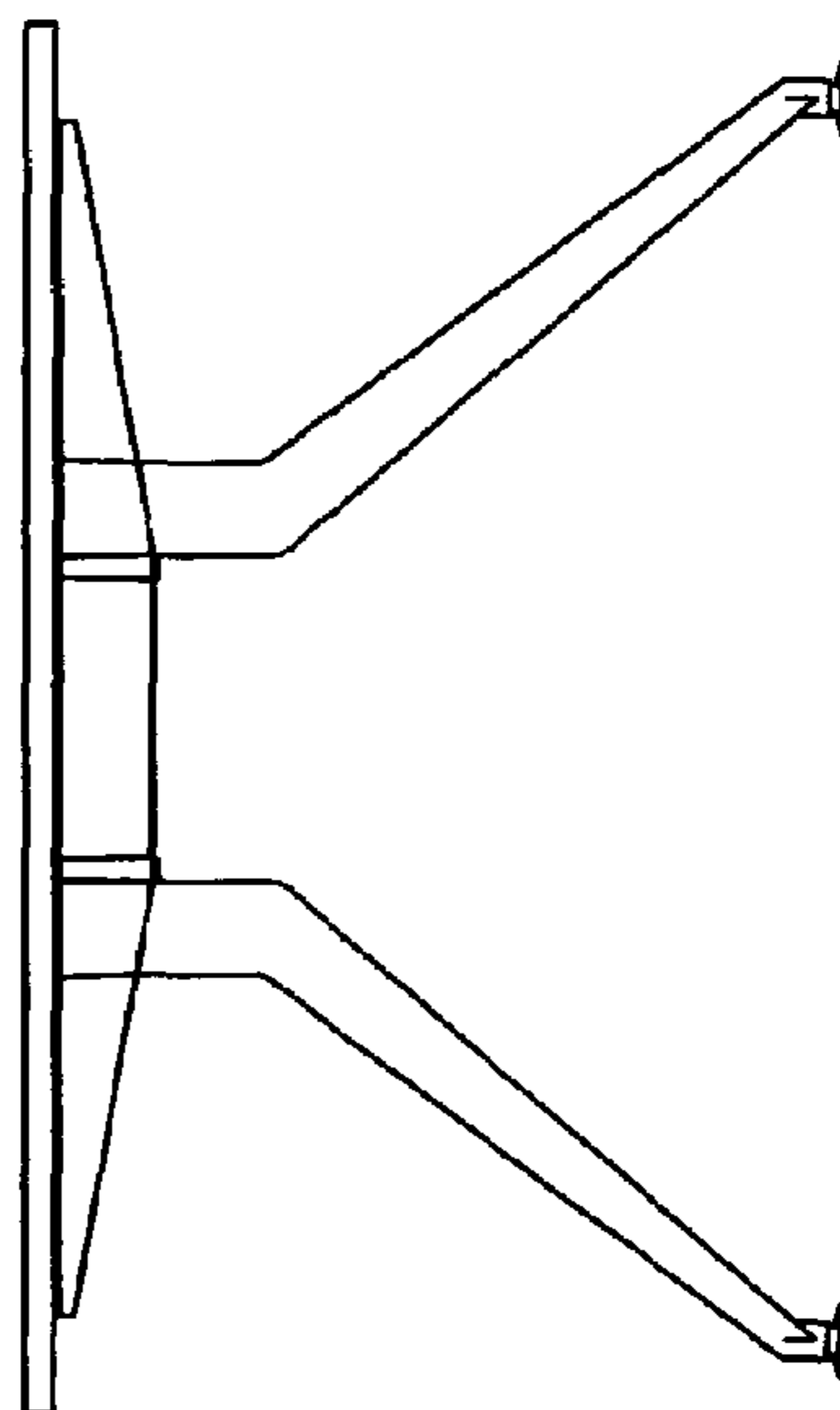


FIG. 6