



US00D585217S

(12) **United States Design Patent**  
**Lussier et al.**

(10) **Patent No.:** **US D585,217 S**  
(45) **Date of Patent:** **\*\* Jan. 27, 2009**

- (54) **GARMENT DISPLAY SYSTEM**
- (75) Inventors: **Andre Lussier**, Ste-Therese (CA);  
**Sanjiv Marwaha**, Montreal (CA); **Serge Boutin**, Laval (CA)
- (73) Assignee: **NTD Apparel Inc.**, Montreal, Quebec (CA)
- (\*\*) Term: **14 Years**
- (21) Appl. No.: **29/257,211**
- (22) Filed: **Mar. 31, 2006**
- (51) **LOC (9) Cl.** ..... **06-04**
- (52) **U.S. Cl.** ..... **D6/467; D6/509**
- (58) **Field of Classification Search** ..... D6/467,  
D6/396, 449, 473, 474, 475, 476, 479, 471,  
D6/491, 509, 457, 466, 315, 634, 397; 211/135,  
211/13.1, 85.3  
See application file for complete search history.

- 5,718,331 A 2/1998 Smith
- 6,012,243 A 1/2000 Ledford
- 6,044,987 A 4/2000 Marcus et al.
- 6,053,460 A 4/2000 Wilkinson, Jr. et al.
- D431,736 S \* 10/2000 O'Brien et al. .... D6/468
- D502,743 S 3/2005 Draper
- 2003/0041496 A1 3/2003 Hagen et al.
- 2007/0181516 A1\* 8/2007 Lussier et al. .... 211/85.3

**FOREIGN PATENT DOCUMENTS**

GB 2199729 A 7/1988

\* cited by examiner

*Primary Examiner*—Janice E Seeger  
*Assistant Examiner*—Sydney R Buffalow  
(74) *Attorney, Agent, or Firm*—Alexandre Abecassis; Fasken Martineau DuMoulin LLP

(57) **CLAIM**

The ornamental design for a garment display system, as shown and described.

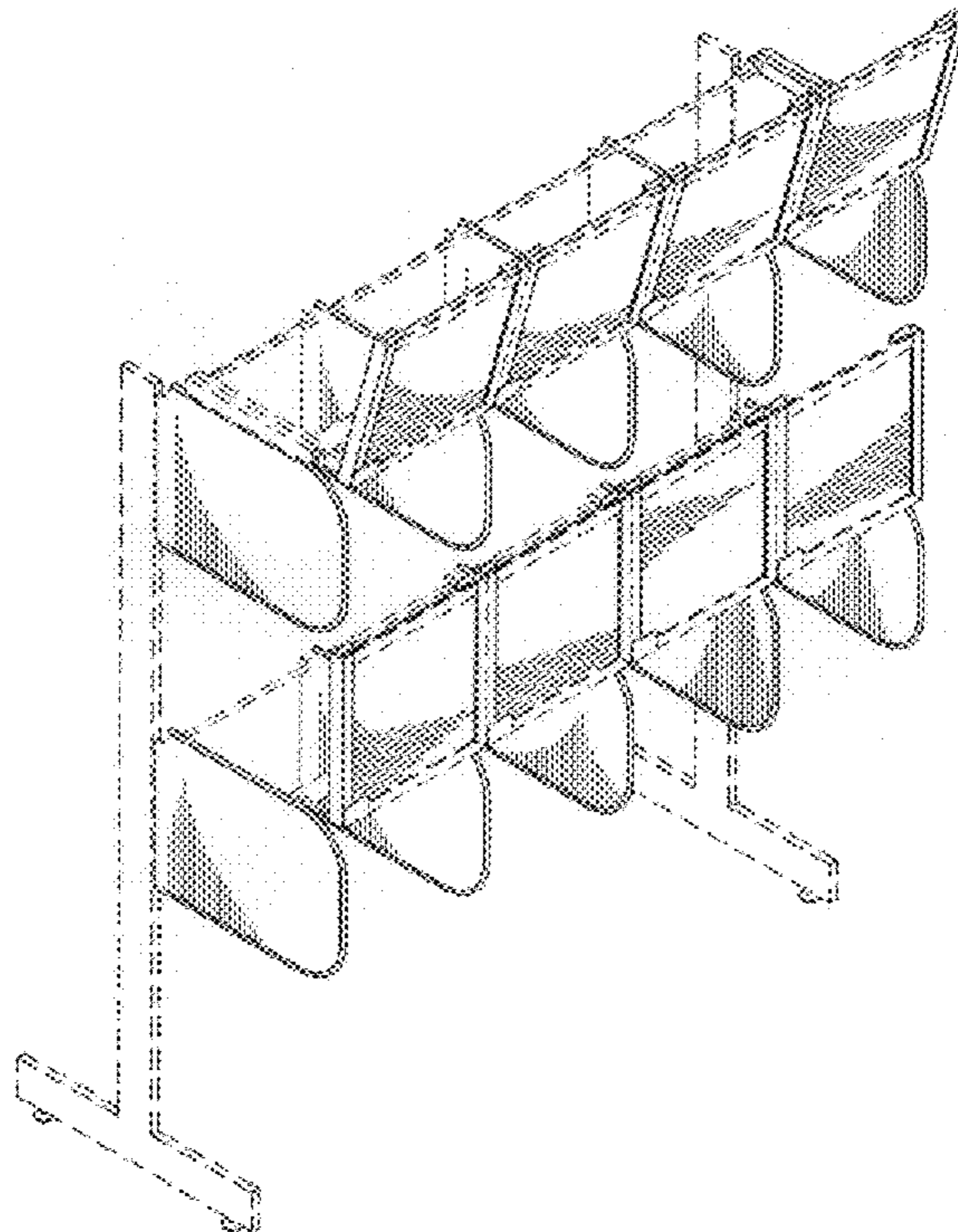
**DESCRIPTION**

FIG. 1 is a front right perspective view of a garment display system showing our new design;  
FIG. 2 is a front elevation view thereof;  
FIG. 3 is a right elevation view thereof; and,  
FIG. 4 is a left elevation view thereof.  
The broken lines are for the illustrative purposes only and form no part of the claimed design.

**1 Claim, 4 Drawing Sheets**

(56) **References Cited**  
**U.S. PATENT DOCUMENTS**

- 1,616,181 A 2/1927 Freedman
- 2,495,109 A 1/1950 Kramer
- 3,978,593 A 9/1976 Pulitzer et al.
- D262,357 S 12/1981 Kohler
- 4,336,886 A 6/1982 Azoulay et al.
- D281,381 S \* 11/1985 Moher et al. .... D6/471
- D365,229 S \* 12/1995 Story et al. .... D6/471
- 5,557,870 A 9/1996 Bergman



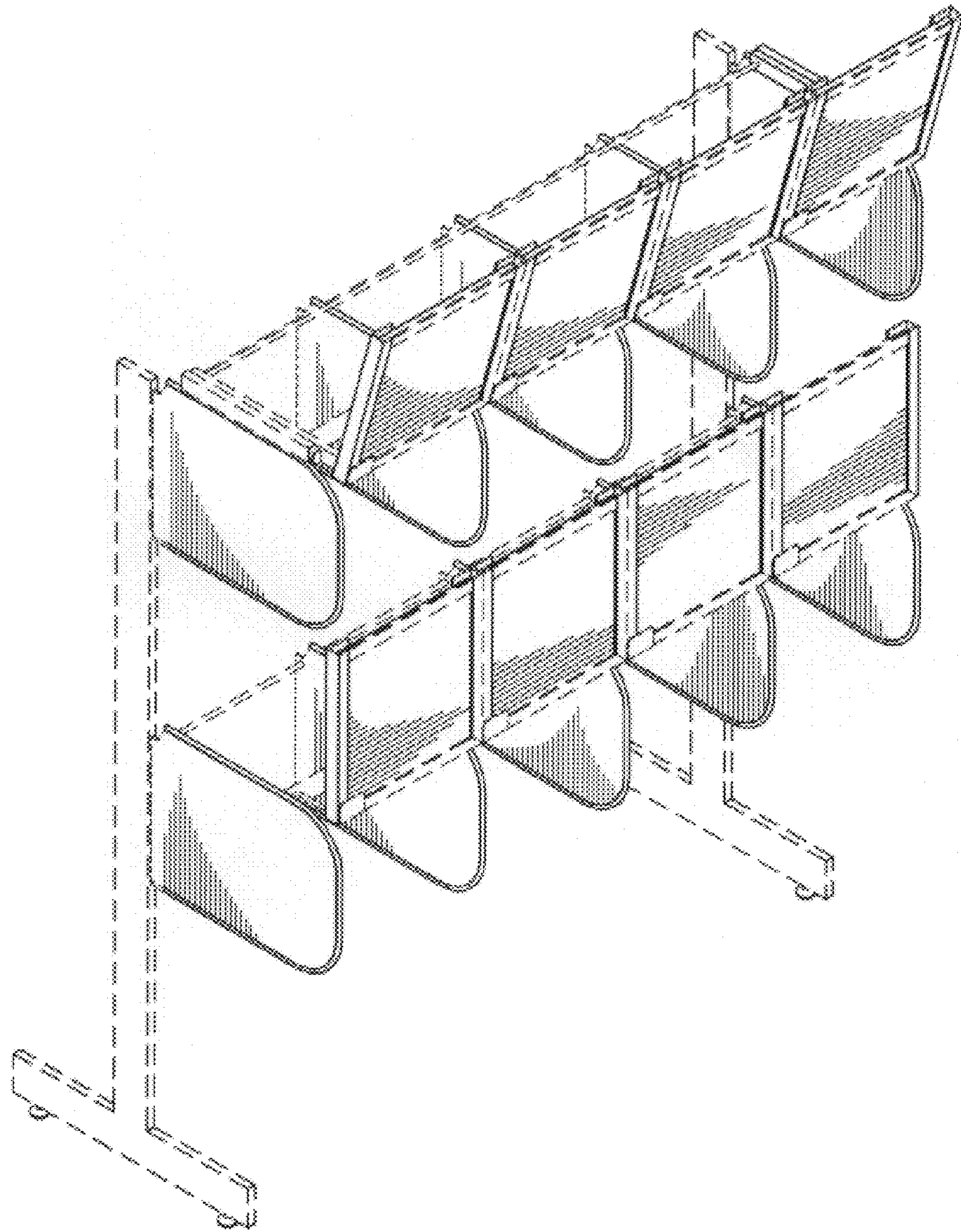


FIG. 1

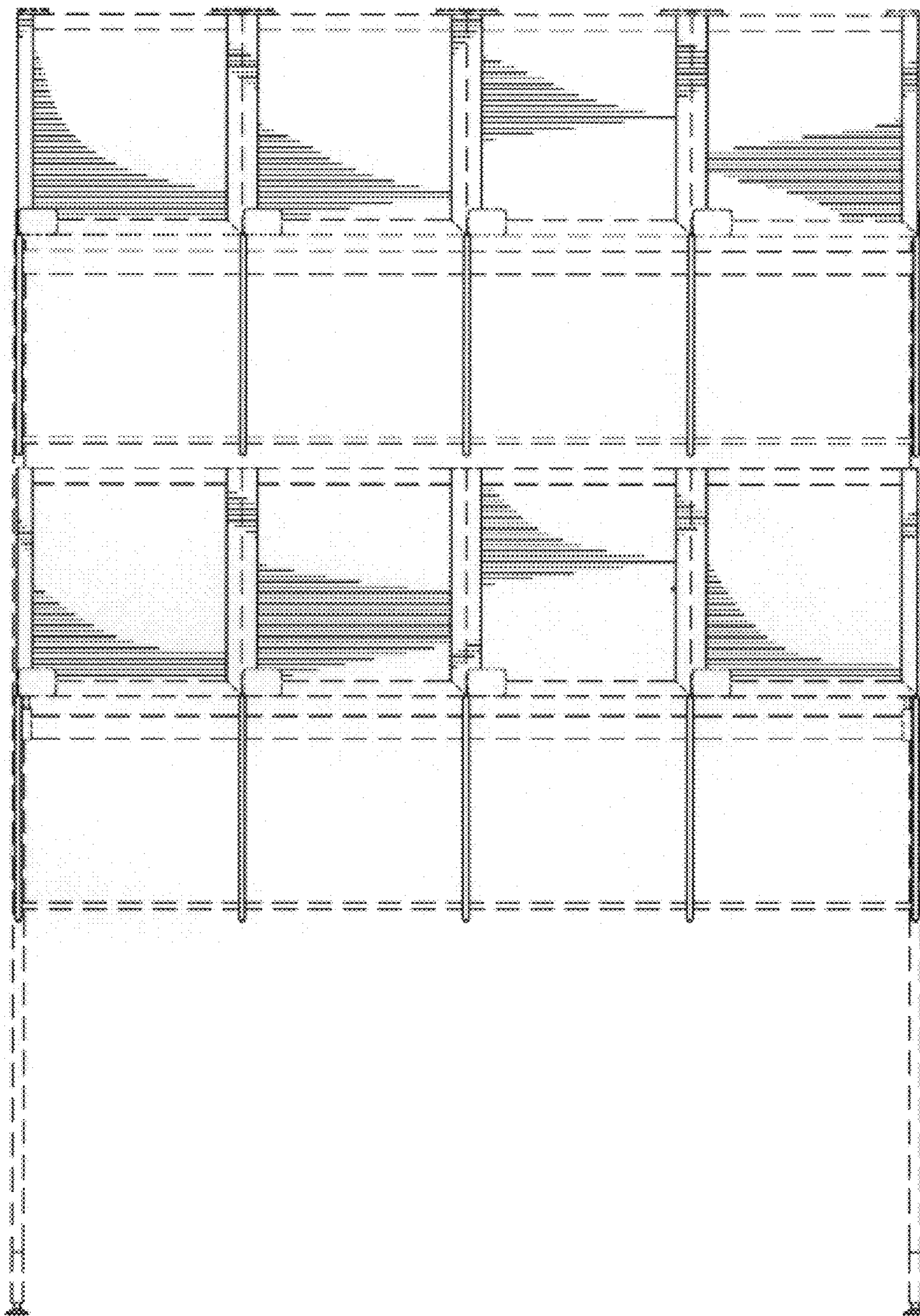


FIG. 2

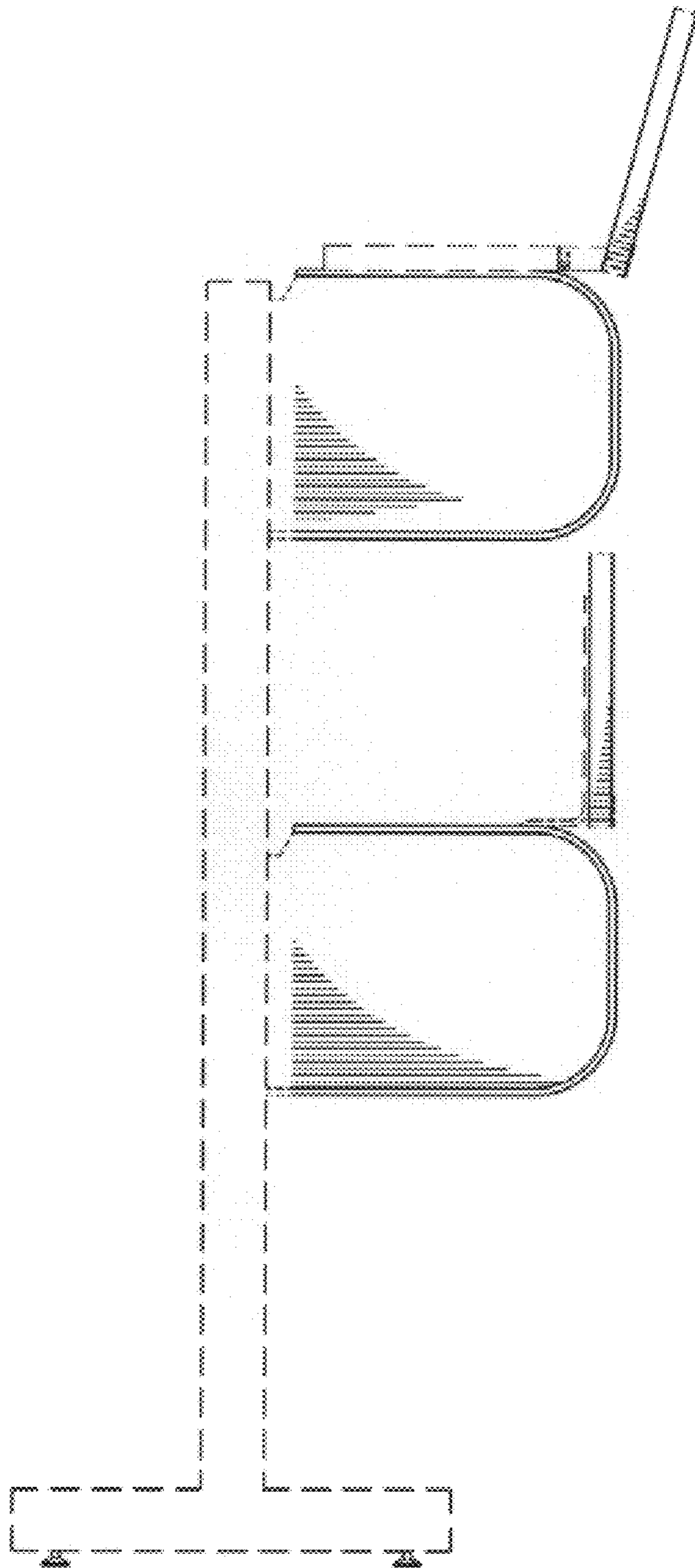


FIG. 3

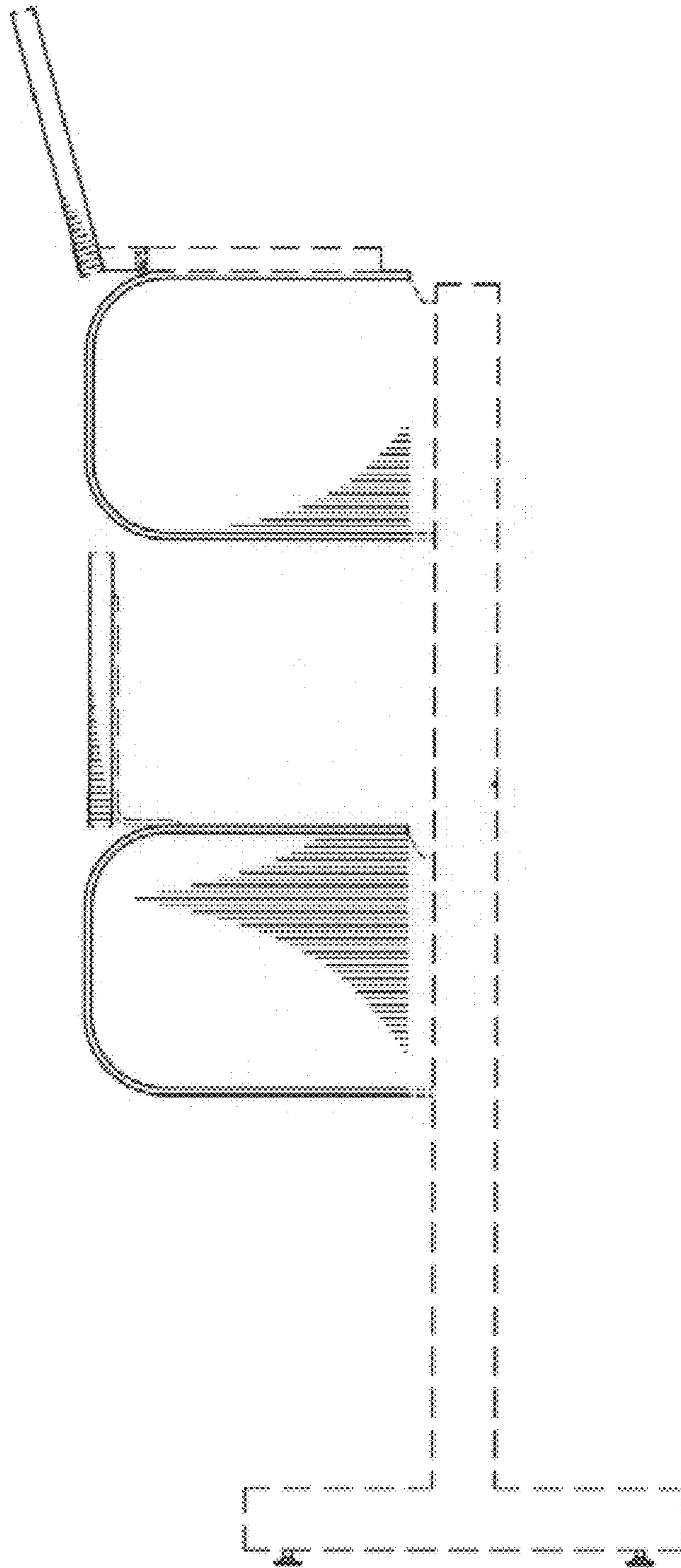


FIG-4