



US00D585216S

(12) **United States Design Patent**
Colin

(10) **Patent No.:** **US D585,216 S**
(45) **Date of Patent:** **** Jan. 27, 2009**

(54) **DISPLAY RACK**

(75) Inventor: **Maria Alejandra Noble Colin**, Mexico (MX)

(73) Assignee: **Sabritas, S. De R.L. De C.V.**, Colonia Lomas De Chapultepec, Mexico (MX)

(**) Term: **14 Years**

(21) Appl. No.: **29/247,523**

(22) Filed: **Jun. 23, 2006**

(51) **LOC (9) Cl.** **06-04**

(52) **U.S. Cl.** **D6/462**

(58) **Field of Classification Search** D6/409-415, D6/458, 462-468, 511, 553, 566, 567, 574, D6/317; 211/13.1, 85.31, 90.01, 90.03, 106, 211/119, 59.2, 74, 187, 181.1, 87.01; 108/59, 108/91, 92; 220/486

See application file for complete search history.

(56) **References Cited**

U.S. PATENT DOCUMENTS

D188,329 S *	7/1960	Kelley	D6/317
3,866,788 A *	2/1975	Smit	220/486
4,416,380 A *	11/1983	Flum	211/59.2
5,547,088 A *	8/1996	Belokin et al.	211/87.01
5,641,083 A *	6/1997	Metcalf	211/187
D416,722 S *	11/1999	Hartwall	D6/511
D423,857 S *	5/2000	Shea	D6/566
D457,014 S *	5/2002	Miller	D6/462
D499,922 S *	12/2004	Anderson et al.	D6/566
7,048,131 B2 *	5/2006	Gay et al.	211/187
7,128,221 B2 *	10/2006	Metcalf	211/59.2

OTHER PUBLICATIONS

U.S. Appl. No. 11/419,004, filed May 18, 2006, Battaglia, et al.

“Display Shelving Components” by Lozier Corporation, found at <http://www.lozier.com/mod5-ic.htm>, dated Nov. 18, 2005.

* cited by examiner

Primary Examiner—Caron D. Veynar

Assistant Examiner—Sydney R Buffalow

(74) *Attorney, Agent, or Firm*—Colin P. Cahoon; Carstens & Cahoon LLP

(57) **CLAIM**

The ornamental design for a display rack, as shown and described.

DESCRIPTION

FIG. 1 is a perspective view of the display rack of the present invention;

FIG. 2 is a front elevation view of the display rack of the present invention;

FIG. 3 is a left elevation view of the display rack of the present invention;

FIG. 4 is a right elevation view of the display rack of the present invention;

FIG. 5 is a rear elevation view of the display rack of the present invention;

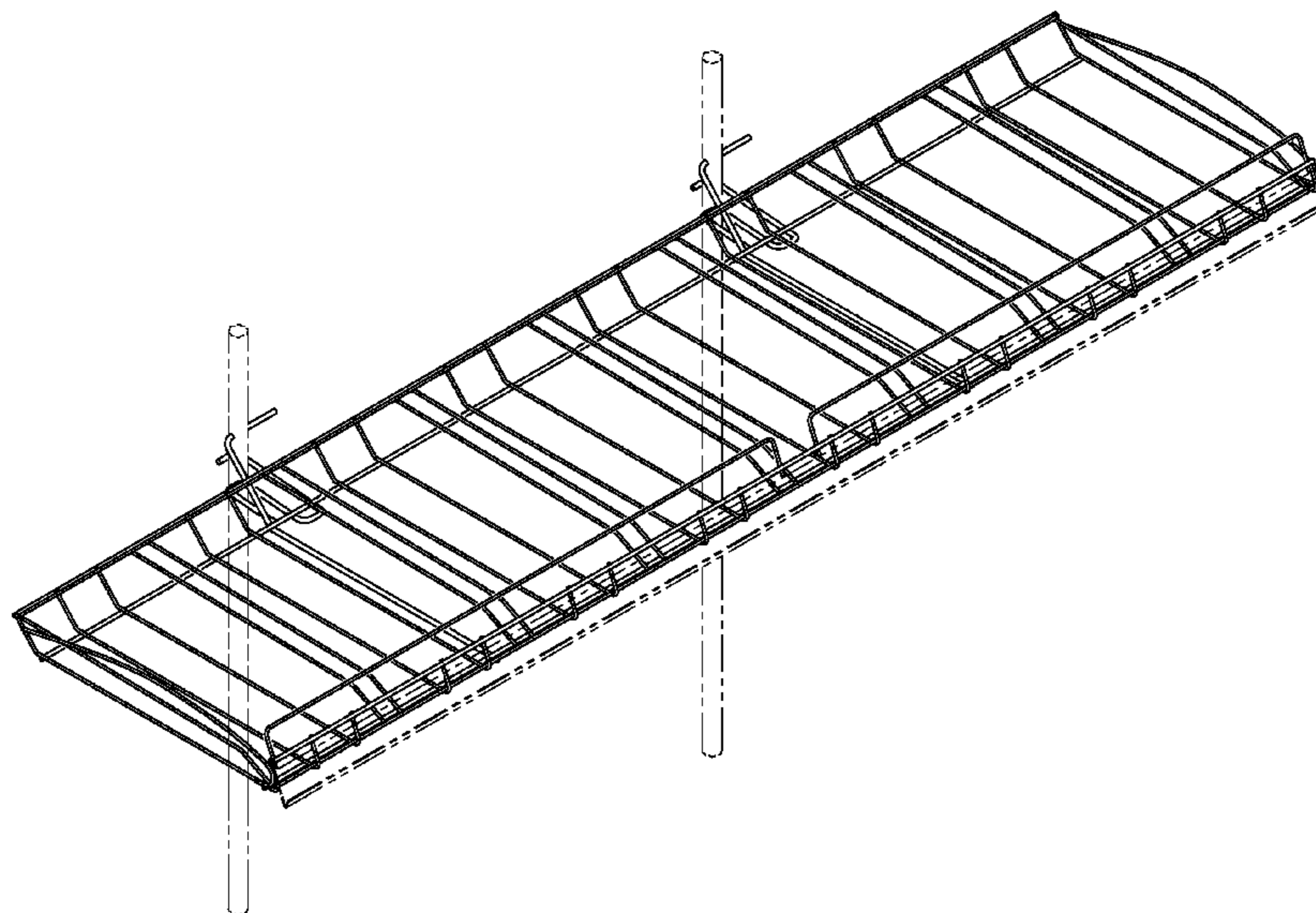
FIG. 6 is a top plan view of the display rack of the present invention; and,

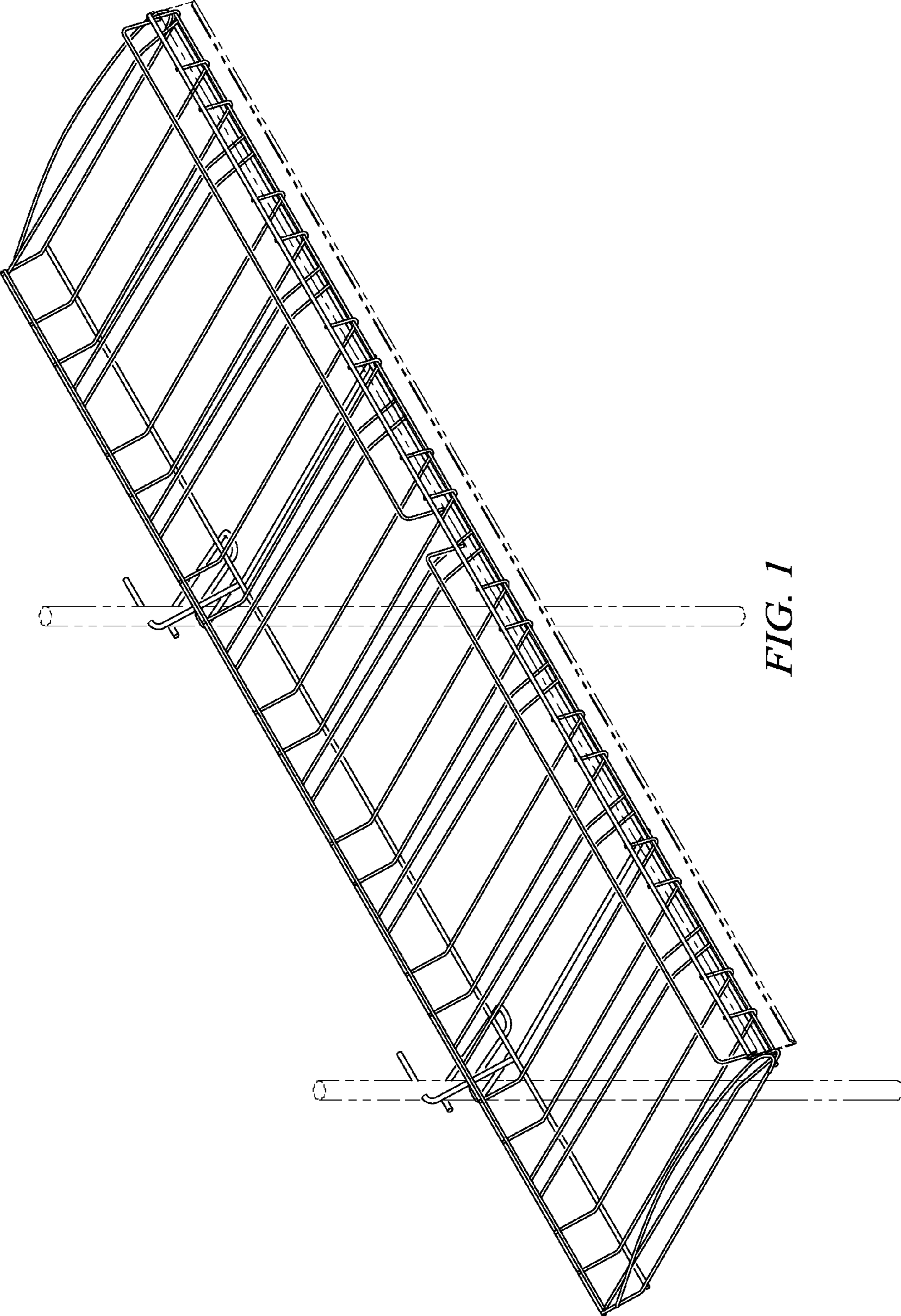
FIG. 7 is a bottom plan view of the display rack of the present invention.

The broken line showing of supporting structure in FIG. 1 is for illustrative purposes only and forms no part of the claimed design.

The broken line showing of a channel strip attached to the front of the display rack in FIGS. 1-7 is for illustrative purposes only and forms no part of the claimed design.

1 Claim, 4 Drawing Sheets





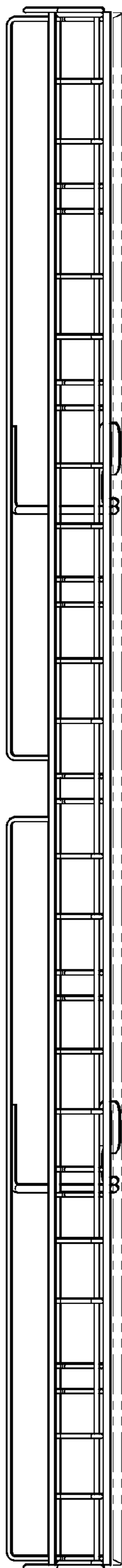


FIG. 2

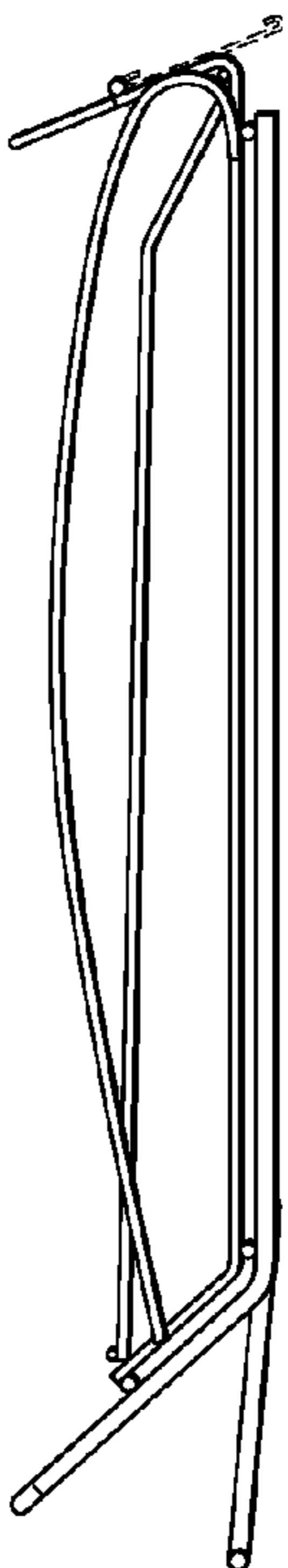


FIG. 4

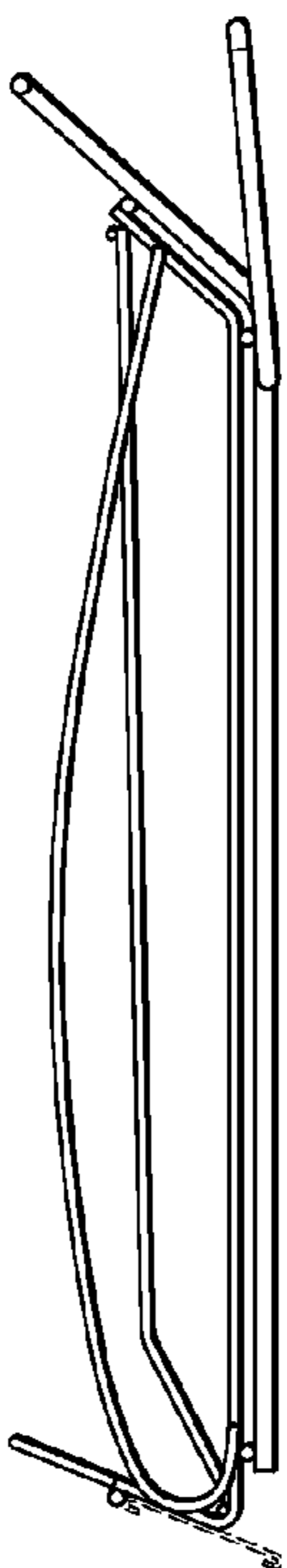


FIG. 3

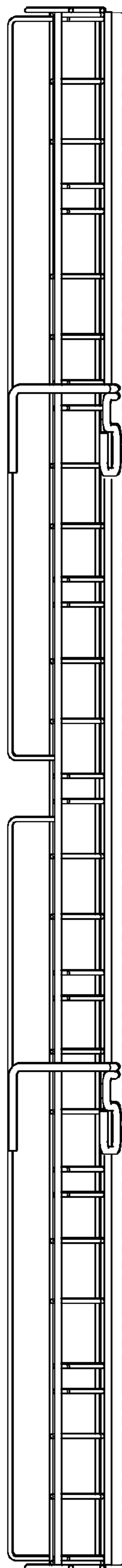


FIG. 5

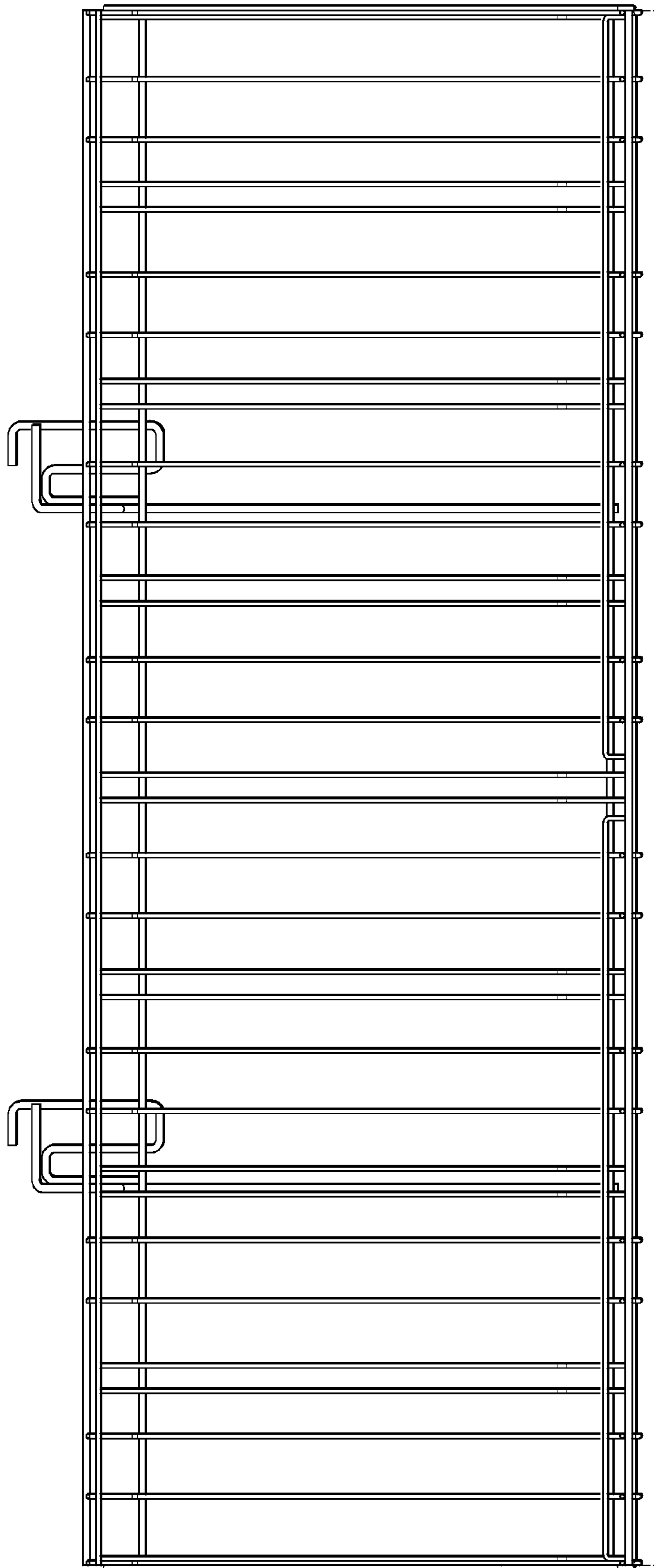


FIG. 6

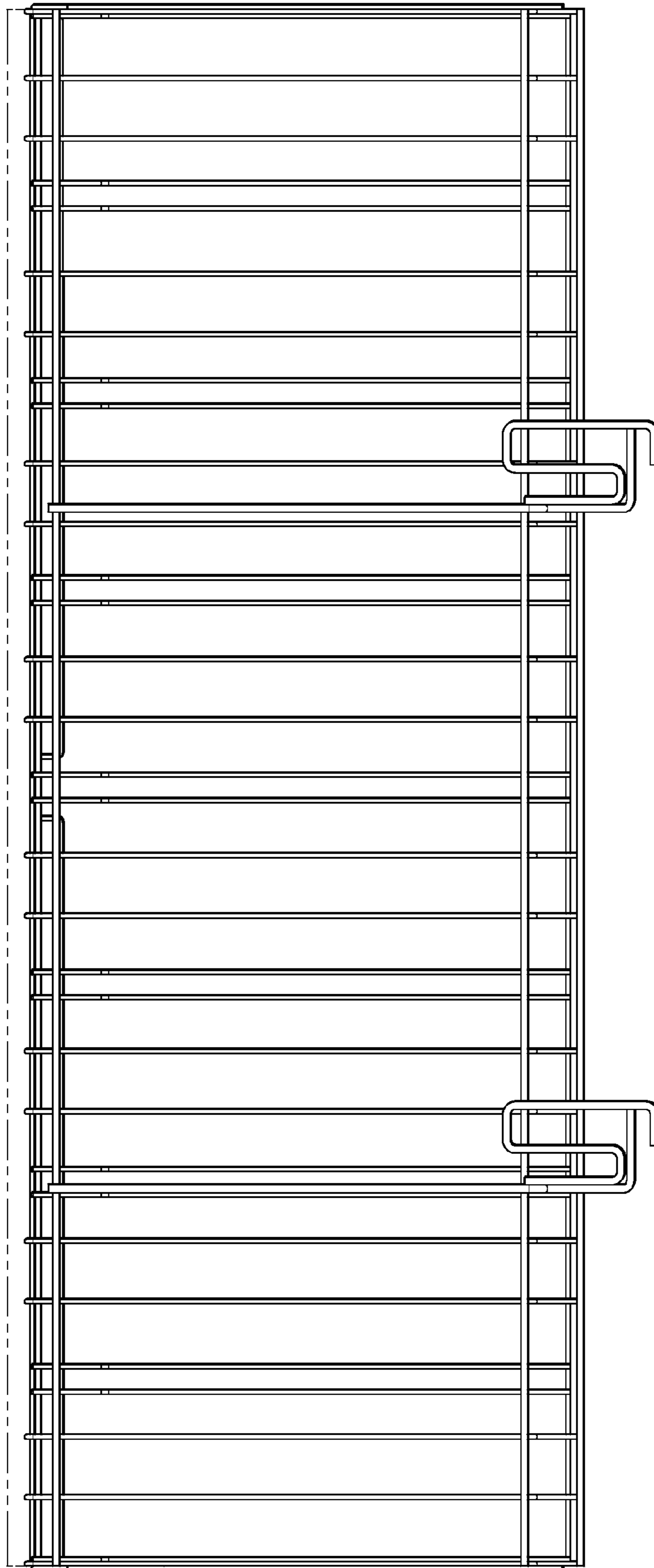


FIG. 7