



US00D585209S

(12) **United States Design Patent**  
**Skalka**

(10) **Patent No.:** **US D585,209 S**  
(45) **Date of Patent:** **\*\* Jan. 27, 2009**

- (54) **BENCH**
- (75) Inventor: **Gerald Skalka**, Potomac, MD (US)
- (73) Assignee: **Victor Stanley, Inc.**, Dunkirk, MD (US)
- (\*\*) Term: **14 Years**
- (21) Appl. No.: **29/309,188**
- (22) Filed: **Jul. 3, 2008**

D474,618 S *	5/2003	Arnold et al. ....	D6/370
D482,550 S	11/2003	Kane	
D522,775 S	6/2006	Skalka	
D523,650 S	6/2006	Skalka	
D526,805 S	8/2006	Skalka	
D530,534 S	10/2006	Skalka	
D532,620 S	11/2006	Skalka	
D536,184 S	2/2007	Skalka	

\* cited by examiner

*Primary Examiner*—Sandra Snapp  
(74) *Attorney, Agent, or Firm*—Jacobson Holman PLLC

**Related U.S. Application Data**

- (62) Division of application No. 29/290,548, filed on Dec. 14, 2007.

- (51) **LOC (9) Cl.** ..... **06-01**
- (52) **U.S. Cl.** ..... **D6/381**
- (58) **Field of Classification Search** ..... D6/334,  
D6/349, 355, 357, 367, 368, 370, 374–381,  
D6/500–502; 297/175, 232, 233, 283.2,  
297/283.3, 445.1, 448.1, 452.12, 452.38,  
297/452.48, 461, 462; 5/12.1, 12.2  
See application file for complete search history.

(56) **References Cited**

**U.S. PATENT DOCUMENTS**

D99,774 S *	5/1936	Birren .....	D6/370
D229,591 S *	12/1973	Trail .....	D6/370
D263,353 S	3/1982	Beals	
D314,677 S	2/1991	Hanna	
D360,538 S *	7/1995	Skalka .....	D6/370
D365,937 S	1/1996	Skalka	
D370,570 S *	6/1996	Green et al. ....	D6/370
D386,012 S	11/1997	Skalka	
D423,239 S *	4/2000	Hornyak .....	D6/355
D424,315 S *	5/2000	Jeng .....	D6/370
6,139,110 A *	10/2000	Jeng .....	297/452.39
D440,060 S *	4/2001	Slear .....	D6/349
D446,399 S *	8/2001	Slear .....	D6/370
D457,738 S *	5/2002	Slear et al. ....	D6/355
D465,936 S *	11/2002	Arnold .....	D6/349

(57) **CLAIM**

The ornamental design for a bench, as shown and described.

**DESCRIPTION**

FIG. 1 is an isometric view of a first embodiment of a bench showing my new design.

FIG. 2 is a right side elevational view of the bench of FIG. 1, the left side elevational view being a mirror image thereof.

FIG. 3 is a front elevational view of the bench of FIG. 1.

FIG. 4 is a top plan view of the bench of FIG. 1.

FIG. 5 is a back elevational view of the bench of FIG. 1.

FIG. 6 is a bottom plan view of the bench of FIG. 1.

FIG. 7 is an isometric view of a second embodiment of a bench showing my new design.

FIG. 8 is a right side elevational view of the bench of FIG. 7, the left side elevational view being a mirror image thereof.

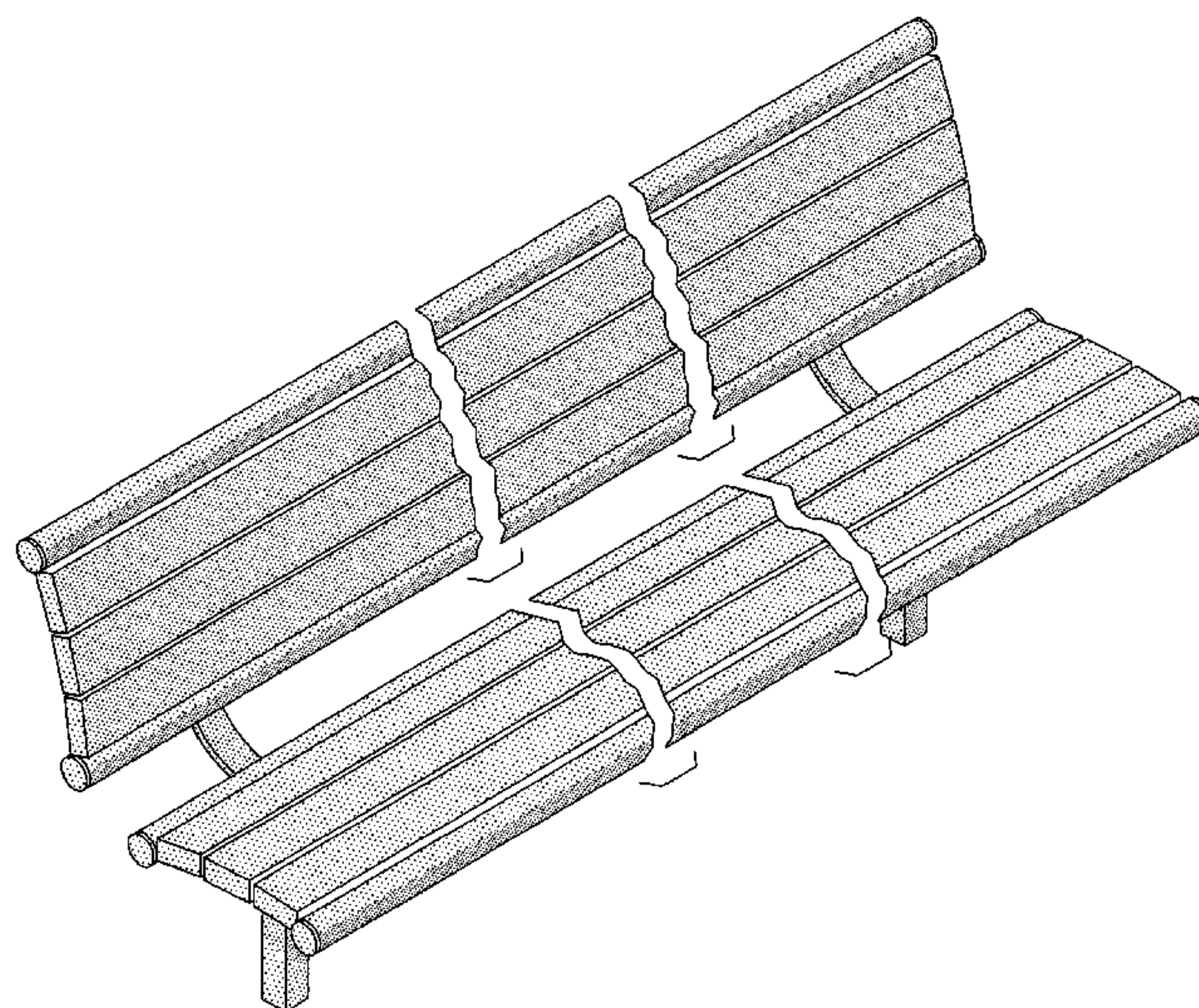
FIG. 9 is a front elevational view of the bench of FIG. 7.

FIG. 10 is a top plan view of the bench of FIG. 7.

FIG. 11 is a back elevational view of the bench of FIG. 7; and, FIG. 12 is a bottom plan view of the bench of FIG. 7.

The bench is shown broken-away transversely in the various views to indicate that a specific length forms no part of the claimed design.

**1 Claim, 6 Drawing Sheets**





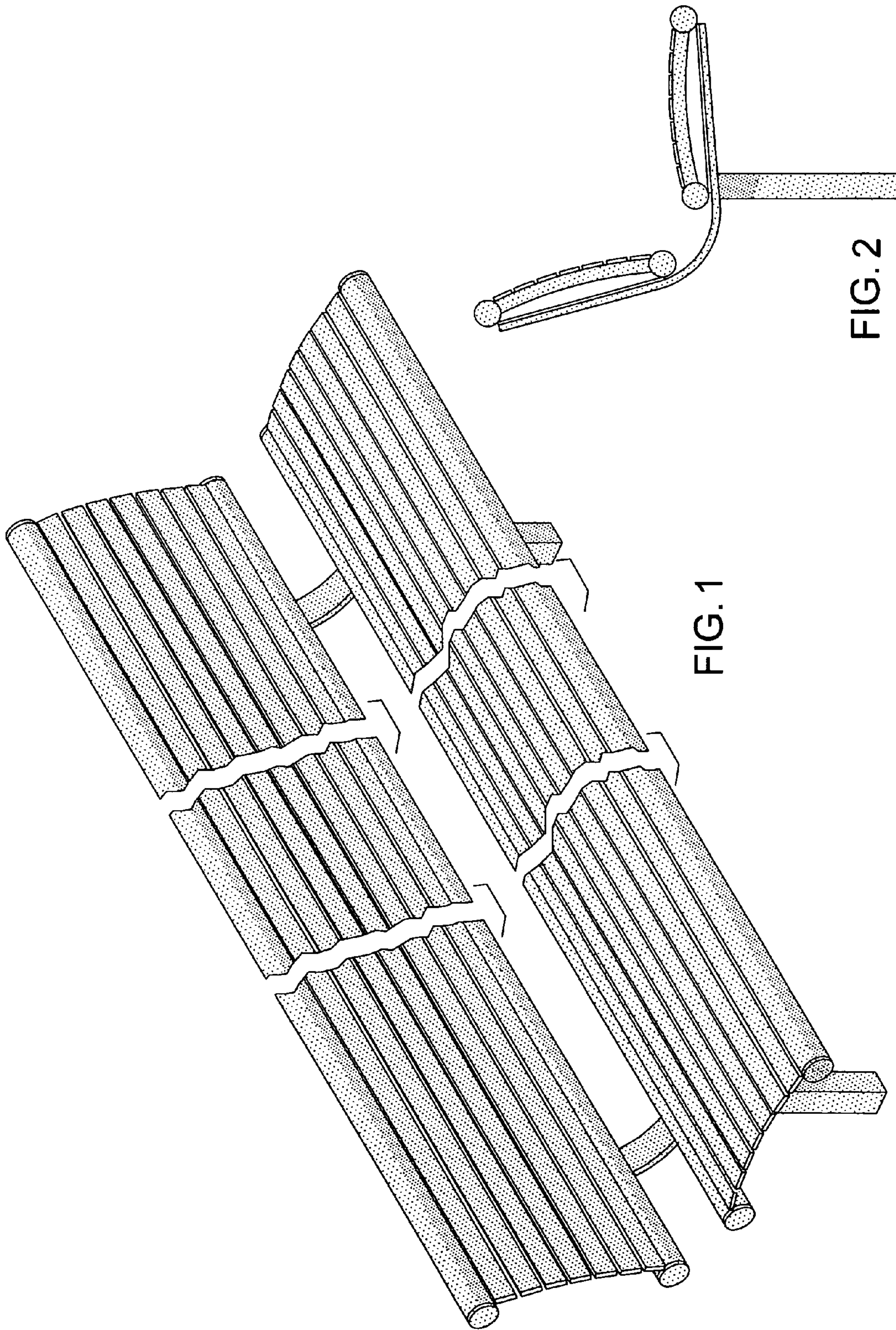
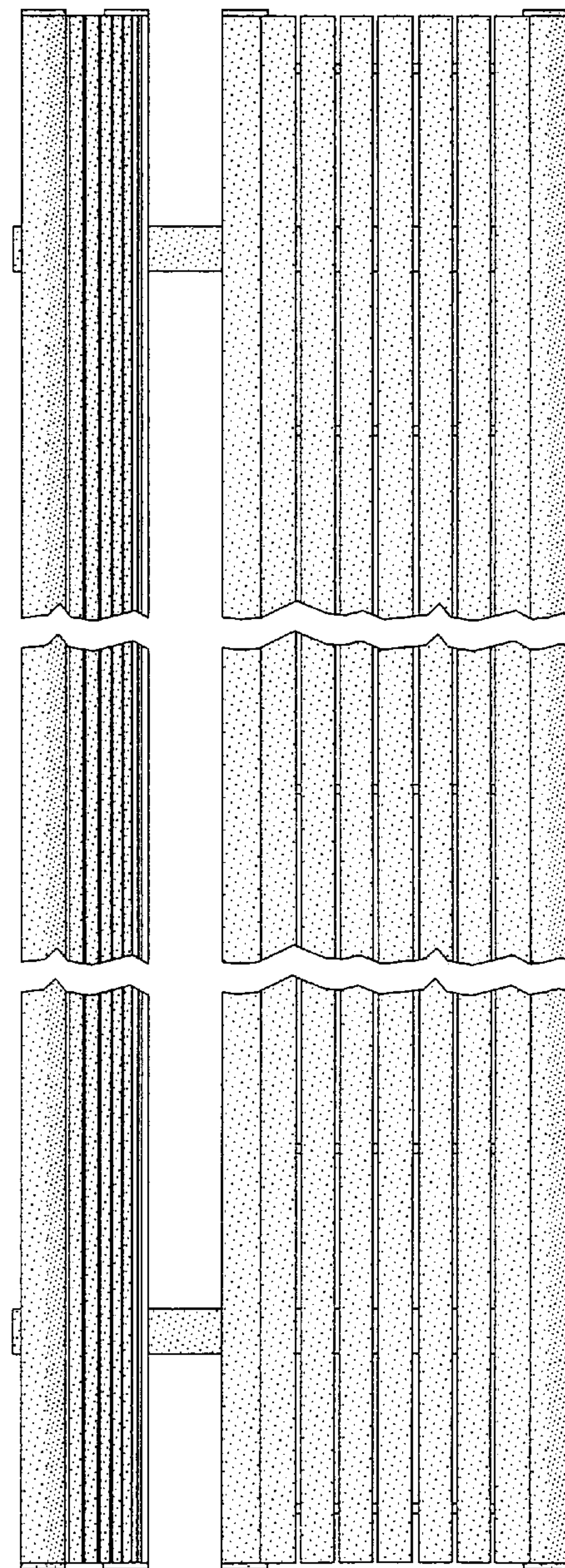
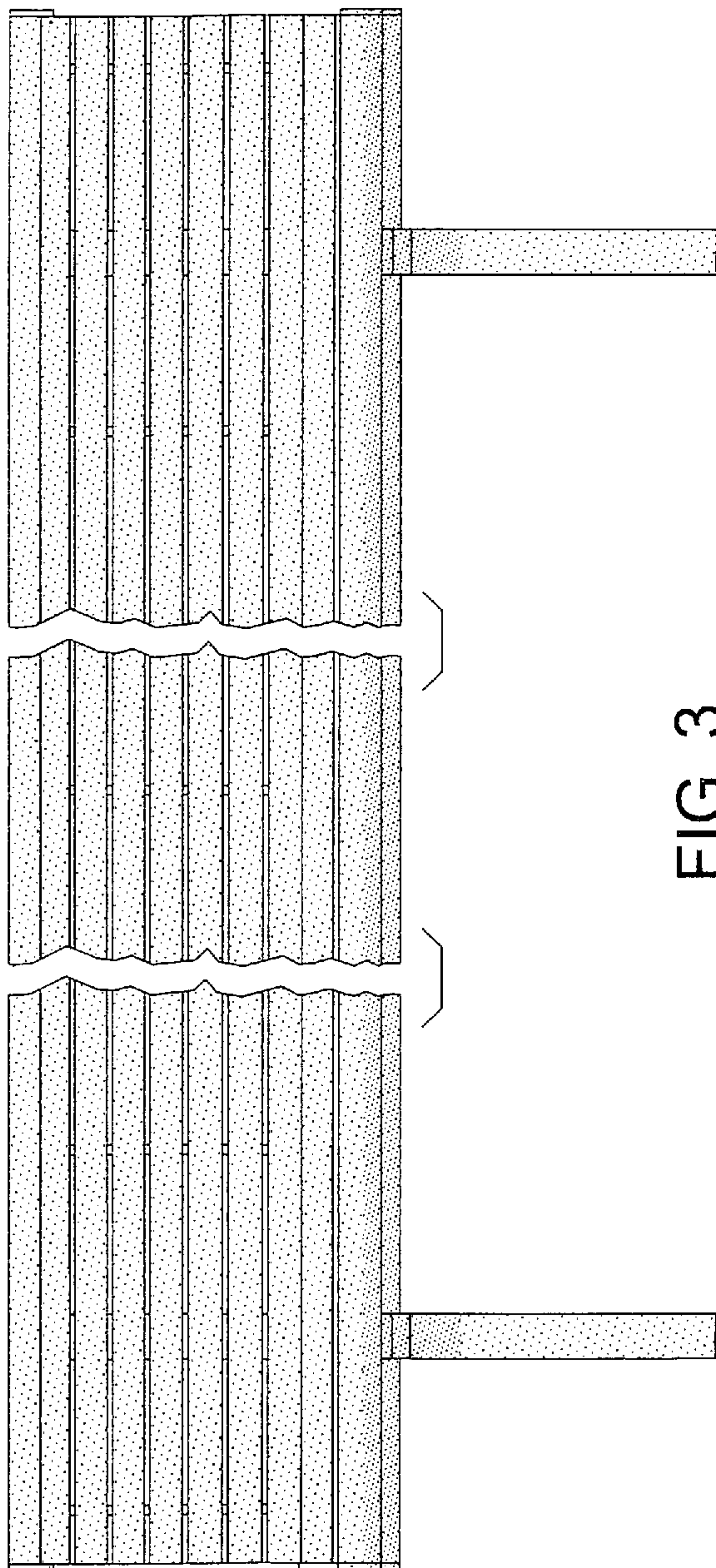


FIG. 1

FIG. 2





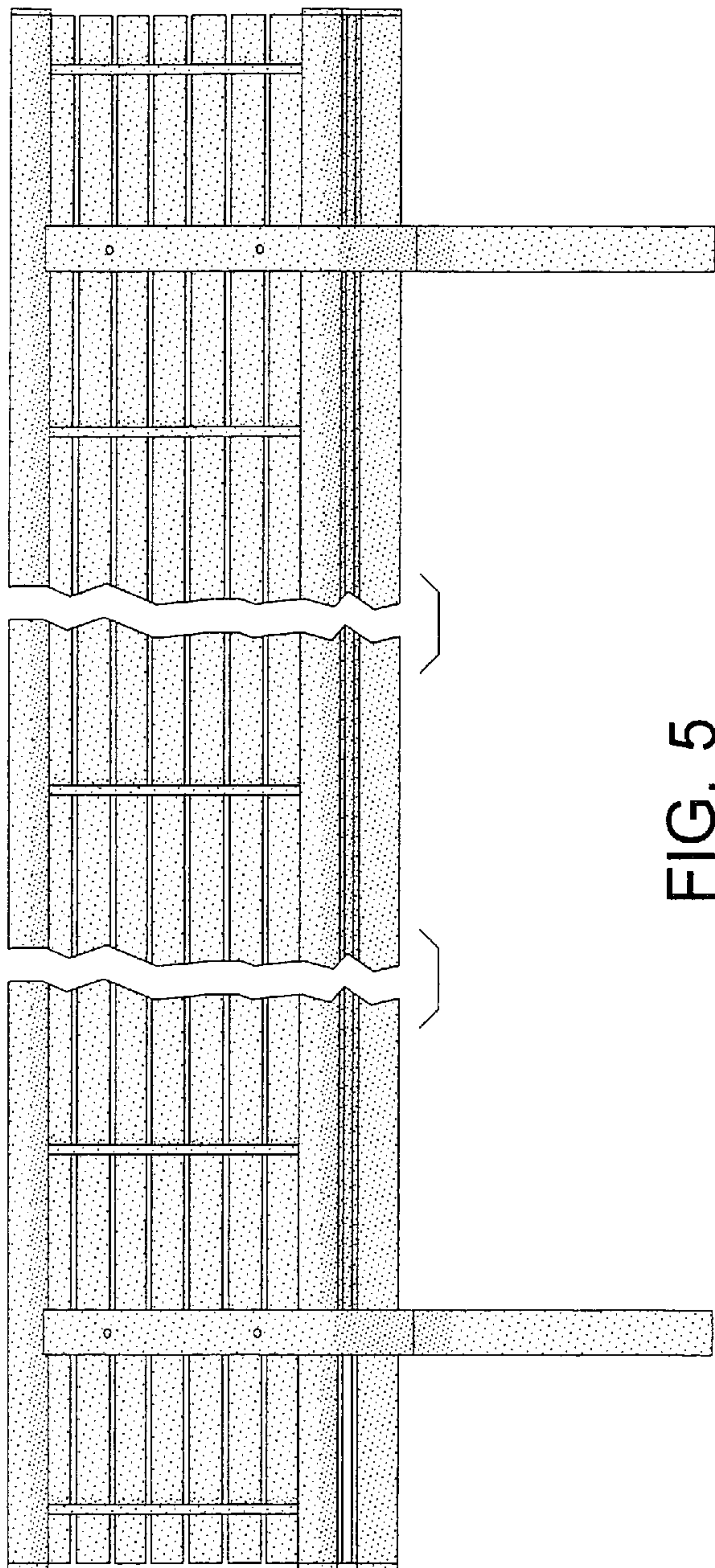


FIG. 5

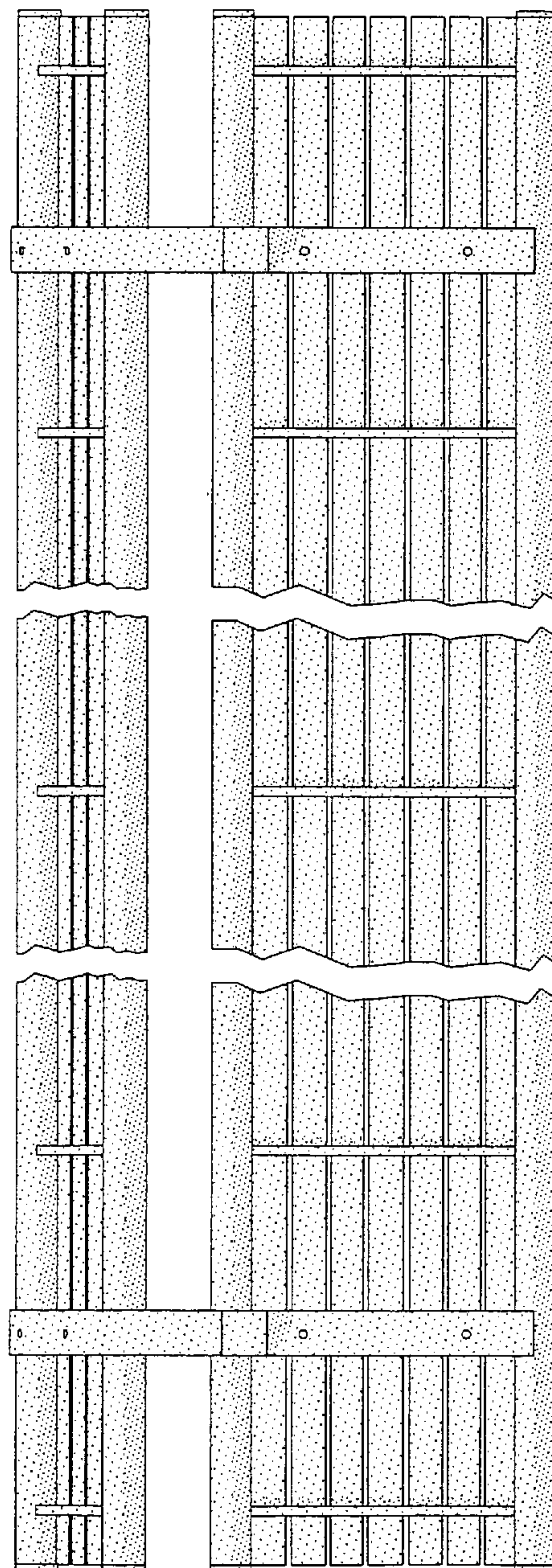


FIG. 6



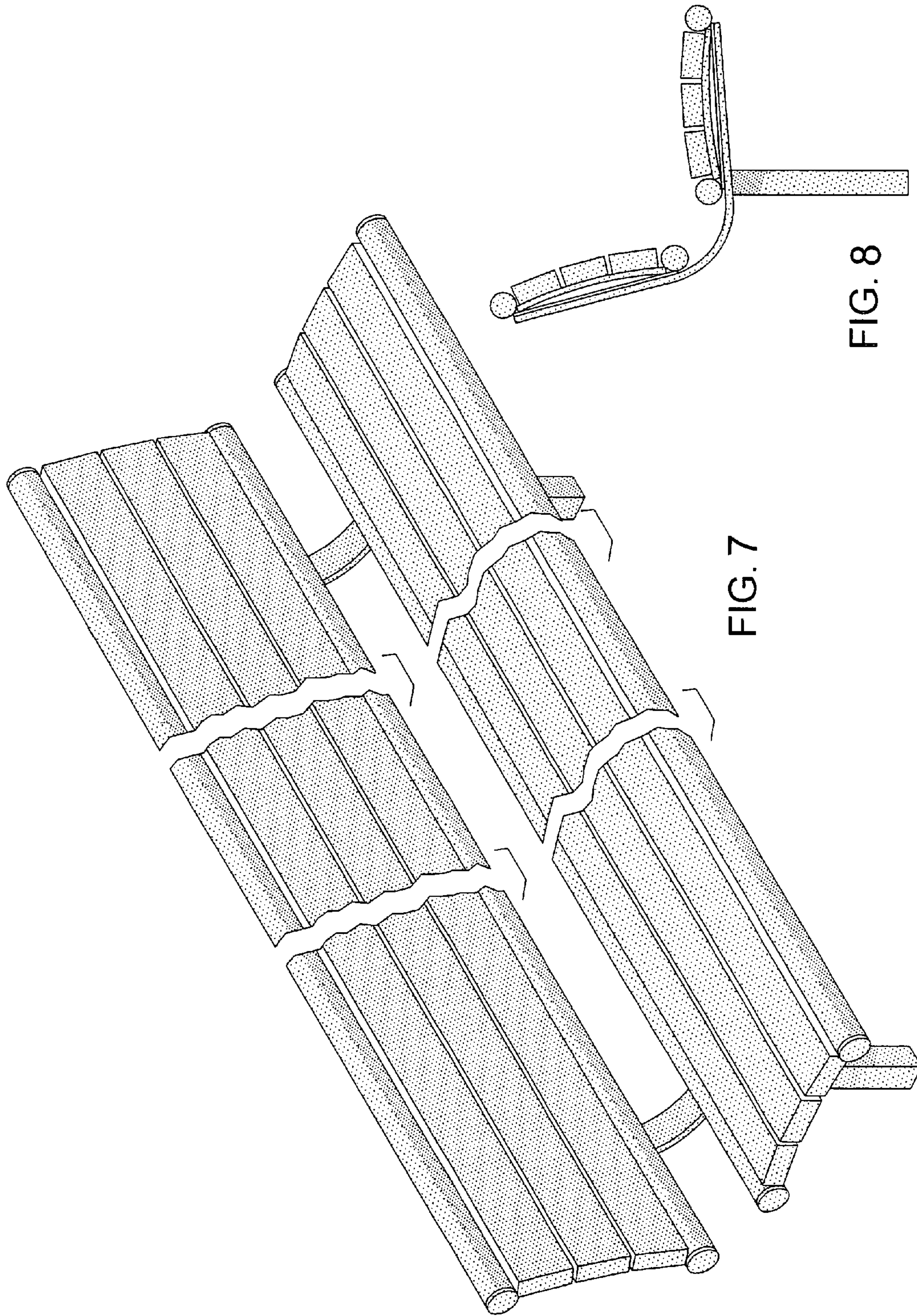


FIG. 7

FIG. 8



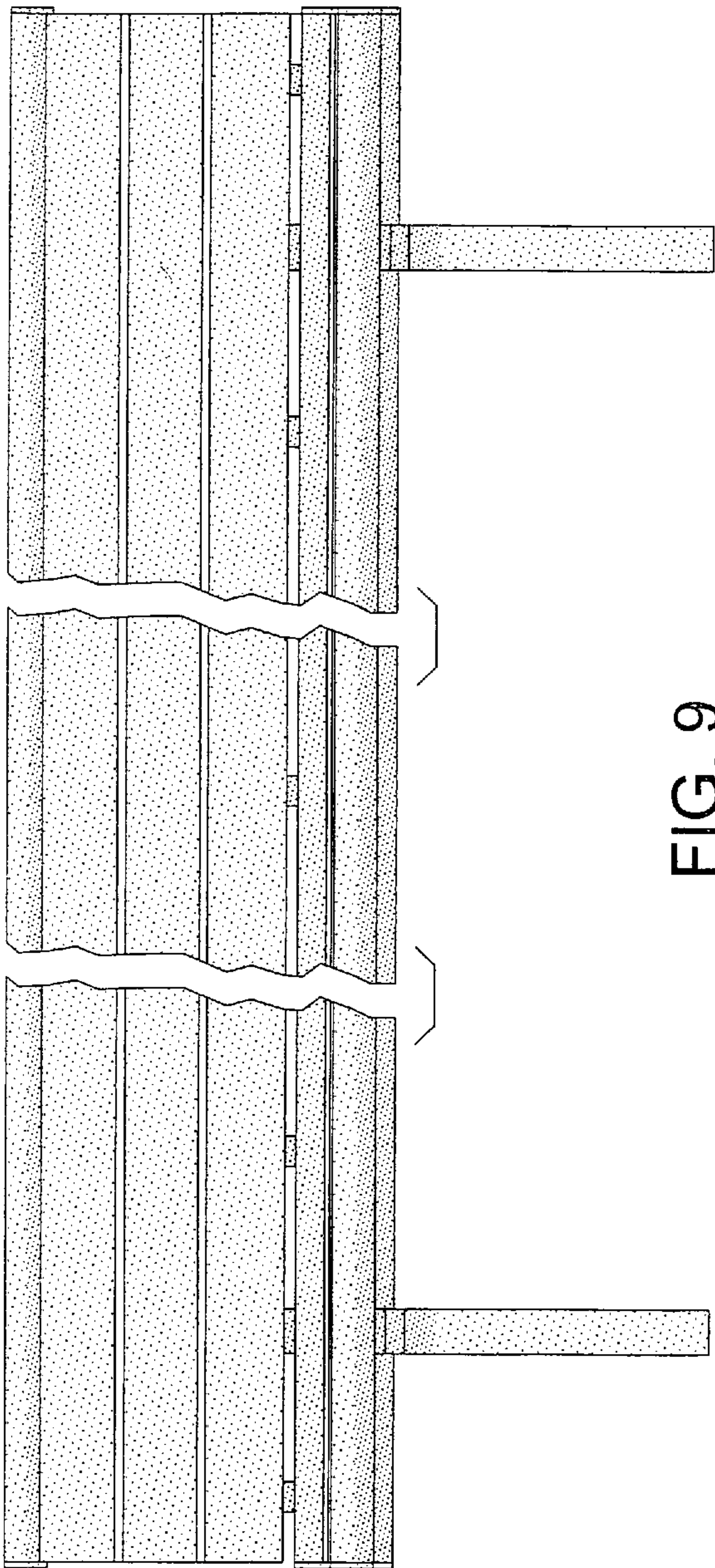


FIG. 9

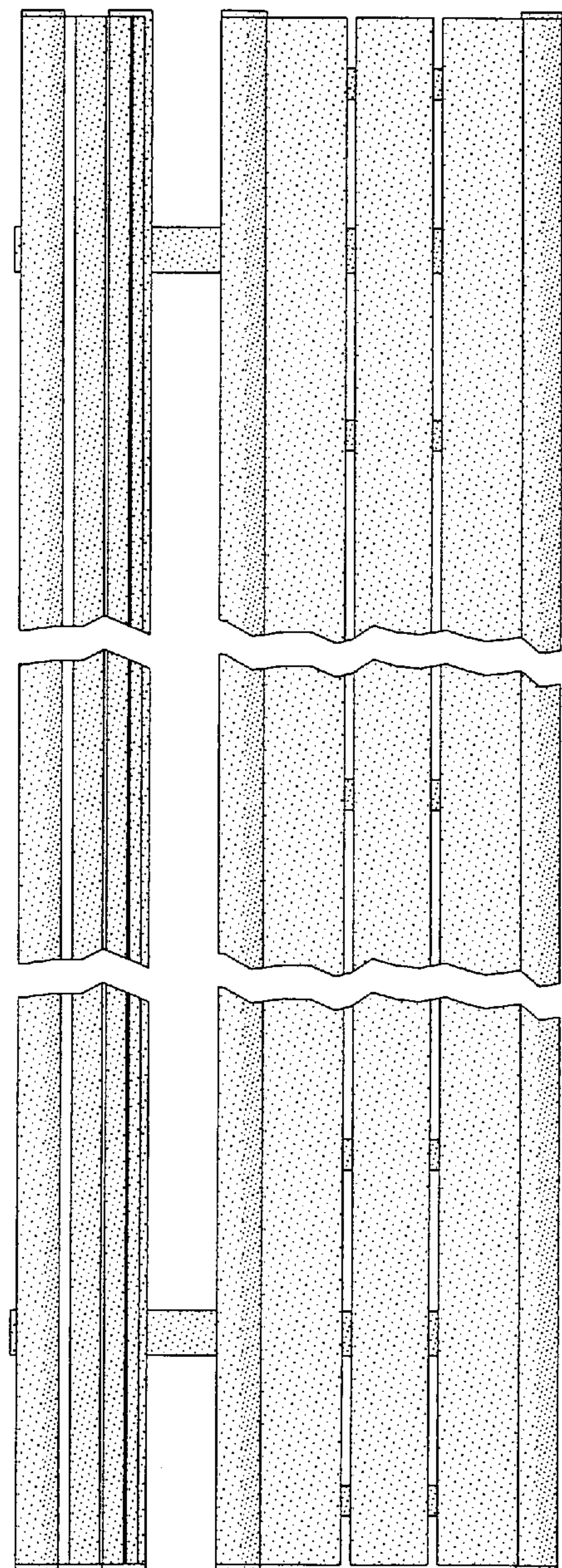


FIG. 10

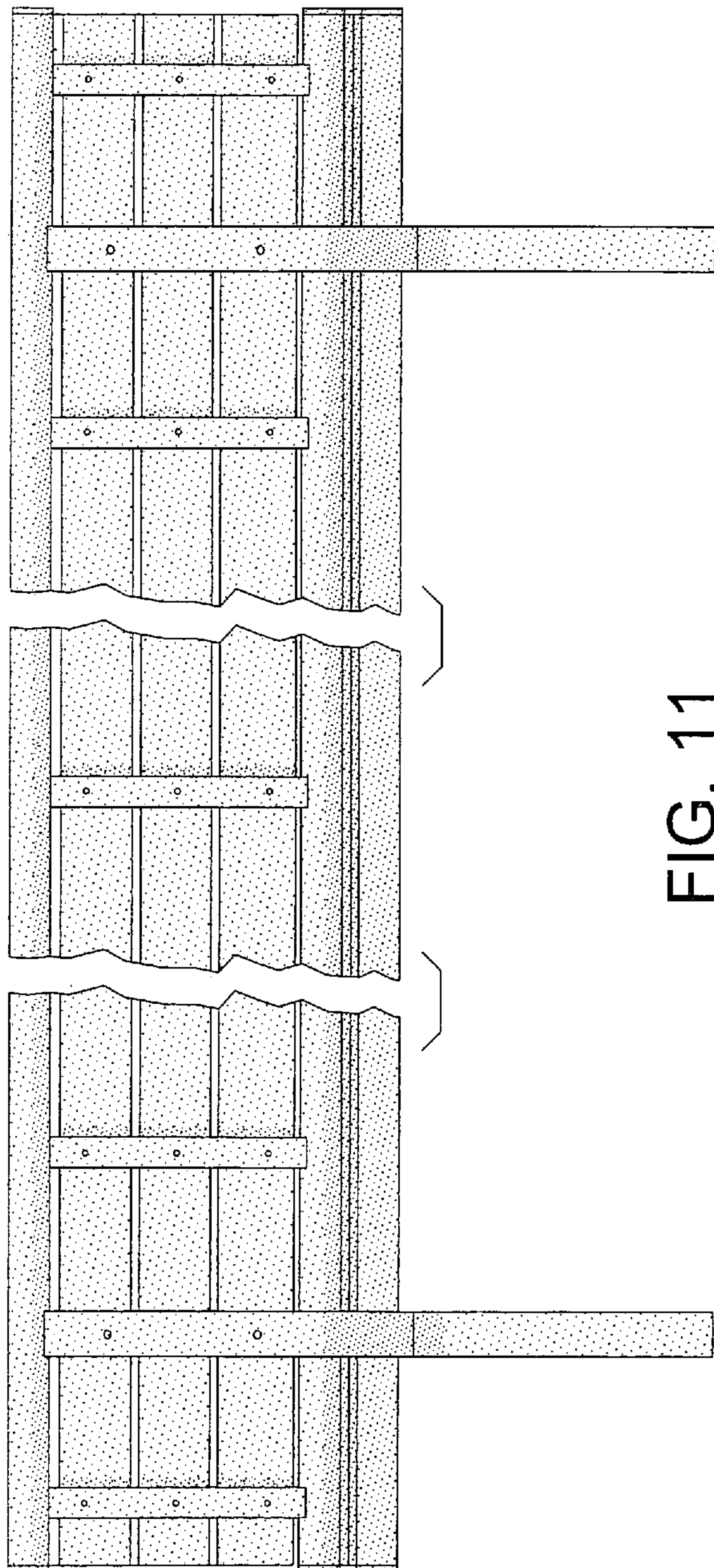


FIG. 11

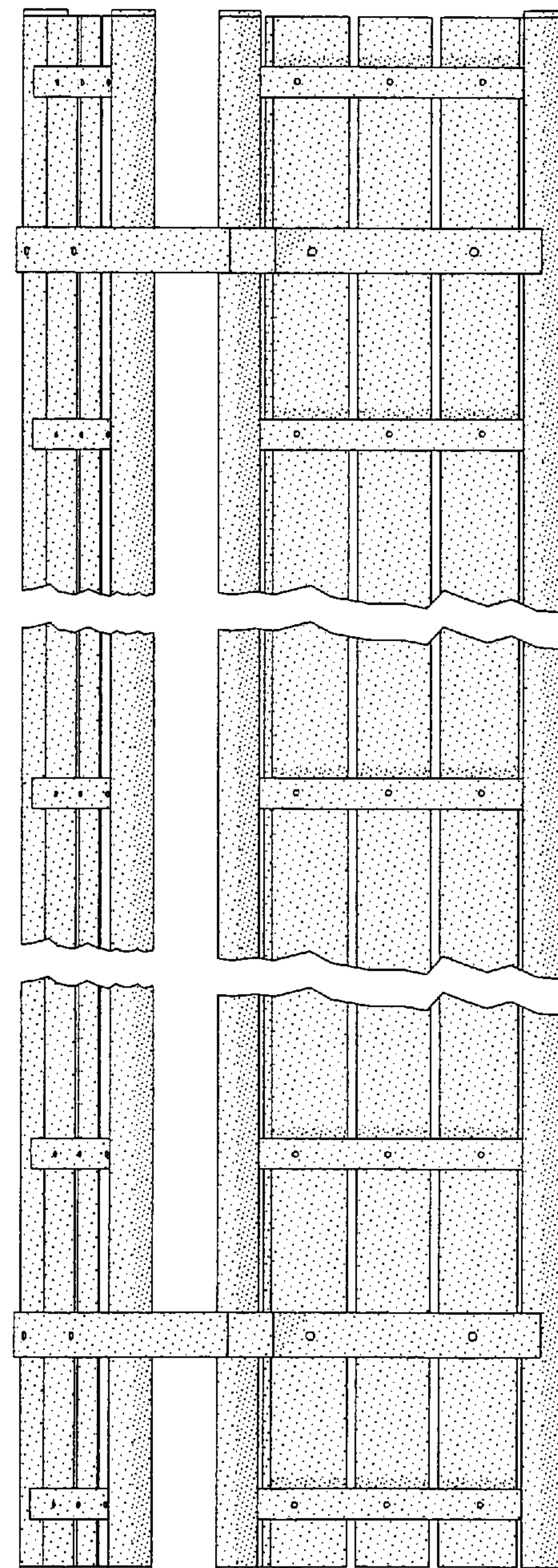


FIG. 12