



US00D585205S

(12) **United States Design Patent**
Wen

(10) **Patent No.:** **US D585,205 S**
(45) **Date of Patent:** **** Jan. 27, 2009**

(54) **FRAME OF THE OFFICE CHAIR**
(75) Inventor: **Ming-Hung Wen**, Min-Shiung-Shiang
(TW)

D549,976 S * 9/2007 Lin D6/366
D552,857 S * 10/2007 Wang D6/366
D568,624 S * 5/2008 Wen D6/366
D576,416 S * 9/2008 Su D6/366

(73) Assignee: **Hurung Taih Plastic Master Batch Co., Ltd.**, Chiayi County (TW)

* cited by examiner

(**) Term: **14 Years**

Primary Examiner—Mimosa De
(74) *Attorney, Agent, or Firm*—Alan Kamrath; Kamrath & Associates PA

(21) Appl. No.: **29/305,737**

(57) **CLAIM**

(22) Filed: **Mar. 27, 2008**

The ornamental design for a frame of the office chair, as shown and described.

(51) **LOC (9) Cl.** **06-01**

(52) **U.S. Cl.** **D6/366**

(58) **Field of Classification Search** D6/334-336,
D6/364, 365, 366, 367, 368, 369, 374, 379,
D6/380, 500-502; 297/391, 393, 396, 411.2,
297/411.27, 452.13, 452.18, 452.2, 452.3,
297/452.21, 452.29, 452.48, 452.56, 452.64
See application file for complete search history.

DESCRIPTION

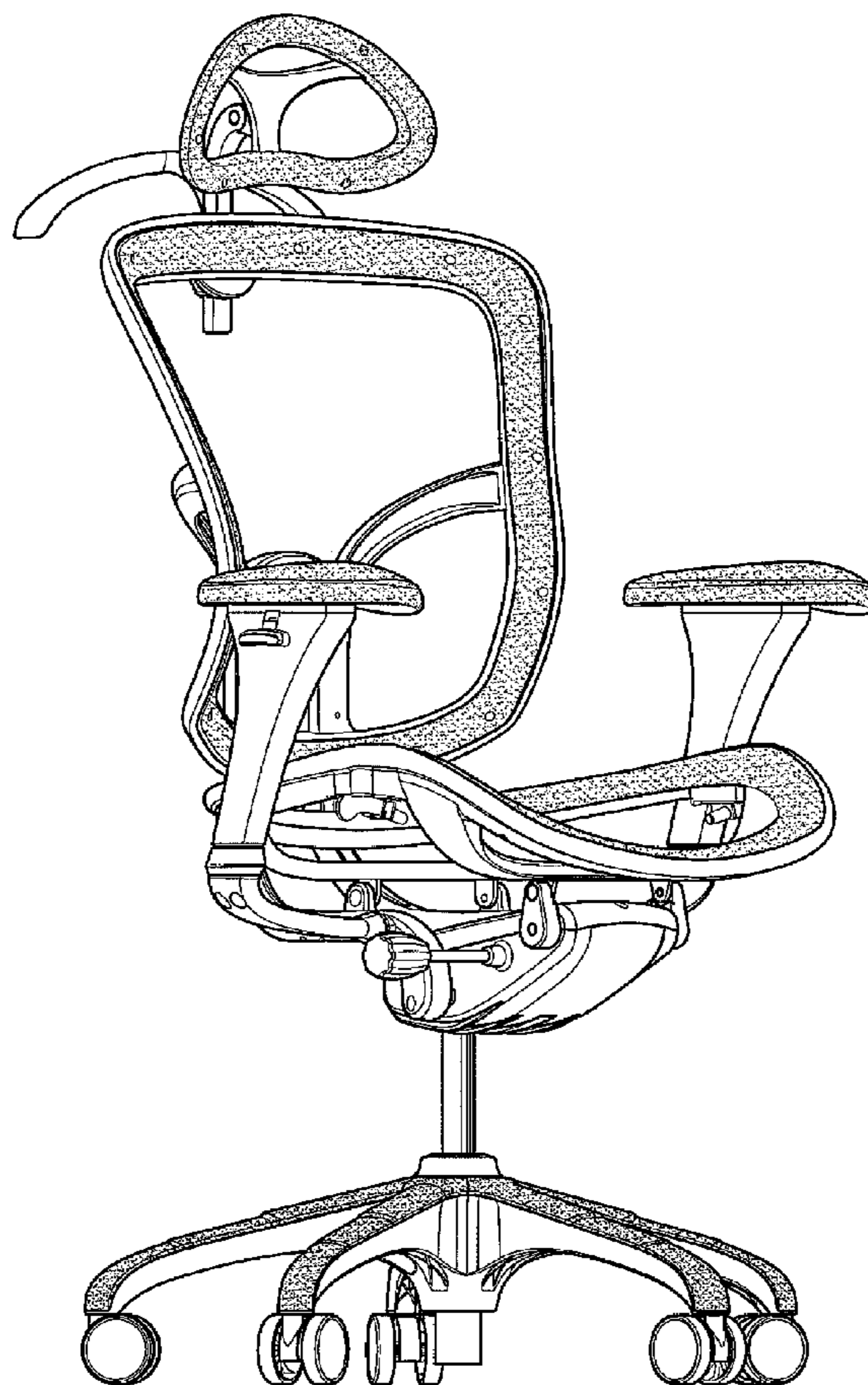
FIG. 1 is a perspective view of a frame of the office chair showing my new design;
FIG. 2 is a front view thereof;
FIG. 3 is a rear view thereof;
FIG. 4 is a left side elevational view thereof;
FIG. 5 is a right side elevational view thereof; and,
FIG. 6 is a top view thereof with no ornamentation being claimed for a bottom view thereof.

(56) **References Cited**

U.S. PATENT DOCUMENTS

D545,582 S * 7/2007 Wu D6/366
D548,992 S * 8/2007 Koepke et al. D6/366
D548,994 S * 8/2007 Mao et al. D6/366

1 Claim, 6 Drawing Sheets



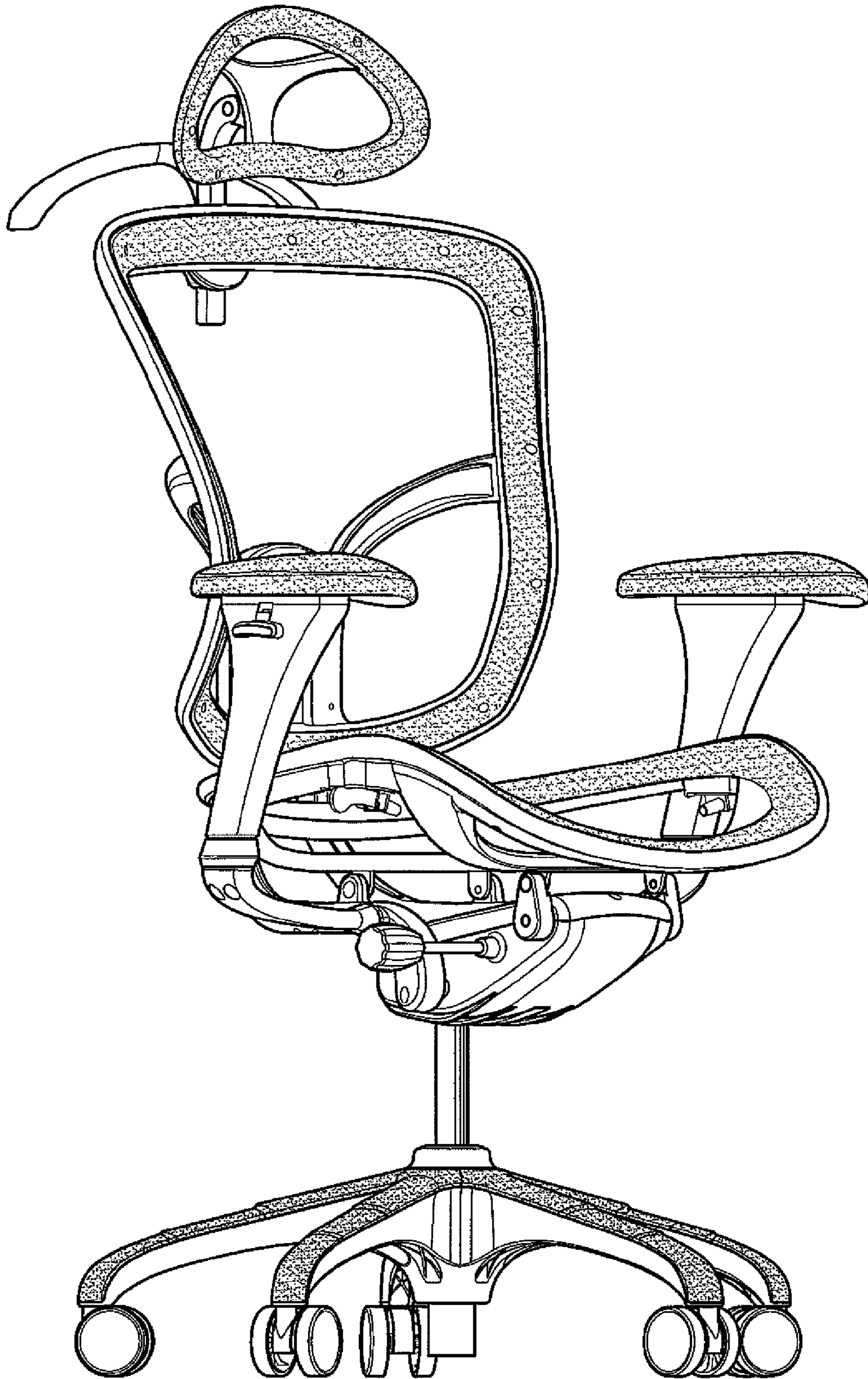


FIG . 1

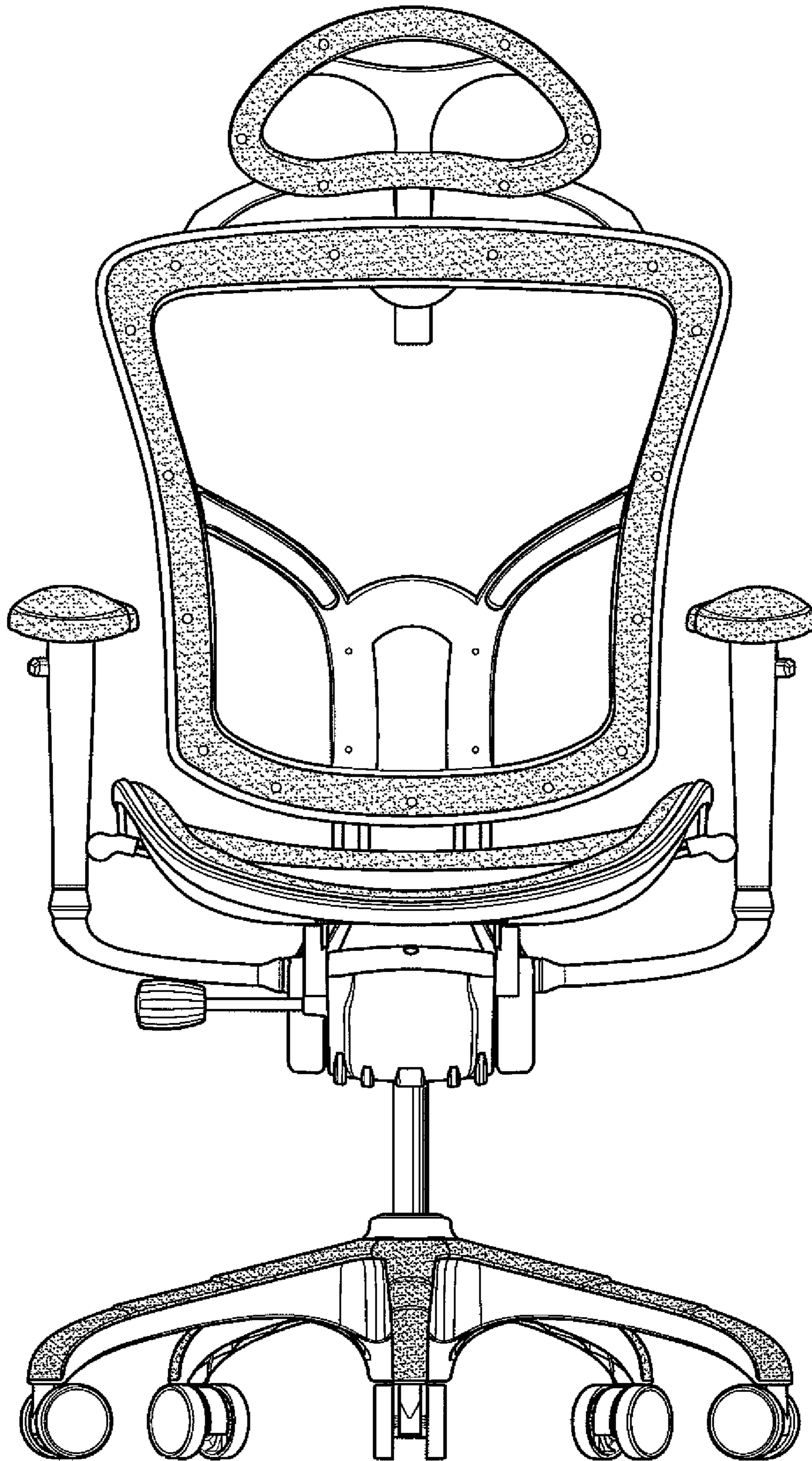


FIG . 2

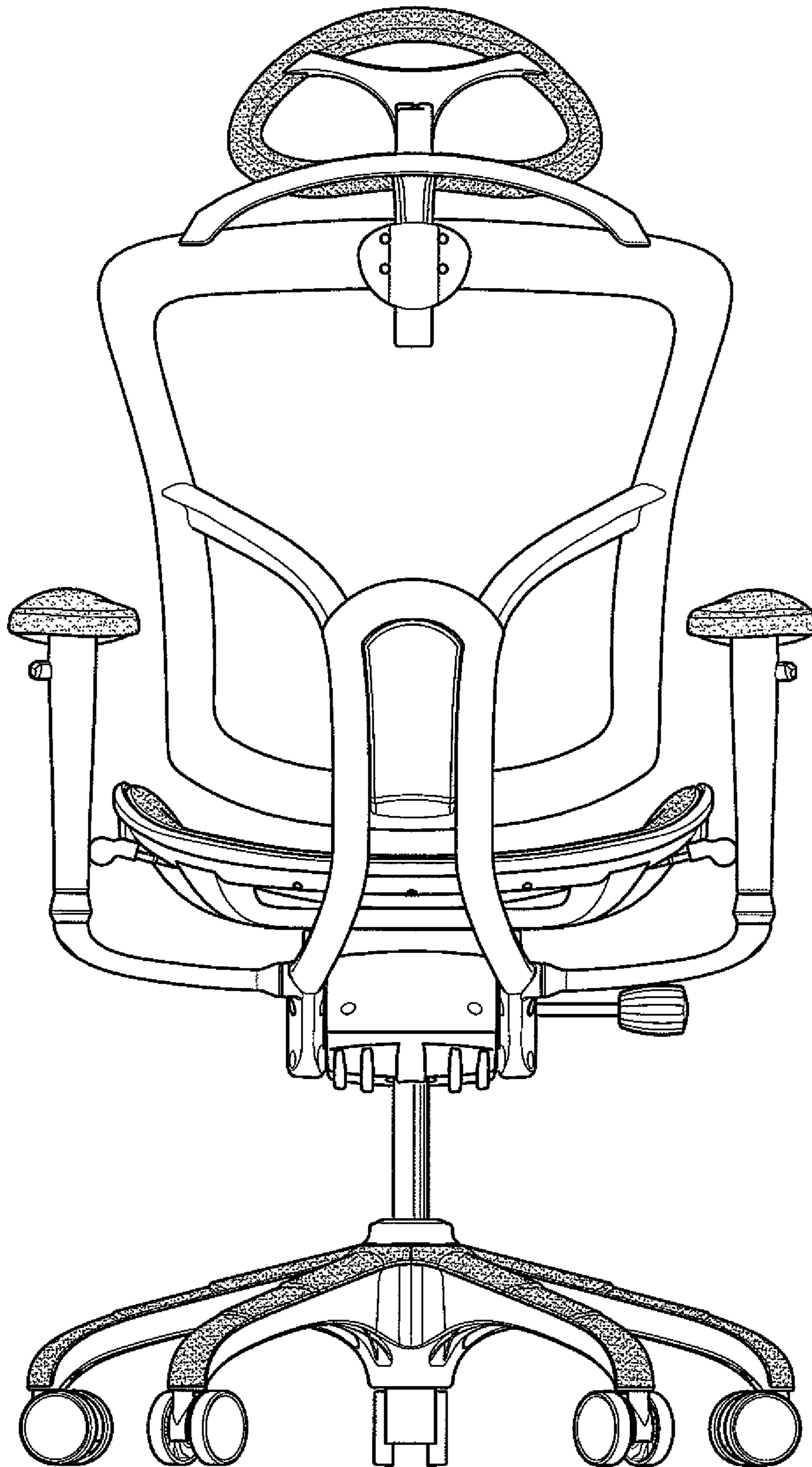


FIG . 3

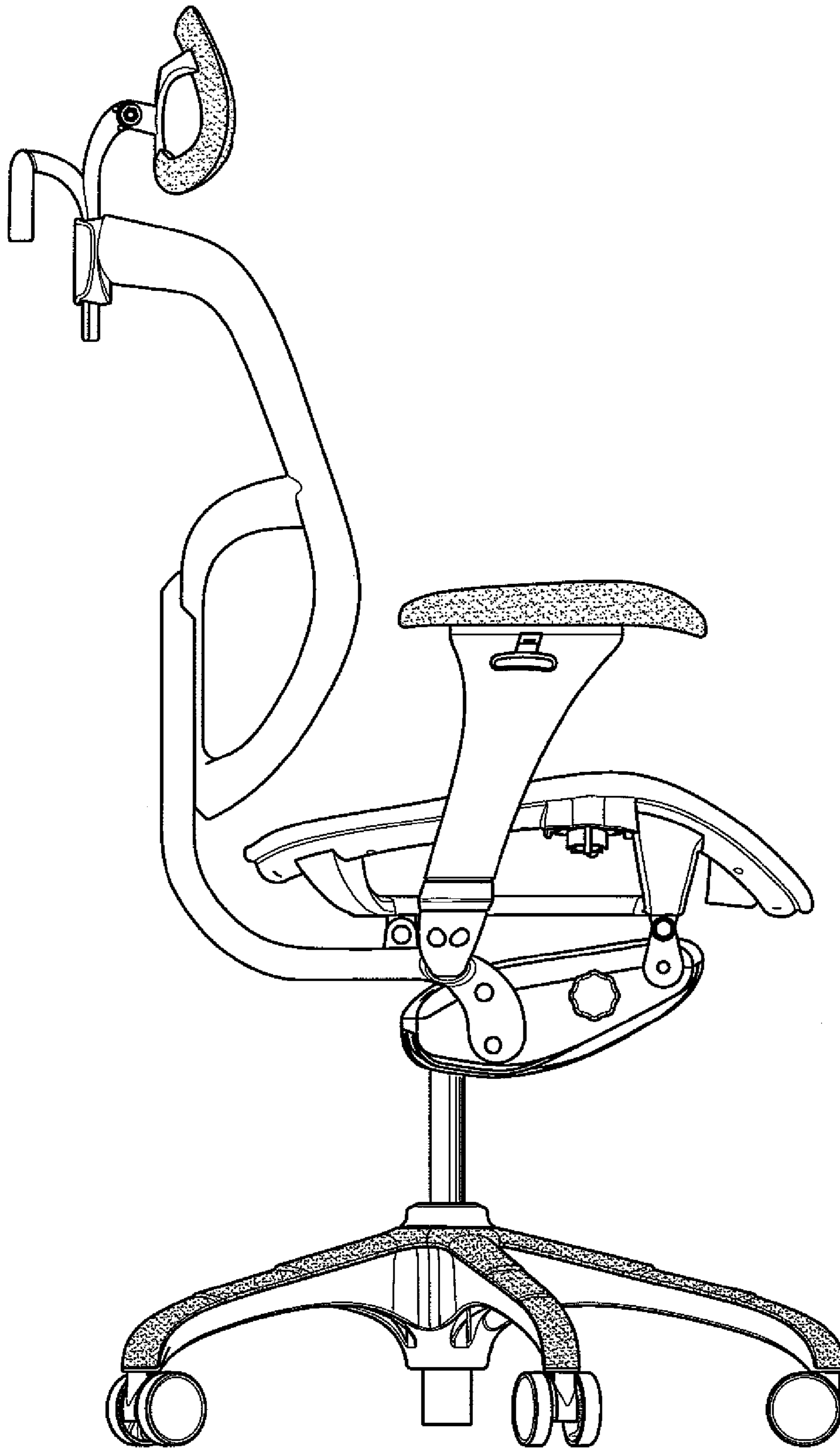


FIG . 4

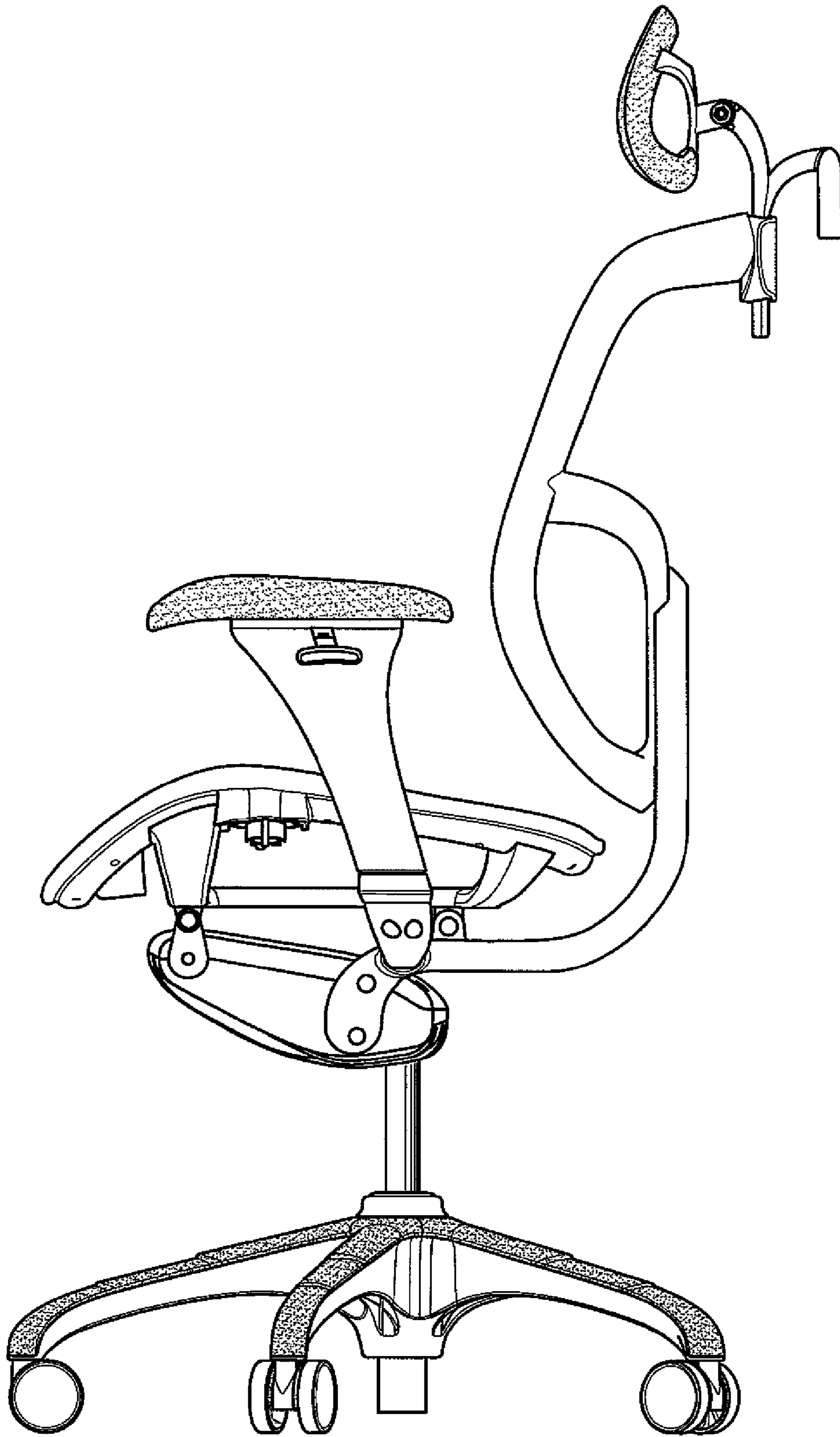


FIG . 5

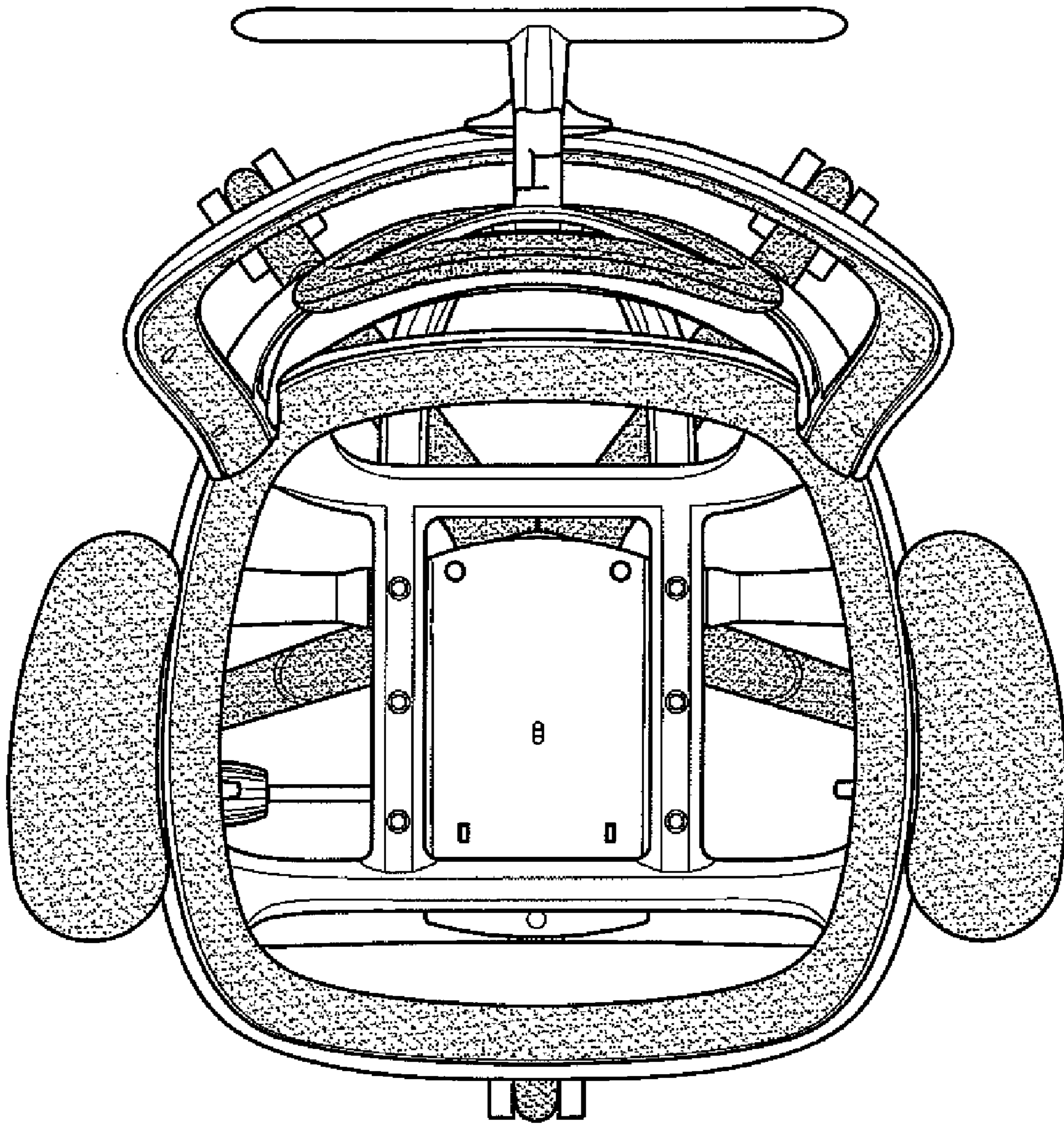


FIG . 6