



US00D585203S

(12) **United States Design Patent**
Moore

(10) **Patent No.:** **US D585,203 S**
(45) **Date of Patent:** **** Jan. 27, 2009**

(54) **BOW AND ARROW CHAIR**

(76) Inventor: **Ron Moore**, 2430 N. Shadow Valley
Ranch Trail, Prescott, AZ (US) 86305

(**) Term: **14 Years**

(21) Appl. No.: **29/283,423**

(22) Filed: **Aug. 14, 2007**

(51) **LOC (9) Cl.** **06-01**

(52) **U.S. Cl.** **D6/358**

(58) **Field of Classification Search** D6/334-336,
D6/358, 368, 370, 376, 379, 380, 500-502;
297/181, 440.1, 440.13, 440.14, 440.18,
297/445.1, 446.1, 452.63

See application file for complete search history.

(56) **References Cited**

U.S. PATENT DOCUMENTS

4,580,834	A *	4/1986	de la Sota Martinez	297/440.18
D352,838	S *	11/1994	Adams	D6/370
D411,923	S *	7/1999	Reese	D6/358
D475,858	S *	6/2003	Stroud	D6/358
2004/0056526	A1 *	3/2004	Willy	297/440.13

* cited by examiner

Primary Examiner—Mimosa De
(74) *Attorney, Agent, or Firm*—Dowell & Dowell, P.C.

(57) **CLAIM**

The ornamental design for a bow and arrow chair, as shown and described.

DESCRIPTION

FIG. 1 is a front perspective view of a bow and arrow chair showing my new design;

FIG. 2 is a front view thereof;

FIG. 3 is a rear view thereof;

FIG. 4 is a right side view thereof, wherein a left side view is a mirror image of the right side view;

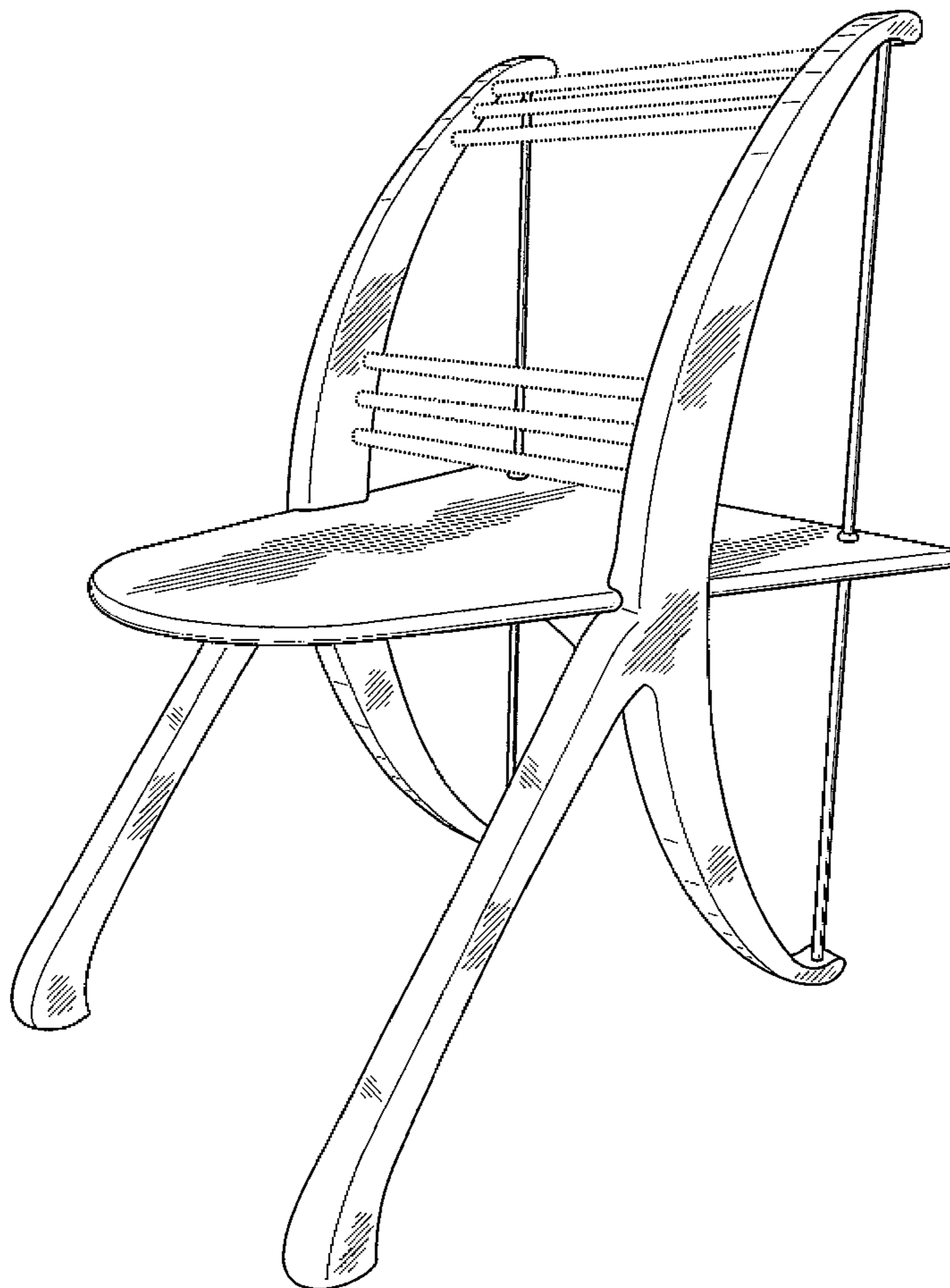
FIG. 5 is a top plan view thereof;

FIG. 6 is a bottom plan view thereof; and,

FIG. 7 is a rear perspective view thereof.

The broken lines showing of the tubular slats on the backrest form no part of the claimed design.

1 Claim, 7 Drawing Sheets



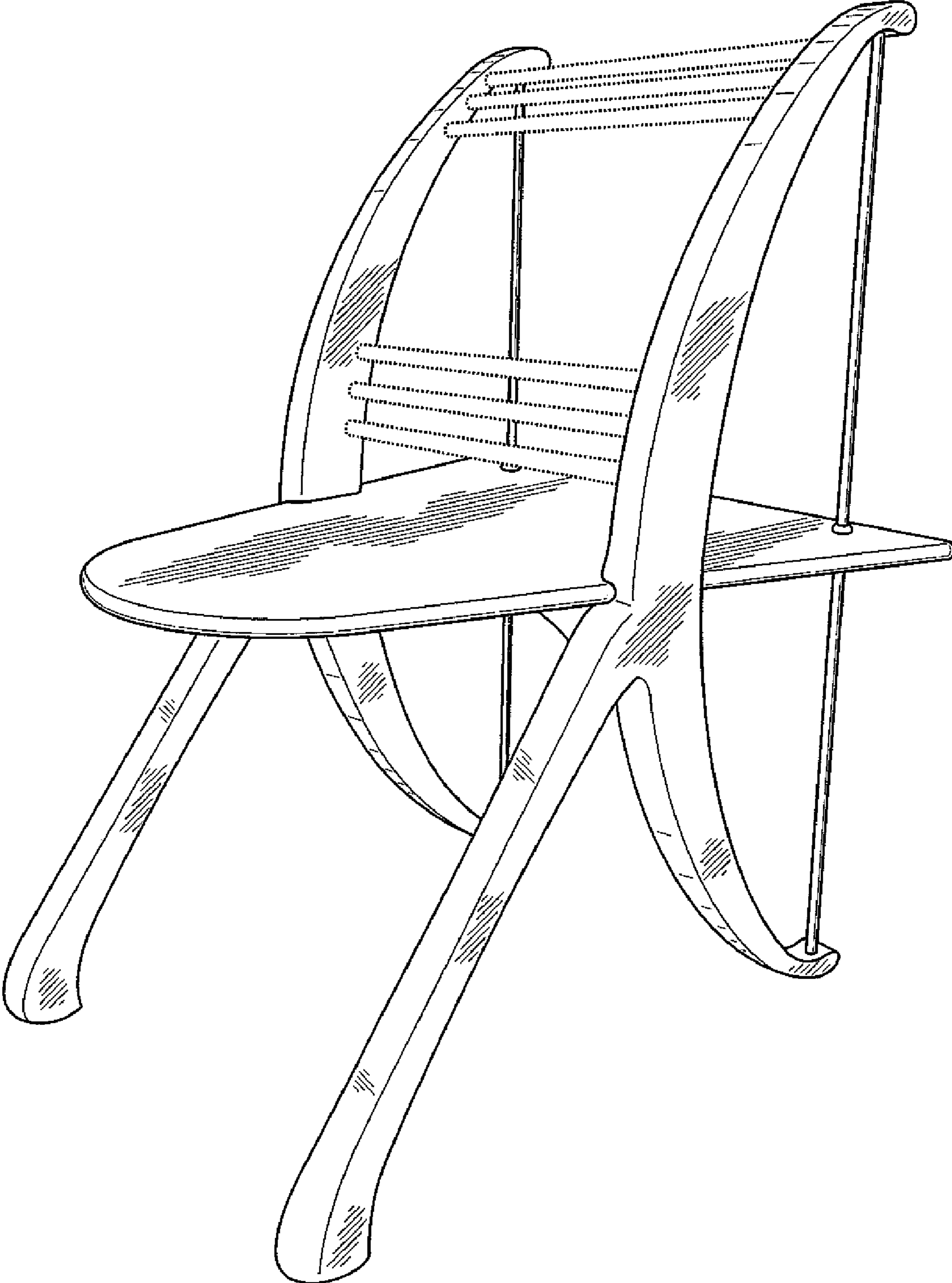


FIG. 1

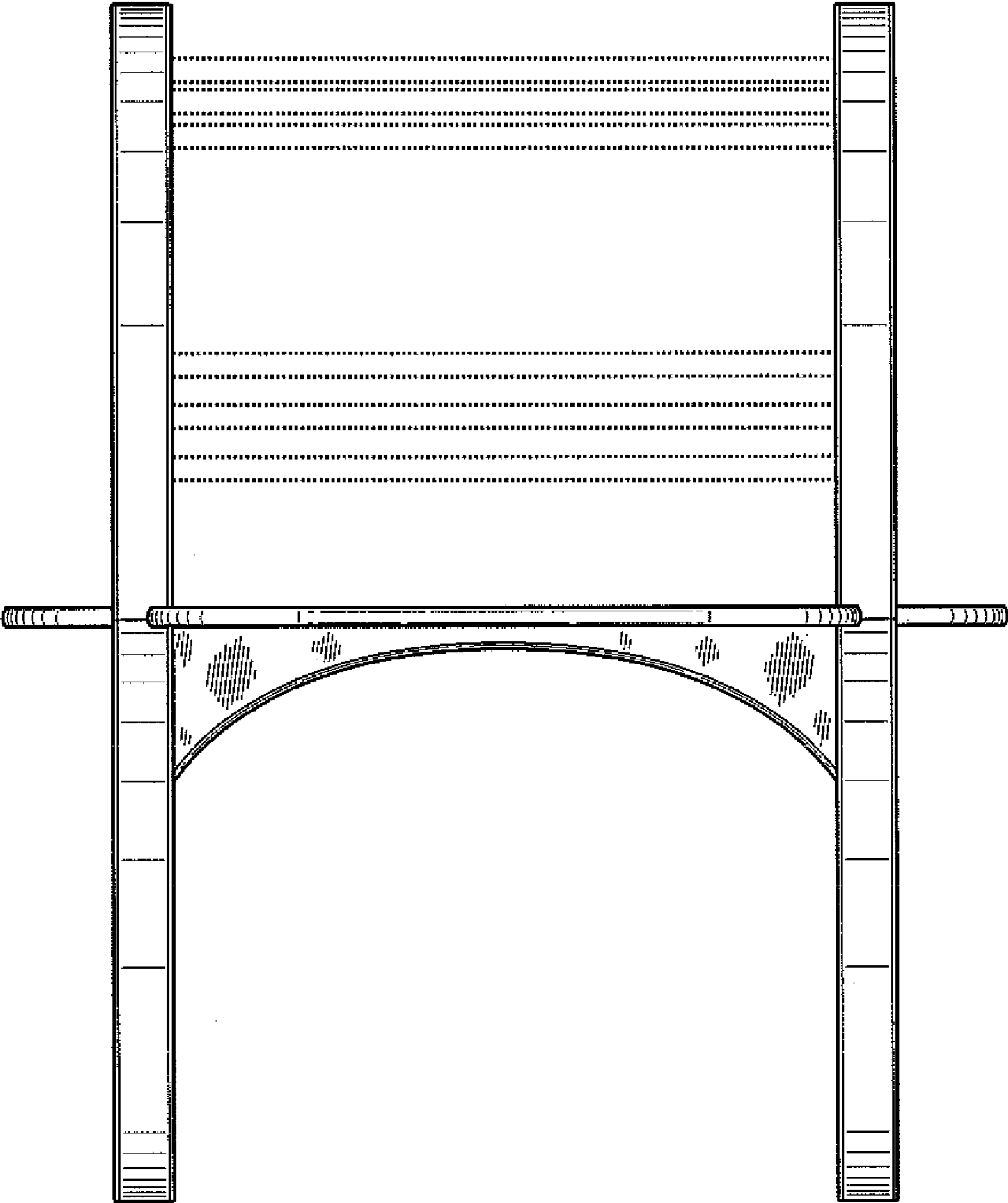


FIG. 2

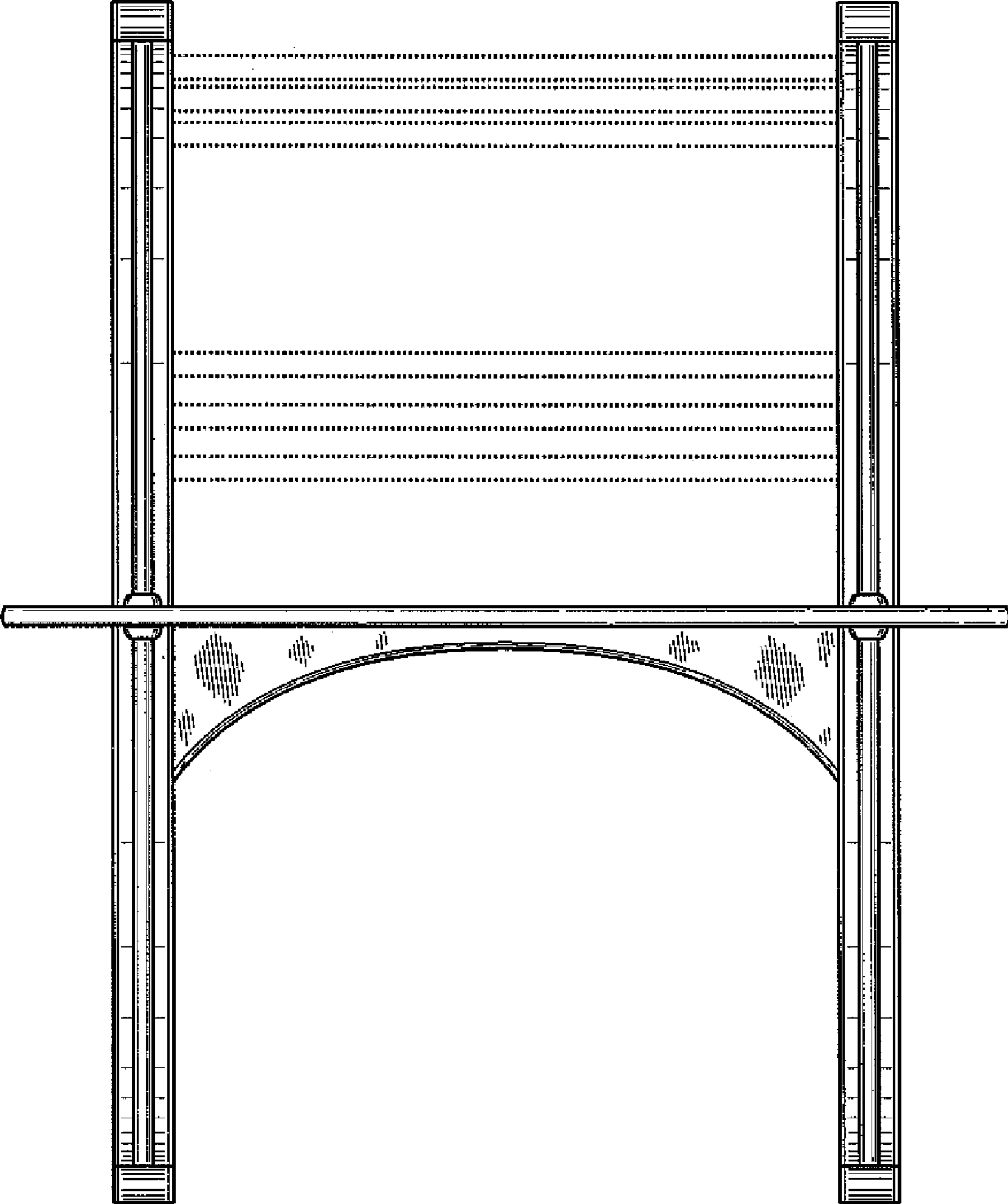


FIG. 3

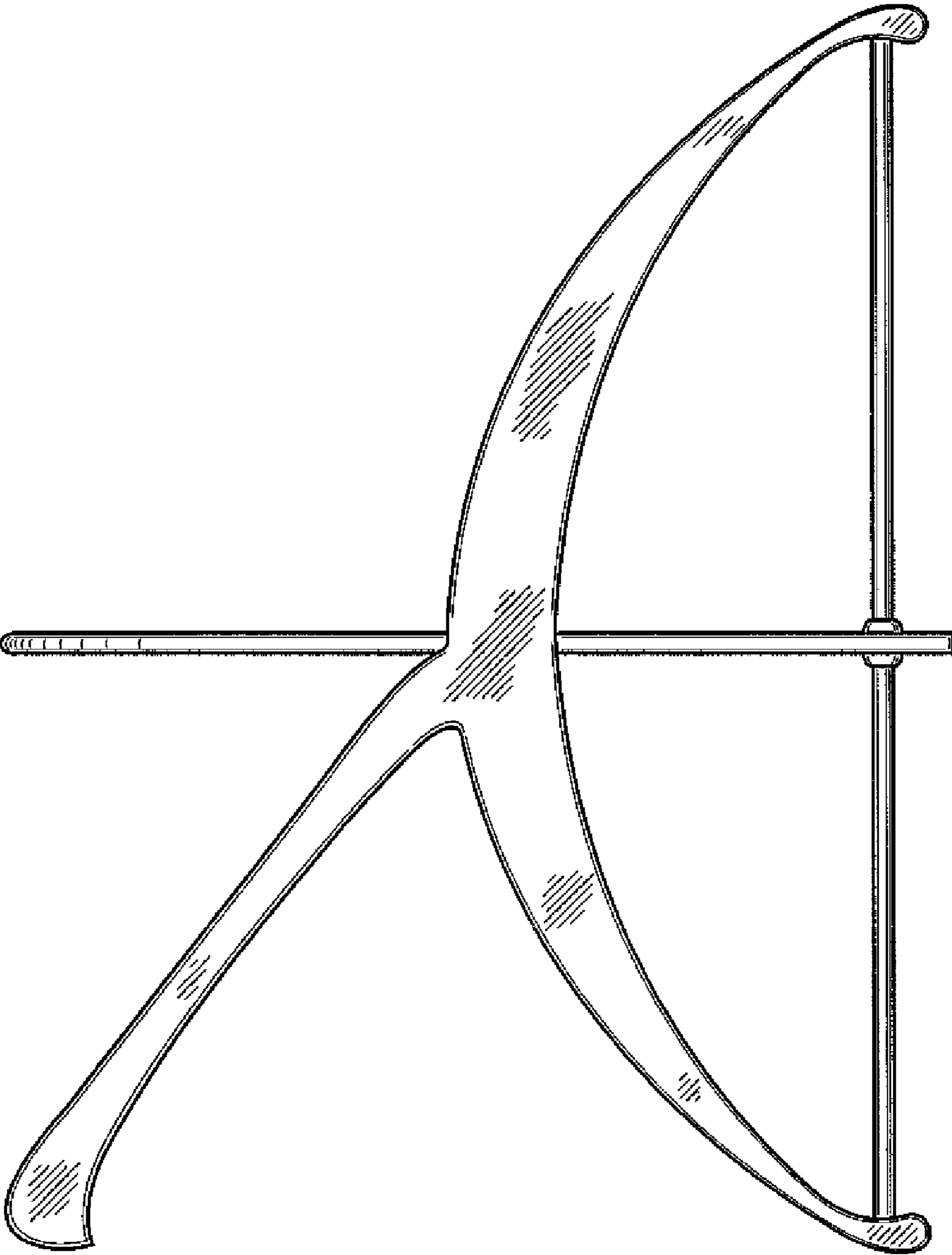


FIG. 4

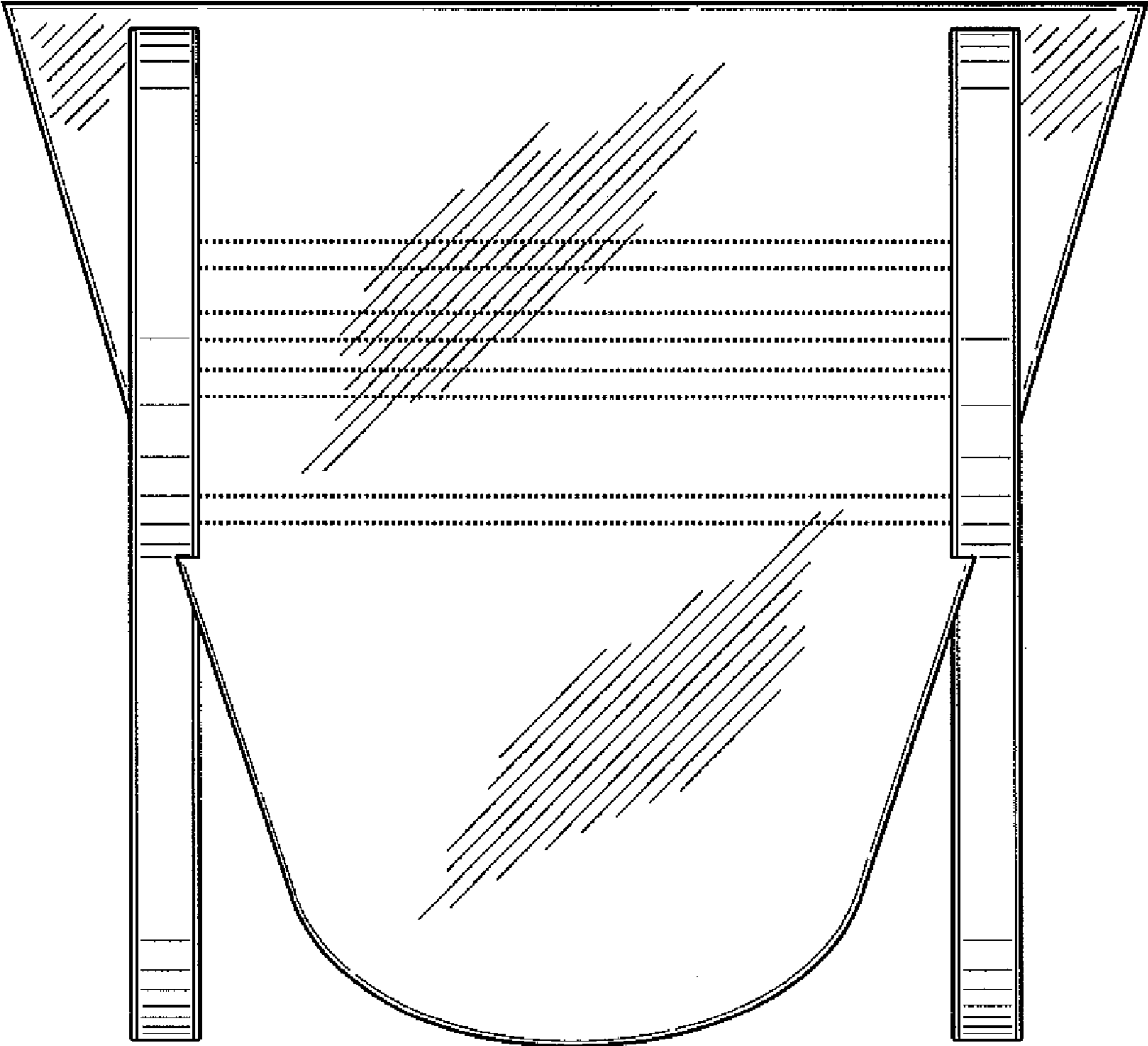


FIG. 5

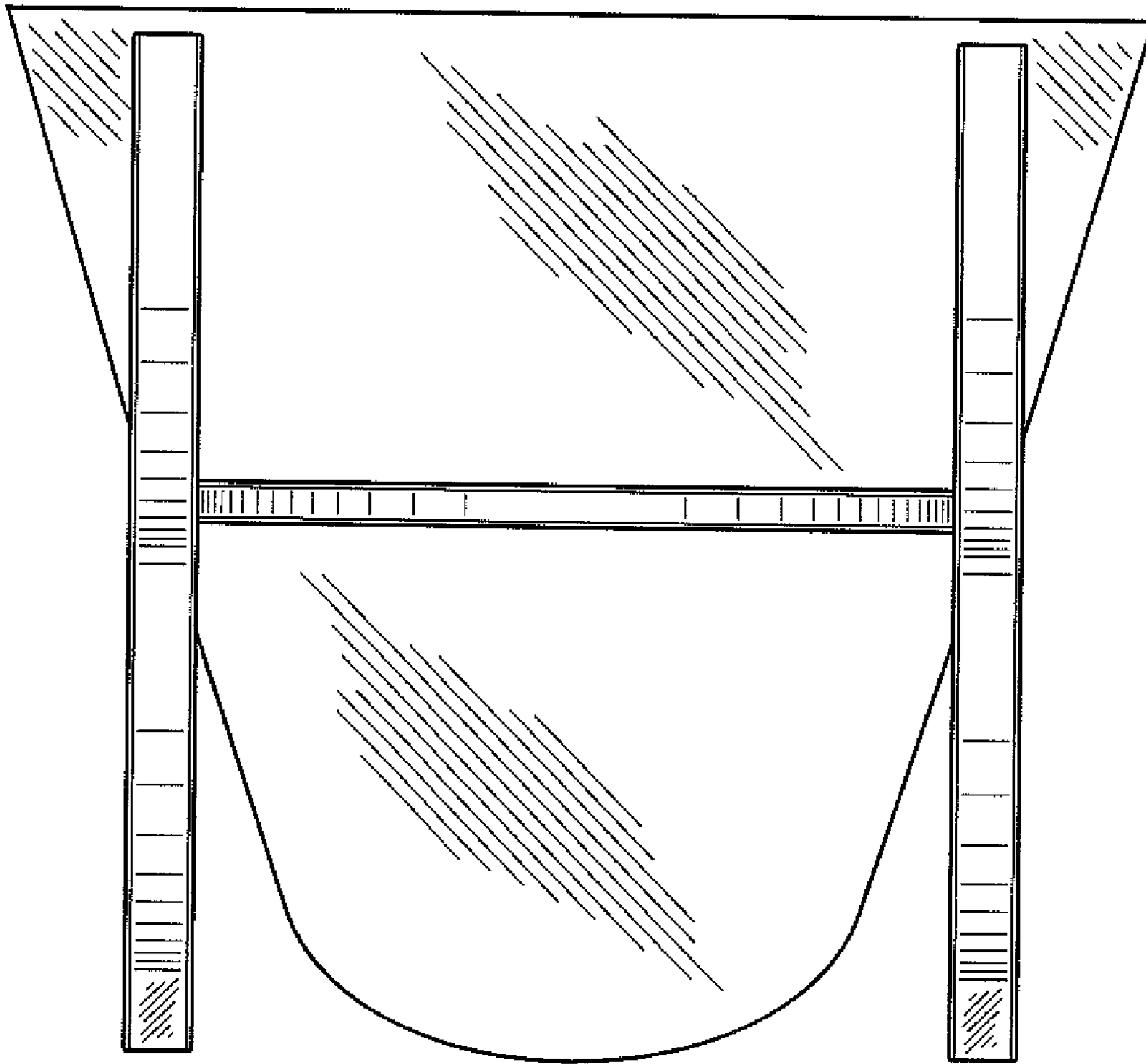


FIG. 6

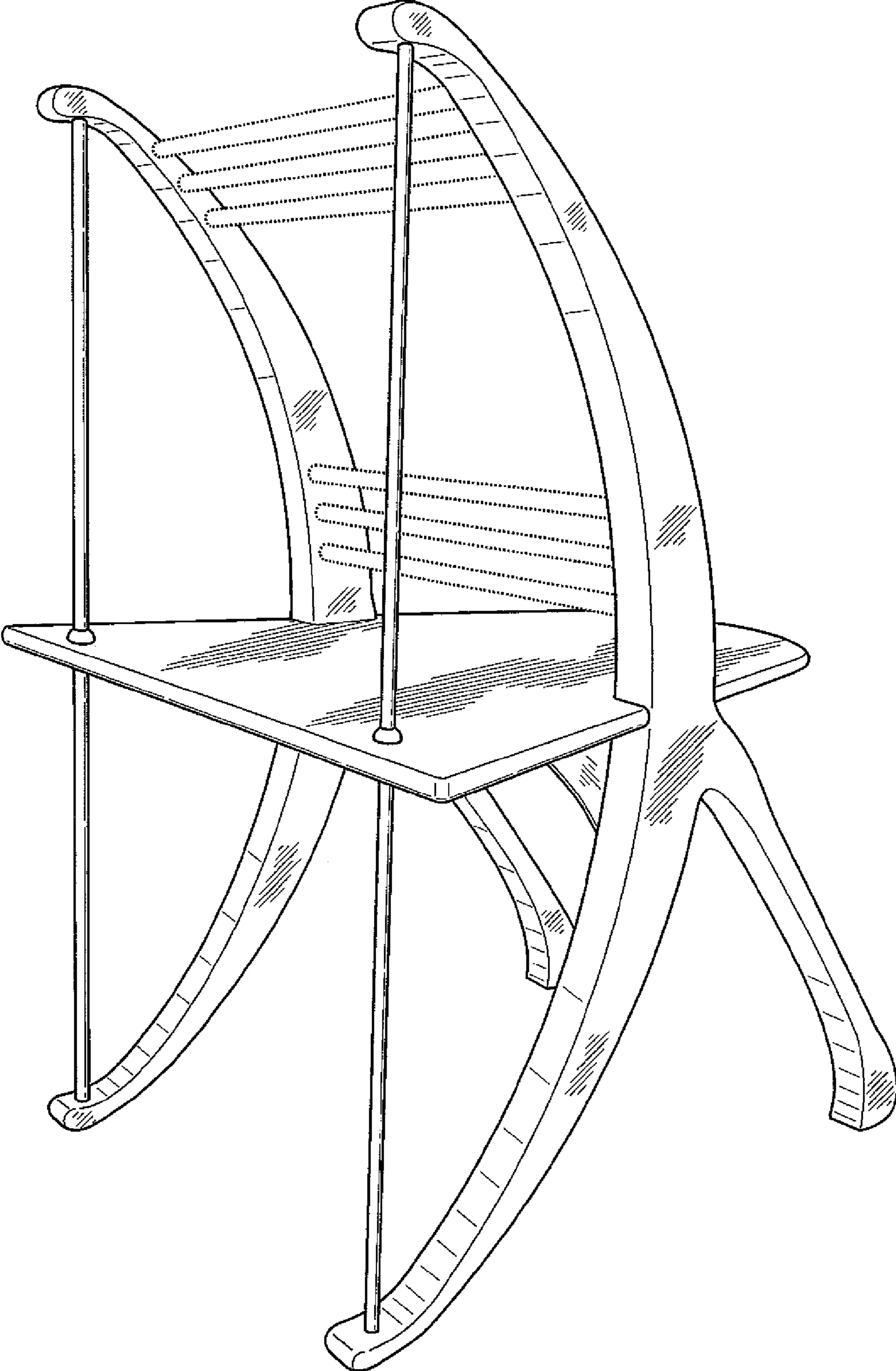


FIG. 7