



US00D585199S

(12) **United States Design Patent**  
**Lau et al.**

(10) **Patent No.:** **US D585,199 S**  
(45) **Date of Patent:** **\*\* Jan. 27, 2009**

(54) **DISPLAY FOR EVENT TICKETS**

(76) Inventors: **Karl B. Lau**, 2770 W. Pheasant Ln.,  
Thatcher, AZ (US) 85552; **Amy Purdy**,  
2770 W. Pheasant Ln., Thatcher, AZ  
(US) 85552

(\*\*) Term: **14 Years**

(21) Appl. No.: **29/291,979**

(22) Filed: **Sep. 24, 2007**

(51) **LOC (9) Cl.** ..... **06-04**

(52) **U.S. Cl.** ..... **D6/304; D6/450**

(58) **Field of Classification Search** ..... D6/300,  
D6/457, 304, 301, 434, 552; 40/700, 781;  
D12/187; D11/157

See application file for complete search history.

(56) **References Cited**

**U.S. PATENT DOCUMENTS**

D231,520 S *	4/1974	Harrison	.....	D12/187
D233,500 S *	11/1974	Phillips	.....	D6/303
D237,933 S *	12/1975	Farley	.....	D6/303
D324,793 S *	3/1992	Johnson	.....	D6/552
5,365,683 A *	11/1994	Borja	.....	40/781

D371,911 S *	7/1996	Peterson et al.	.....	D6/303
D380,906 S *	7/1997	White	.....	D6/303
D397,885 S *	9/1998	Reed	.....	D6/434
D440,407 S *	4/2001	Farley	.....	D6/303
6,546,651 B2	4/2003	Tremonti		
6,578,305 B2	6/2003	Lebrun		
D531,821 S *	11/2006	Tipton	.....	D6/303
D555,035 S *	11/2007	O'Neal	.....	D11/157

\* cited by examiner

*Primary Examiner*—Caron Veynar

*Assistant Examiner*—Sydney R Buffalow

(74) *Attorney, Agent, or Firm*—Raymond M. Galasso;  
Galasso & Associates, LP

(57) **CLAIM**

The ornamental design for display for event tickets, as shown and described.

**DESCRIPTION**

FIG. 1 is a front perspective view of display for event tickets, showing our new design; and,

FIG. 2 is a back perspective view.

No bottom view is being submitted as it has no ornamentality.

**1 Claim, 2 Drawing Sheets**

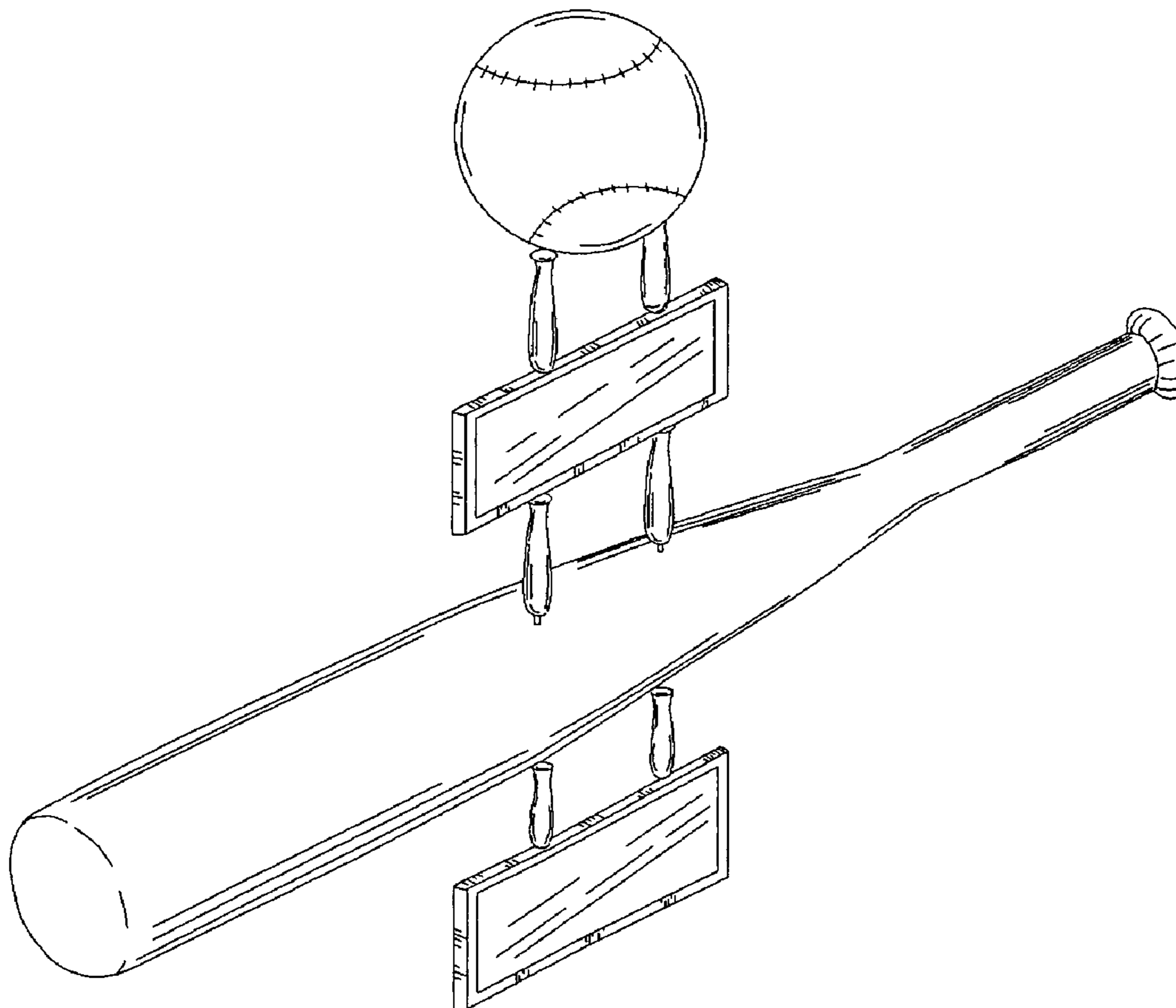
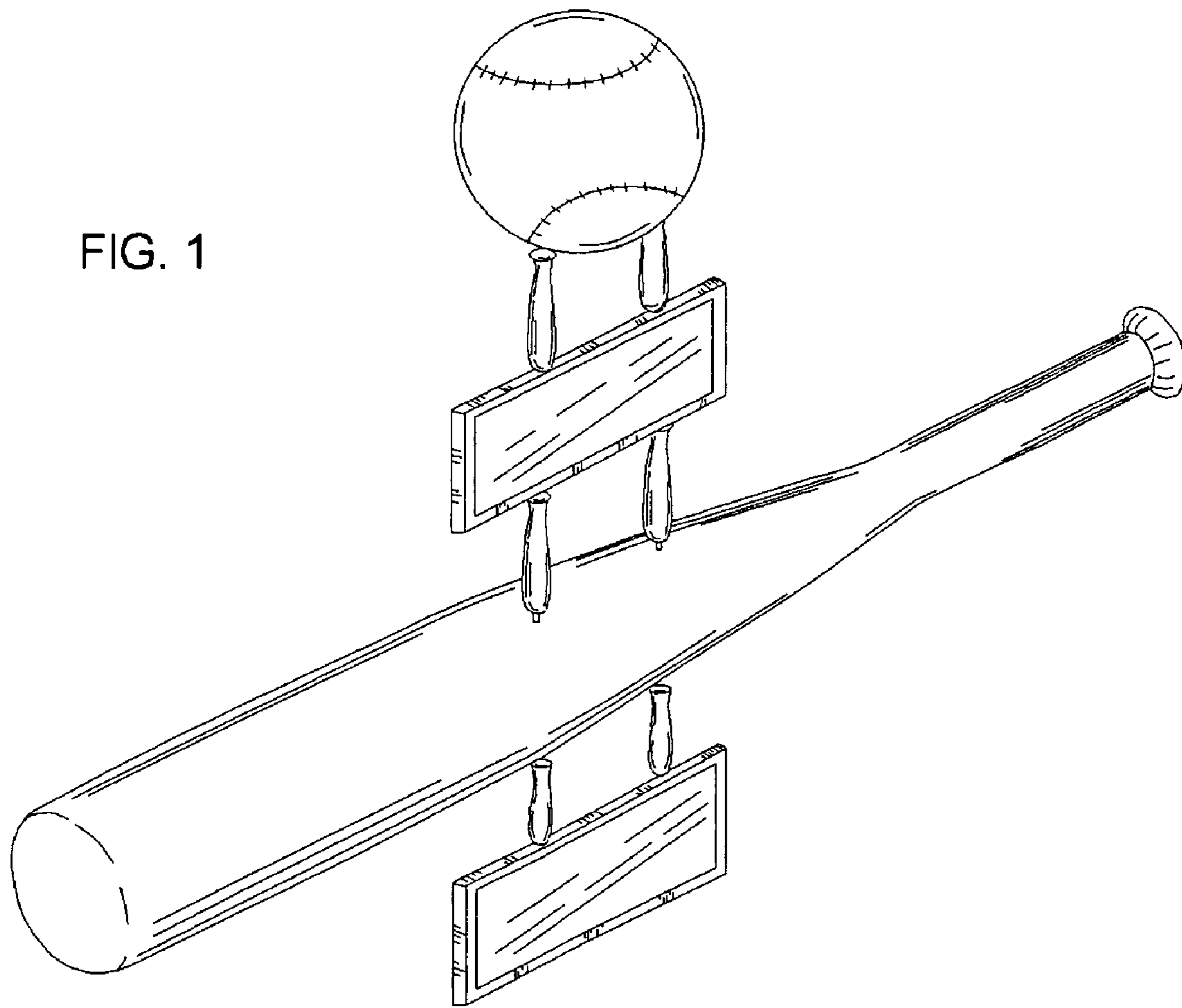


FIG. 1



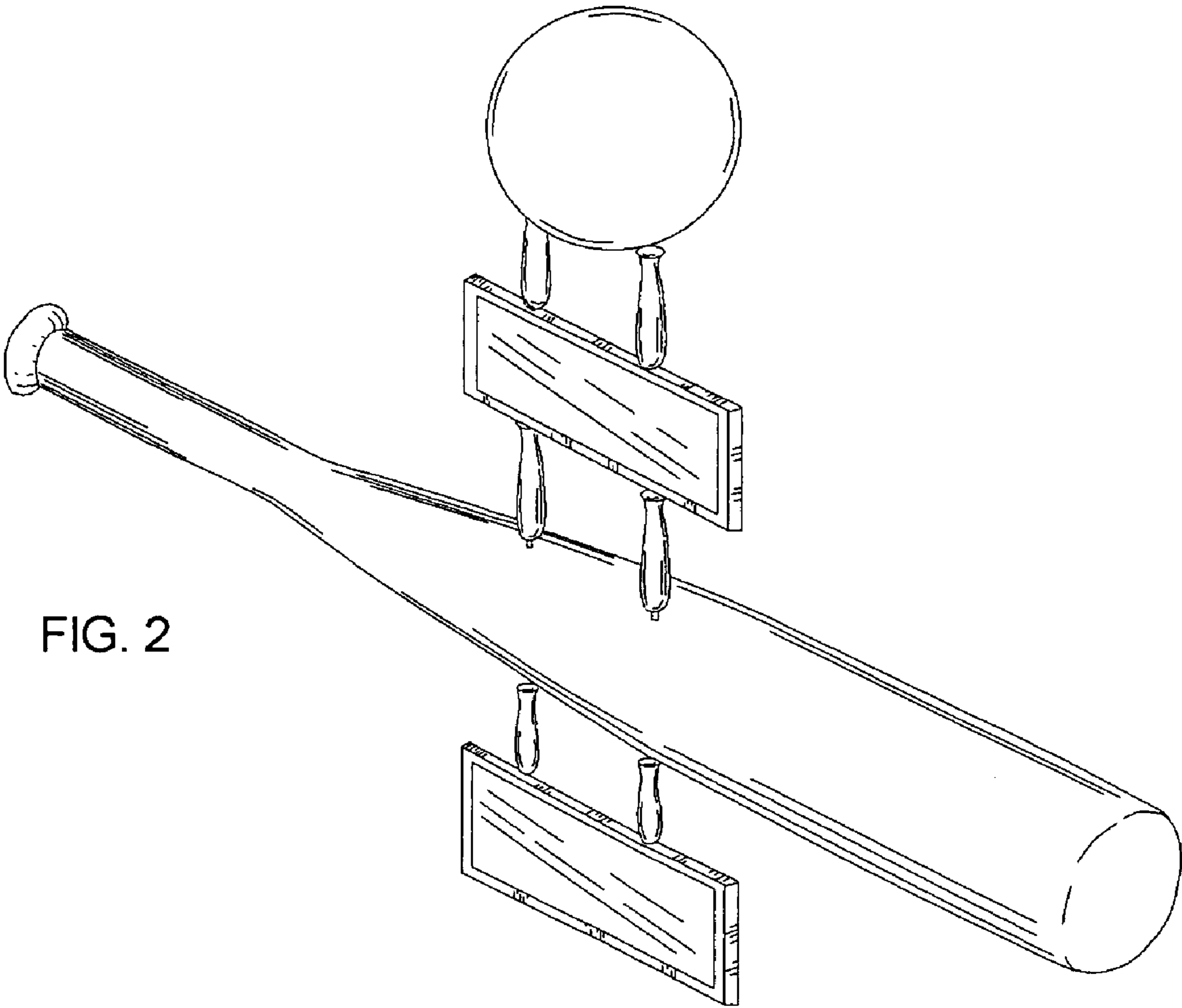


FIG. 2