



US00D585198S

(12) **United States Design Patent**  
**Moskovich**

(10) **Patent No.:** **US D585,198 S**  
(45) **Date of Patent:** **\*\* Jan. 27, 2009**

(54) **HEAD PORTION OF A TOOTHBRUSH**

(75) Inventor: **Robert Moskovich**, East Brunswick, NJ (US)

(73) Assignee: **Colgate-Palmolive Company**, New York, NY (US)

(\*\*) Term: **14 Years**

(21) Appl. No.: **29/321,416**

(22) Filed: **Jul. 16, 2008**

**Related U.S. Application Data**

(62) Division of application No. 29/251,579, filed on Jan. 10, 2006, now Pat. No. Des. 576,797.

(51) **LOC (9) Cl.** ..... **04-02**

(52) **U.S. Cl.** ..... **D4/108**

(58) **Field of Classification Search** ..... D4/101,  
D4/104-113; D24/133, 146, 147, 152; 15/110,  
15/111, 167.1, 167.2; 606/161; 601/139,  
601/141

See application file for complete search history.

(56) **References Cited**

**U.S. PATENT DOCUMENTS**

D465,847 S \* 11/2002 Jacobs ..... D24/147  
D477,465 S \* 7/2003 Reilly et al. .... D4/104  
6,599,048 B2 \* 7/2003 Kuo ..... 401/269  
D511,249 S \* 11/2005 Hohlbein ..... D4/104  
2006/0085932 A1 \* 4/2006 Santos ..... 15/111

**FOREIGN PATENT DOCUMENTS**

WO WO 01/45573 A1 \* 6/2001

**OTHER PUBLICATIONS**

DE 202005009026 U1 (Buerstenmann GmbH), (abstract), Nov. 24, 2005. Derwent Information Ltd. [retrieved on Apr. 22, 2008] Retrieved from the Derwent Database of the U.S. Patent Office using East, Derwent Accession No. 2006-012105.\*

\* cited by examiner

*Primary Examiner*—Cathron C Brooks

*Assistant Examiner*—Lavone D Tabor

(74) *Attorney, Agent, or Firm*—Donald L. Traut

(57) **CLAIM**

The ornamental design for a head portion of a toothbrush, as shown and described.

**DESCRIPTION**

FIG. 1 is a front view of a head portion of a toothbrush showing my design;

FIG. 2 is a right side view thereof, the left side being identical thereto;

FIG. 3 is a rear view thereof;

FIG. 4 is a top view thereof;

FIG. 5 is a bottom view thereof;

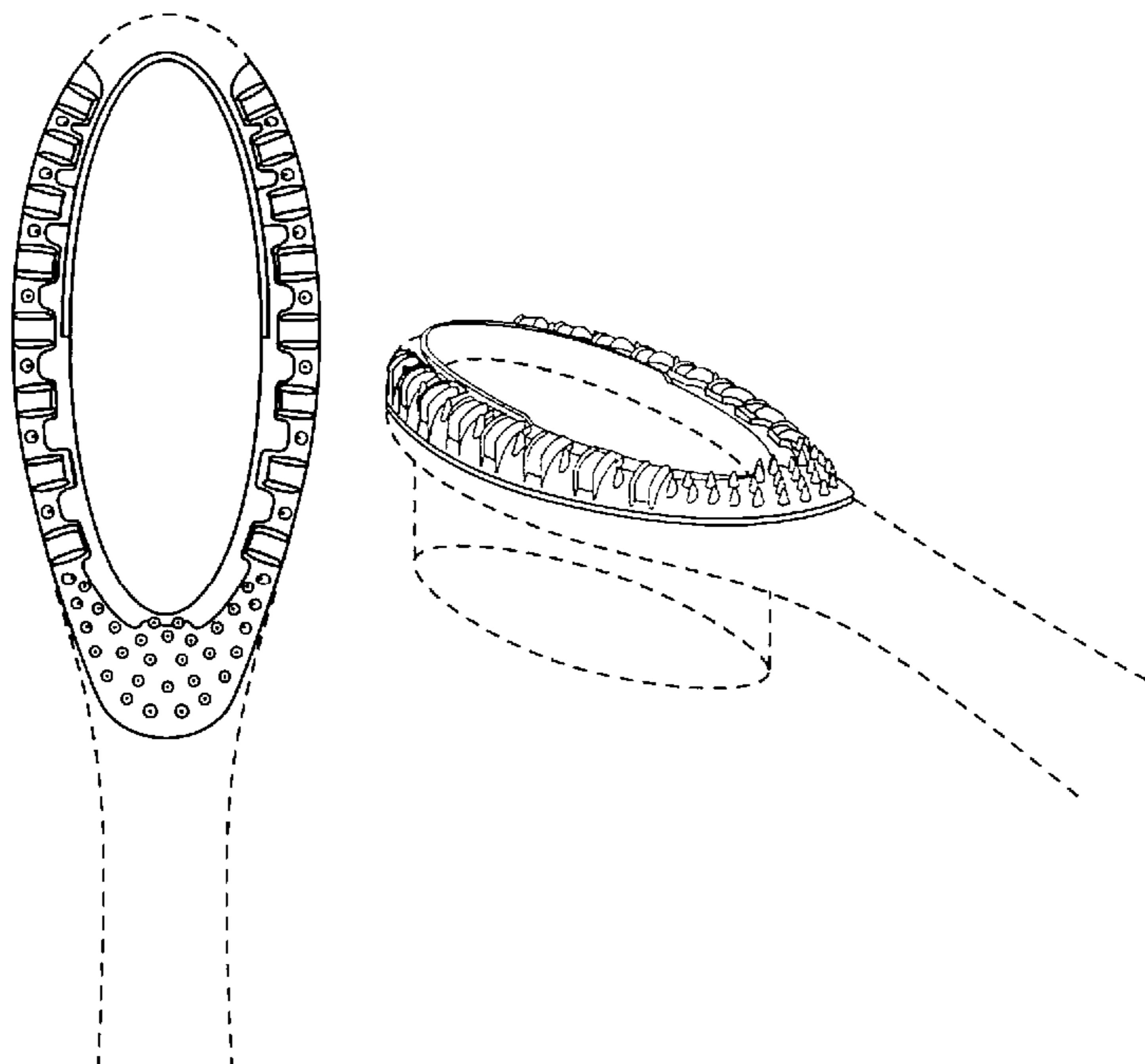
FIG. 6 is a right, frontal perspective view thereof; and,

FIG. 7 is a left, rear perspective view thereof.

The dotted lines are for purposes of illustration and form no part of the claimed design.

The claim is defined by the solid line bound surfaces having various raised designs and the rear and outer surfaces of the elongated, tapered, oval ridge.

**1 Claim, 3 Drawing Sheets**



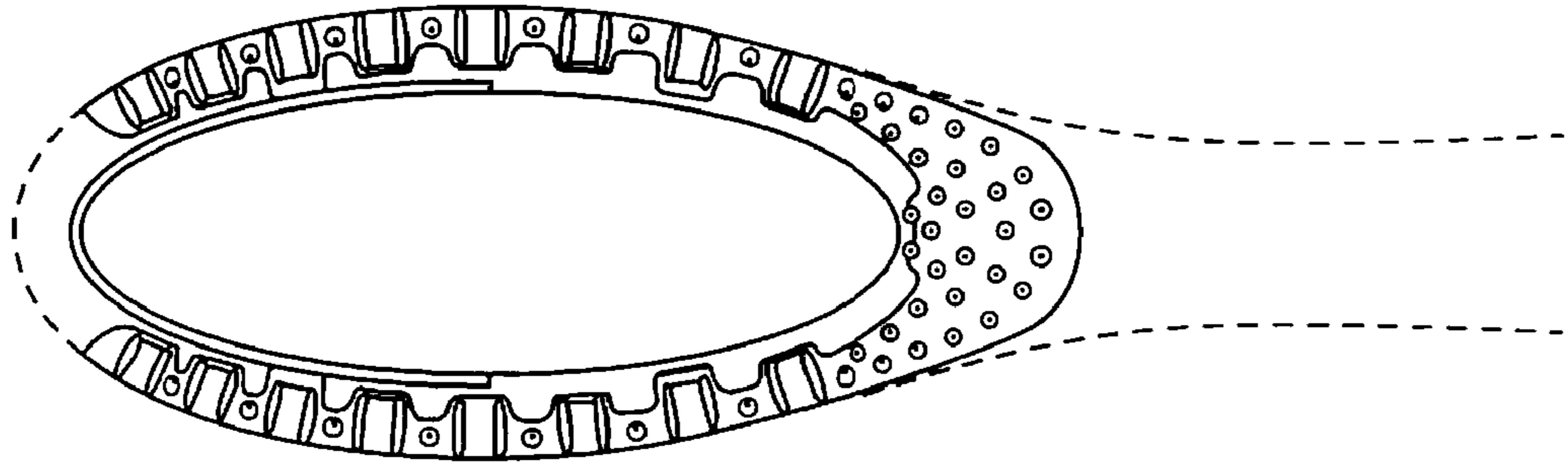


FIG. 3

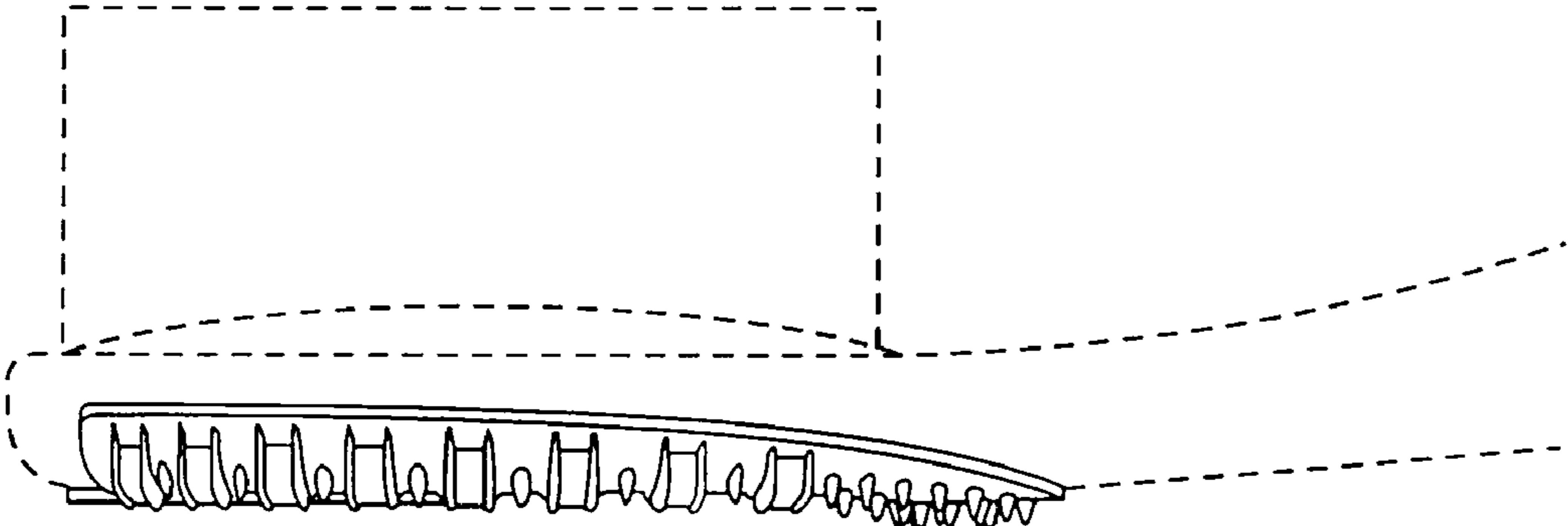


FIG. 2

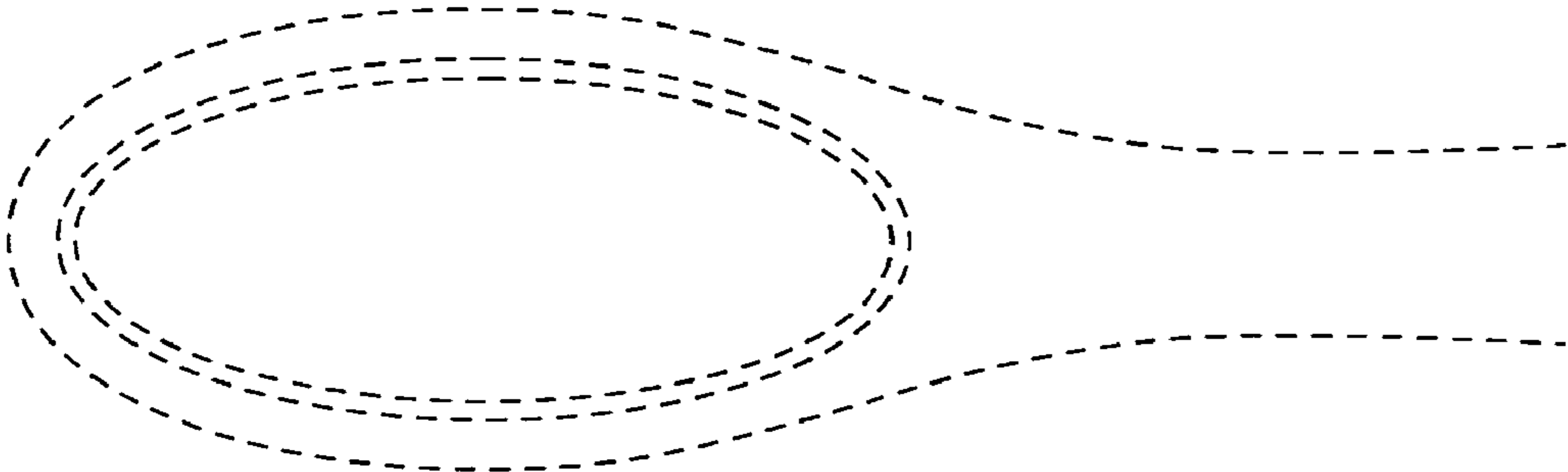


FIG. 1

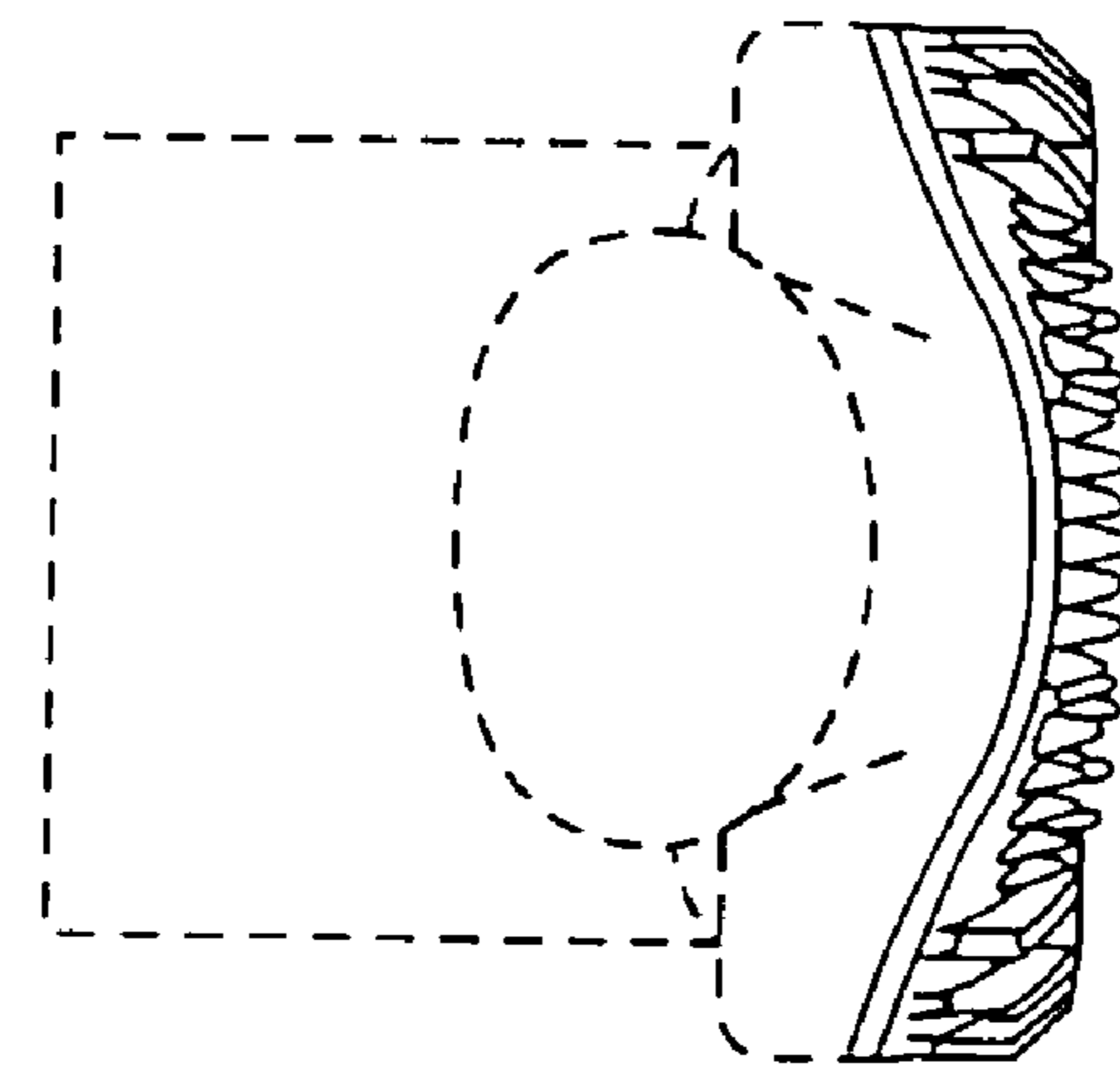


FIG. 4

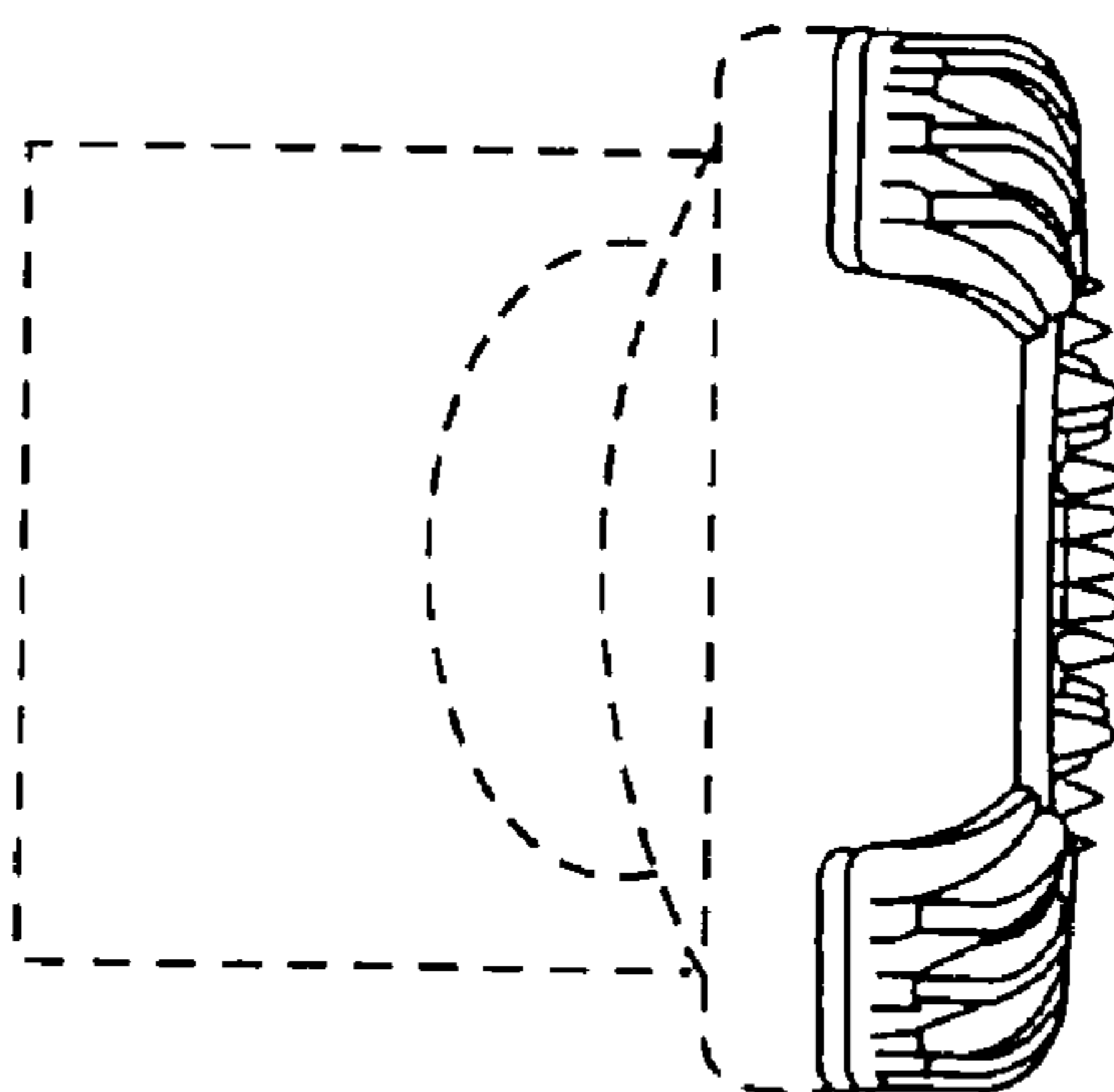


FIG. 5

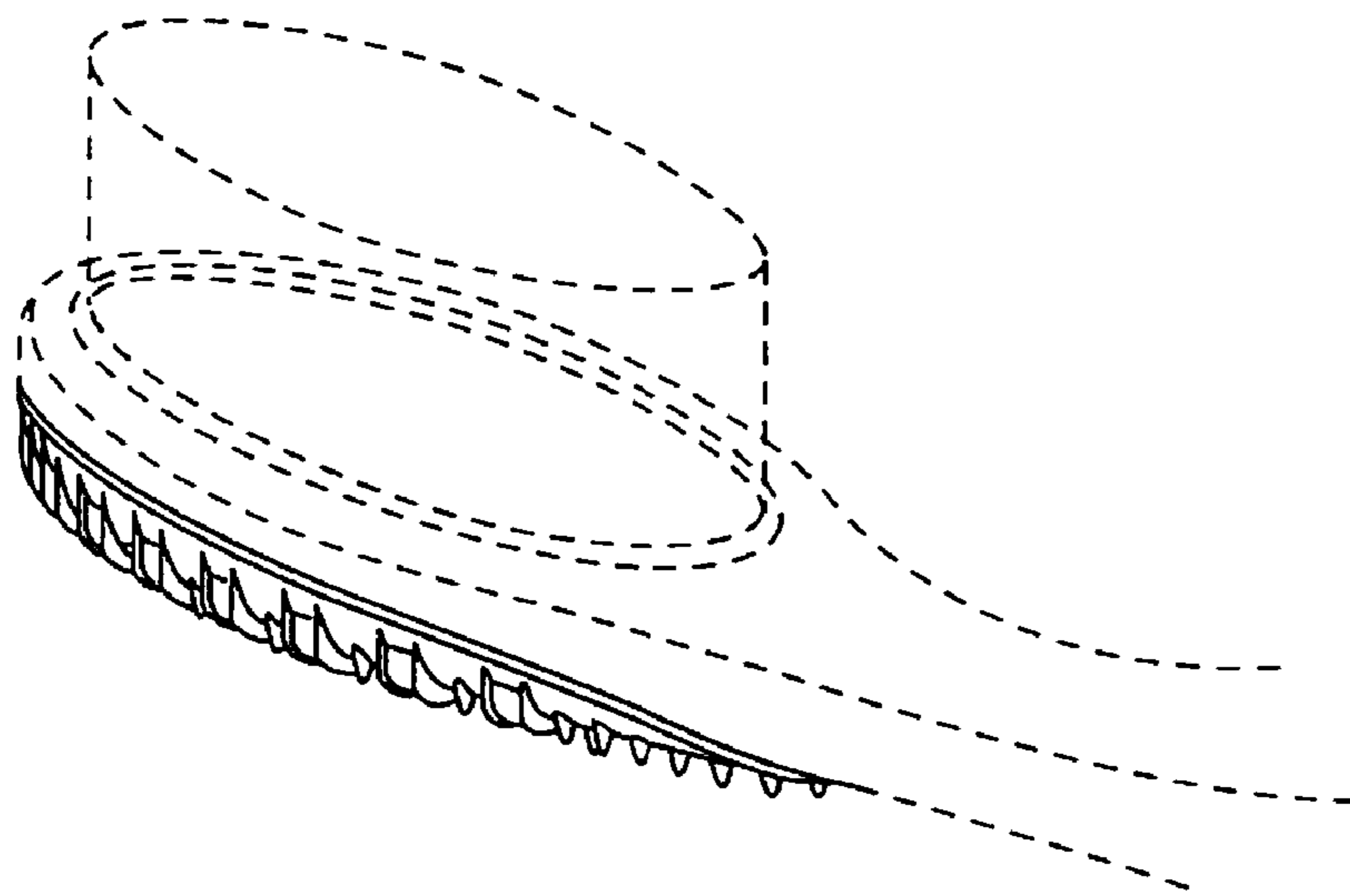


FIG. 6

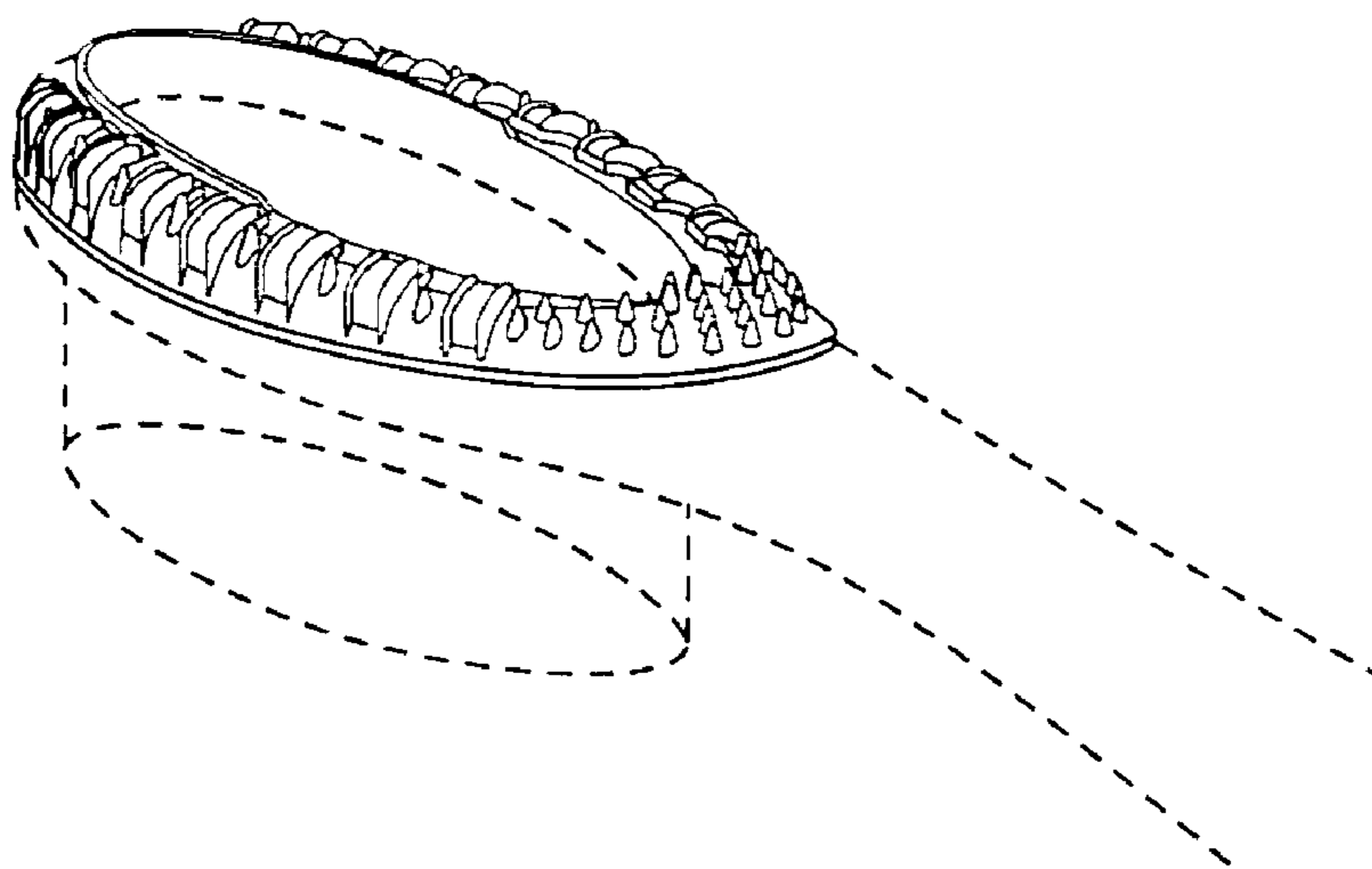


FIG. 7