



US00D585192S

(12) **United States Design Patent**
Golden

(10) **Patent No.:** **US D585,192 S**
(45) **Date of Patent:** **** Jan. 27, 2009**

(54) **NOVELTY PURSE**

(75) Inventor: **Michael H. Golden**, Lake Village, AR
(US)

(73) Assignee: **Band In My Hand, LLC**, Lake Village,
AR (US)

(**) Term: **14 Years**

(21) Appl. No.: **29/267,796**

(22) Filed: **Oct. 23, 2006**

Related U.S. Application Data

(63) Continuation-in-part of application No. 29/254,345,
filed on Feb. 22, 2006, which is a continuation-in-part
of application No. 29/213,766, filed on Sep. 23, 2004,
now Pat. No. Des. 517,810.

(51) **LOC (9) Cl.** **03-01**

(52) **U.S. Cl.** **D3/238**

(58) **Field of Classification Search** D13/232,
D13/235, 238, 240–246, 303, 318–326, 900,
D13/902; 150/100, 107–111, 118–120; 190/100,
190/108–112, 115, 900, 902–903
See application file for complete search history.

(56) **References Cited**

U.S. PATENT DOCUMENTS

D497,249 S * 10/2004 Anderson et al. D3/238

D497,250 S * 10/2004 Anderson et al. D3/238
D507,700 S * 7/2005 Meadows D3/238
D509,058 S * 9/2005 Meadows D3/238
D517,810 S * 3/2006 Golden et al. D3/324

* cited by examiner

Primary Examiner—Louis S Zarfaz

Assistant Examiner—Michelle E Wilson

(74) *Attorney, Agent, or Firm*—Stephen D. Carver

(57) **CLAIM**

The ornamental design for a novelty purse, as shown.

DESCRIPTION

FIG. 1 is a frontal isometric view of my new purse;

FIG. 2 is a rear isometric view thereof;

FIG. 3 is a front elevational view thereof;

FIG. 4 is a left side elevational view thereof;

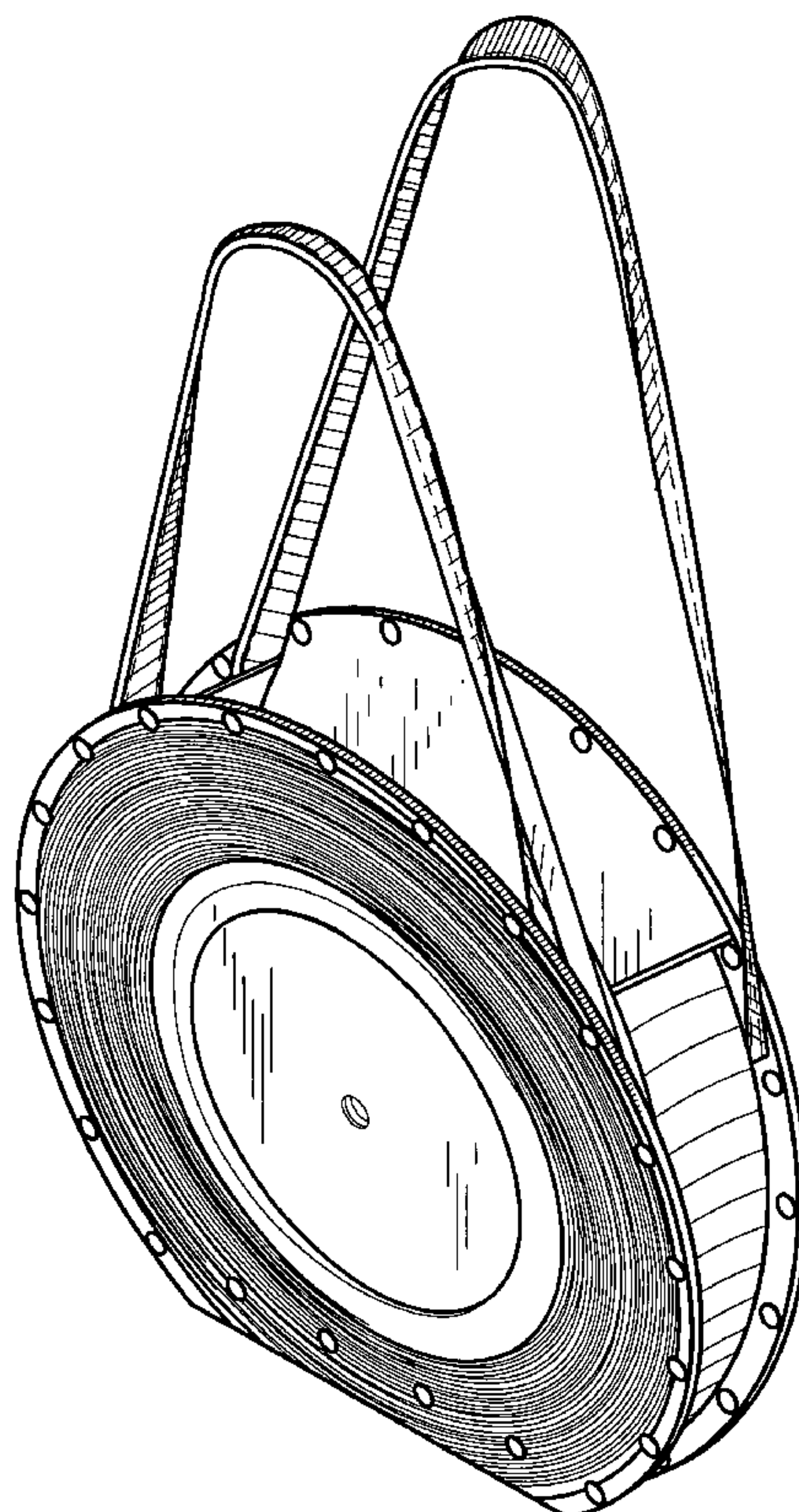
FIG. 5 is a right side elevational view thereof;

FIG. 6 is a rear elevational view thereof;

FIG. 7 is a top plan view thereof; and,

FIG. 8 is a bottom plan view thereof.

1 Claim, 8 Drawing Sheets



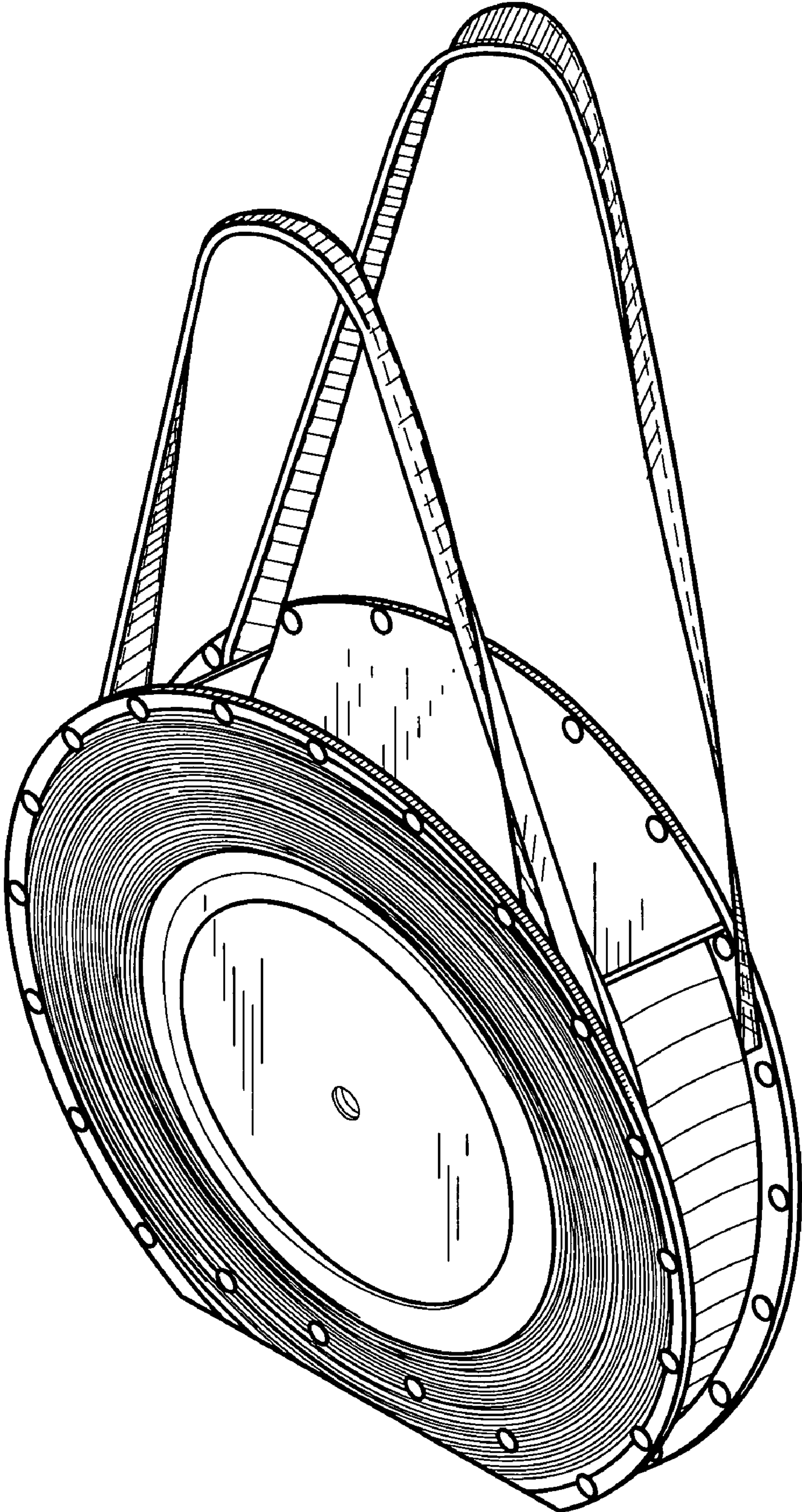


Fig. 1

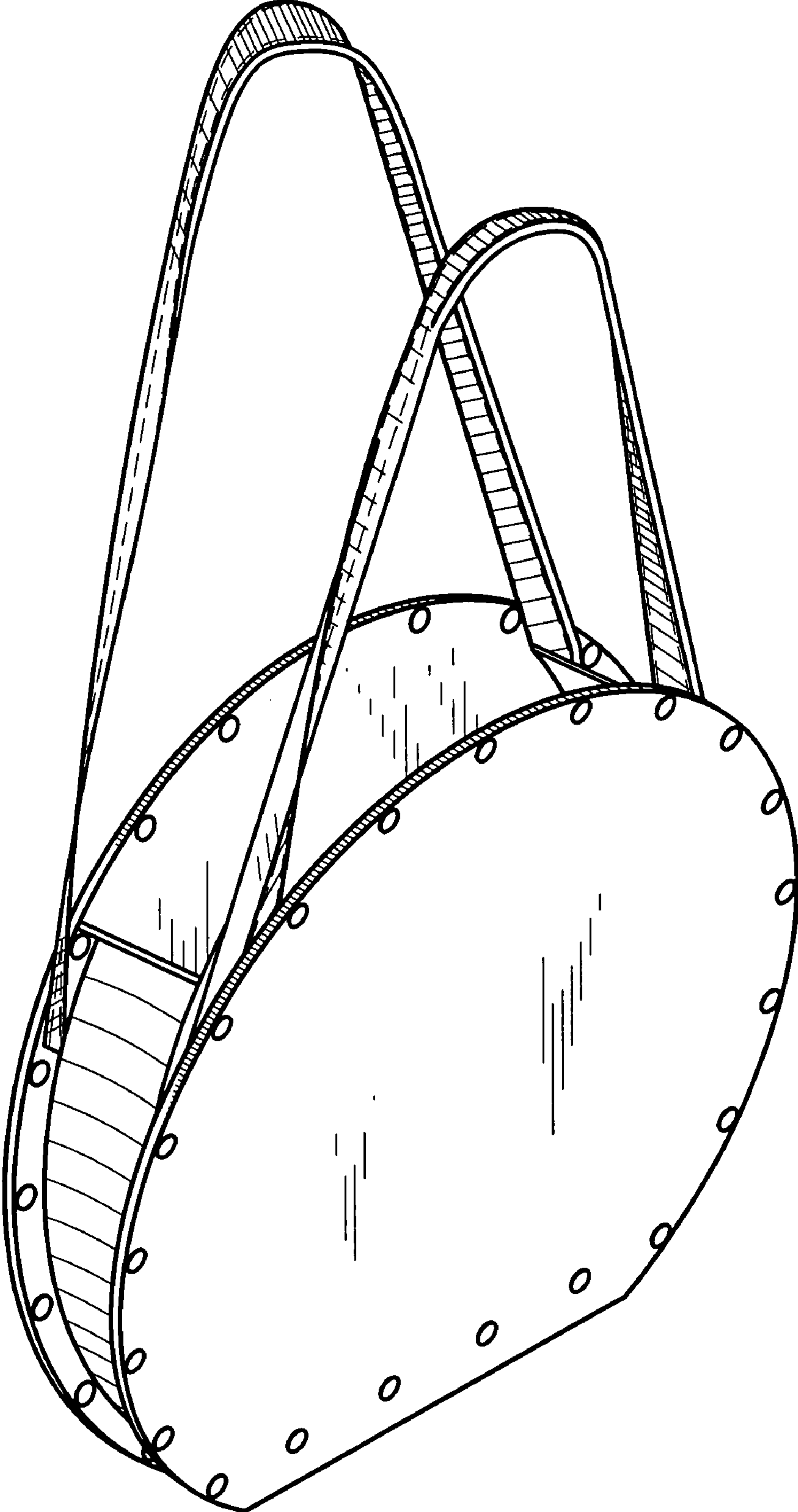


Fig. 2

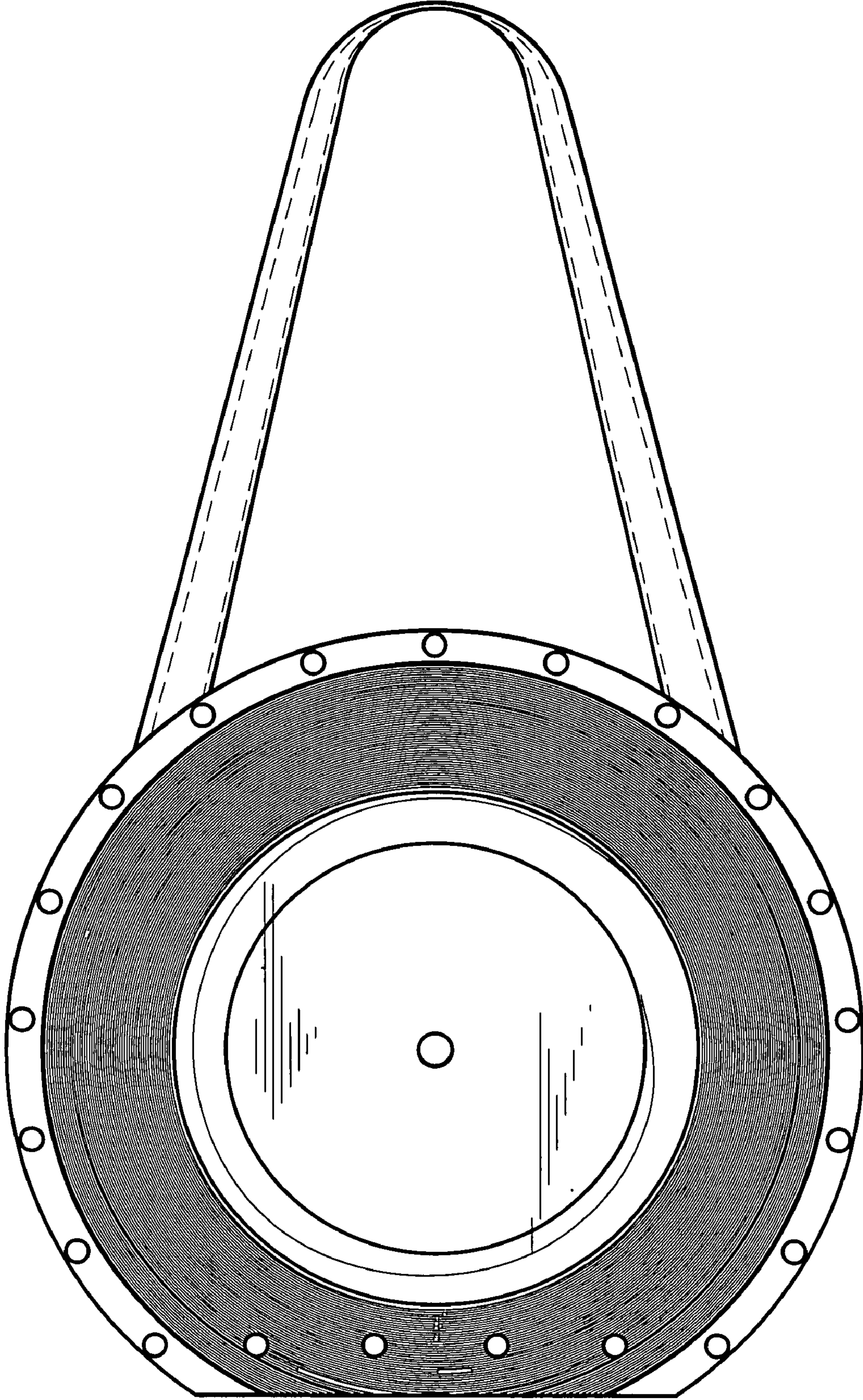


Fig. 3

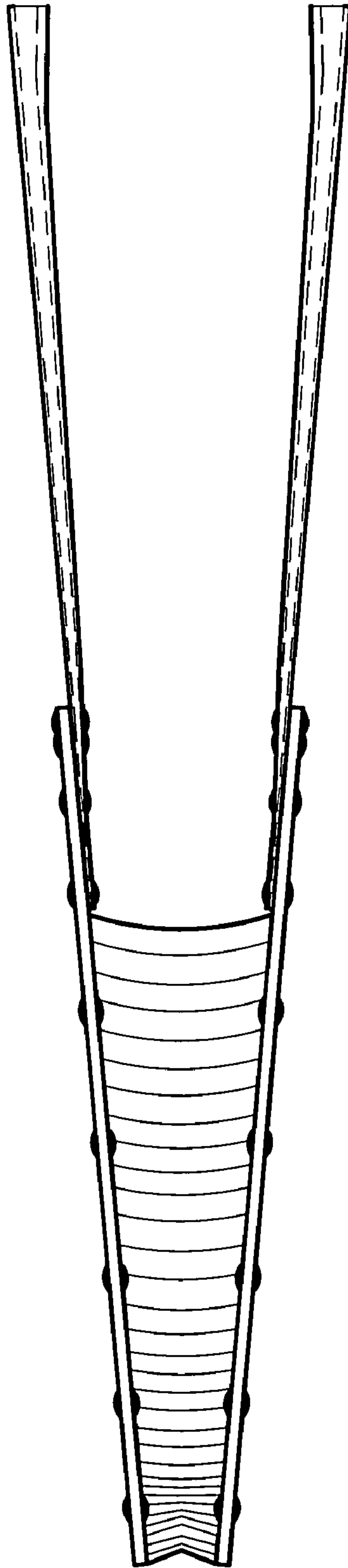


Fig. 4

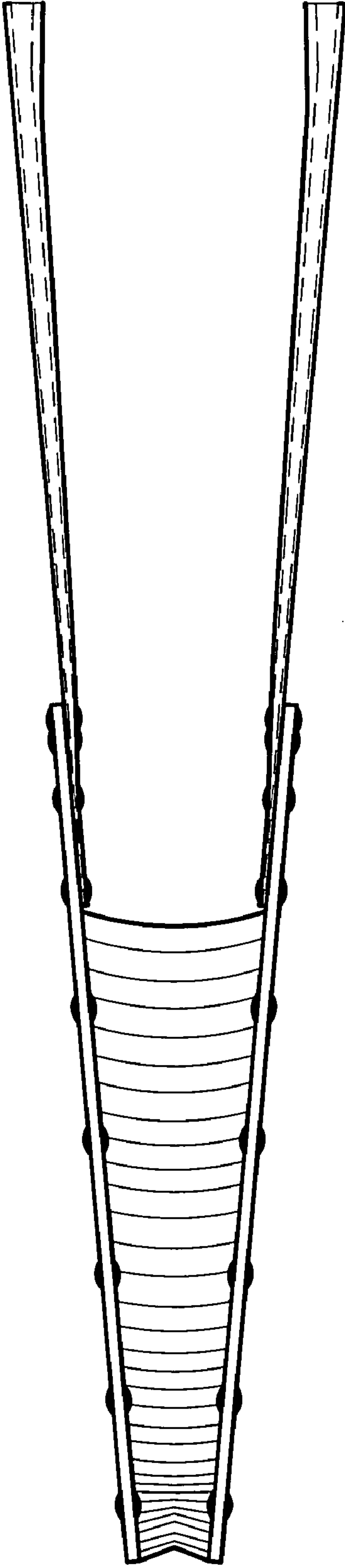


Fig. 5

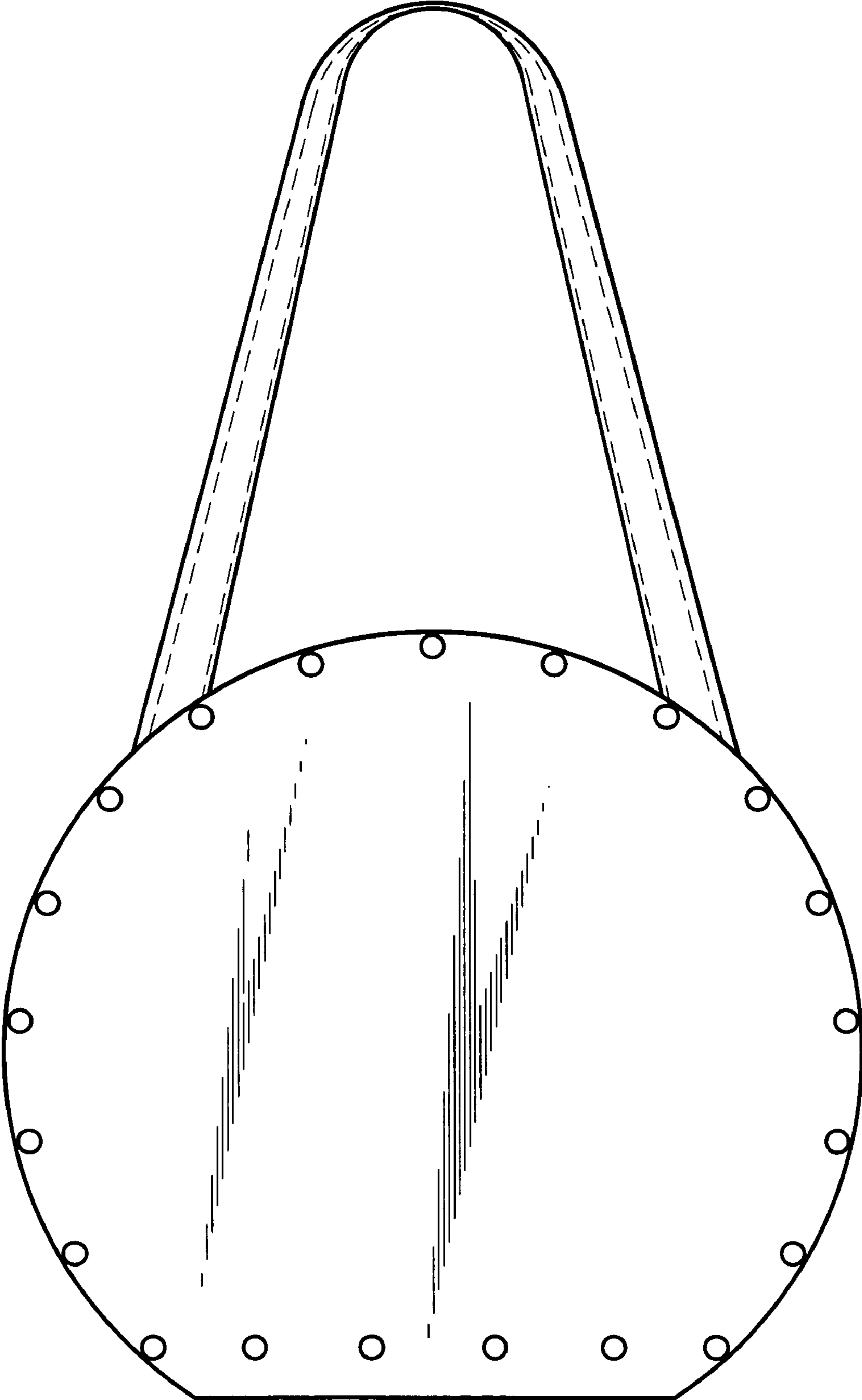


Fig. 6

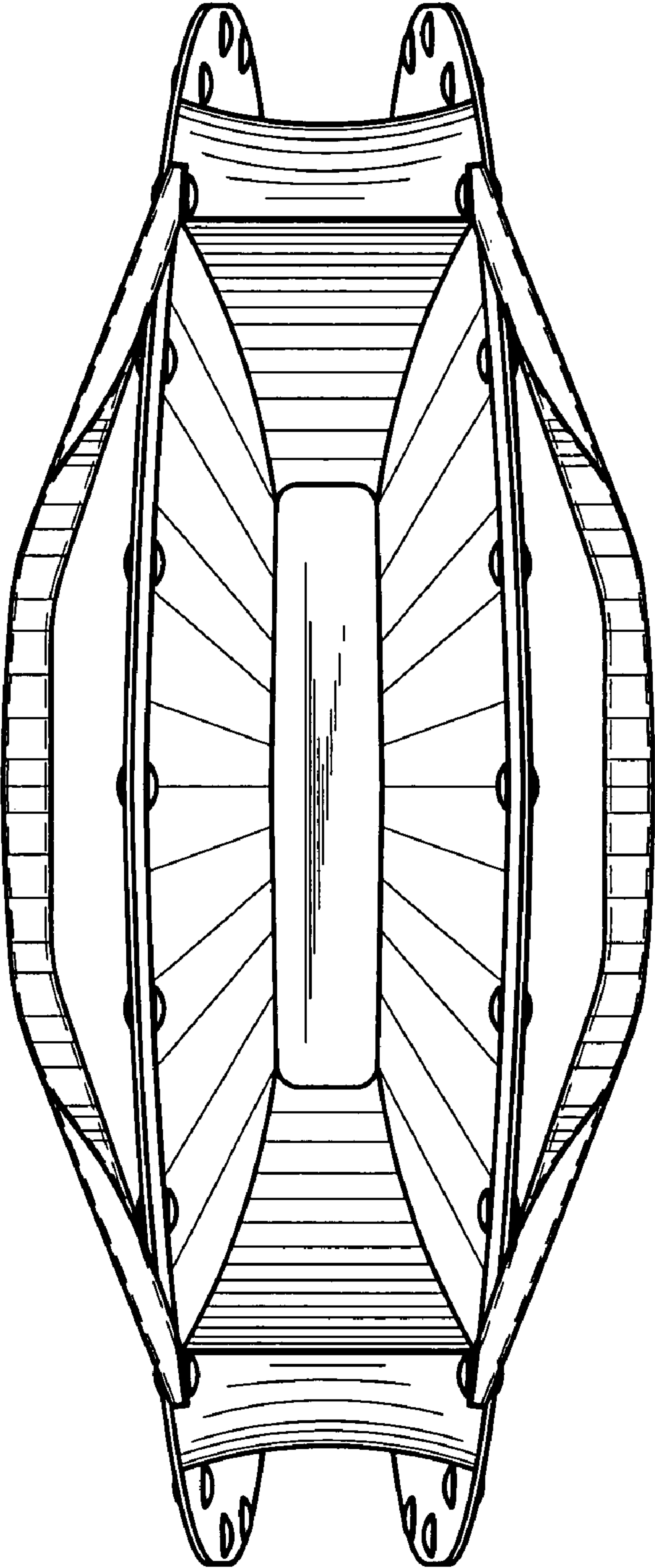


Fig. 7

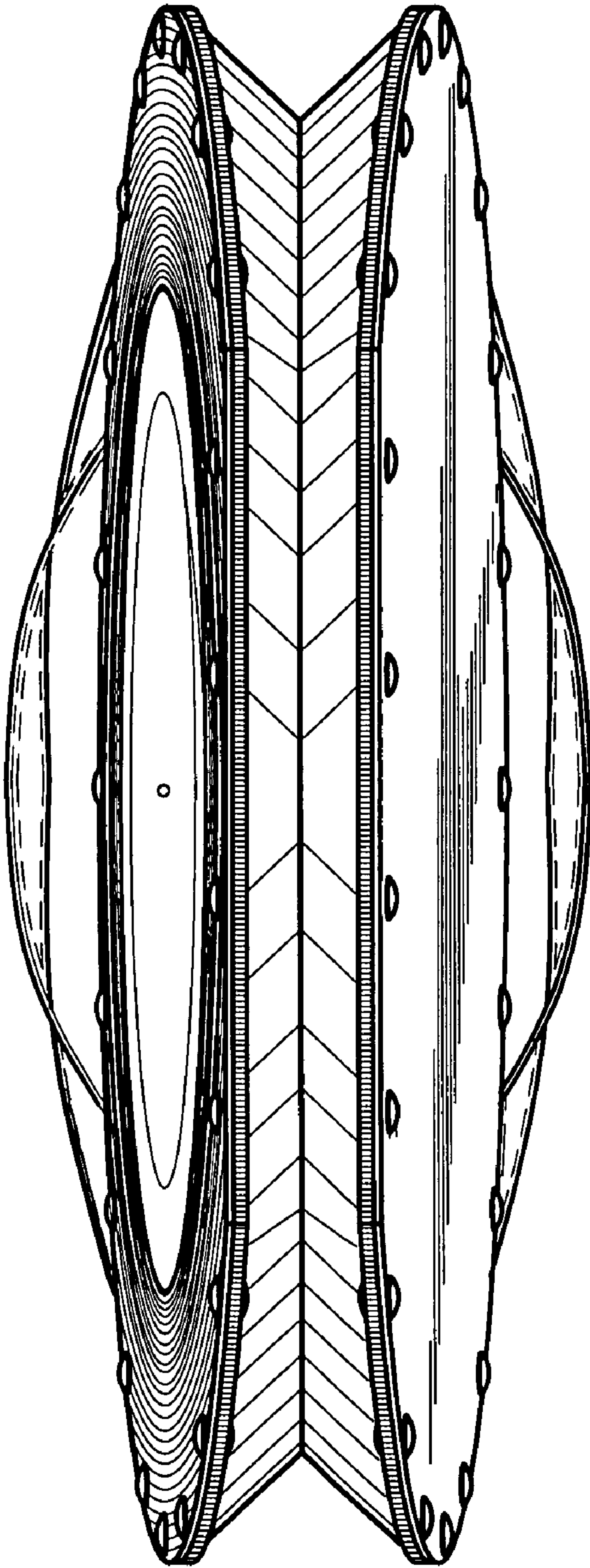


Fig. 8