



US00D585191S

(12) **United States Design Patent**
Allen et al.

(10) **Patent No.:** **US D585,191 S**
(45) **Date of Patent:** **** Jan. 27, 2009**

(54) **CASE**

(75) Inventors: **Philip John Allen**, Nottingham (GB);
Andrew John Gilbert, Kent (GB);
Shane Alastair Day, Warwick (GB);
Clive John Southernwood, Oxfordshire (GB)

(73) Assignee: **Filtrona Plc** (GB)

(**) Term: **14 Years**

(21) Appl. No.: **29/261,644**

(22) Filed: **Jun. 16, 2006**

(30) **Foreign Application Priority Data**

Dec. 16, 2005 (GB) 3023439

(51) **LOC (9) Cl.** **03-01**

(52) **U.S. Cl.** **D3/204**

(58) **Field of Classification Search** D3/201,
D3/204, 232, 265, 272-273, 276, 294; D17/20,
D17/22, 99; 84/453; 190/100, 900; 211/85.6;
224/910; 150/162

See application file for complete search history.

(56) **References Cited**

U.S. PATENT DOCUMENTS

D189,868 S * 3/1961 Casselman D3/292
D351,504 S * 10/1994 Tarozzi D3/276
D412,397 S * 8/1999 Liu D3/282
D413,440 S * 9/1999 Schurman D3/282
D498,925 S * 11/2004 Chen D3/294
D524,541 S * 7/2006 Cauley D3/295
D529,716 S * 10/2006 Wang D3/282

D539,539 S * 4/2007 Braden D3/282
D541,045 S * 4/2007 Peart et al. D3/291
D542,529 S * 5/2007 Peart et al. D3/276
D542,530 S * 5/2007 Harris et al. D3/276

* cited by examiner

Primary Examiner—Ian Simmons
Assistant Examiner—Anna J Burmeister

(74) *Attorney, Agent, or Firm*—Banner & Witcoff, Ltd.

(57) **CLAIM**

The ornamental design for a case, as shown and described.

DESCRIPTION

FIG. 1 is a top, front, and left side perspective elevational view of a case, shown in the closed condition, showing my new design;

FIG. 2 is a left side elevational view thereof, where the right side elevational view is a mirror image;

FIG. 3 is a front elevational view thereof;

FIG. 4 is a rear elevational view thereof;

FIG. 5 is a top plan view thereof;

FIG. 6 is a bottom plan view thereof;

FIG. 7 is a top, front, and left side perspective elevational view thereof, shown in the open condition;

FIG. 8 is a left side elevational view thereof;

FIG. 9 is a front elevational view thereof, shown in the open and flat condition;

FIG. 10 is a rear elevational view thereof; and,

FIG. 11 is a top, rear, and right side perspective view thereof.

1 Claim, 5 Drawing Sheets

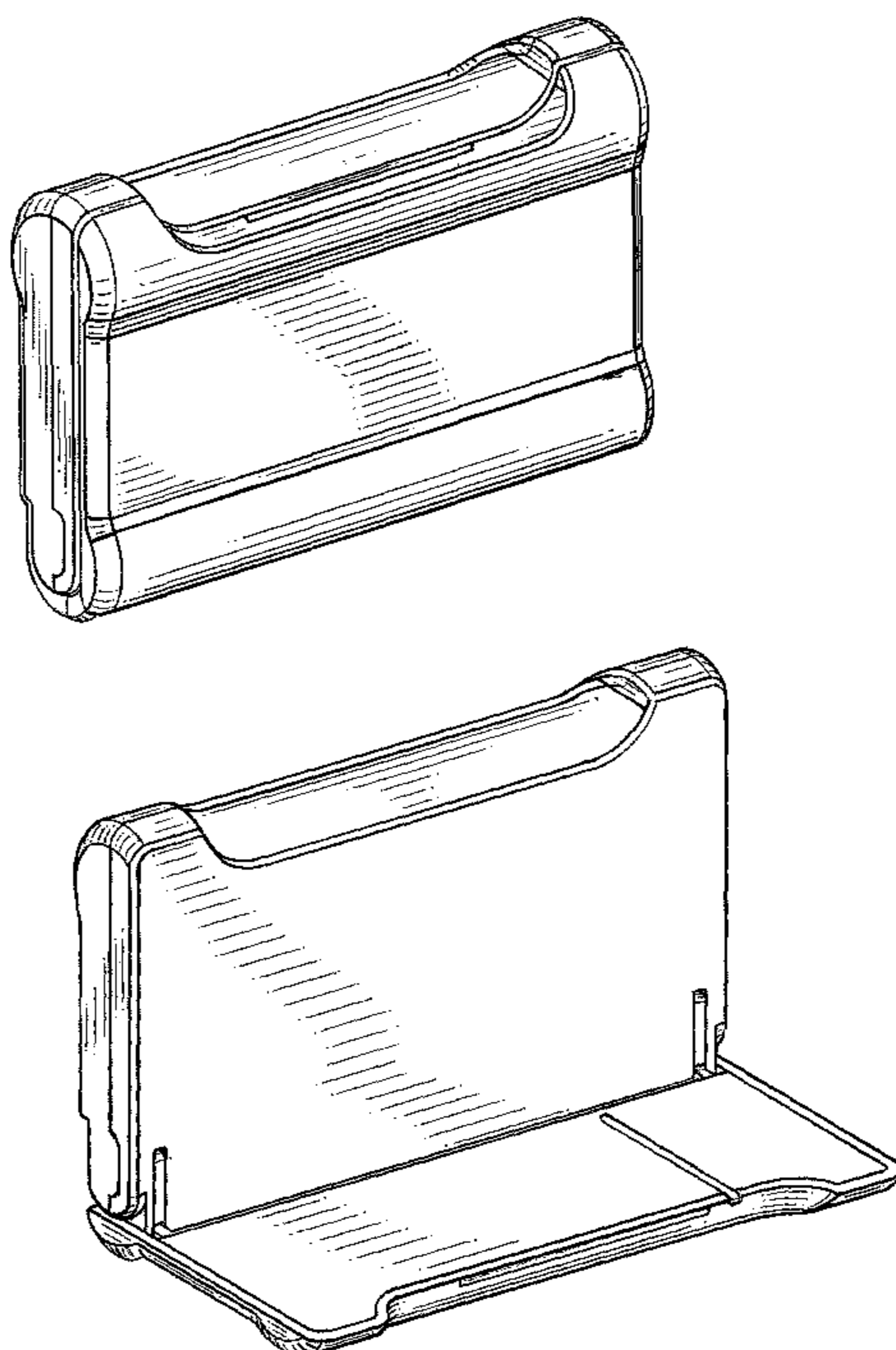


FIG.1

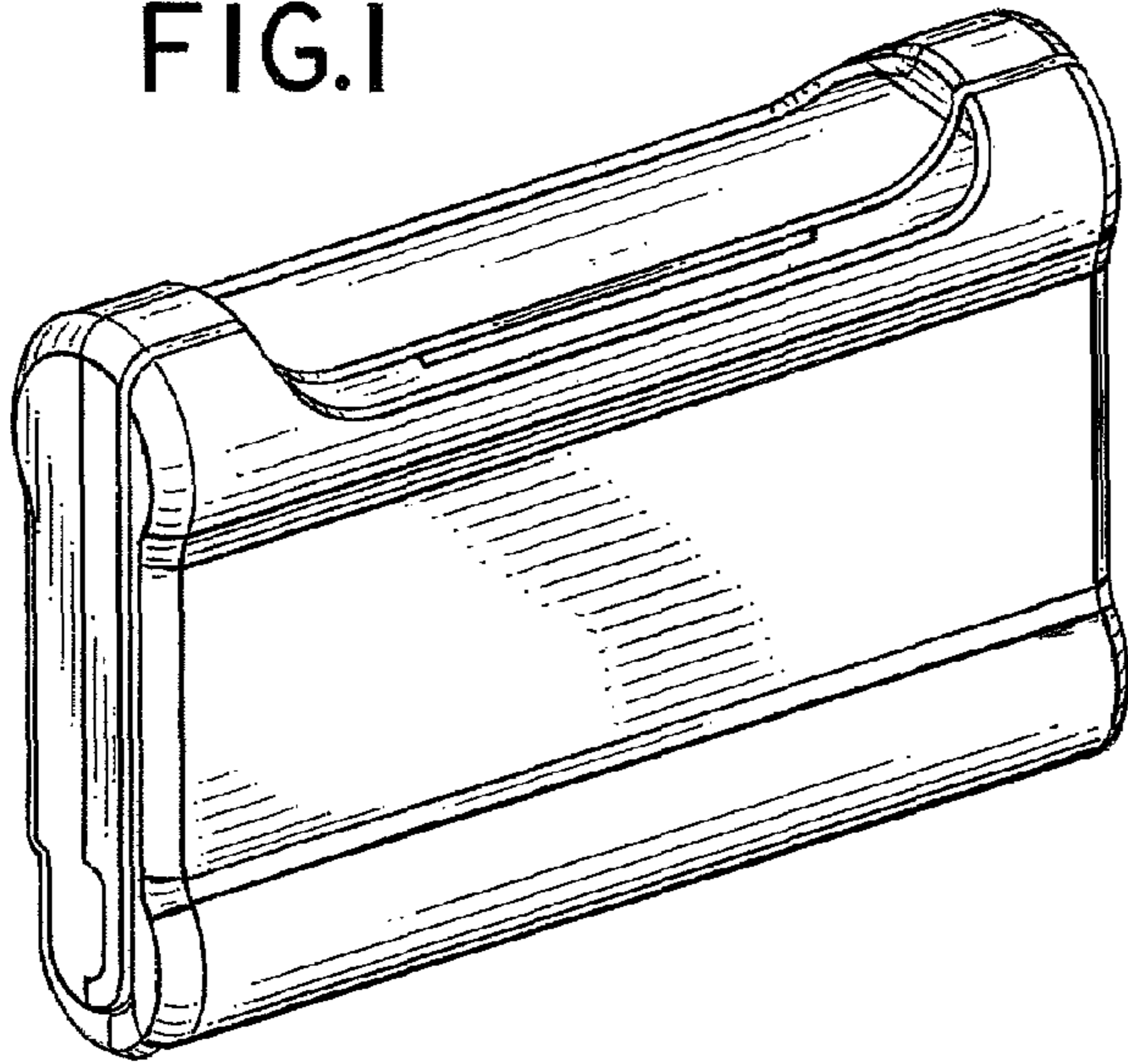


FIG.2

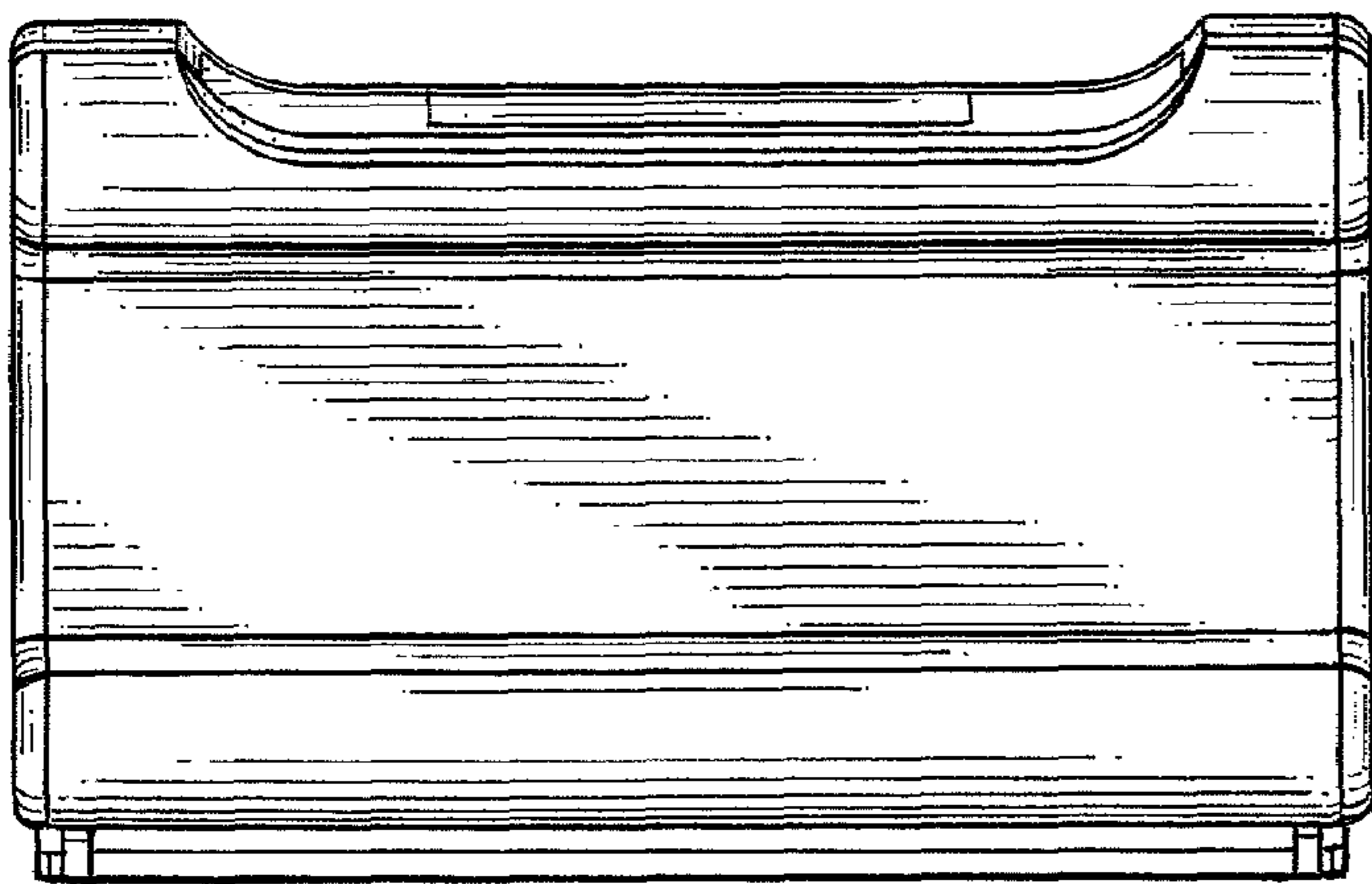
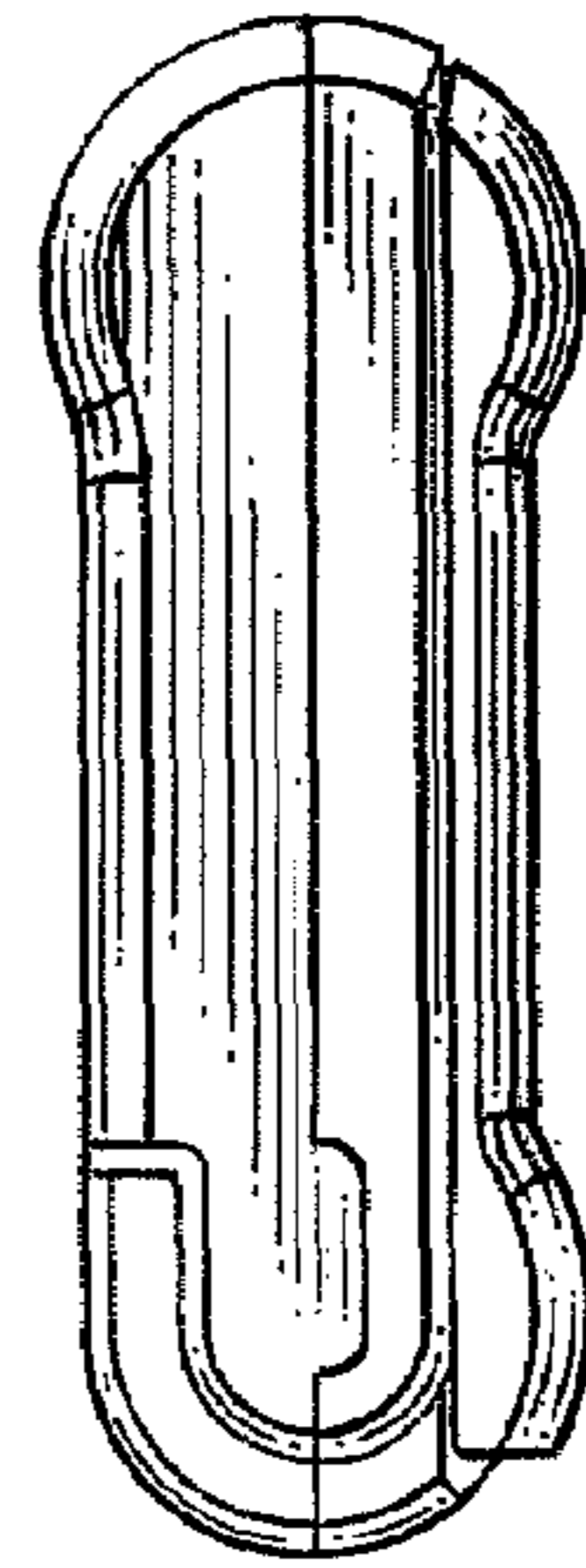


FIG.3

FIG.4

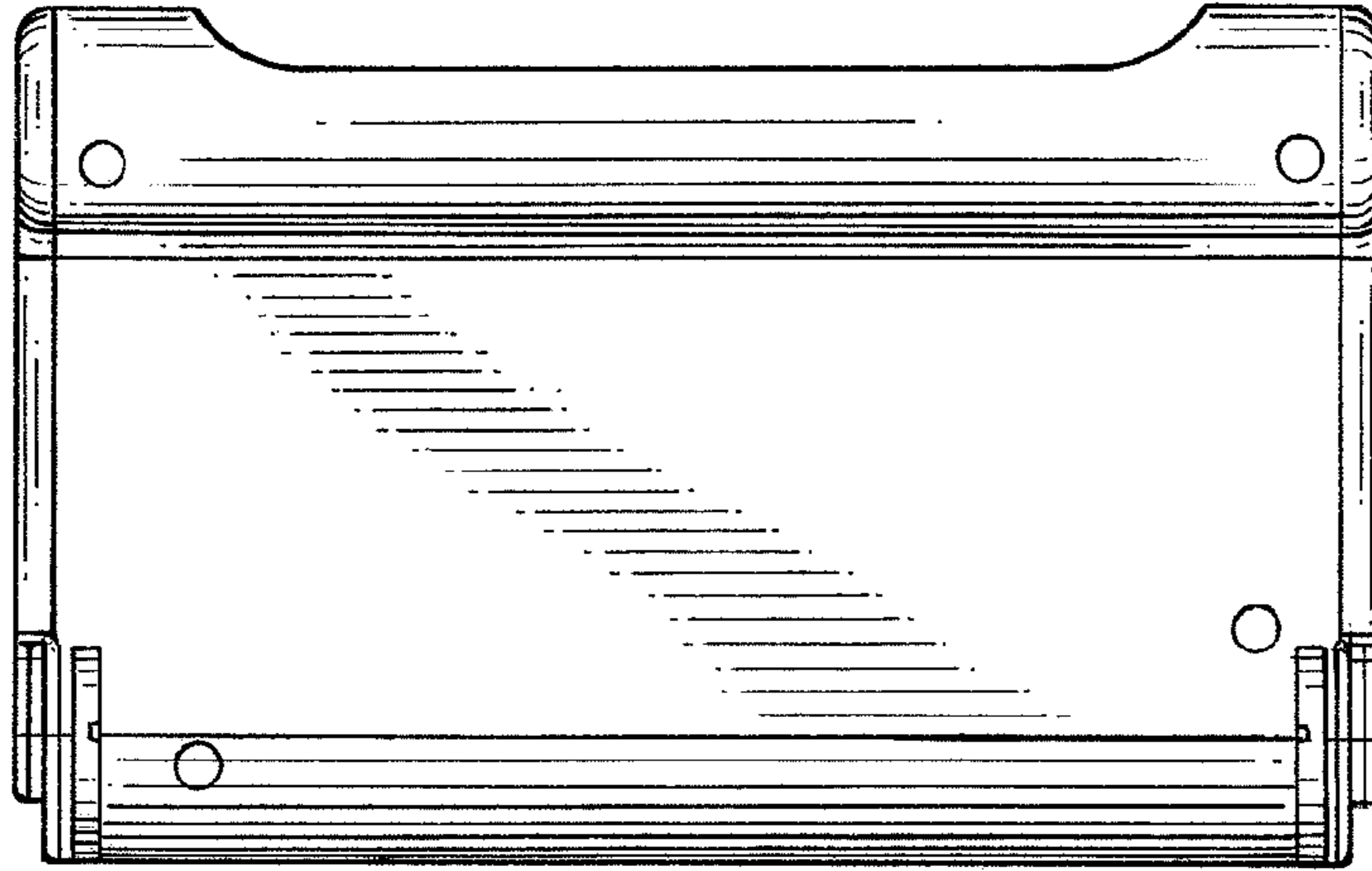


FIG.5

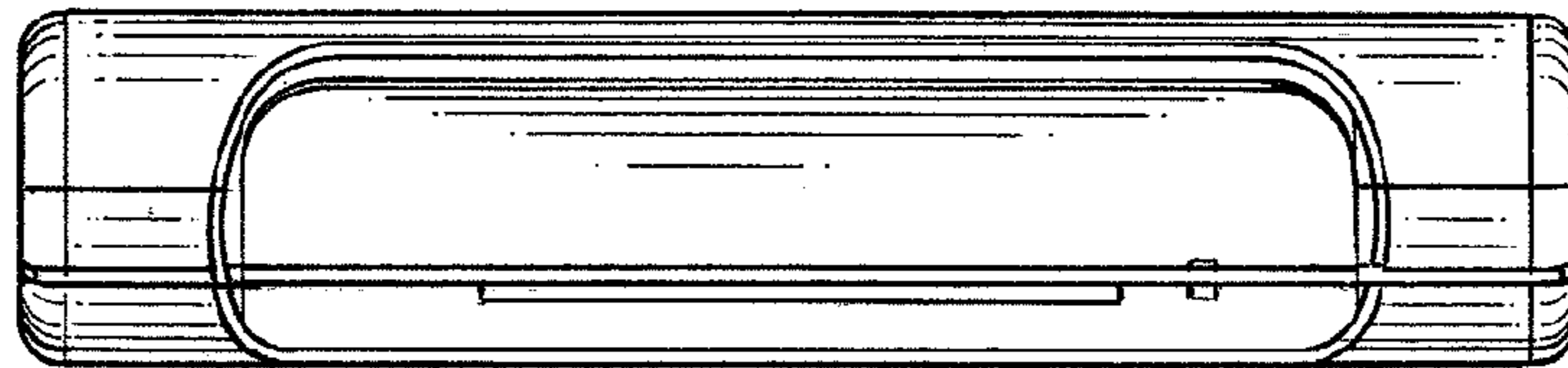


FIG.6

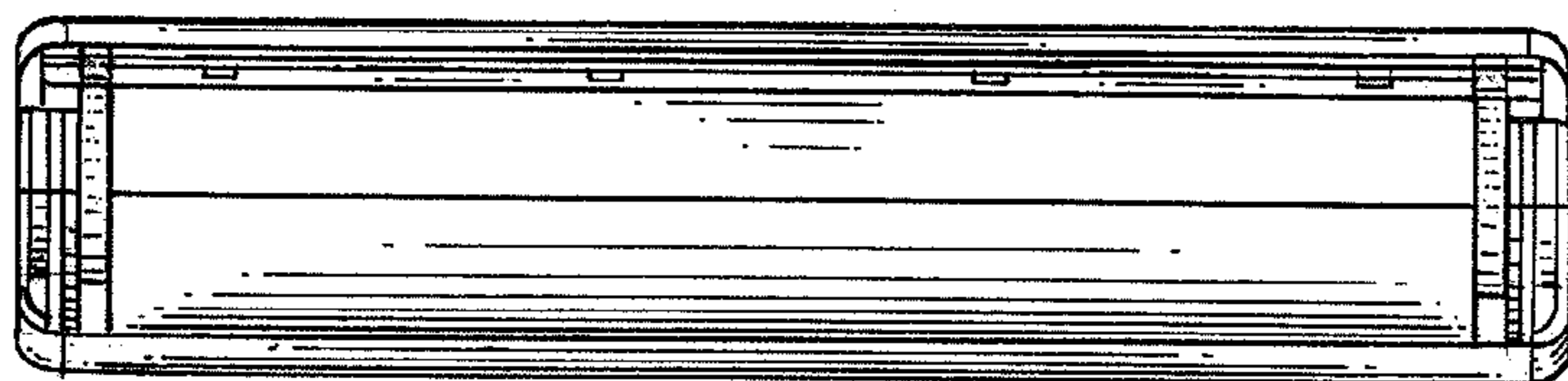


FIG.7

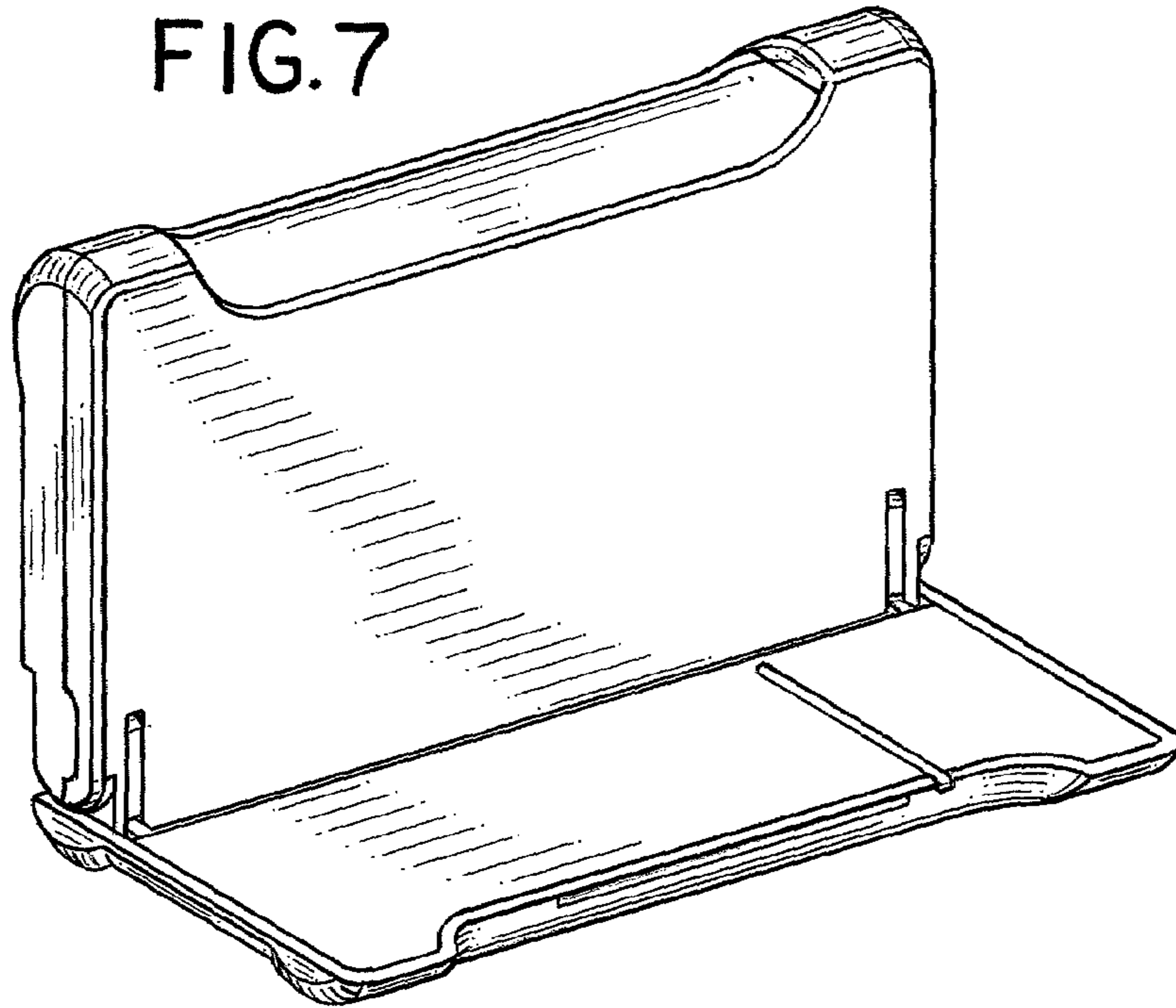


FIG.8

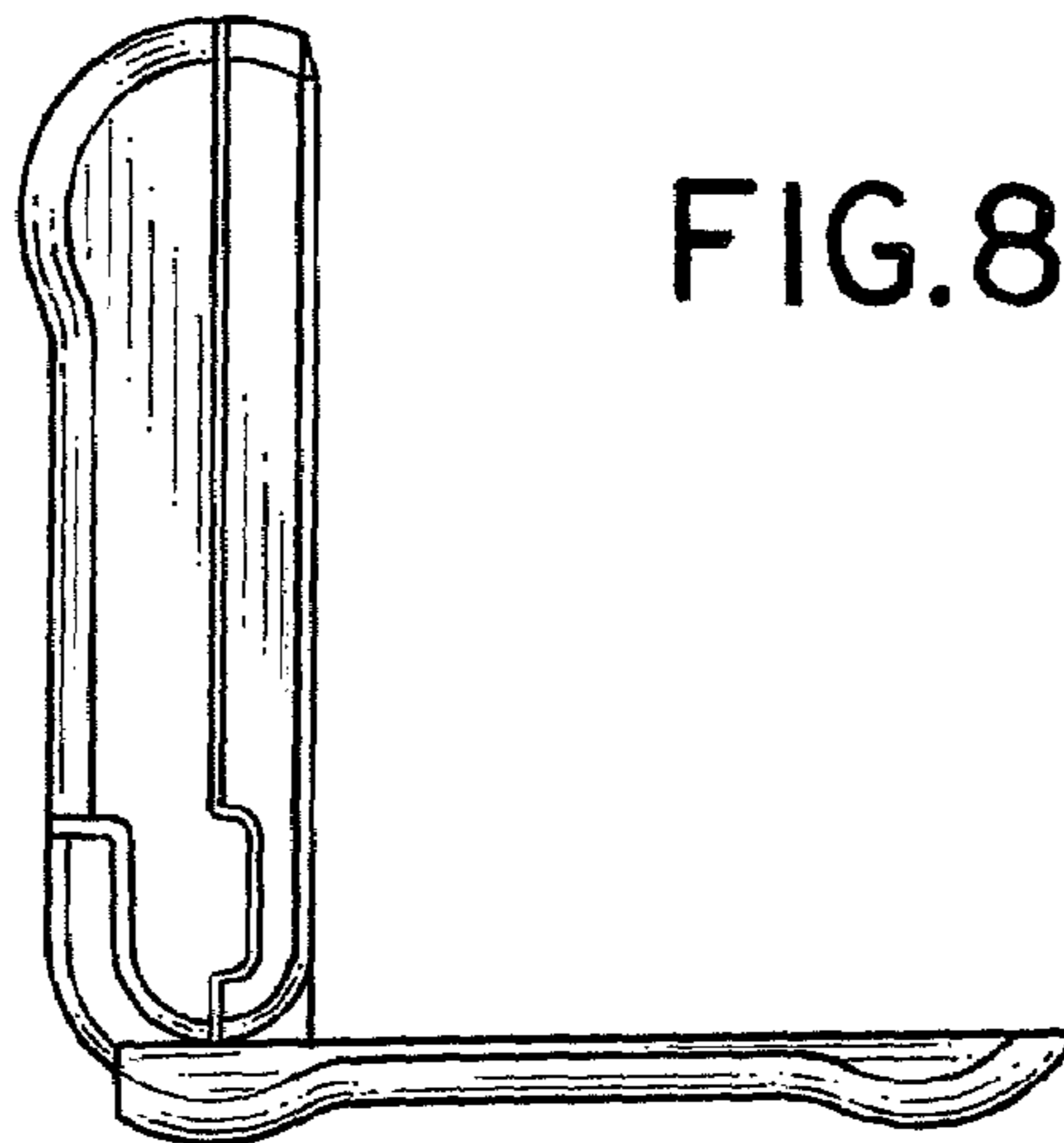


FIG.9

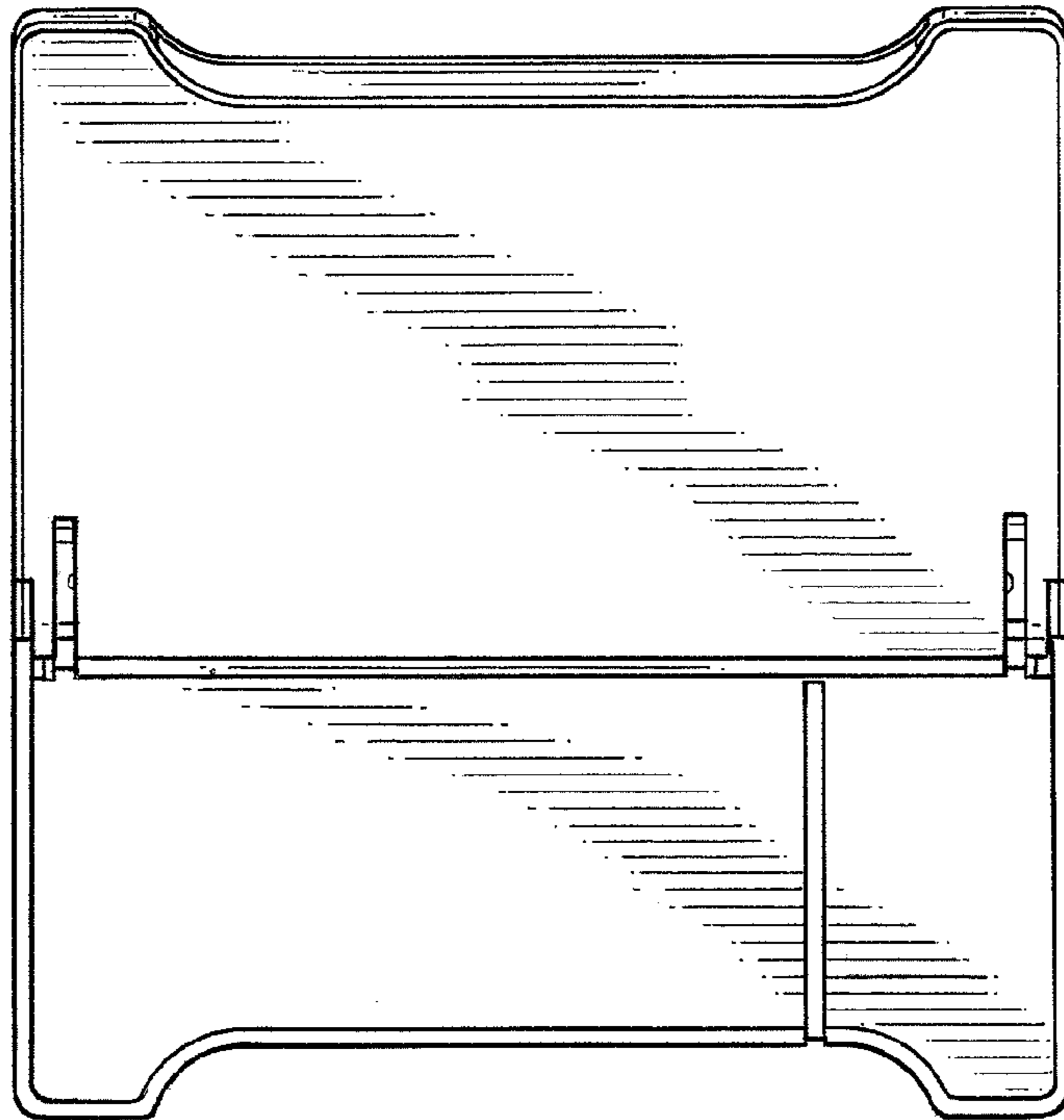


FIG.10

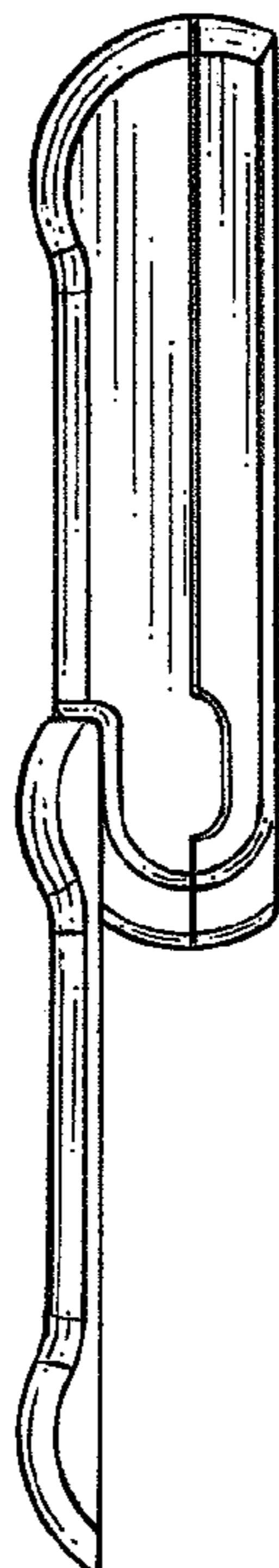


FIG. II

