



US00D585175S

(12) **United States Design Patent**
Campbell et al.

(10) **Patent No.:** **US D585,175 S**
(45) **Date of Patent:** **** Jan. 20, 2009**

(54) **CROSS MEMBER EXTRUSION FOR A COMPACTUS ASSEMBLY**

(75) Inventors: **George Giles Campbell**, Hilton (AU);
Brian Maurice Parker, Edwardstown (AU)

(73) Assignee: **Glidestore Freetrack Pty Ltd** (AU)

(**) Term: **14 Years**

(21) Appl. No.: **29/301,182**

(22) Filed: **Feb. 14, 2008**

(51) **LOC (9) Cl.** **12-05**

(52) **U.S. Cl.** **D34/29**

(58) **Field of Classification Search** D34/29,
D34/35; D25/122, 199, 121, 120, 123, 125,
D25/136; 238/122, 127, 268; 49/467, 468;
198/300, 841, 678.1, 685, 686, 687
See application file for complete search history.

(56) **References Cited**

U.S. PATENT DOCUMENTS

D220,566 S * 4/1971 Weeks D25/119
D299,868 S * 2/1989 Fortier D25/119
D300,063 S * 2/1989 Sheltra D25/120

4,989,782 A * 2/1991 McKie 238/10 R
D460,567 S * 7/2002 McDonough D25/122
D515,266 S * 2/2006 Moe D34/35
D518,900 S * 4/2006 Barnett D25/119
D547,883 S * 7/2007 Aughton et al. D25/119

* cited by examiner

Primary Examiner—Cynthia E Ramirez

(74) *Attorney, Agent, or Firm*—Francis Law Group

(57) **CLAIM**

I claim the ornamental design for a cross member extrusion for a compactus assembly, as shown and described.

DESCRIPTION

FIG. 1 is a perspective view of our new design for a cross member extrusion for a compactus assembly;

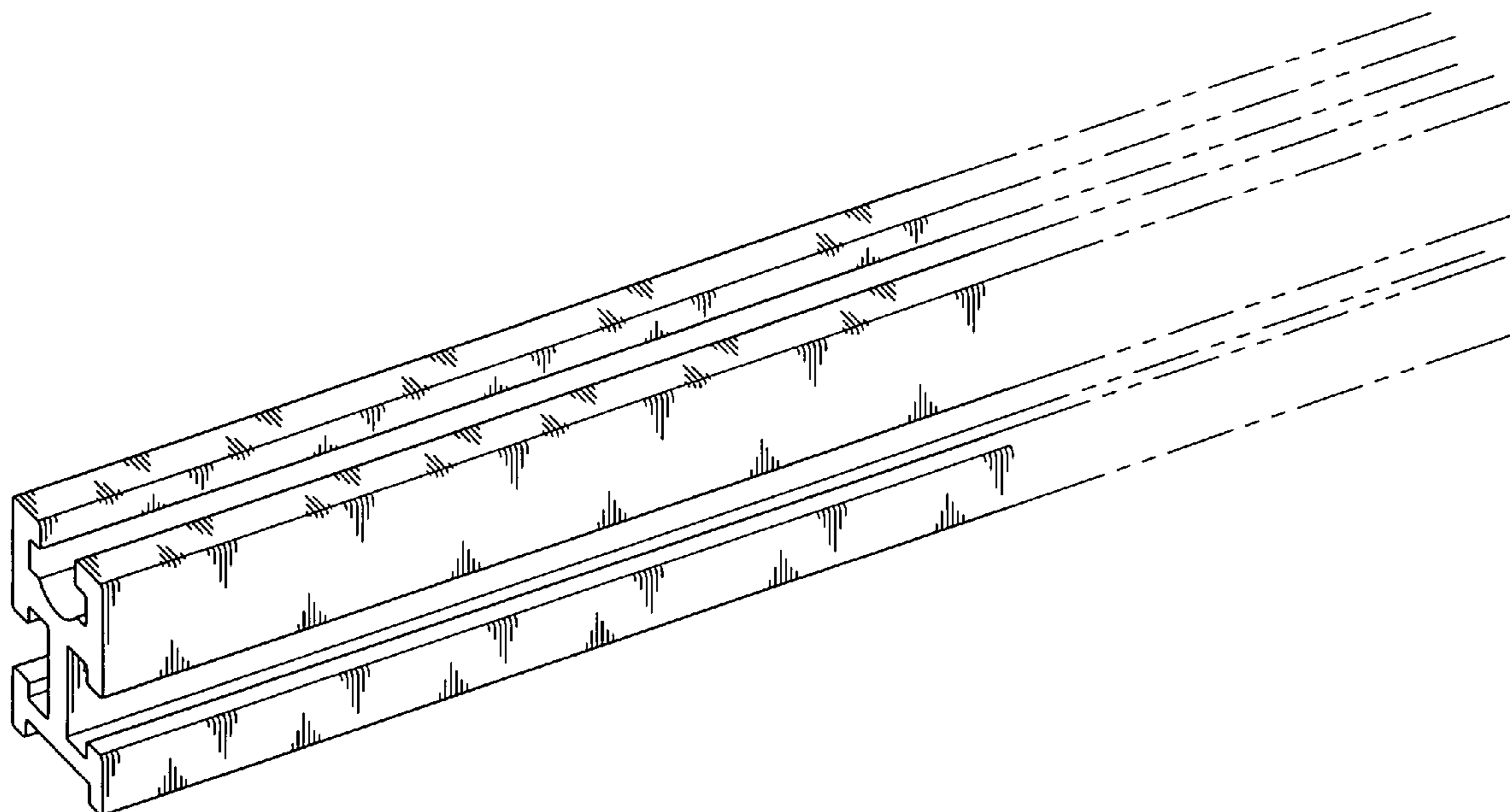
FIG. 2 is a front elevational view thereof; the rear elevational view thereof being identical to said front elevational view;

FIG. 3 is a right side elevational view thereof; the left side elevational view thereof being identical to said right side elevational view;

FIG. 4 is a top elevational view thereof; and,

FIG. 5 is a bottom elevational view thereof.

1 Claim, 2 Drawing Sheets



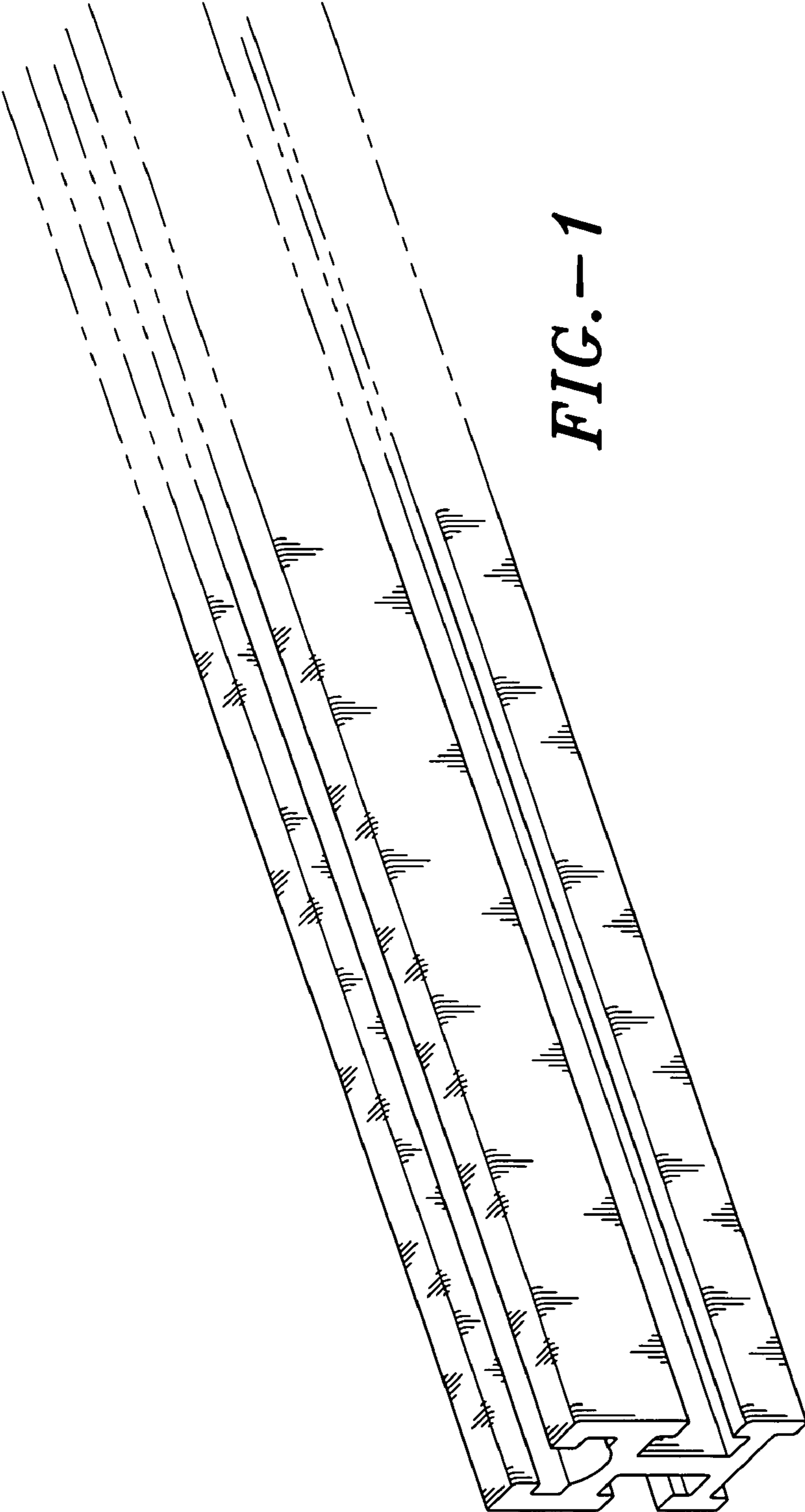


FIG. -1

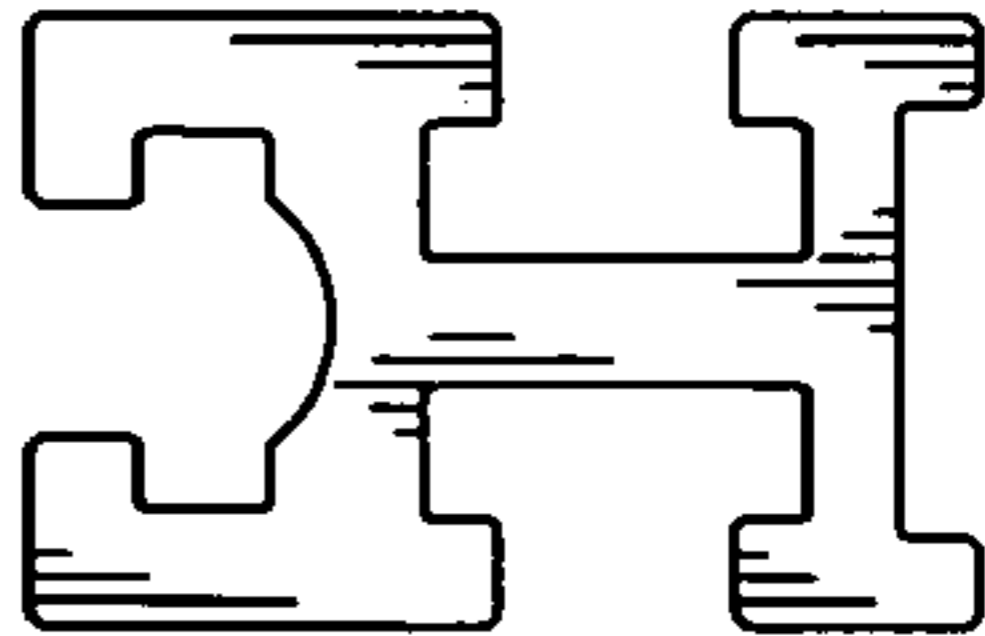


FIG. -2

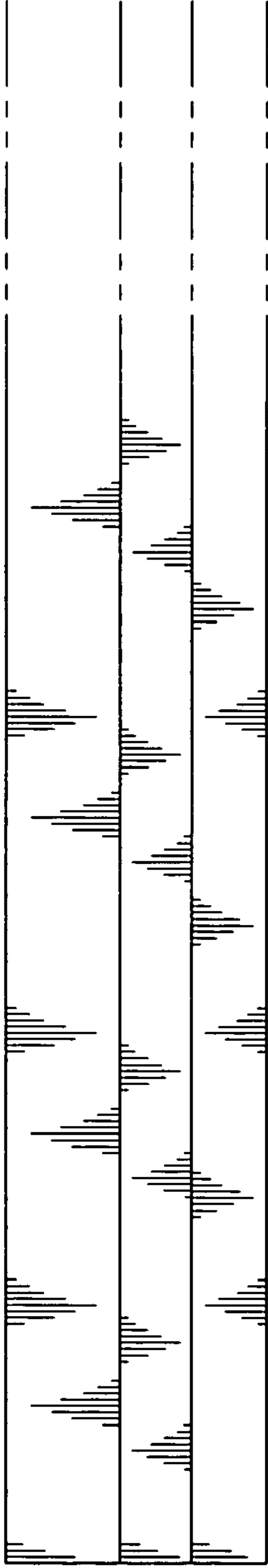


FIG. -3

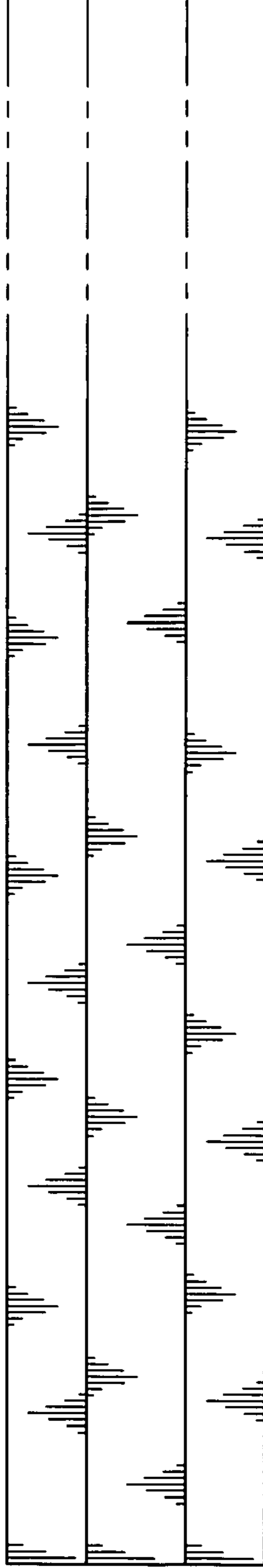


FIG. -4

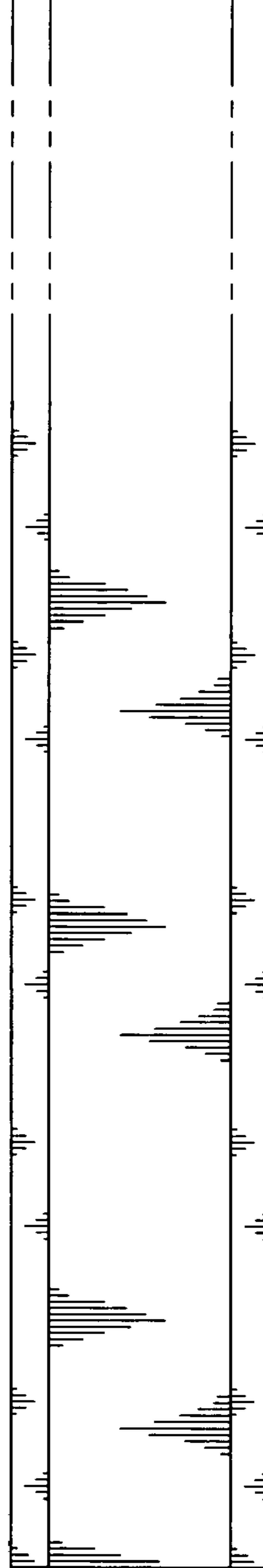


FIG. -5