



US00D585174S

(12) **United States Design Patent**
Derry et al.

(10) **Patent No.:** **US D585,174 S**
(45) **Date of Patent:** **** Jan. 20, 2009**

(54) **CART SYSTEM WITH POLE MOUNT**

(75) Inventors: **Bradley A. Derry**, Easton, PA (US);
David VanDuzer, Tipton, PA (US);
Christopher Eric Grim, Freemansburg,
PA (US)

(73) Assignee: **Innovative Office Products, Inc.**,
Easton, PA (US)

(**) Term: **14 Years**

(21) Appl. No.: **29/294,923**

(22) Filed: **Feb. 1, 2008**

(51) **LOC (9) Cl.** **12-02**

(52) **U.S. Cl.** **D34/17**

(58) **Field of Classification Search** D34/12-27;
280/47.34, 654, 655, 655.1, 47.371

See application file for complete search history.

(56) **References Cited**

U.S. PATENT DOCUMENTS

D219,649	S	*	1/1971	Saleman et al.	D34/17
4,203,609	A	*	5/1980	Mitchell et al.	280/47.11
D302,063	S	*	7/1989	Frazier et al.	D34/17
5,114,118	A	*	5/1992	Schrader	254/8 R
5,816,586	A	*	10/1998	Richmond	280/47.34
D404,871	S	*	1/1999	Golichowski et al.	D34/17
6,685,200	B1	*	2/2004	Giannoni et al.	280/47.35
2006/0220334	A1	*	10/2006	Liao	280/47.34

* cited by examiner

Primary Examiner—Cynthia E Ramirez

(74) *Attorney, Agent, or Firm*—Lerner, David, Littenberg,
Krumholz & Mentlik, LLP

(57) **CLAIM**

The ornamental design for a cart system with pole mount, as
shown and described.

DESCRIPTION

This application is related to U.S. Design patent application
Ser. No. 29/294,914, filed on Feb. 1, 2008, the entire disclo-
sures of which, including the figures and attendant descrip-
tions thereof, are hereby expressly incorporated by reference
herein.

FIG. 1 is a first perspective view of the cart system with pole
mount showing my design;

FIG. 2 is a second perspective view of the cart system with
pole mount of FIG. 1;

FIG. 3 is a left side elevational view of the cart system with
pole mount of FIG. 1, the right side elevational view being a
mirror image of the left side;

FIG. 4 is a rear elevational view of the cart system with pole
mount of FIG. 1;

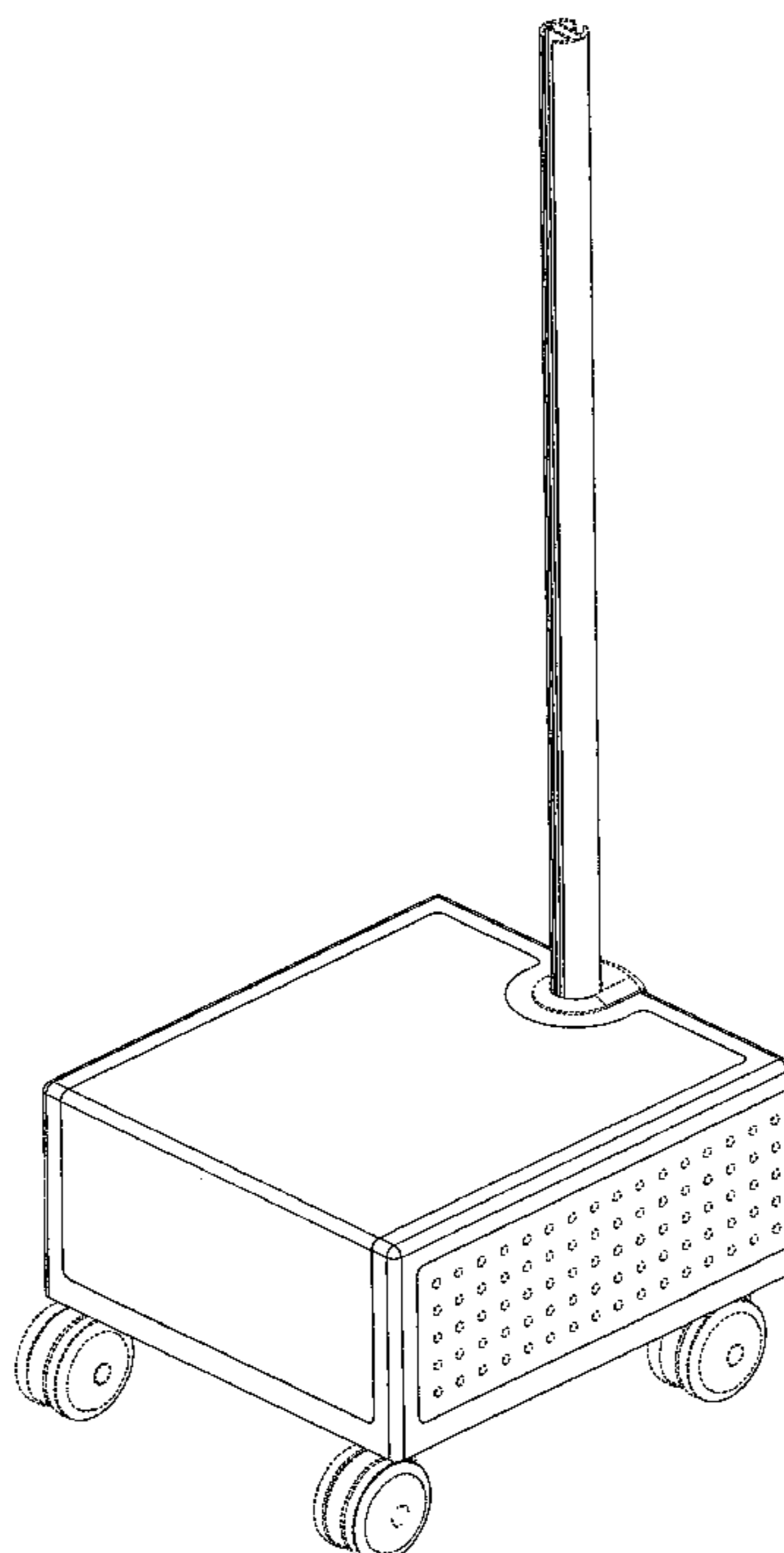
FIG. 5 is a front elevational view of the cart system with pole
mount of FIG. 1;

FIG. 6 is a top plan view of the cart system with pole mount
of FIG. 1; and,

FIG. 7 is a bottom plan view of the cart system with pole
mount of FIG. 1.

The broken line showing is included for the purpose of illus-
trating environment and forms no part of the claimed design.

1 Claim, 7 Drawing Sheets



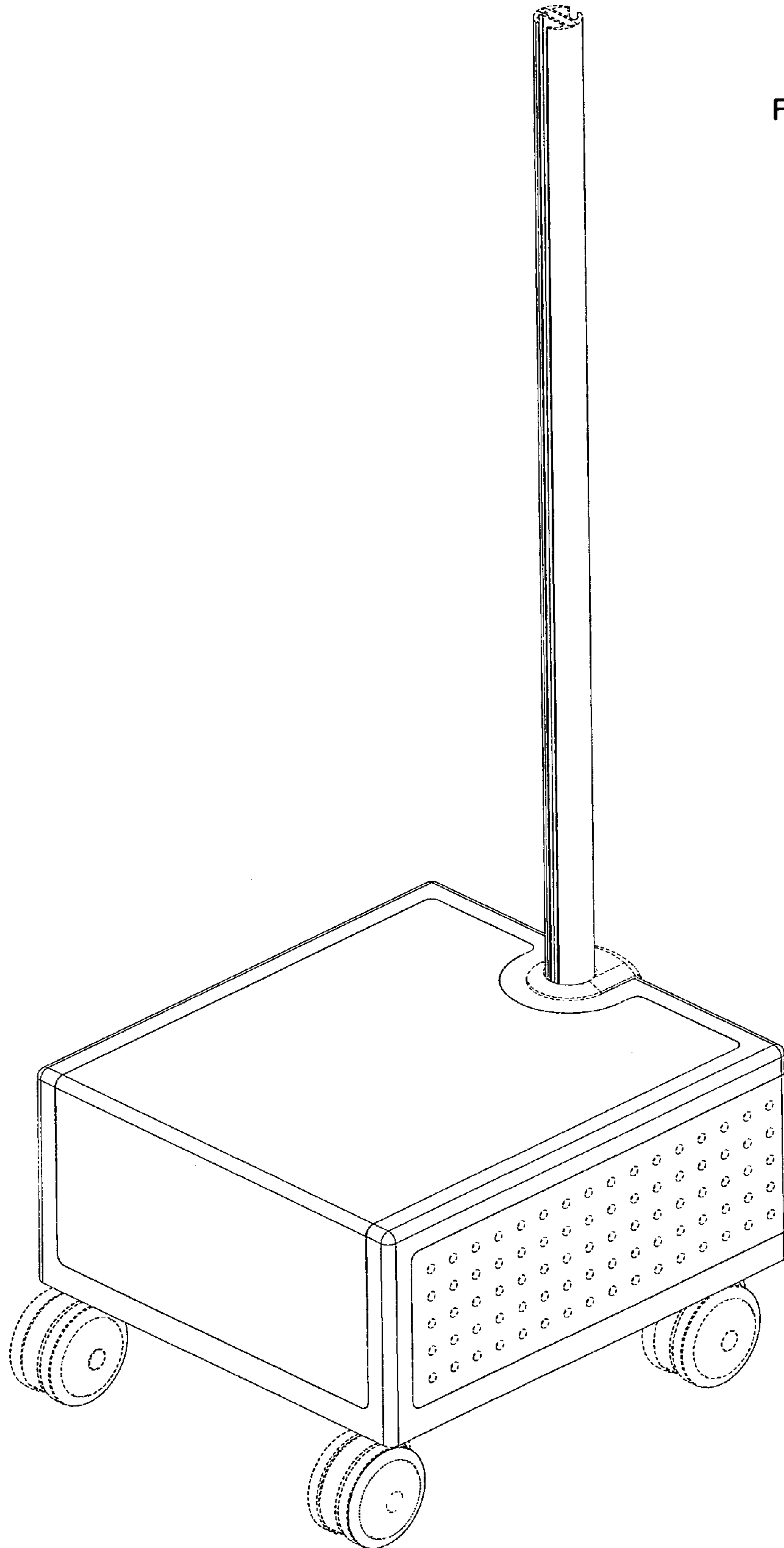


FIG. 1

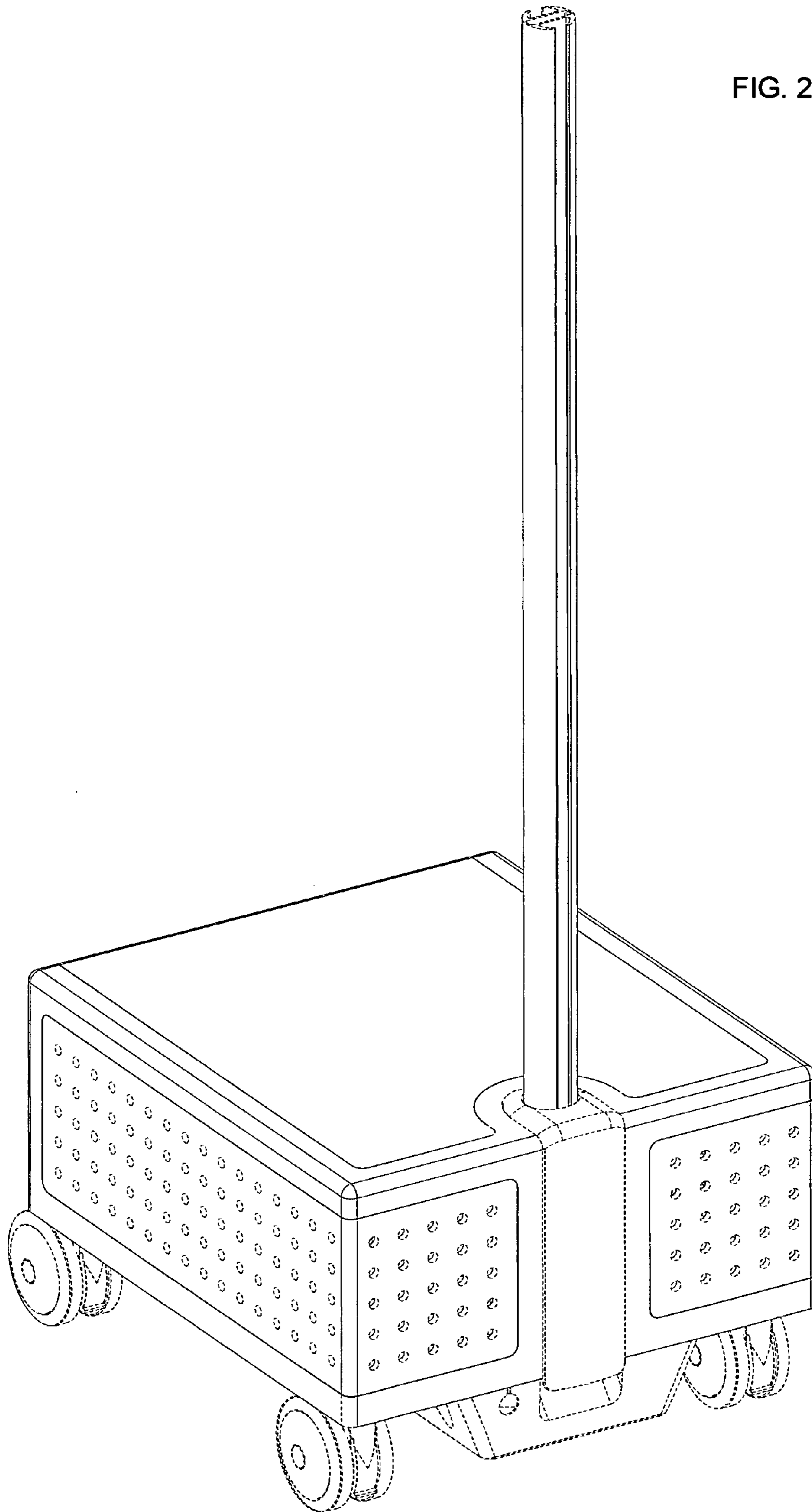


FIG. 2

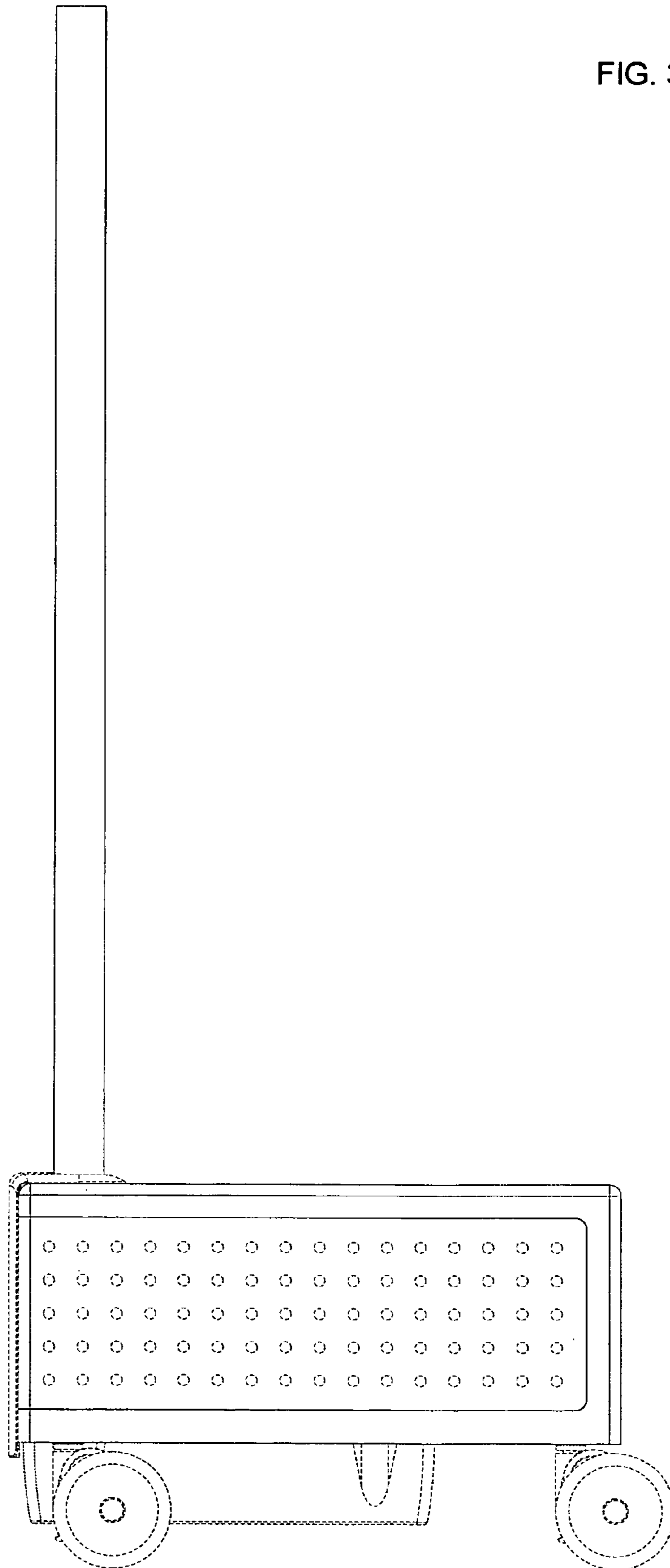


FIG. 3

FIG. 4

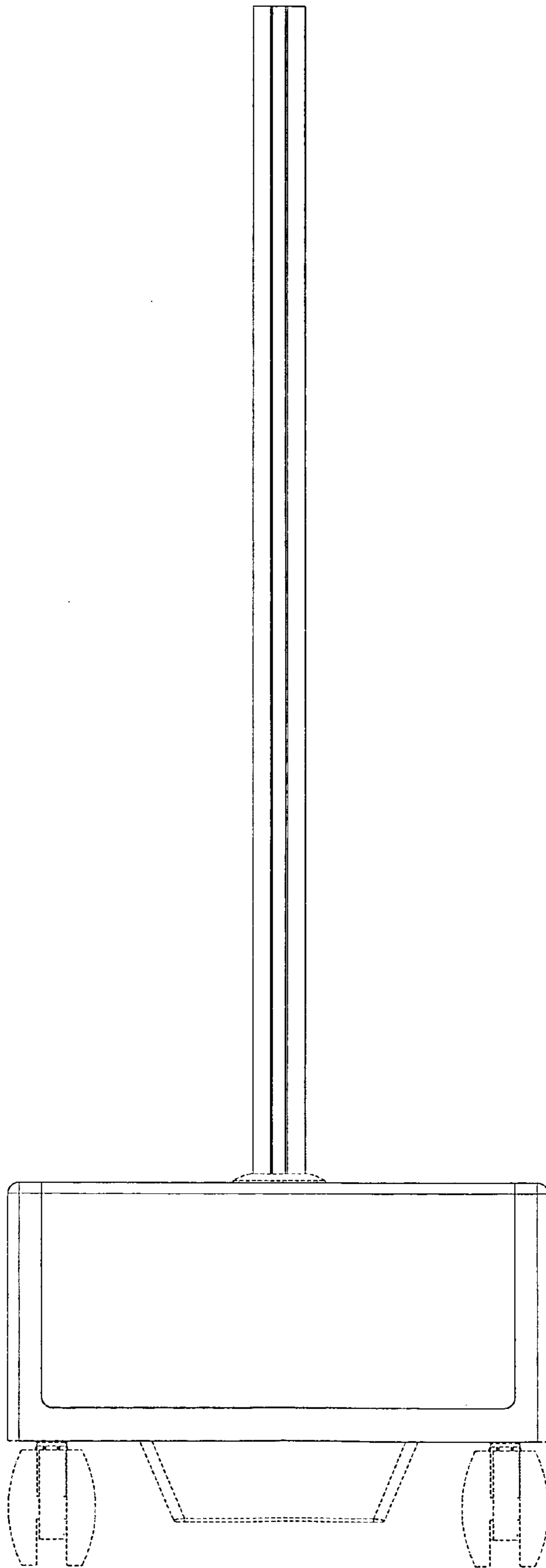


FIG. 5

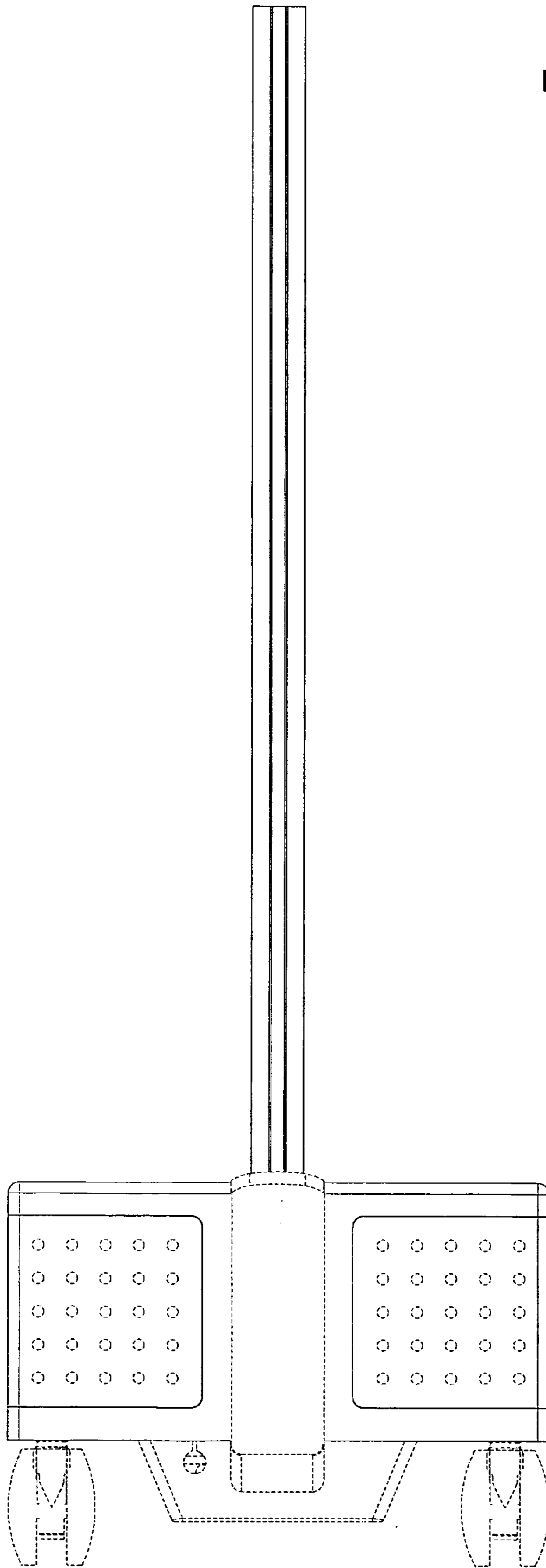


FIG. 6

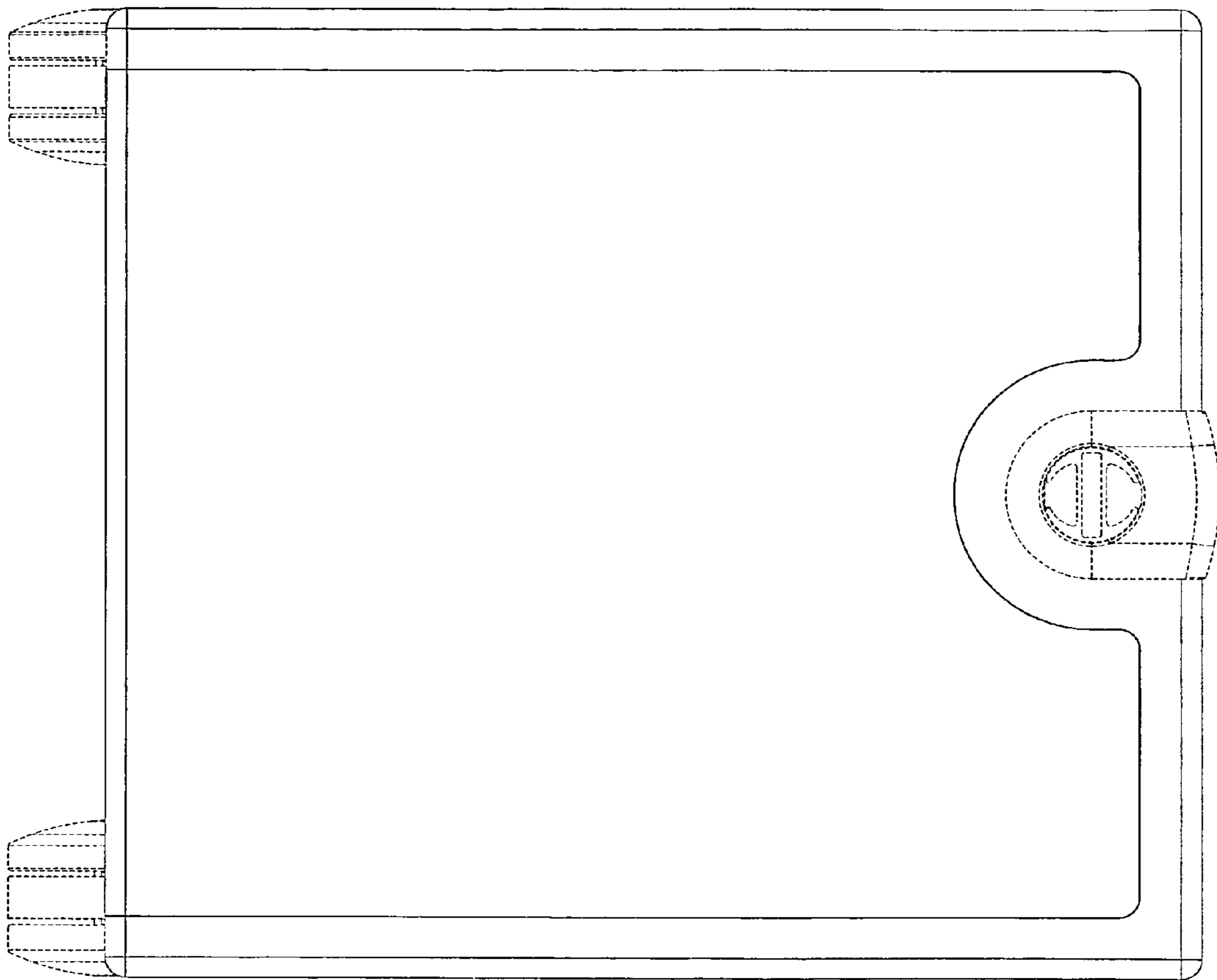


FIG. 7

