



US00D585173S

(12) **United States Design Patent**
Derry et al.

(10) **Patent No.:** **US D585,173 S**
(45) **Date of Patent:** **** Jan. 20, 2009**

(54) **CART SYSTEM WITH POLE MOUNT**

(75) Inventors: **Bradley A. Derry**, Easton, PA (US);
David VanDuzer, Topton, PA (US);
Christopher Eric Grim, Freemansburg,
PA (US)

(73) Assignee: **Innovative Office Products, Inc.**,
Easton, PA (US)

(**) Term: **14 Years**

(21) Appl. No.: **29/294,914**

(22) Filed: **Feb. 1, 2008**

(51) **LOC (9) Cl.** **12-02**

(52) **U.S. Cl.** **D34/17**

(58) **Field of Classification Search** D34/12-27;
280/47.34, 654, 655, 655.1, 47.371

See application file for complete search history.

(56) **References Cited**

U.S. PATENT DOCUMENTS

D219,649	S	*	1/1971	Saleman et al.	D34/17
4,203,609	A	*	5/1980	Mitchell et al.	280/47.11
D302,063	S	*	7/1989	Frazier et al.	D34/17
5,114,118	A	*	5/1992	Schrader	254/8 R
5,816,586	A	*	10/1998	Richmond	280/47.34
D404,871	S	*	1/1999	Golichowski et al.	D34/17
6,685,200	B1	*	2/2004	Giannoni et al.	280/47.35
2006/0220334	A1	*	10/2006	Liao	280/47.34

* cited by examiner

Primary Examiner—Cynthia E Ramirez

(74) *Attorney, Agent, or Firm*—Lerner, David, Littenberg,
Krumholz & Mentlik, LLP

(57) **CLAIM**

The ornamental design for a cart system with pole mount, as shown and described.

DESCRIPTION

This application is related to U.S. Design patent application Ser. No. 29/294,914 filed on Feb. 1, 2008 and to Provisional patent application Ser. No. 61/063,238 filed on Feb. 1, 2008, the entire disclosures of which, including the figures and attendant descriptions thereof, are hereby expressly incorporated by reference herein.

FIG. 1 is a first perspective view of the cart system with pole mount showing my design;

FIG. 2 is a second perspective view of the cart system with pole mount of FIG. 1;

FIG. 3 is a left side elevational view of the cart system with pole mount of FIG. 1, the right side elevational view being a mirror image of the left side;

FIG. 4 is a front elevational view of the cart system with pole mount of FIG. 1;

FIG. 5 is a rear elevational view of the cart system with pole mount of FIG. 1;

FIG. 6 is a top plan view of the cart system with pole mount of FIG. 1; and,

FIG. 7 is a bottom plan view of the cart system with pole mount of FIG. 1.

The broken line showing is included for the purpose of illustrating environment and forms no part of the claimed design.

1 Claim, 7 Drawing Sheets

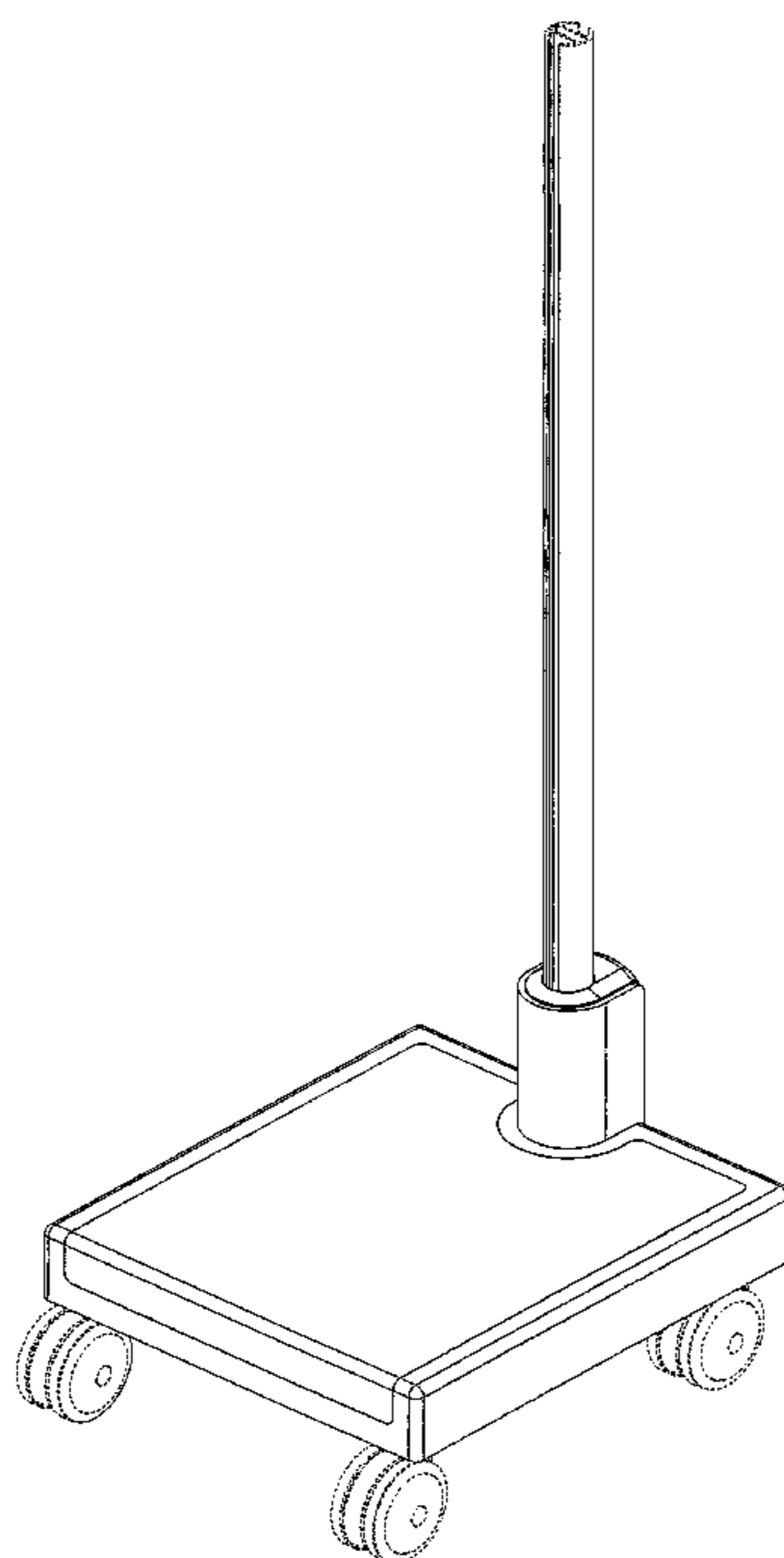


FIG. 1

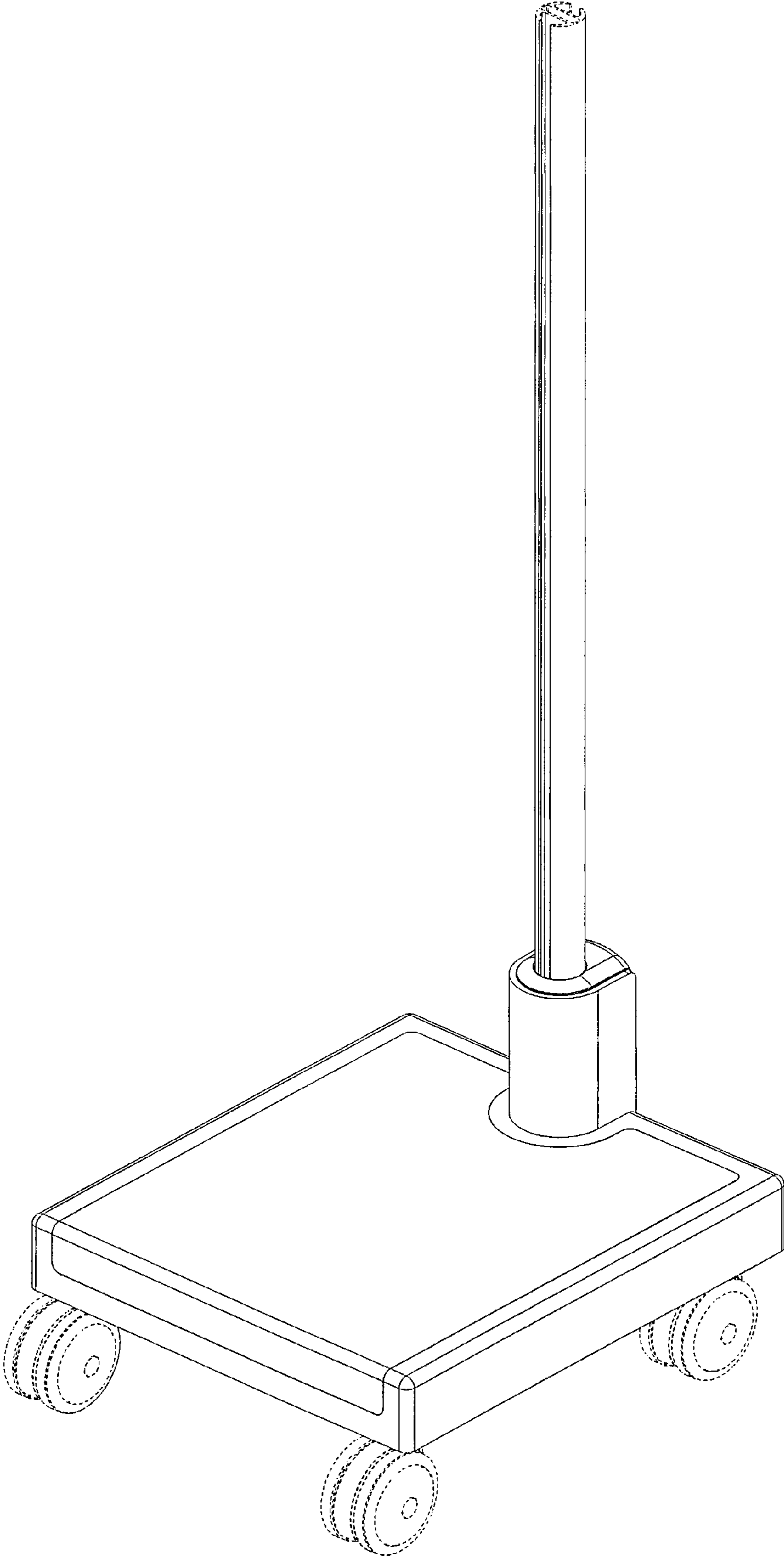


FIG. 2

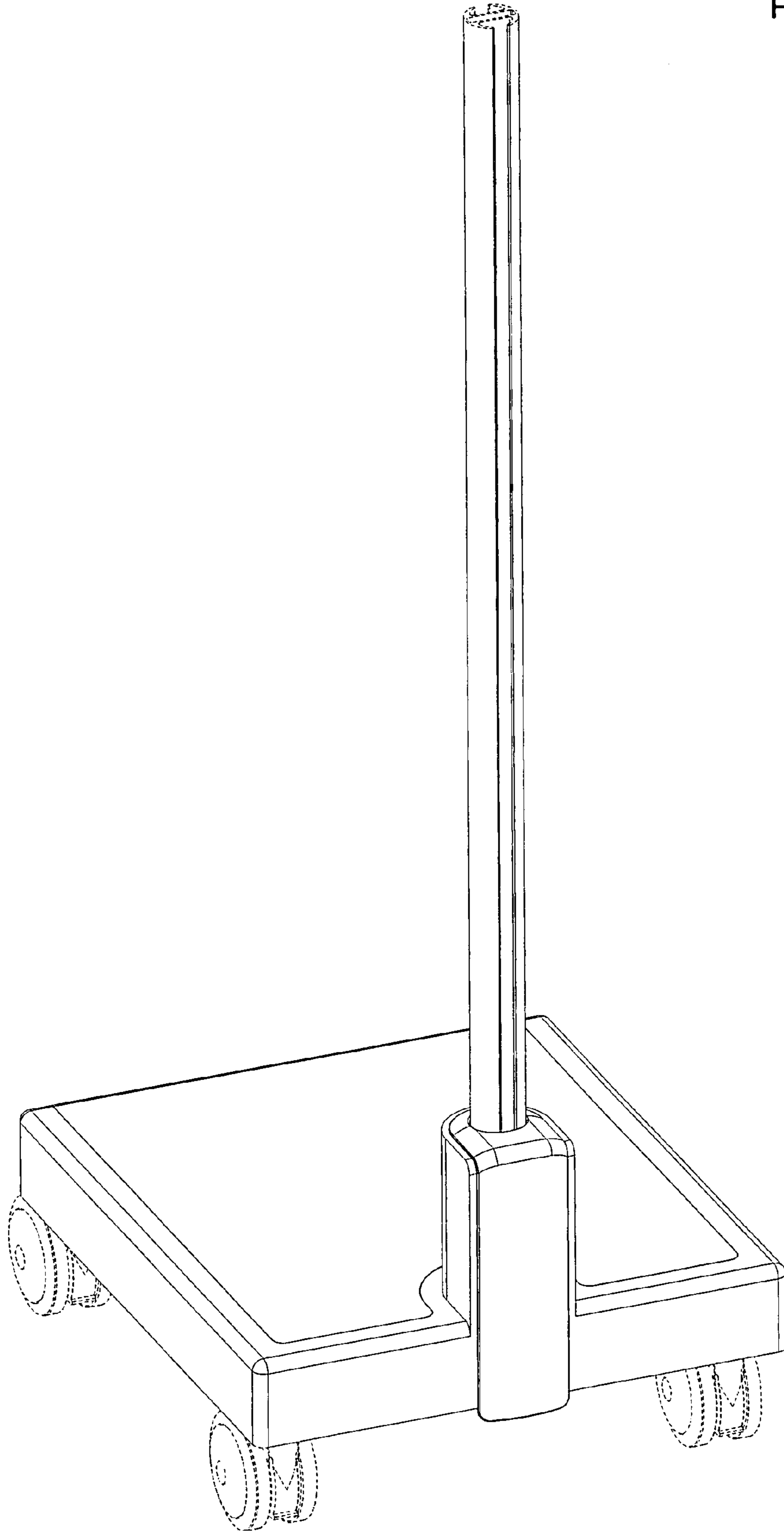


FIG. 3

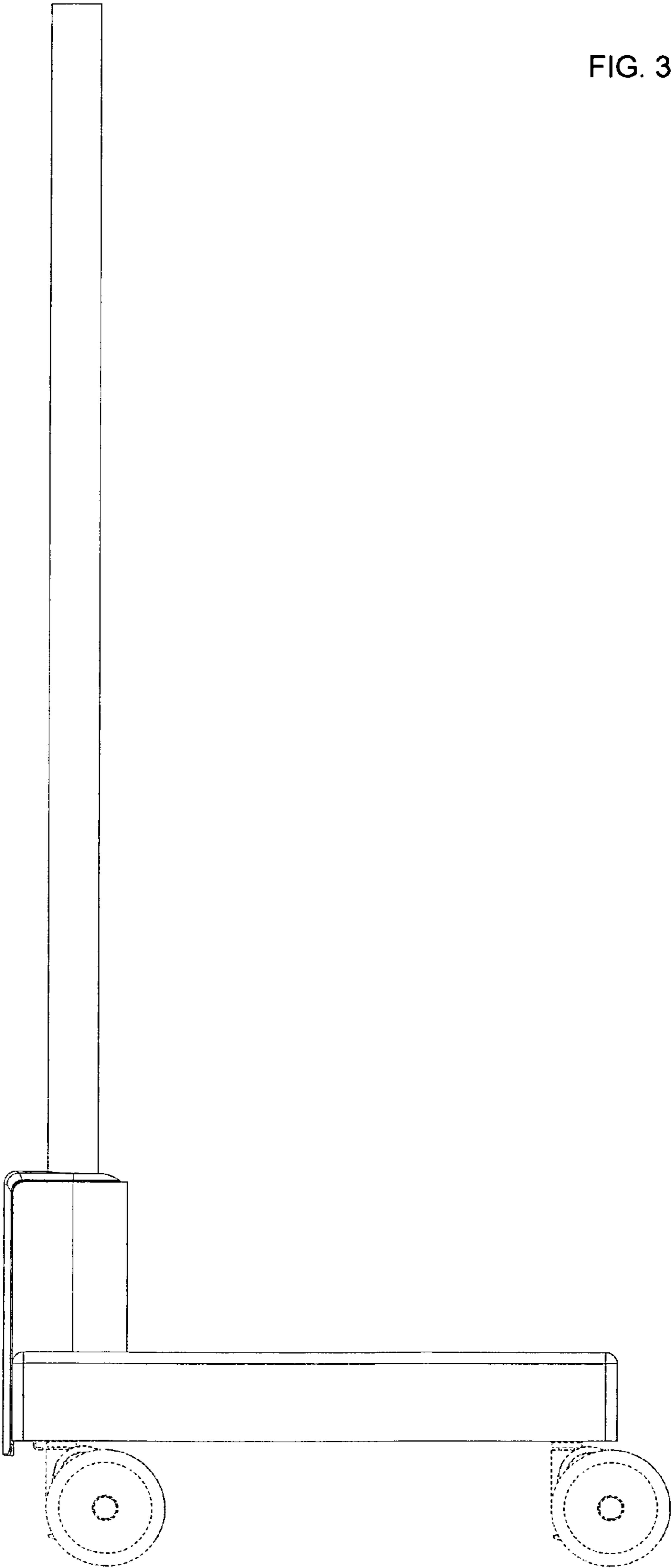


FIG. 4

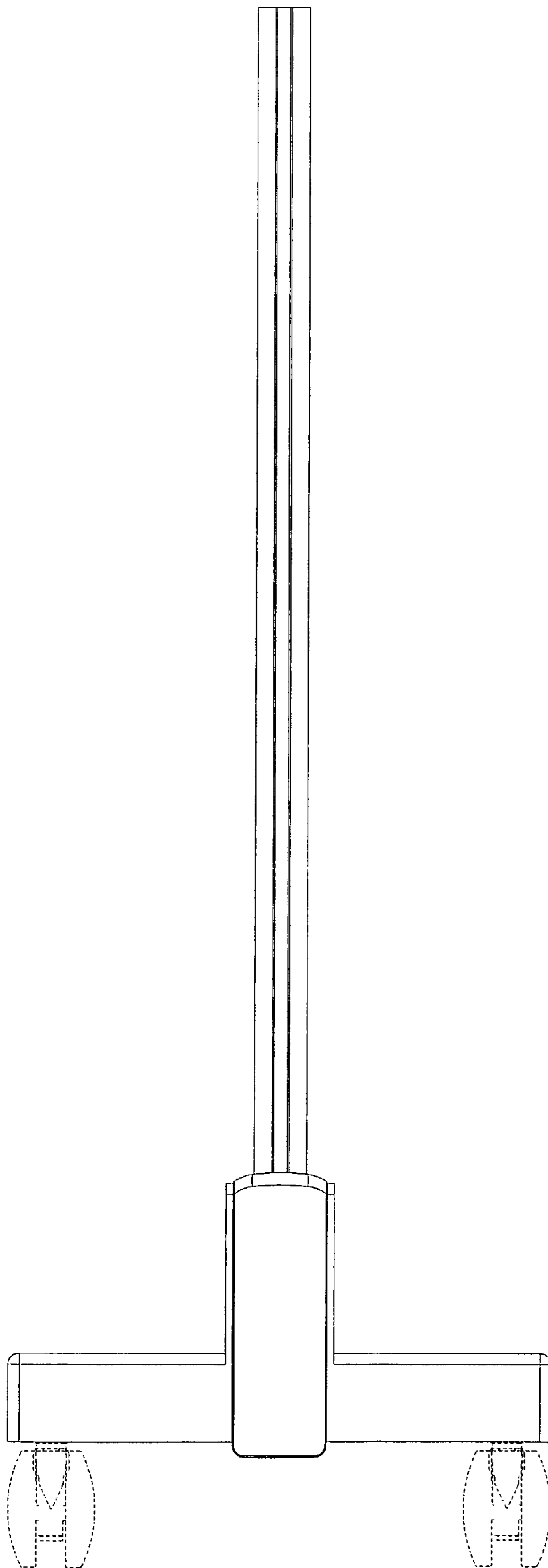


FIG. 5

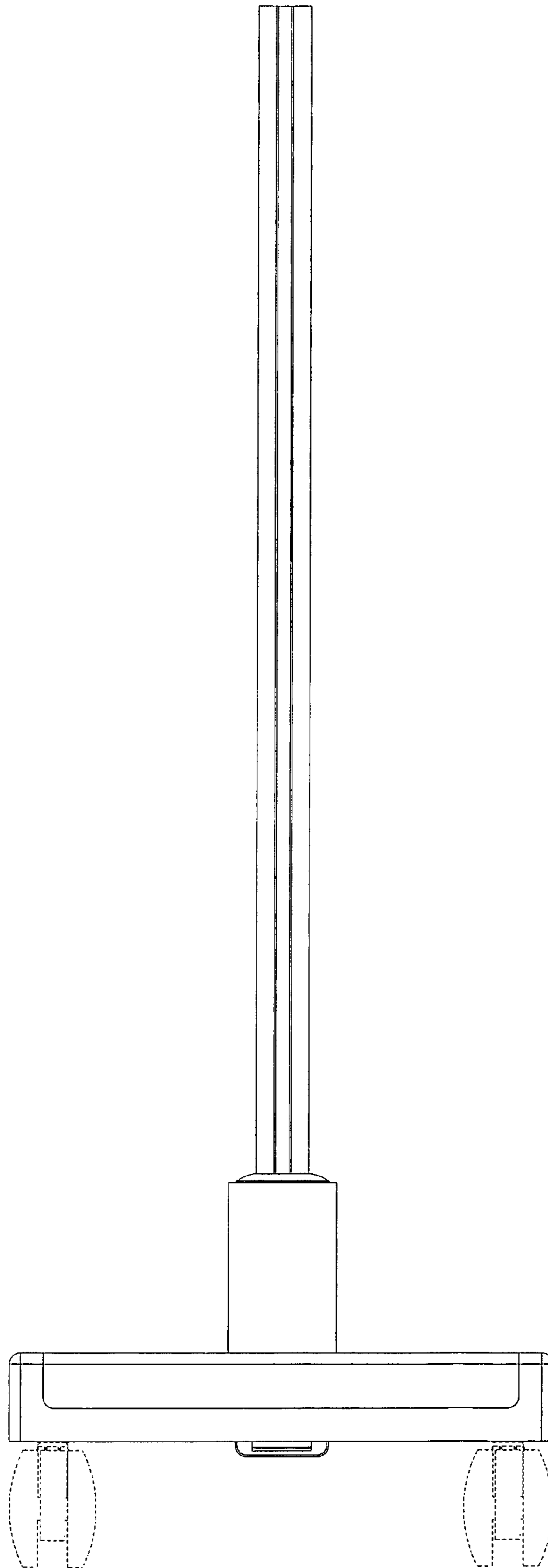


FIG. 6

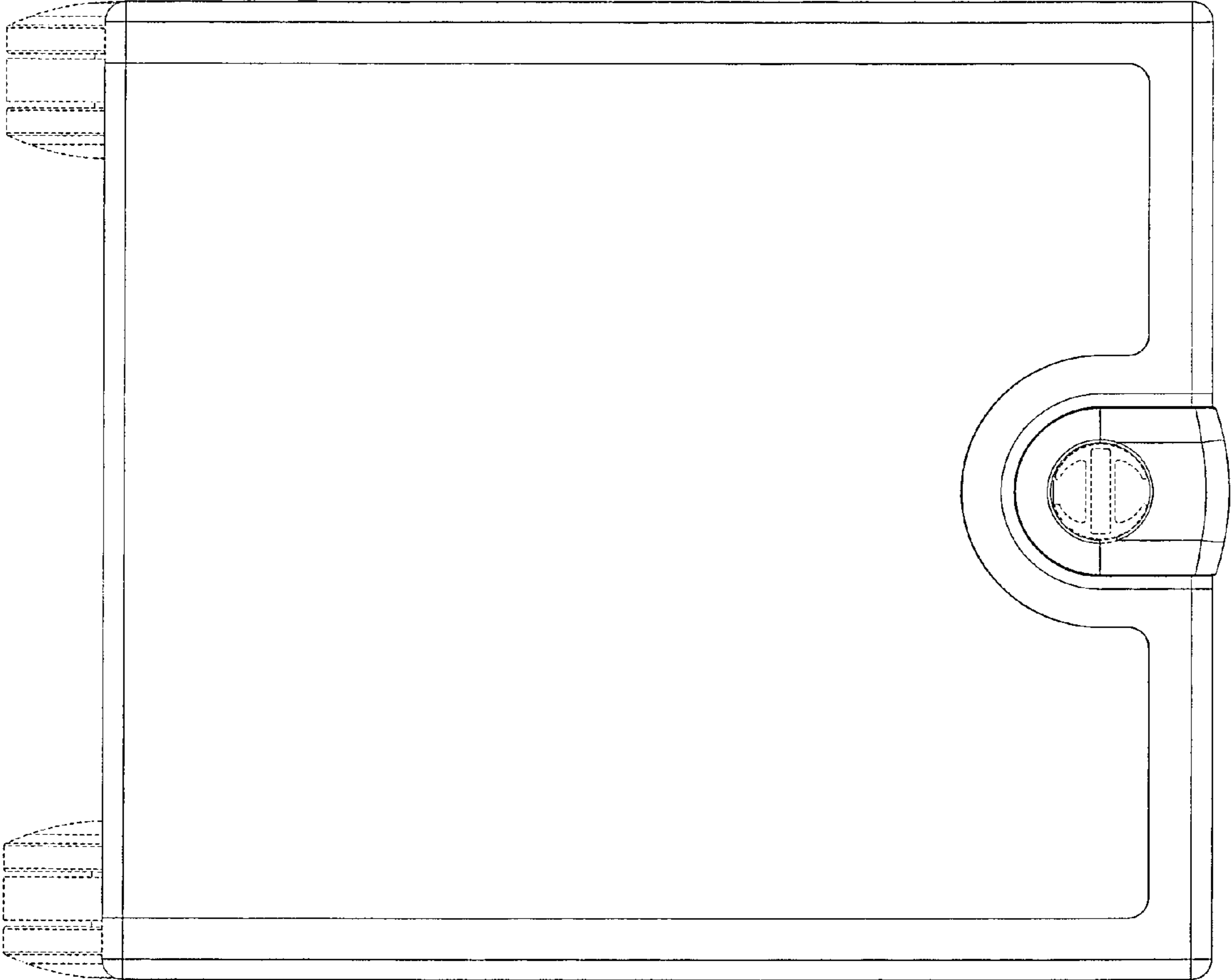


FIG. 7

