



US00D585169S

(12) **United States Design Patent**
Barzegar

(10) **Patent No.:** **US D585,169 S**
(45) **Date of Patent:** **** Jan. 20, 2009**

(54) **GLOVE HOLDER**

(76) Inventor: **Mitra Barzegar**, 11 Orlando Ct., Laguna Niguel, CA (US) 92677

(**) Term: **14 Years**

(21) Appl. No.: **29/302,944**

(22) Filed: **Jan. 29, 2008**

(51) **LOC (9) Cl.** **07-05**

(52) **U.S. Cl.** **D32/58**

(58) **Field of Classification Search** D32/58,
D32/59, 55; 34/106, 103-104, 24, 184, 187,
34/239-240; 211/34-37, 13, 59.1, 74-75;
D6/467; 223/78

See application file for complete search history.

(56) **References Cited**

U.S. PATENT DOCUMENTS

686,884	A *	11/1901	Becker	223/79
1,569,283	A *	1/1926	Johnson	223/79
D194,512	S *	2/1963	Donaldson	D32/58
D195,137	S *	4/1963	Jennings, Jr.	D32/59
3,477,622	A *	11/1969	Appelt	223/78
D243,313	S *	2/1977	Varnado	D32/58
D322,344	S *	12/1991	Winkler	D32/58
5,632,099	A *	5/1997	Seifert et al.	34/106
5,692,316	A *	12/1997	Antal	34/106
6,085,436	A *	7/2000	Peet	34/104
D544,690	S *	6/2007	Mermet	D2/972

* cited by examiner

Primary Examiner—Pamela J Burgess

(74) *Attorney, Agent, or Firm*—Hani Z. Sayed; Rutan & Tucker, LLP

(57) **CLAIM**

The ornamental design for a glove holder, as shown and described.

DESCRIPTION

FIG. 1 is a front, right side perspective view of the glove holder design in an embodiment of the present invention;

FIG. 2 is a bottom view of the glove holder design in an embodiment of the present invention;

FIG. 3 is a top view of the glove holder design in an embodiment of the present invention;

FIG. 4 is a side view of the glove holder design in an embodiment of the present invention;

FIG. 5 is a side view of the glove holder design in an embodiment of the present invention;

FIG. 6 is a right side view of the glove holder design in an embodiment of the present invention;

FIG. 7 is a left side view of the glove holder design in an embodiment of the present invention;

FIG. 8 is a top perspective view of a second embodiment of a glove holder showing my new design; and,

FIG. 9 is a top perspective view of a third embodiment of a glove holder showing my new design.

1 Claim, 6 Drawing Sheets

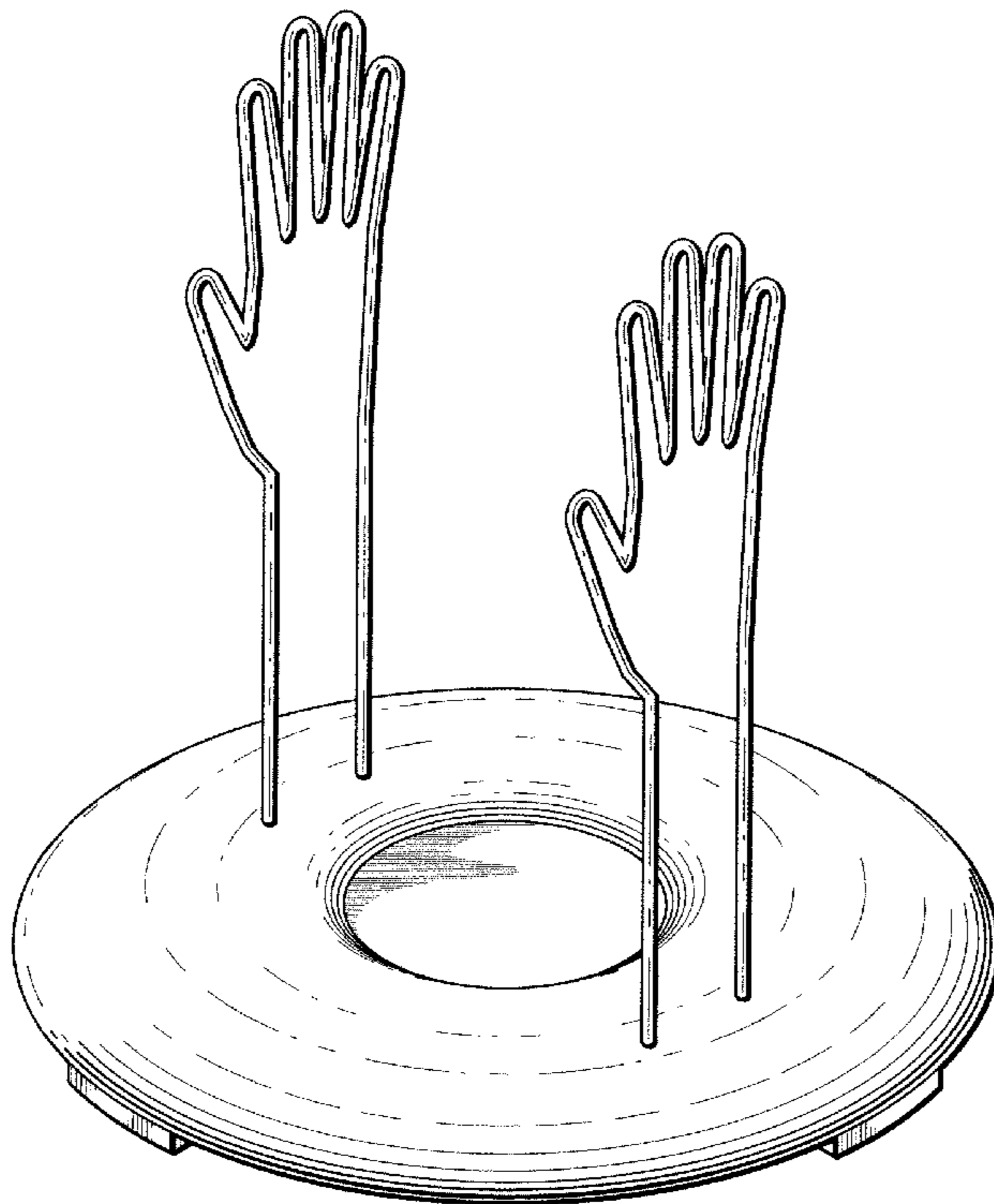


FIG. 1

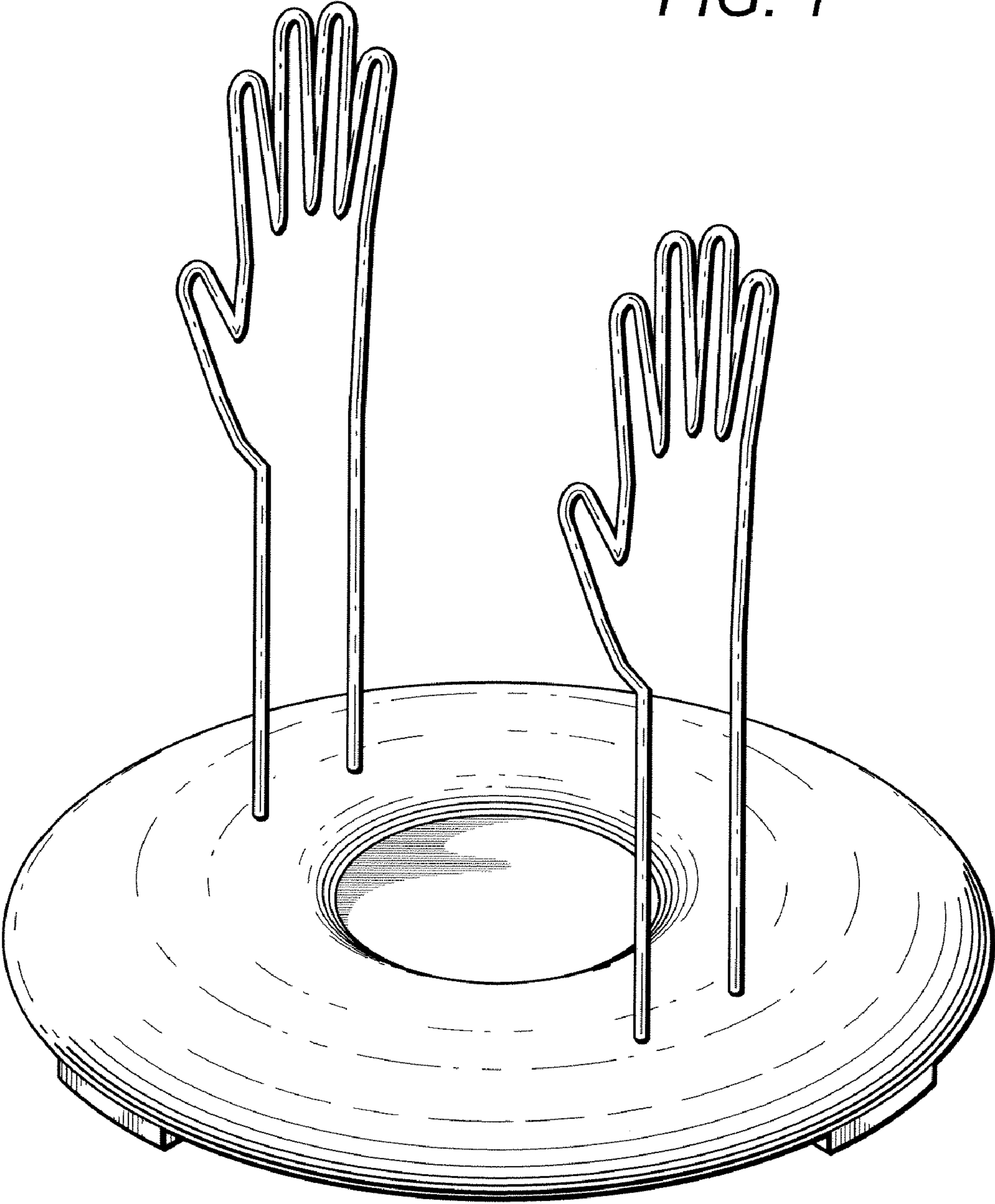


FIG. 2

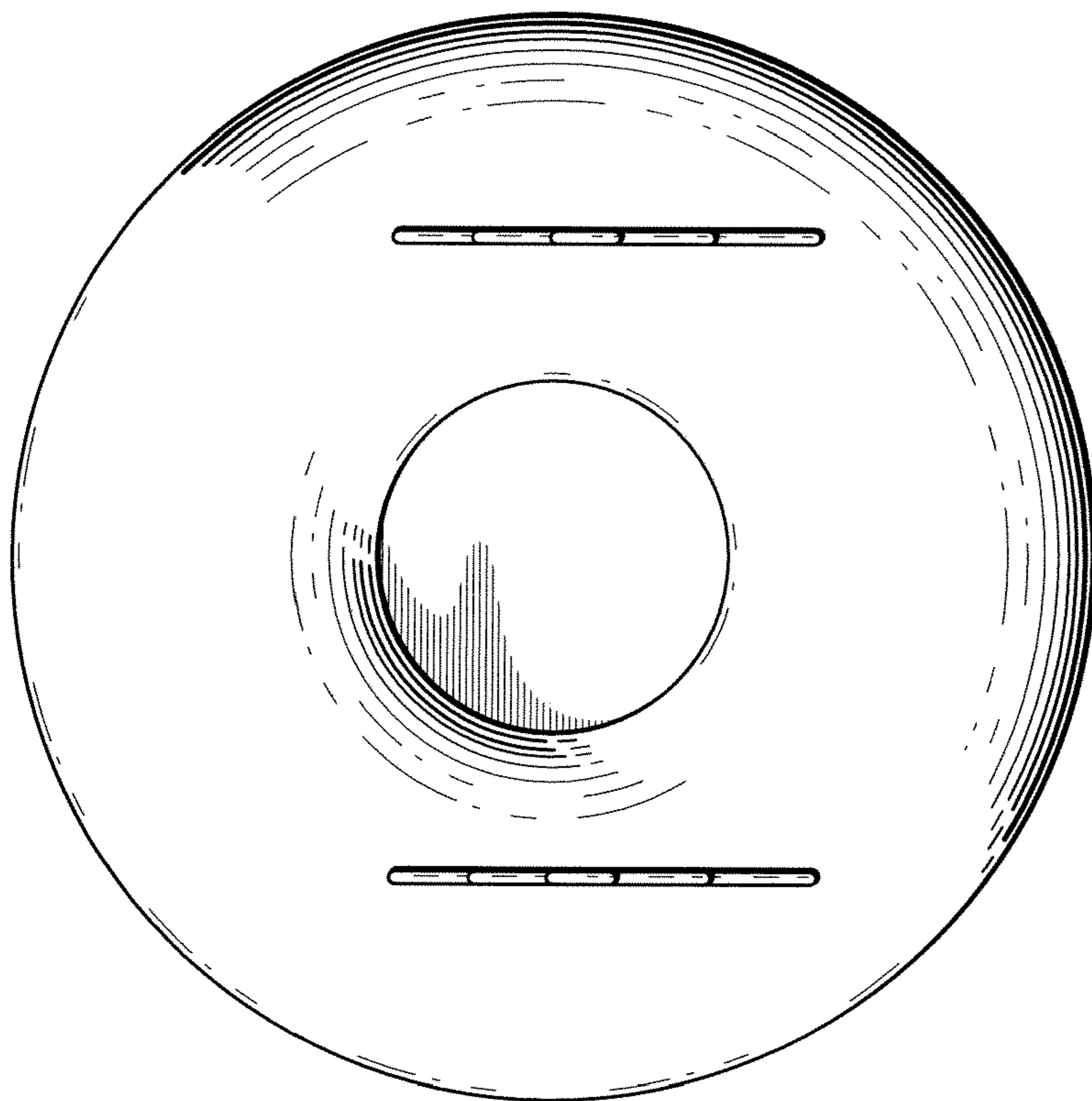
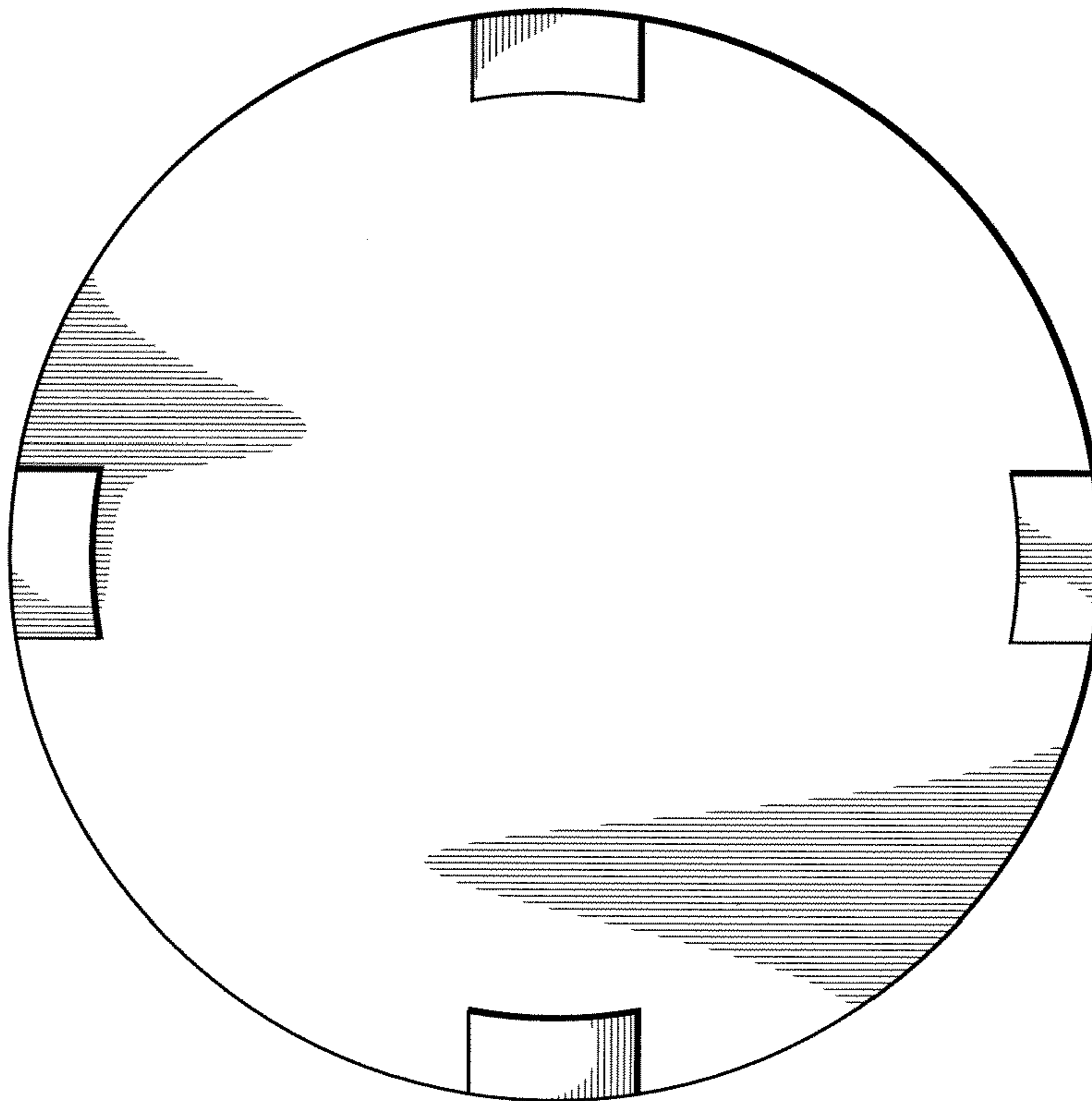


FIG. 3



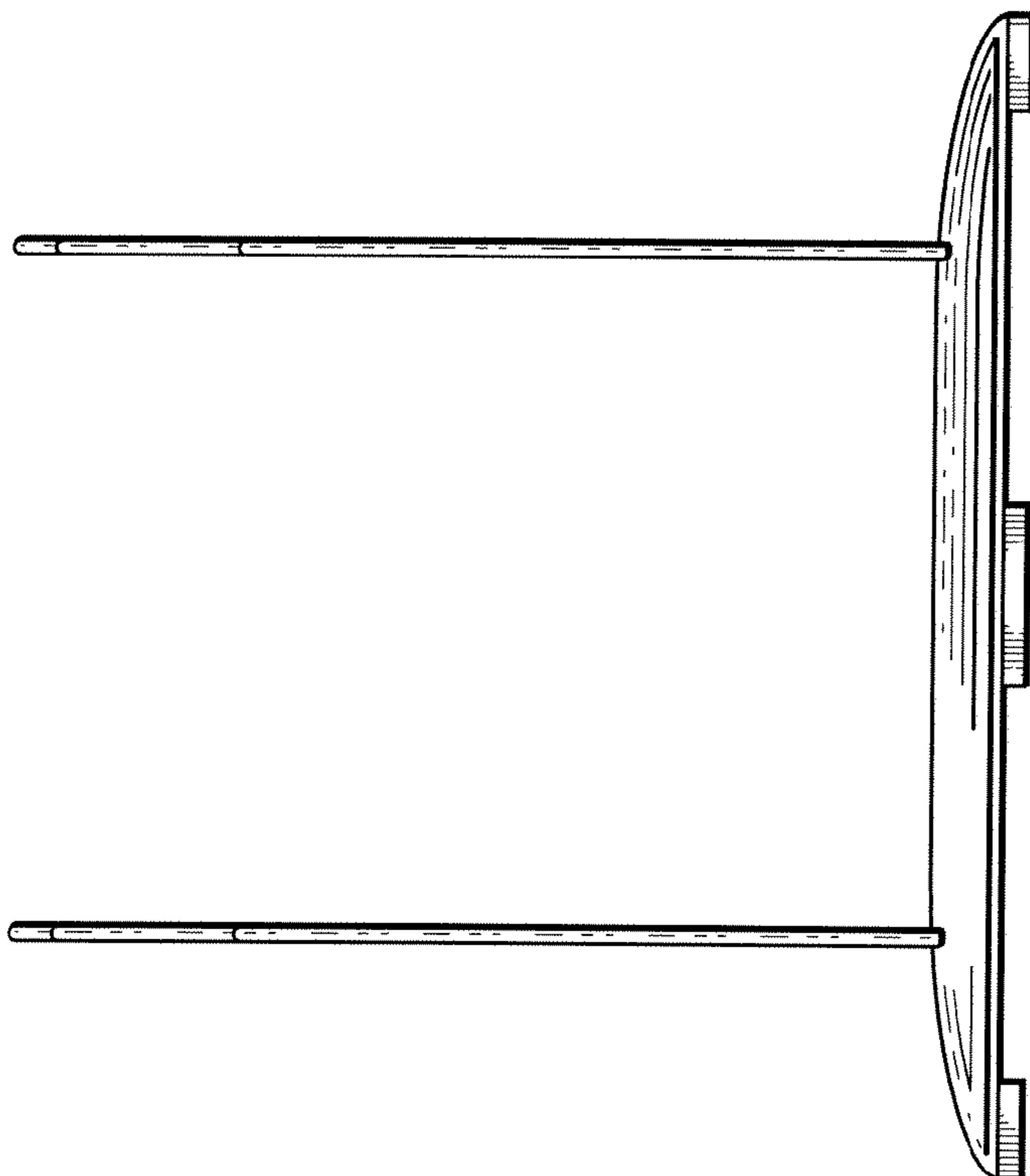


FIG. 4

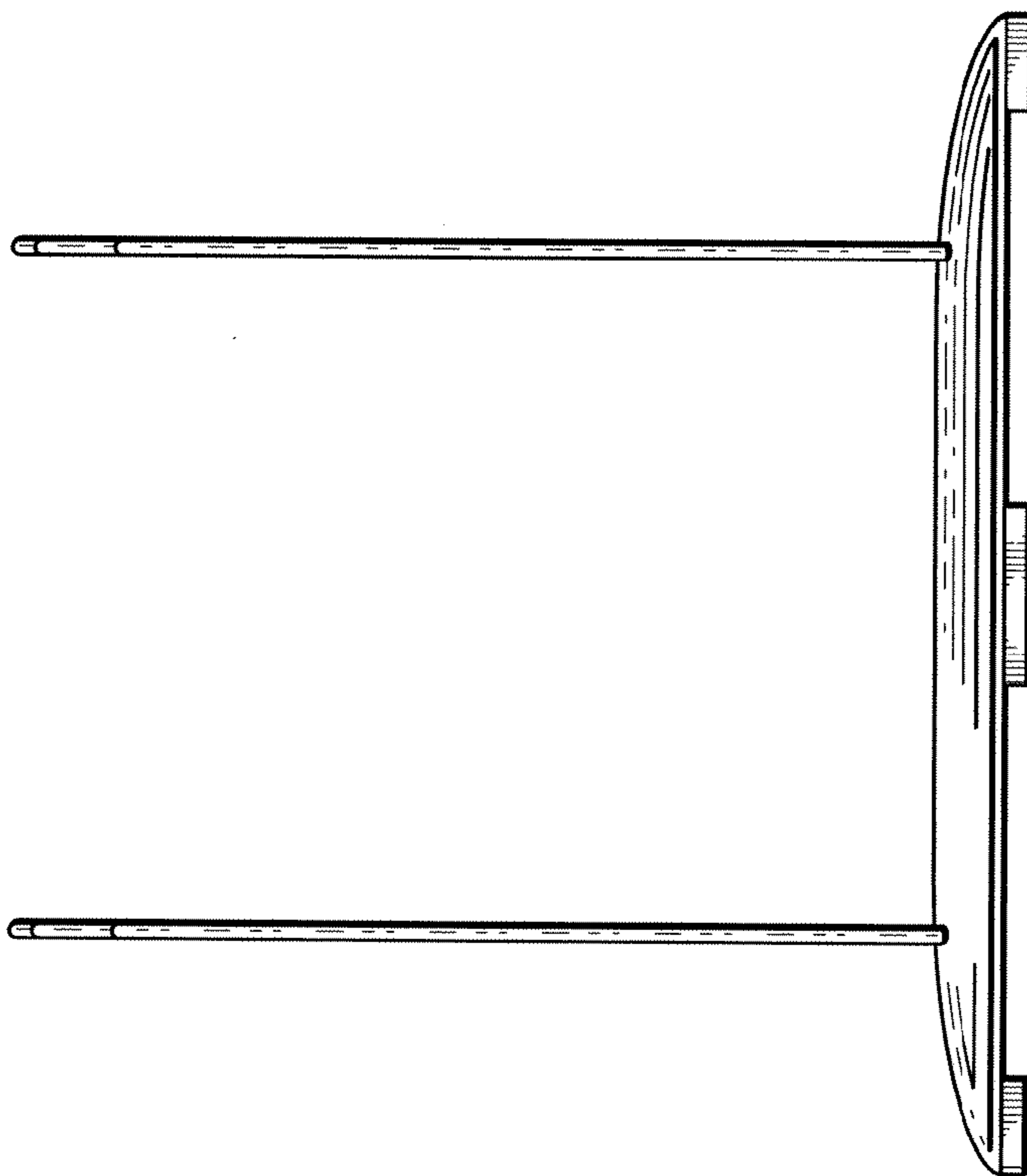


FIG. 5

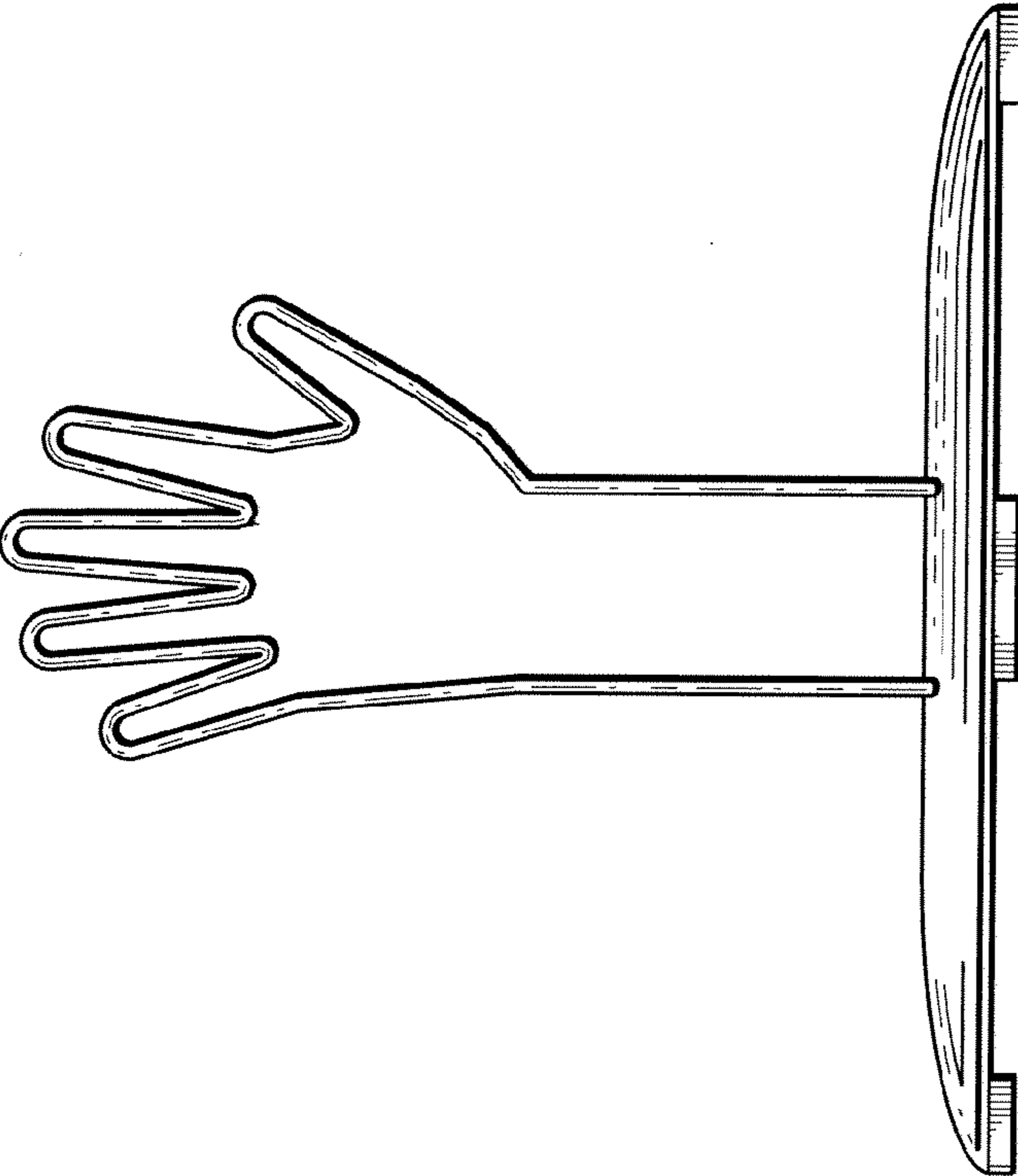


FIG. 6

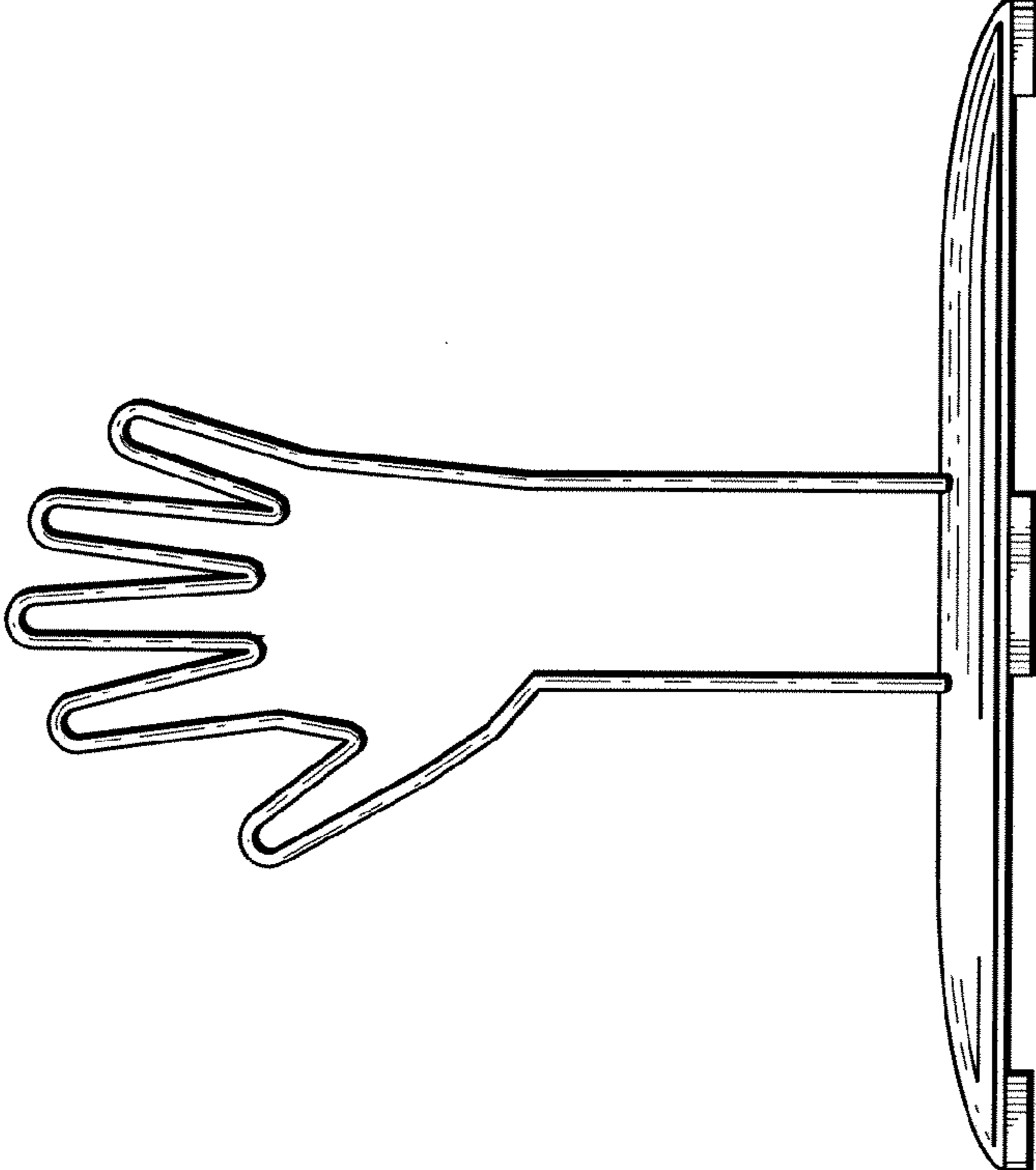


FIG. 7

FIG. 8

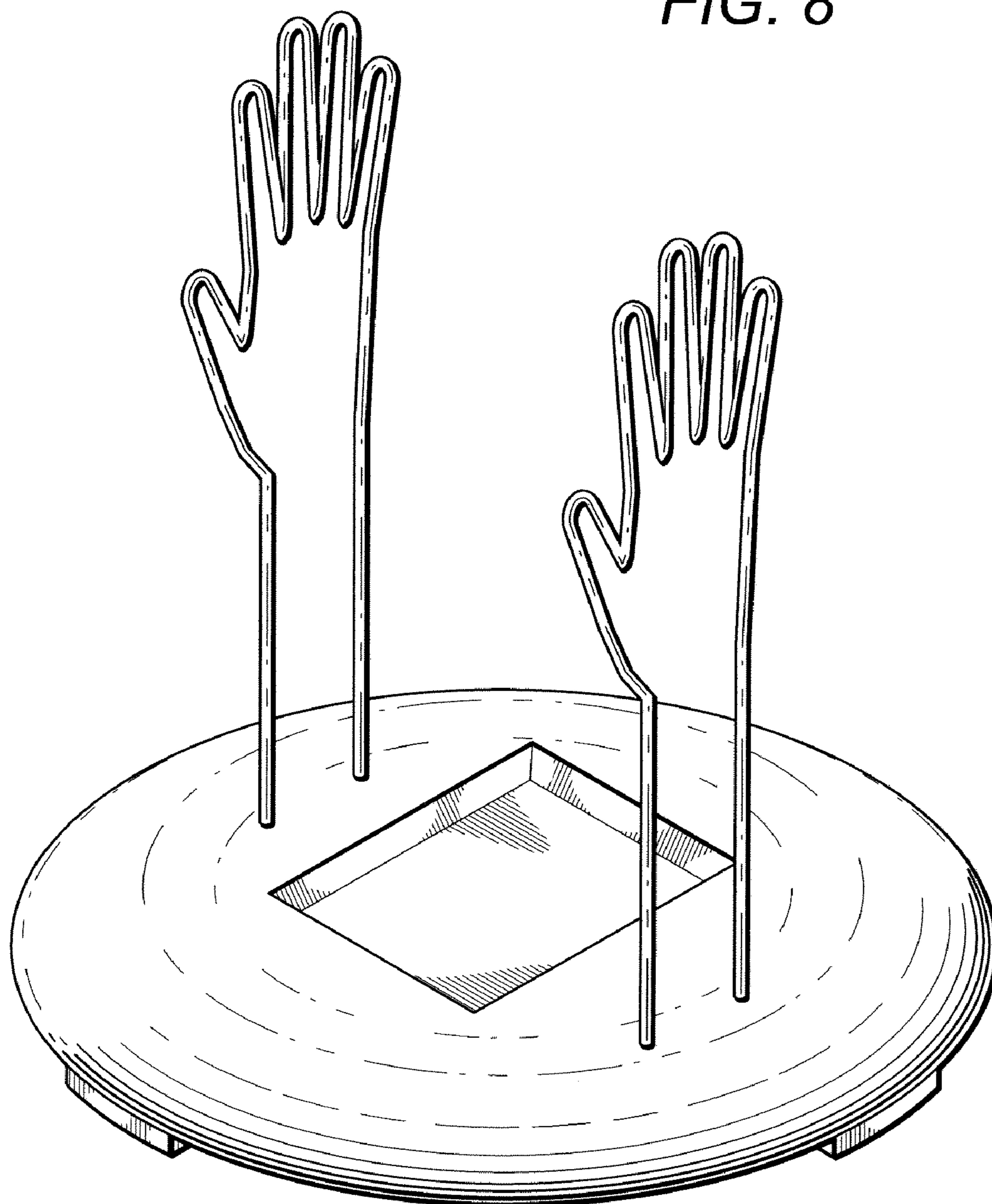


FIG. 9

