



US00D585168S

(12) **United States Design Patent**
Bar-Noy et al.

(10) **Patent No.:** **US D585,168 S**
(45) **Date of Patent:** **** Jan. 20, 2009**

- (54) **MOP WITH A RECEPTACLE**
- (75) Inventors: **Haim Bar-Noy**, Racine, WI (US); **Jay W. Hutchison**, Racine, WI (US); **James M. Scolaro**, Racine, WI (US); **Glenn N. Weaver**, Racine, WI (US); **Ronald Rhea Dir**, Sturtevant, WI (US)
- (73) Assignee: **JohnsonDiversey, Inc.**, Sturtevant, WI (US)
- (**) Term: **14 Years**
- (21) Appl. No.: **29/302,930**
- (22) Filed: **Jan. 29, 2008**

D345,238 S	3/1994	Berti	
5,469,594 A	11/1995	Nolte	15/121
D394,928 S	6/1998	Laib	
D449,911 S *	10/2001	Goodman	D32/74
D461,610 S *	8/2002	Perelli	D32/74
D468,879 S *	1/2003	Perelli	D32/74
D484,659 S *	12/2003	Perelli et al.	D32/74
D502,299 S	2/2005	Junghans	D32/35
D509,035 S *	8/2005	Libman et al.	D32/74
D533,356 S	12/2006	Van Landingham, Jr.	D4/199
D552,815 S	10/2007	Bar-Noy et al.	
D555,316 S *	11/2007	Hay	D32/74
D564,163 S	3/2008	Bar-Noy et al.	
2003/0164176 A1	9/2003	Arbon	134/6
2003/0167588 A1 *	9/2003	Perelli et al.	15/257.7
2004/0134004 A1	7/2004	Kaleta	15/104.002
2005/0155627 A1	7/2005	Bober et al.	134/6

Related U.S. Application Data

- (63) Continuation of application No. 29/282,377, filed on Jul. 18, 2007, now Pat. No. Des. 564,163, which is a continuation of application No. 29/234,178, filed on Jul. 14, 2005, now Pat. No. Des. 552,815.

- (51) **LOC (9) Cl.** **07-05**
- (52) **U.S. Cl.** **D32/50**
- (58) **Field of Classification Search** D32/35, D32/40, 42, 45, 51, 52, 53, 74, 50, 54; D4/116; 15/105-106, 111, 116.1, 117, 119 R, 119 A, 15/145-146, 147 R, 147 A-147 D, 171, 229.1-229.9
See application file for complete search history.

References Cited

U.S. PATENT DOCUMENTS

D31,183 S *	7/1899	Gerwig	D32/74
D145,887 S *	11/1946	Fox	D32/74
2,999,259 A	9/1961	Polner	15/104.8
3,056,993 A	10/1962	Lewis	15/310
3,324,494 A	6/1967	Vosbikian	15/105
3,733,636 A	5/1973	Osadsky	15/111
D300,905 S	5/1989	Perkins	D9/415
D323,940 S	2/1992	Murphy et al.	D4/116
5,092,699 A	3/1992	Silvenis	401/21

* cited by examiner

Primary Examiner—Clare E Heflin

Assistant Examiner—Barbara Fox

(74) *Attorney, Agent, or Firm*—Gregory S. Bollis

(57) **CLAIM**

We claim the ornamental design for a mop with a receptacle, as shown and described.

DESCRIPTION

FIG. 1 is a perspective view of a mop with a receptacle embodying aspects of the invention.

FIG. 2 is a top view of the mop shown in FIG. 1.

FIG. 3 is a bottom view of the mop shown in FIG. 1.

FIG. 4 is a front view of the mop shown in FIG. 1.

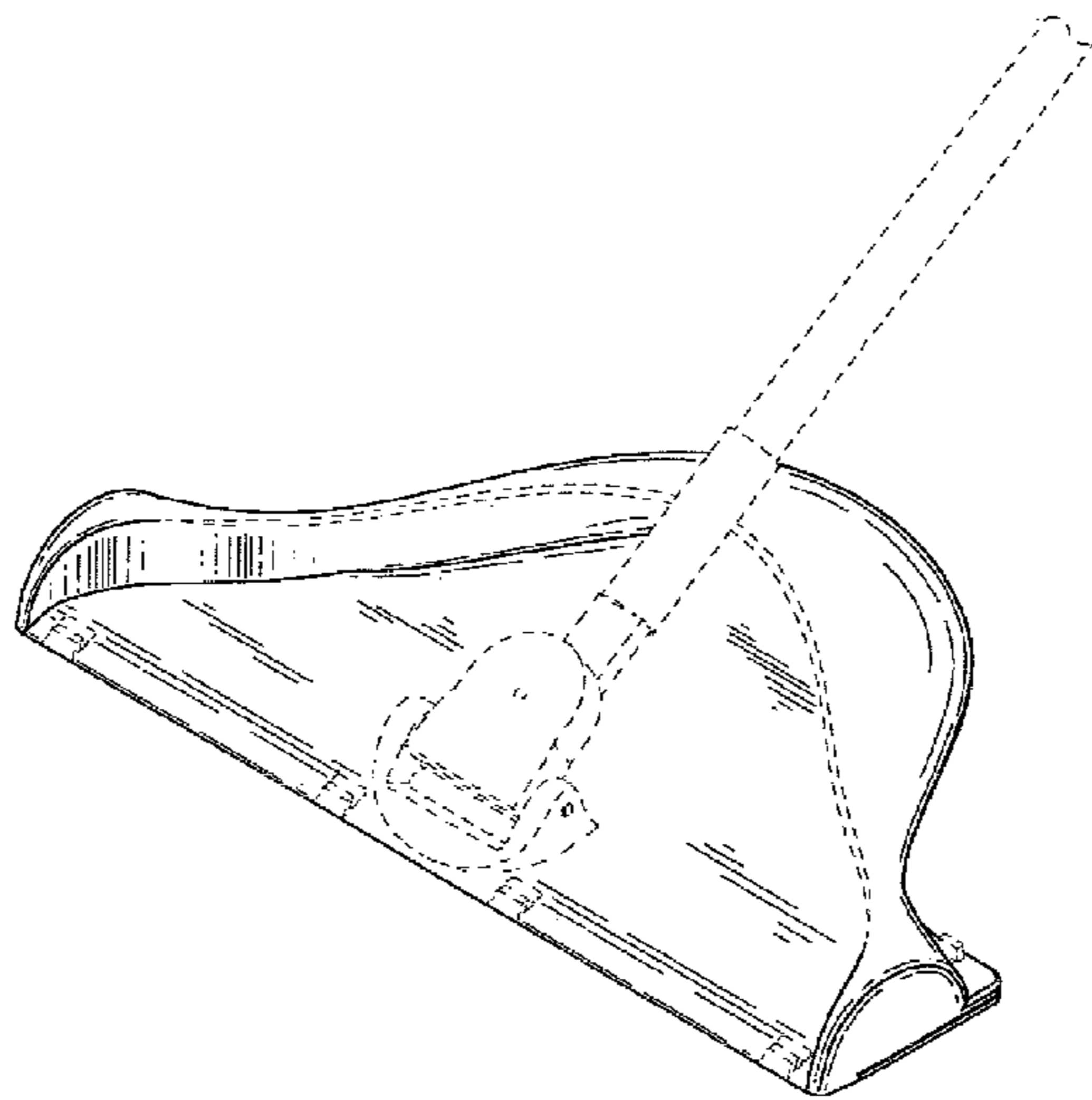
FIG. 5 is a rear view of the mop shown in FIG. 1.

FIG. 6 is a right side view of the mop shown in FIG. 1; and,

FIG. 7 is a left side view of the mop shown in FIG. 1.

The broken lines in the drawings represent unclaimed subject matter.

1 Claim, 5 Drawing Sheets



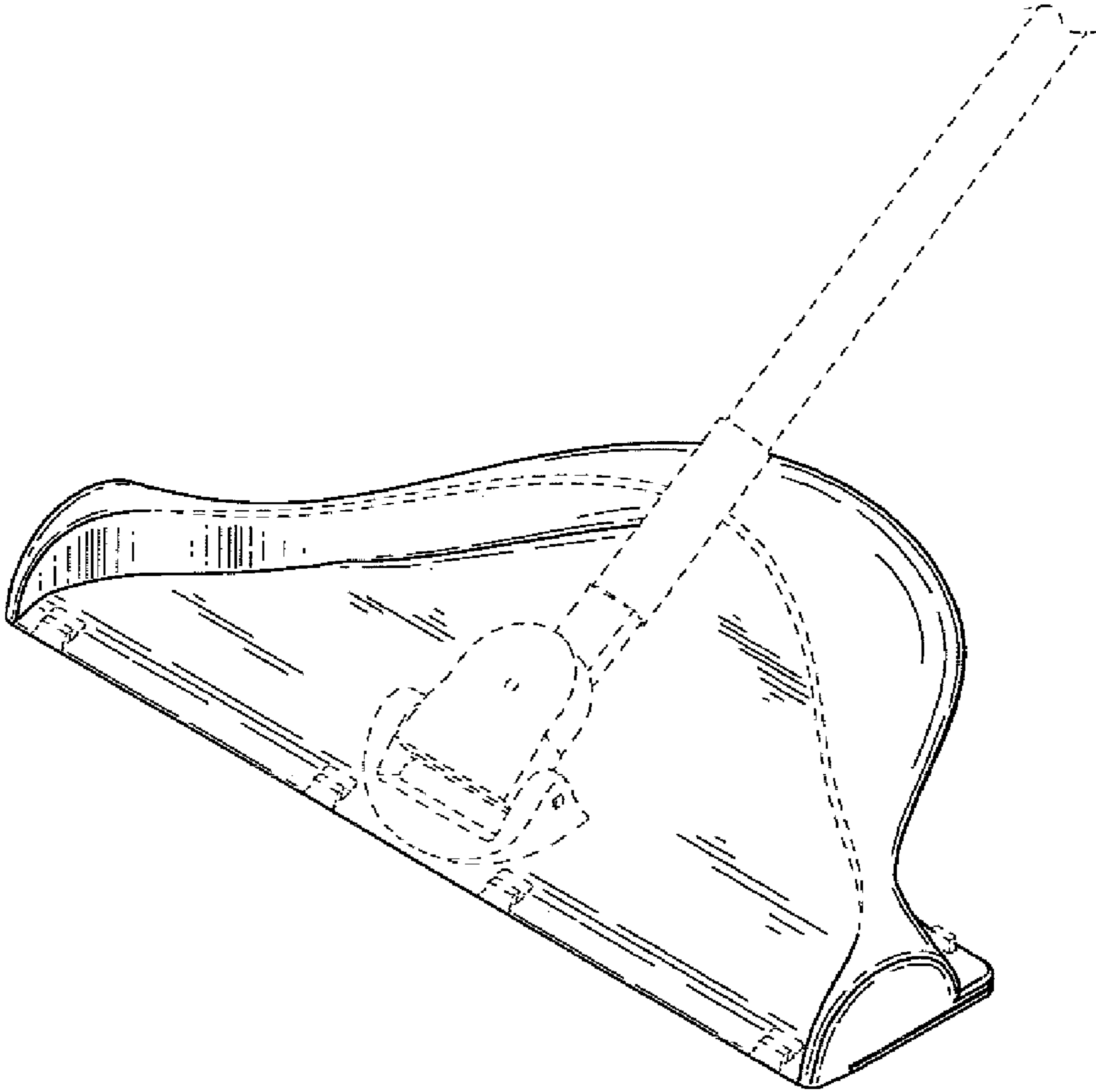


FIG. 1

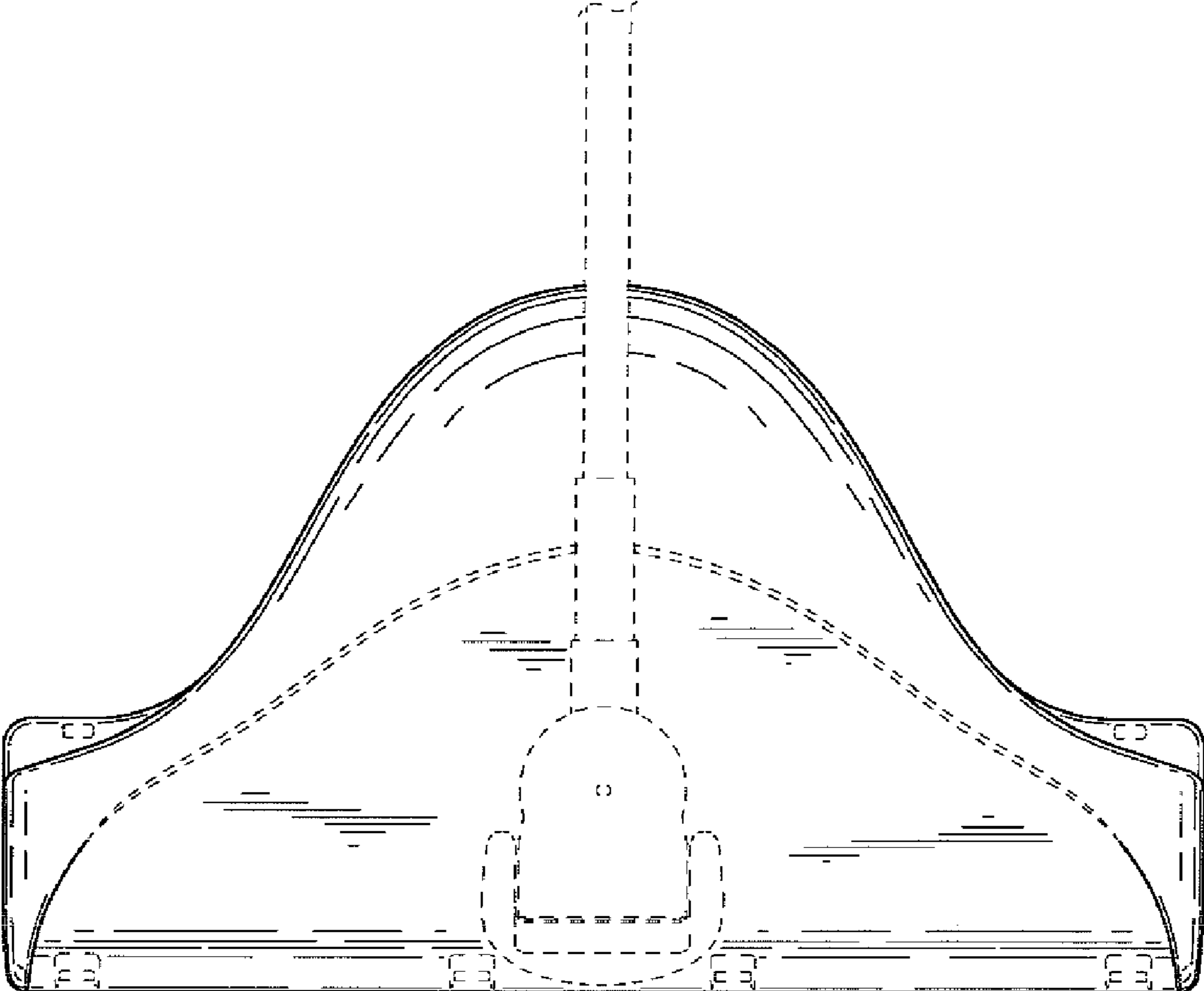


FIG. 2

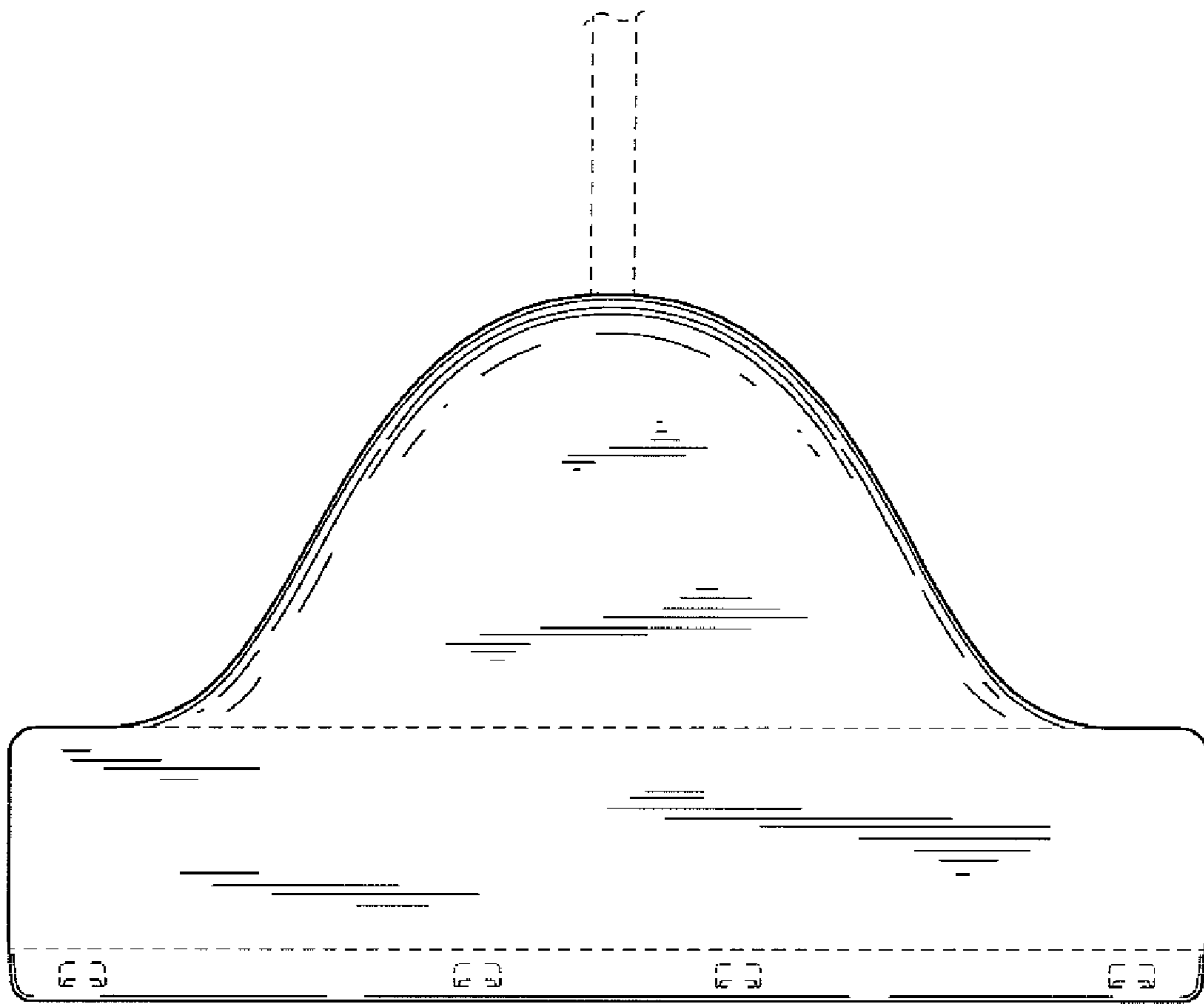


FIG. 3

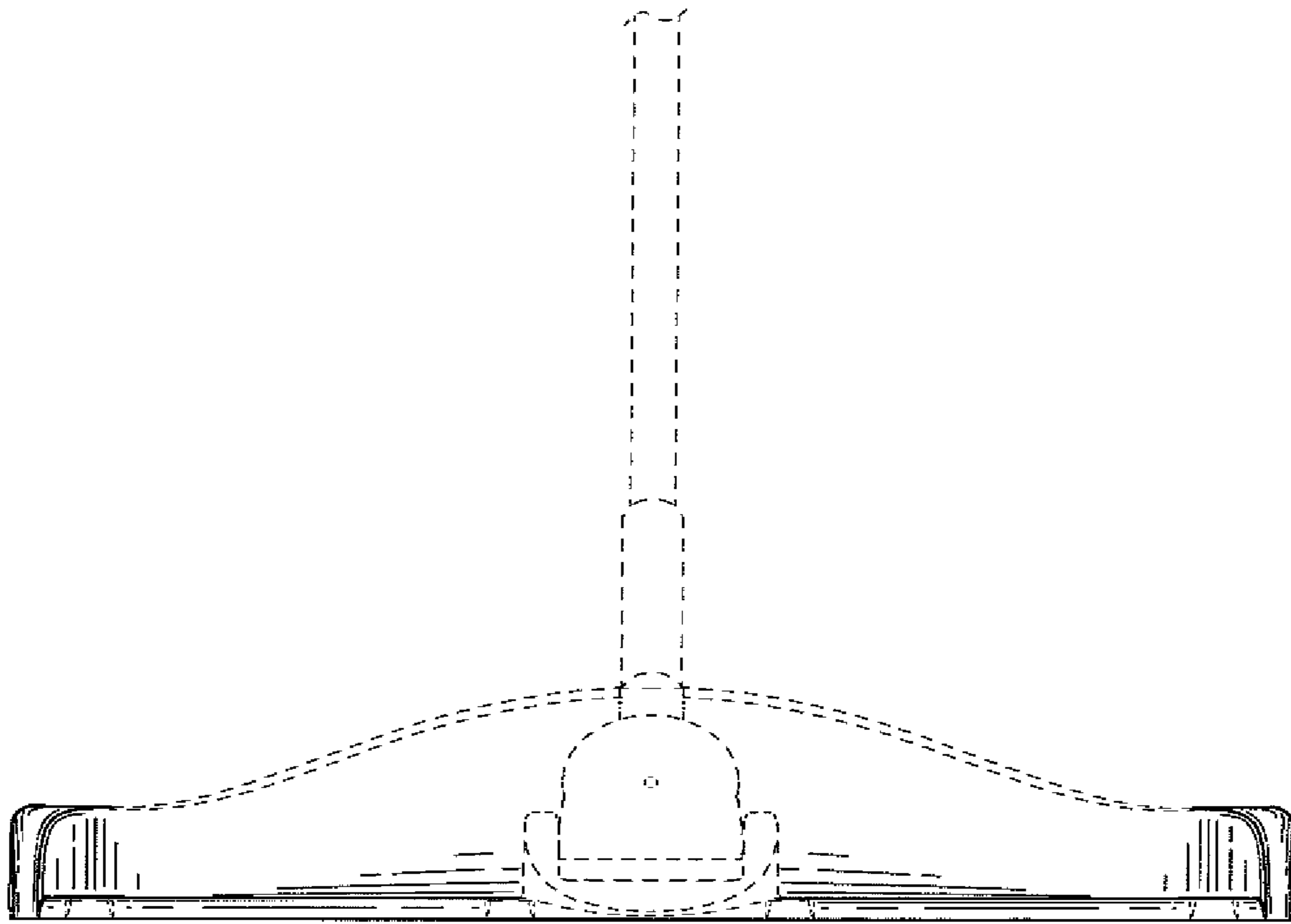


FIG. 4

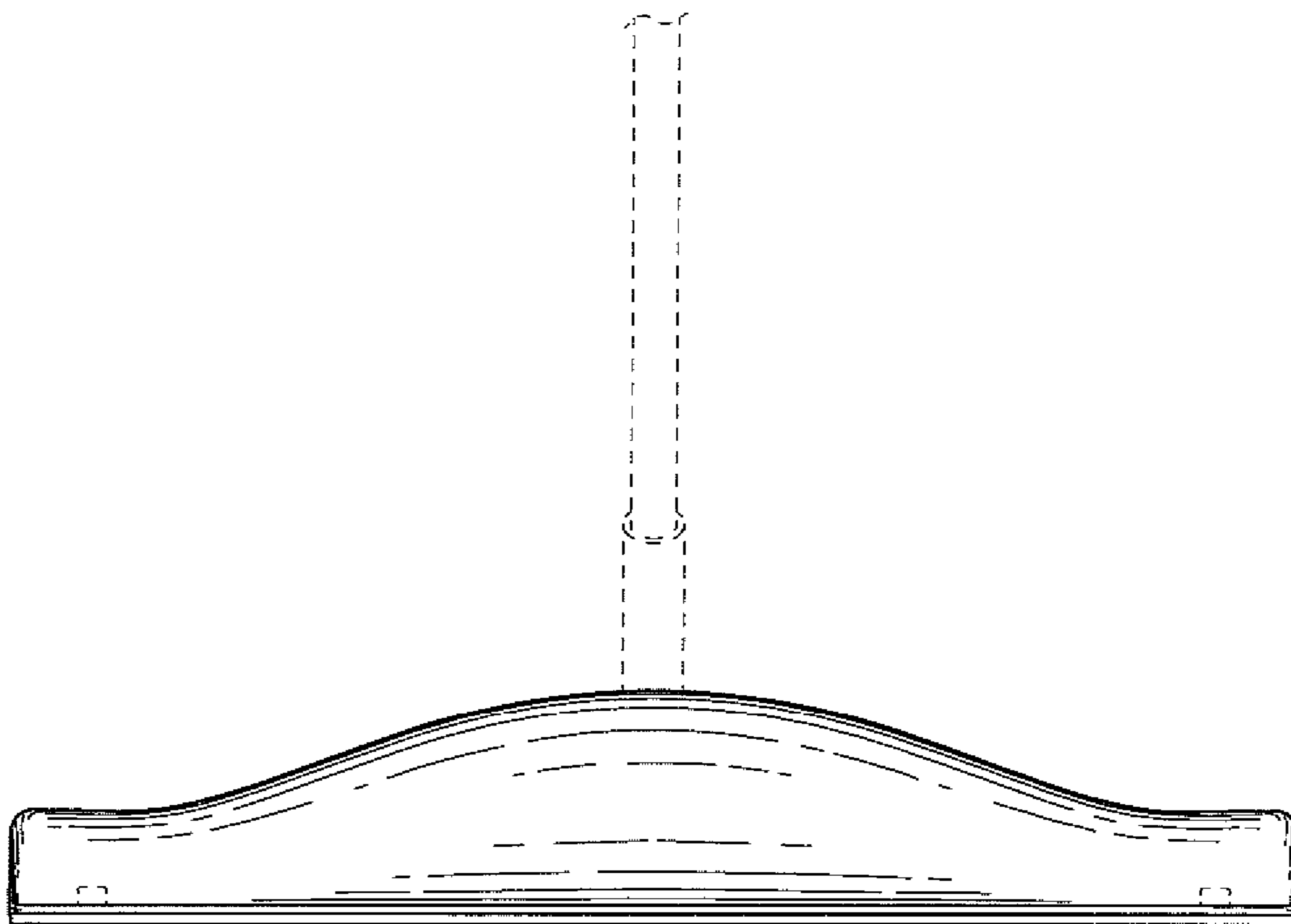


FIG. 5

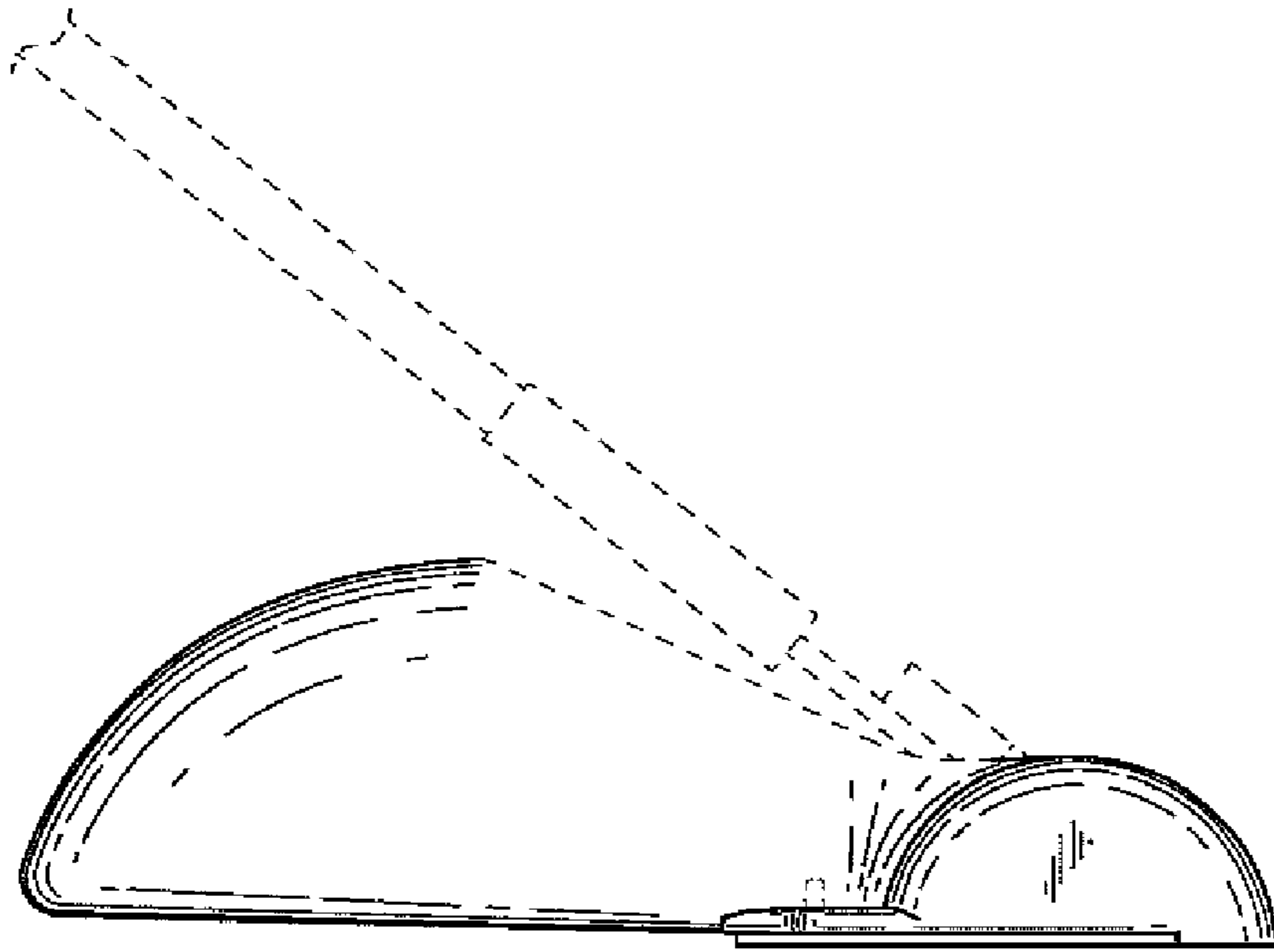


FIG. 6

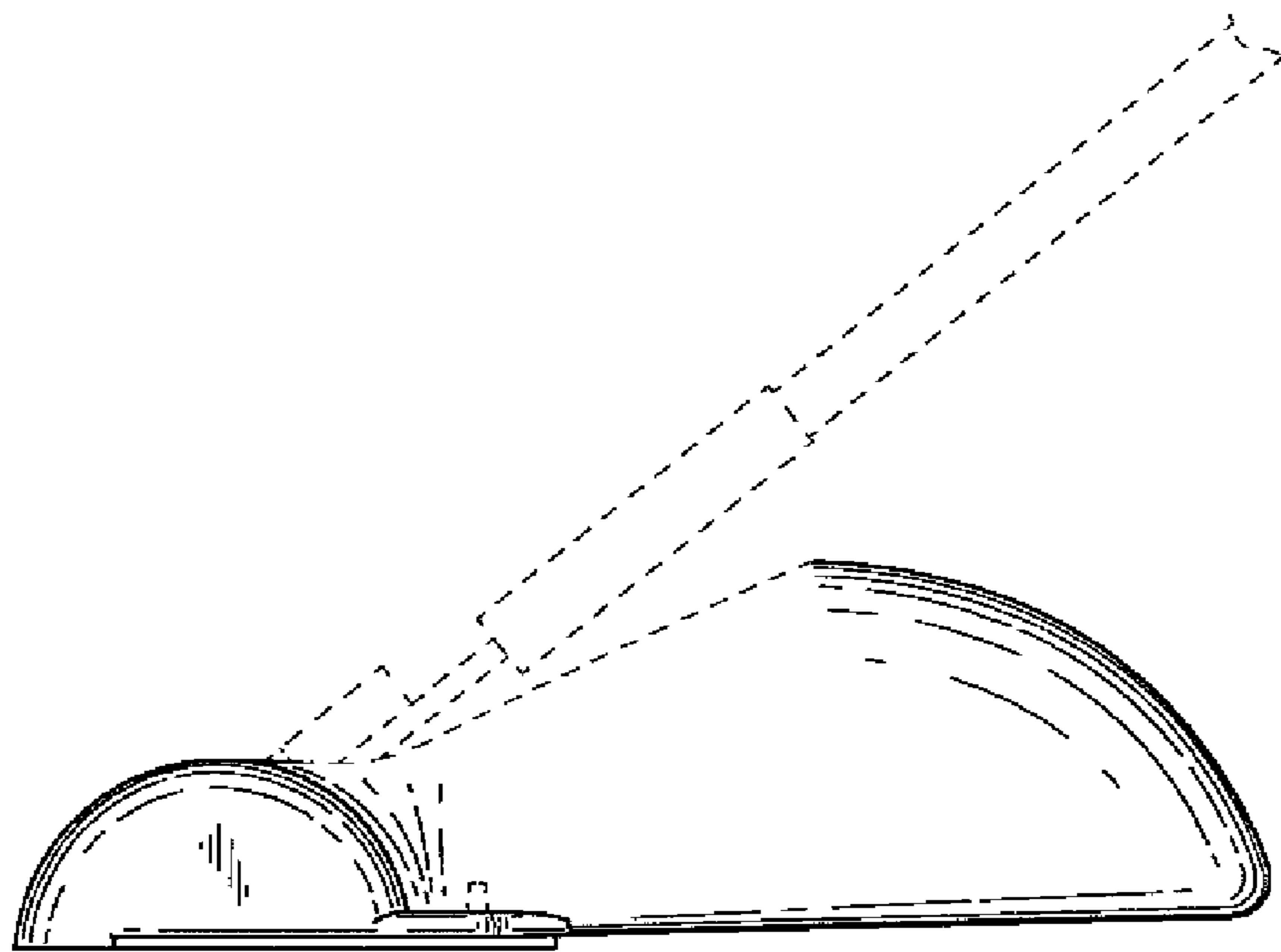


FIG. 7