



US00D585164S

(12) **United States Design Patent**
Kosukegawa et al.

(10) **Patent No.:** **US D585,164 S**
(45) **Date of Patent:** **** Jan. 20, 2009**

(54) **WASHING MACHINE WITH CLOTHING DRYER**

(75) Inventors: **Kazuhiro Kosukegawa**, Osaka (JP);
Kazunori Morimoto, Osaka (JP);
Yosuke Tanaka, Osaka (JP); **Maki Yamauchi**, Osaka (JP)

(73) Assignee: **Sanyo Electric Co., Ltd.**, Osaka (JP)

(**) Term: **14 Years**

(21) Appl. No.: **29/300,418**

(22) Filed: **Mar. 25, 2008**

(30) **Foreign Application Priority Data**

Sep. 28, 2007 (JP) 2007-026548

(51) **LOC (9) Cl.** **15-06**

(52) **U.S. Cl.** **D32/5**

(58) **Field of Classification Search** D32/1,
D32/5-6, 8, 10; 68/3 R, 5 R, 12.01, 12.08,
68/212; 34/87-88, 108, 130-132, 595-597,
34/600, 417, 499, 534, 523-524; 312/31
See application file for complete search history.

(56) **References Cited**

U.S. PATENT DOCUMENTS

2,416,405 A * 2/1947 Purpura 34/134
D465,307 S * 11/2002 Du et al. D32/6
D465,622 S * 11/2002 Wang et al. D32/6

D496,513 S * 9/2004 Tsuda et al. D32/8
D515,256 S * 2/2006 Tsuda et al. D32/5
D517,256 S * 3/2006 Kim D32/6
D520,193 S * 5/2006 Yokoyama D32/5
D524,493 S * 7/2006 Choi et al. D32/6
D536,143 S * 1/2007 Takase et al. D32/5

FOREIGN PATENT DOCUMENTS

JP 1247543 8/2005

* cited by examiner

Primary Examiner—Louis S Zarfaz

Assistant Examiner—Kathleen M Sims

(74) *Attorney, Agent, or Firm*—Rabin & Berdo, PC

(57) **CLAIM**

The ornamental design for a washing machine with clothing dryer, as shown and described.

DESCRIPTION

FIG. 1 is a perspective view of a washing machine with clothing dryer showing our new design;

FIG. 2 is a front elevation view thereof;

FIG. 3 is a rear elevation view thereof;

FIG. 4 is a top plan view thereof;

FIG. 5 is a bottom plan view thereof; and,

FIG. 6 is a right side view thereof, a left side view thereof being a mirror image.

1 Claim, 4 Drawing Sheets

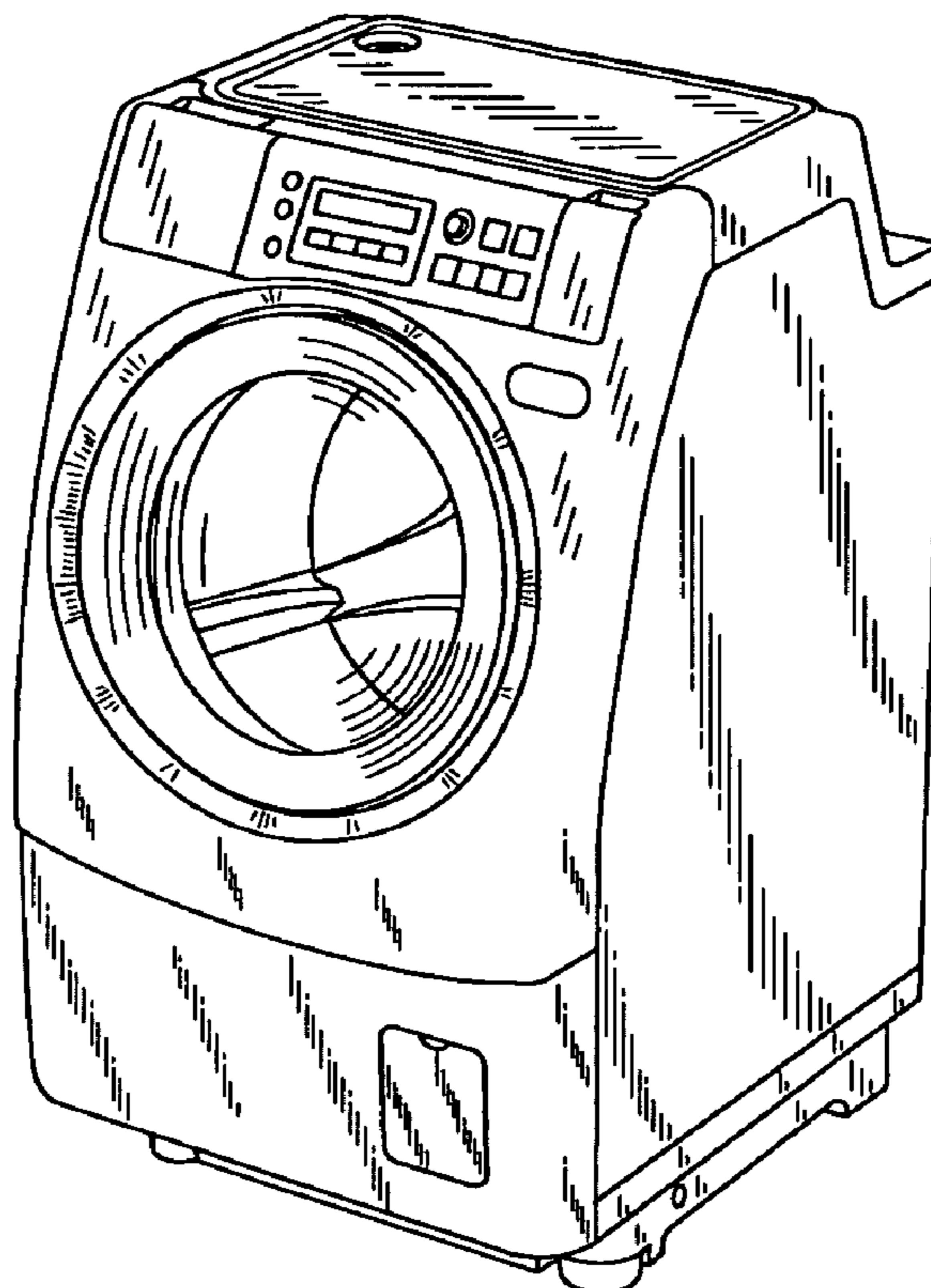


FIG. 1

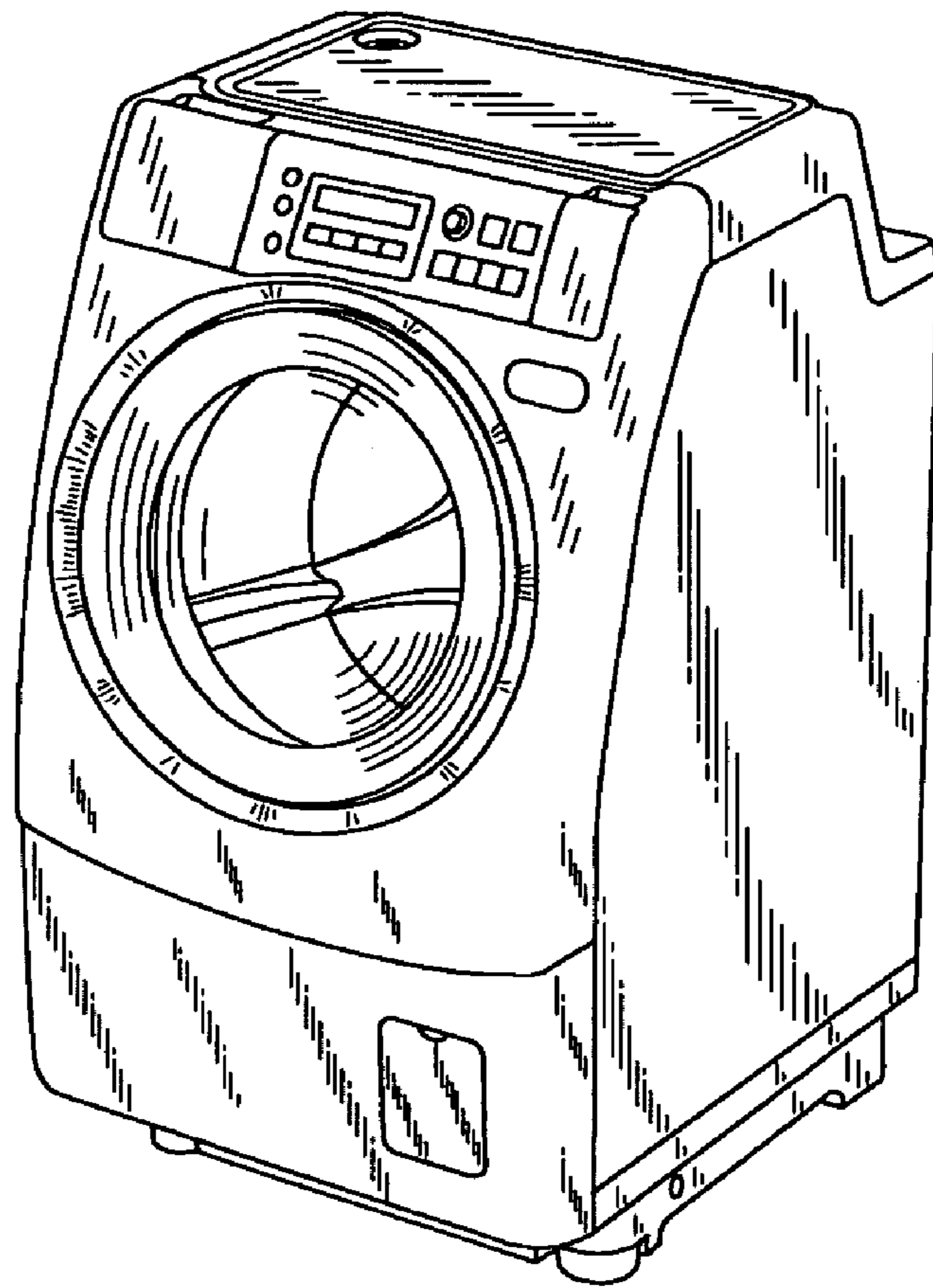


FIG. 2

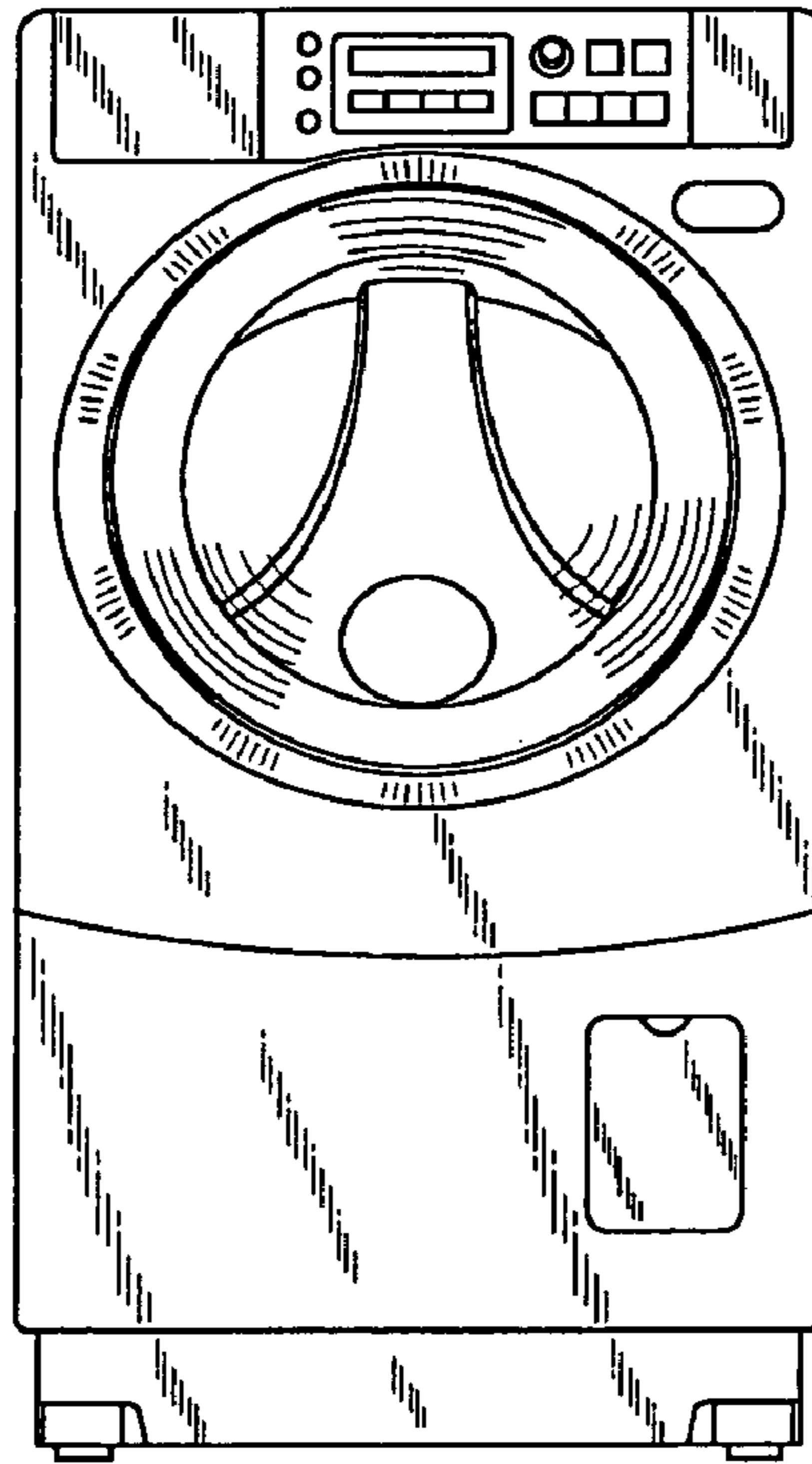


FIG. 3

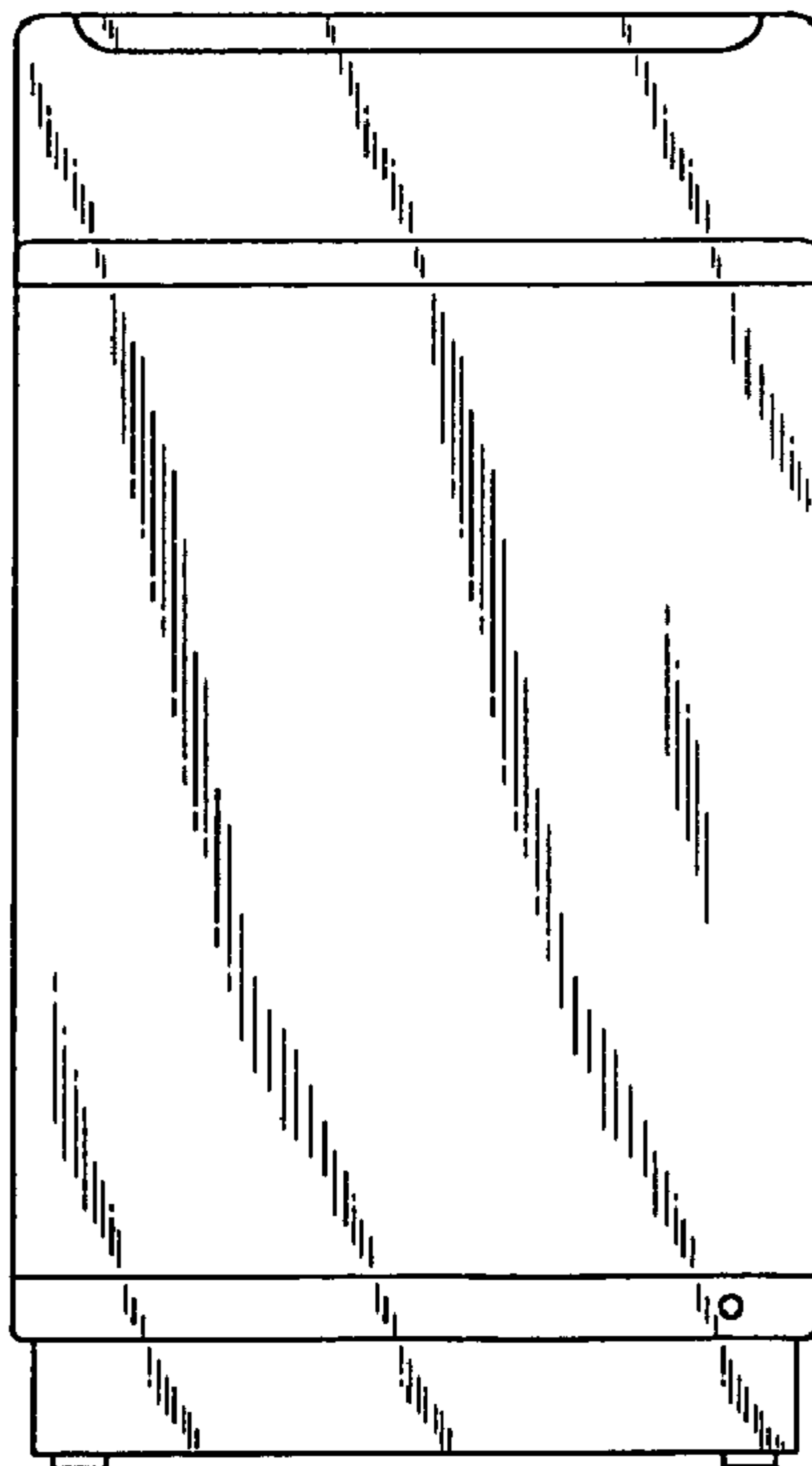


FIG. 4

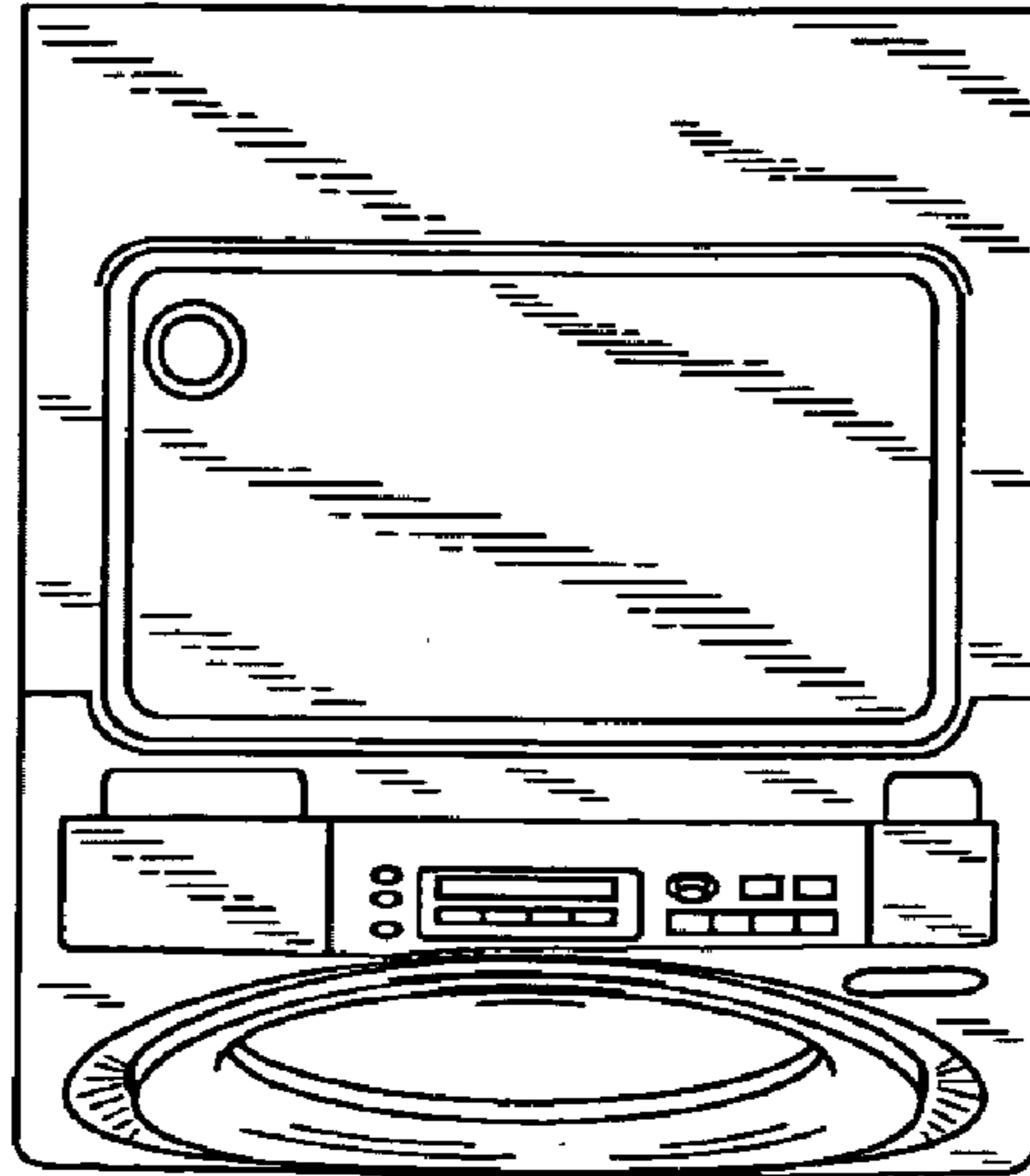


FIG. 5

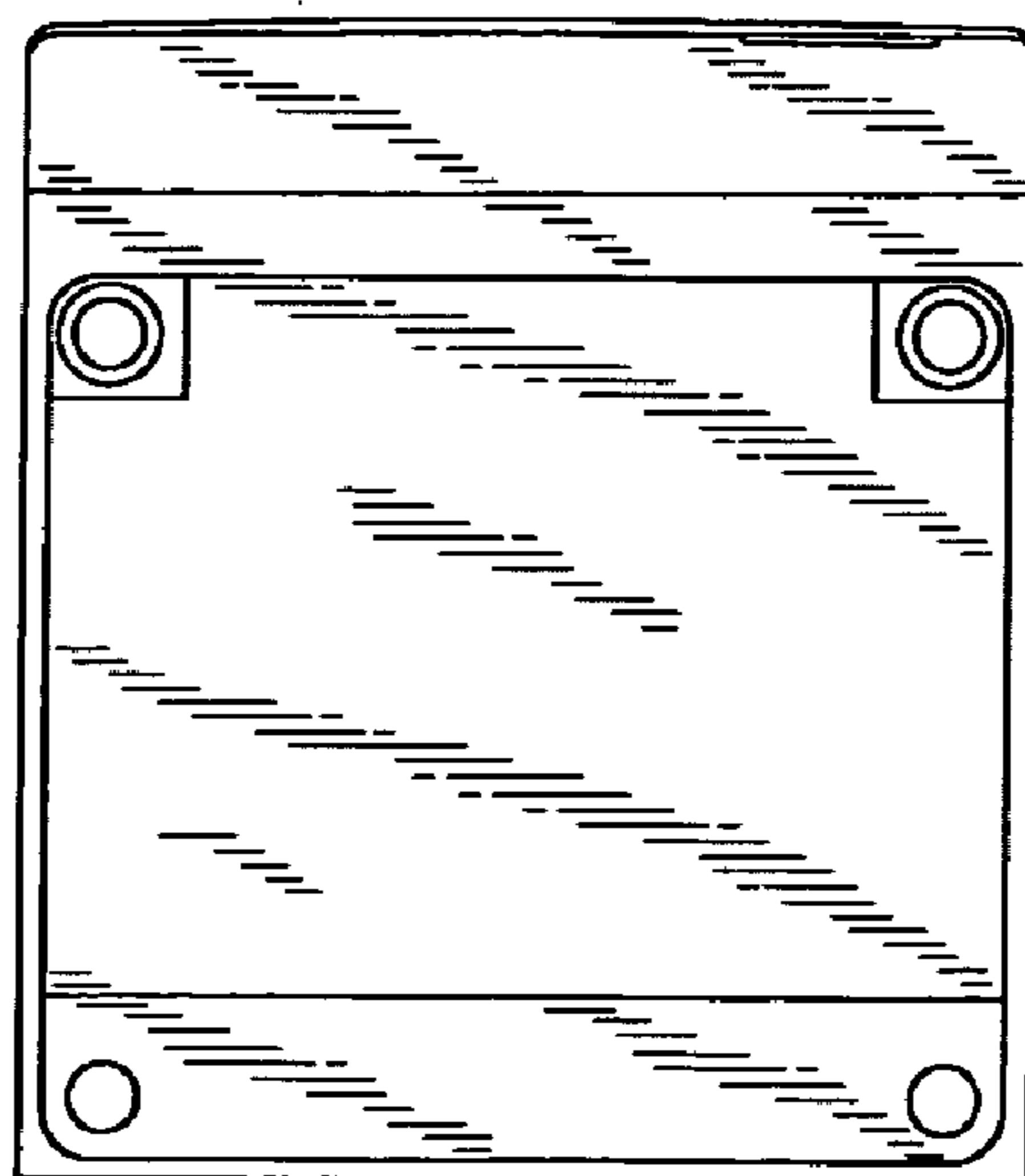


FIG. 6

