



US00D585156S

(12) **United States Design Patent**
Hsu

(10) **Patent No.:** **US D585,156 S**
(45) **Date of Patent:** **** Jan. 20, 2009**

(54) **HAIR CLIP**

6,095,155 A * 8/2000 Criscuolo 132/278
D511,863 S * 11/2005 Lau D28/42

(76) Inventor: **Shih Ling Hsu**, No. 46 Alley 87, Lane
871, Cheng-Bay Road, Tainan City (TW)
709

* cited by examiner

Primary Examiner—Janice E. Seeger

Assistant Examiner—Zenia I Bennett

(74) *Attorney, Agent, or Firm*—Bacon & Thomas, PLLC

(**) Term: **14 Years**

(21) Appl. No.: **29/309,243**

(57) **CLAIM**

(22) Filed: **Jul. 11, 2008**

The ornamental design for a hair clip, as shown.

(51) **LOC (9) Cl.** **28-03**

DESCRIPTION

(52) **U.S. Cl.** **D28/42**

FIG. 1 is a perspective view of a hair clip showing my new design thereof;

(58) **Field of Classification Search** D28/21–34,

D28/39–43; 132/101, 126, 128–131, 144,

132/148, 219, 275–284

FIG. 2 is a front elevational view thereof;

FIG. 3 is a rear elevational view thereof;

See application file for complete search history.

FIG. 4 is a left side elevational view thereof;

FIG. 5 is a right side elevational view thereof;

(56) **References Cited**

U.S. PATENT DOCUMENTS

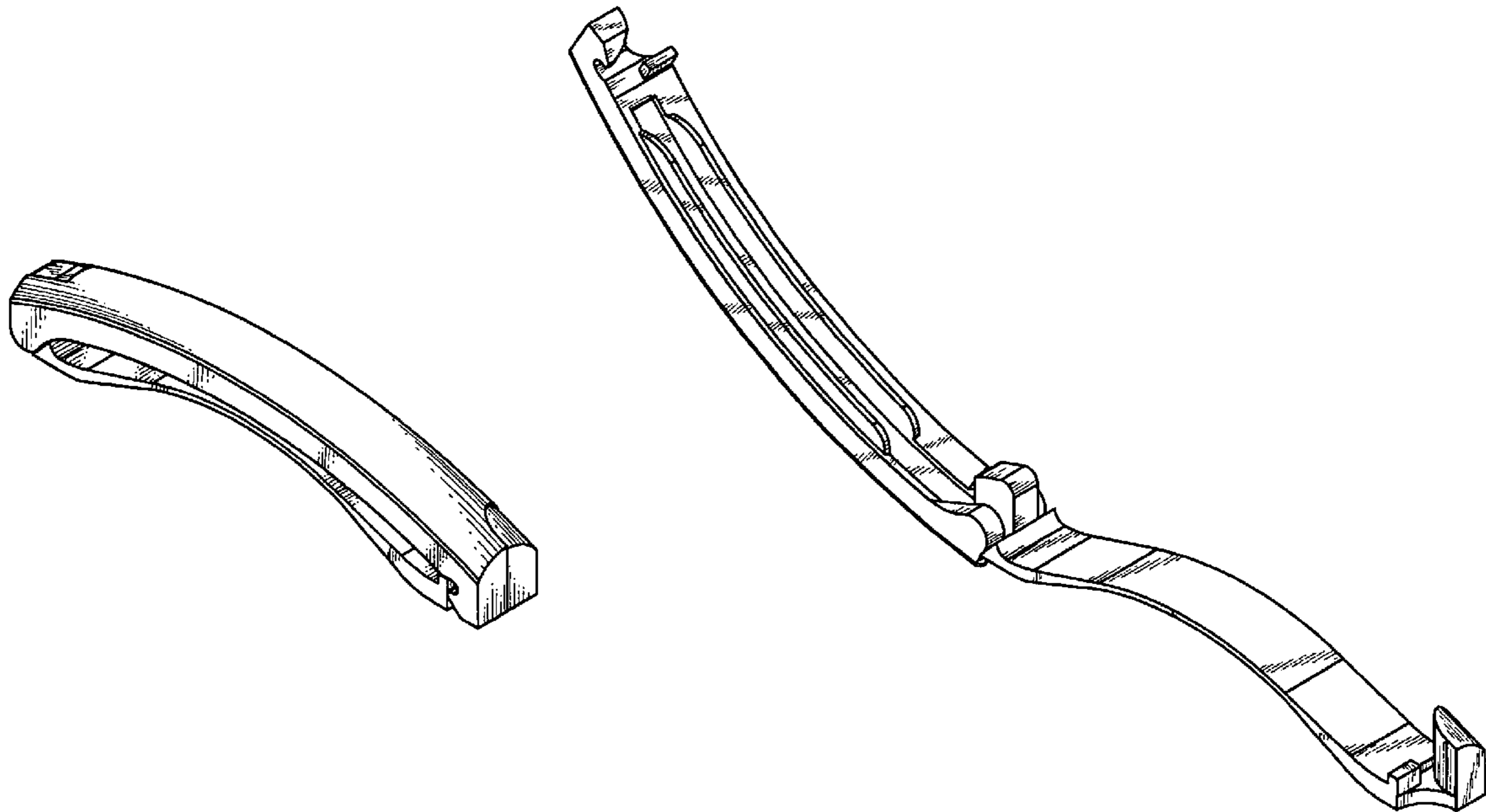
1,589,228 A * 6/1926 Robb 24/532
D309,835 S * 8/1990 Stone, Jr. et al. D6/328
D357,550 S * 4/1995 Smith D28/42
5,609,169 A * 3/1997 Yang 132/279
D381,463 S * 7/1997 Gerber D28/42
D384,459 S * 9/1997 Eisenman D32/61

FIG. 6 is a top plan view thereof;

FIG. 7 is a bottom plan view thereof; and,

FIG. 8 is a perspective view thereof, illustrating an opening configuration of the hair clip.

1 Claim, 5 Drawing Sheets



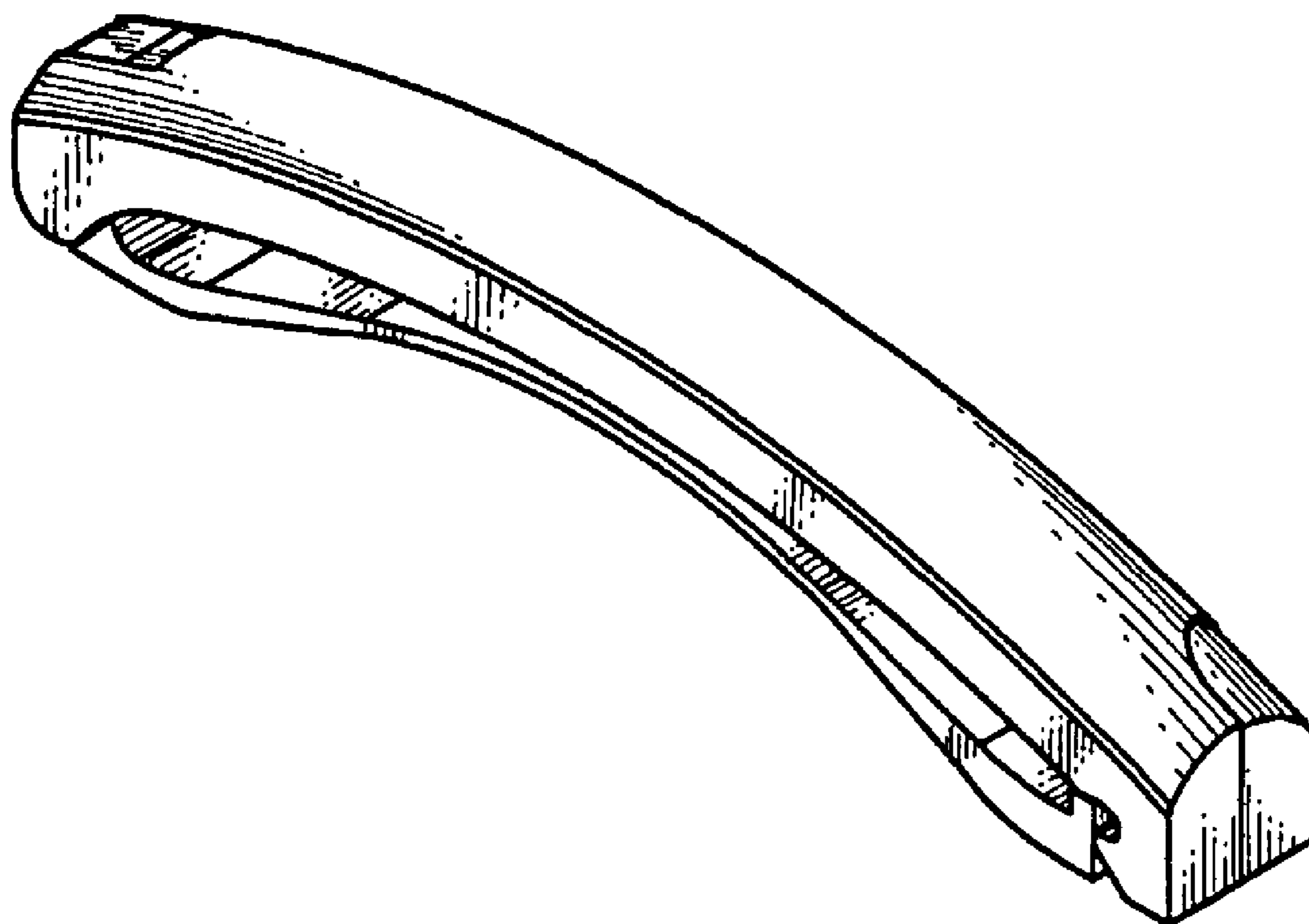


FIG.1

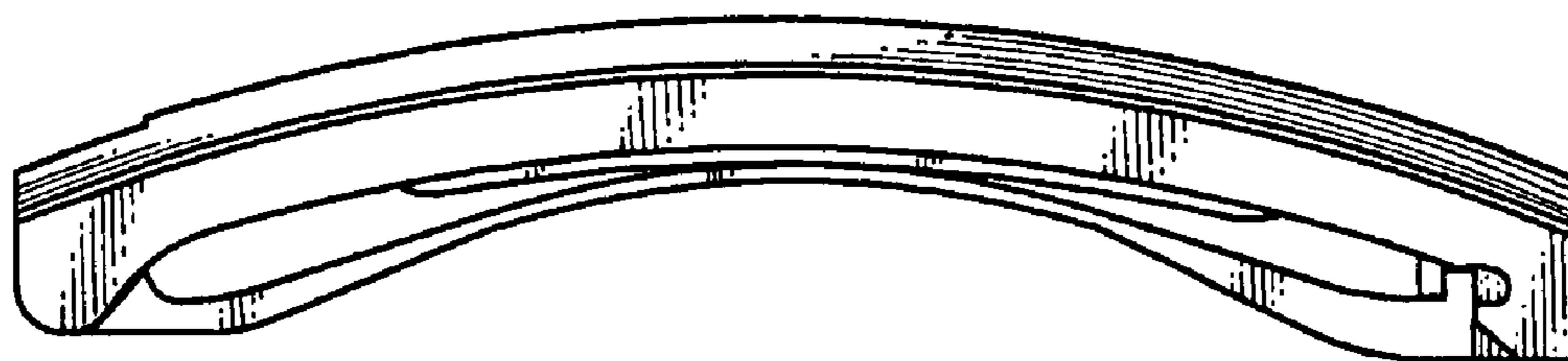


FIG. 2

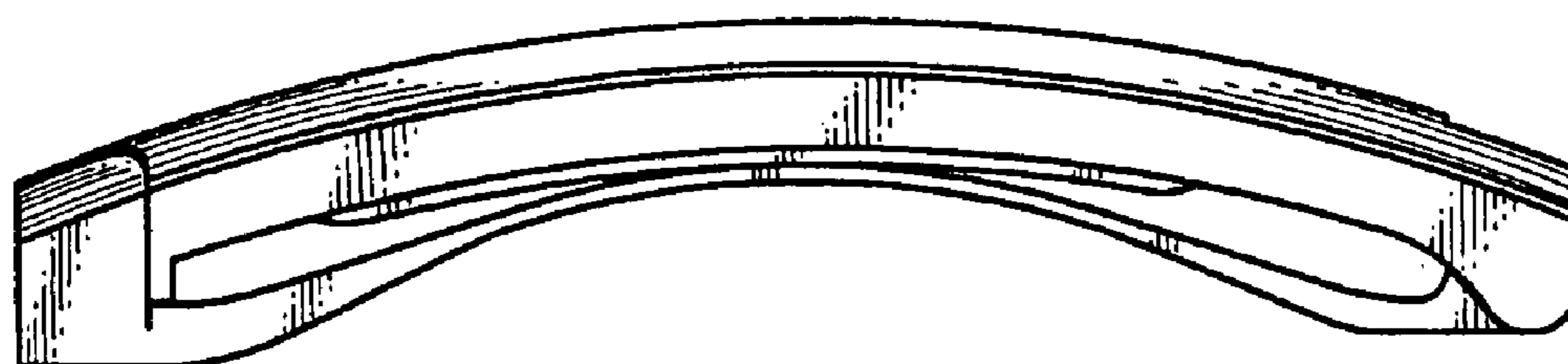


FIG. 3



FIG. 4



FIG. 5

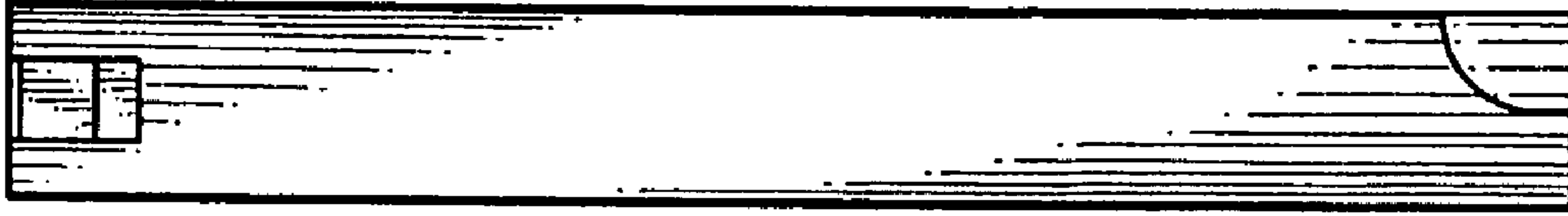


FIG.6

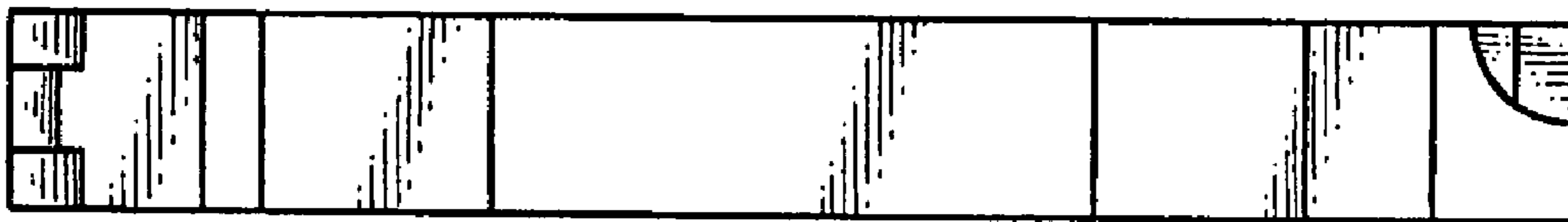


FIG.7

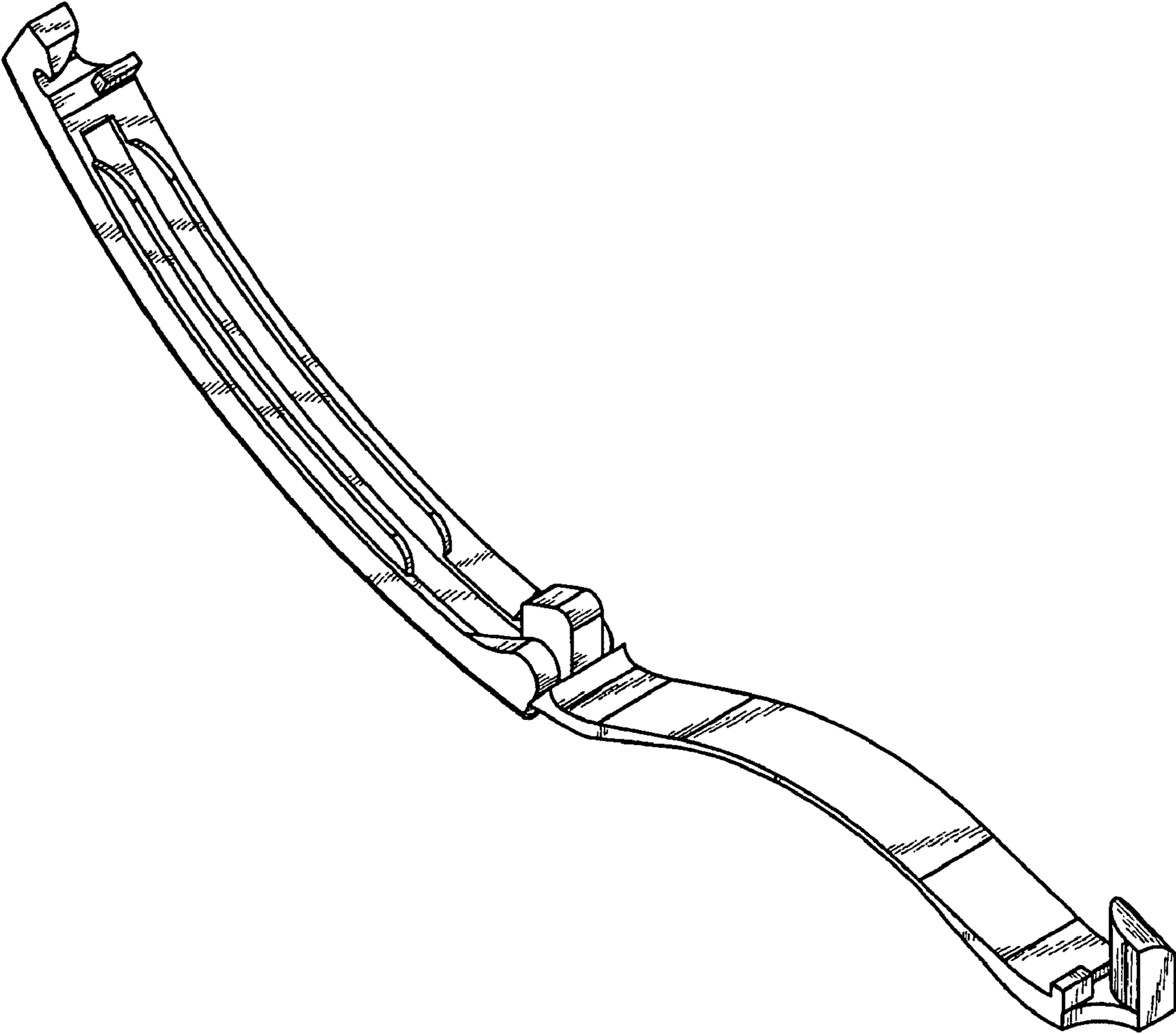


FIG.8