



US00D585153S

(12) **United States Design Patent**  
**Maxik et al.**

(10) **Patent No.:** **US D585,153 S**

(45) **Date of Patent:** **\*\* Jan. 20, 2009**

(54) **LIGHT**

(75) Inventors: **Fredric S. Maxik**, Indialantic, FL (US);  
**Addy S. Widjaja**, Palm Bay, FL (US)

(73) Assignee: **Lighting Science Group Corporation**,  
Satellite Beach, FL (US)

(\*\*) Term: **14 Years**

(21) Appl. No.: **29/307,119**

(22) Filed: **Mar. 31, 2008**

(51) **LOC (9) Cl.** ..... **26-03**

(52) **U.S. Cl.** ..... **D26/85**

(58) **Field of Classification Search** ..... D26/72,  
D26/85-92, 24; D10/114; 362/147, 431,  
362/432, 362, 155-157

See application file for complete search history.

(56) **References Cited**

**U.S. PATENT DOCUMENTS**

D87,355 S *	7/1932	Pospisil	.....	D26/72
2,509,707 A *	5/1950	Taylor	.....	D26/85
D186,718 S *	11/1959	Summers	.....	D26/85
D189,857 S *	3/1961	Lasker	.....	D26/85
D190,922 S *	7/1961	Anthony	.....	D26/24
D363,250 S *	10/1995	Miyatake	.....	D10/114

D403,458 S *	12/1998	Walz	.....	D26/85
D475,154 S *	5/2003	Binsukor	.....	D26/72
D559,424 S *	1/2008	Martineau et al.	.....	D26/85

\* cited by examiner

*Primary Examiner*—Clare E Heflin

(74) *Attorney, Agent, or Firm*—Kenyon & Kenyon LLP

(57) **CLAIM**

The ornamental design for a light, as shown and described.

**DESCRIPTION**

FIG. 1 is a perspective view of a first embodiment of a light showing the new design;

FIG. 2 is a front view thereof;

FIG. 3 is a bottom view thereof;

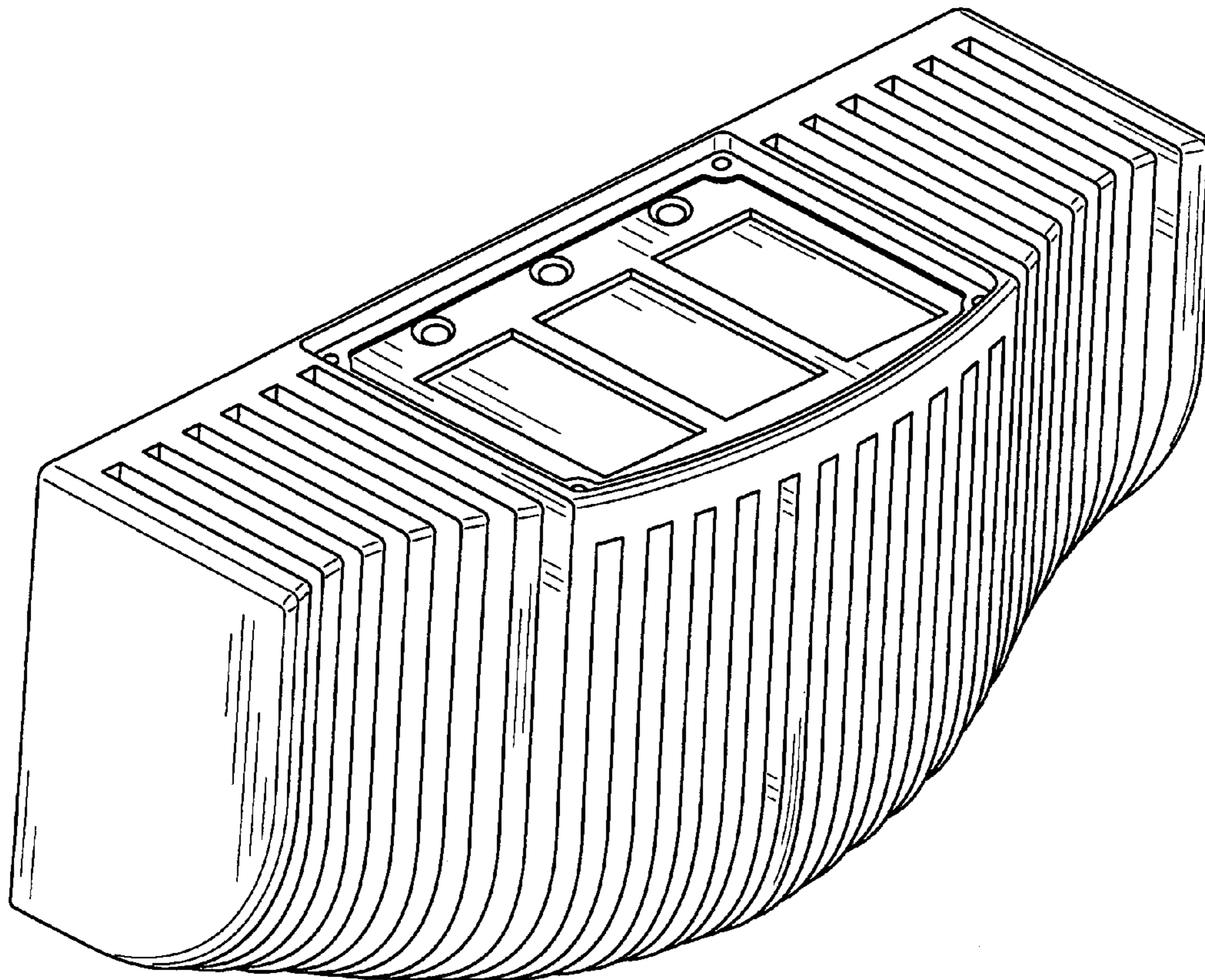
FIG. 4 is a left side view thereof;

FIG. 5 is a right side view thereof; and,

FIG. 6 is a perspective view of a second embodiment of a light showing my new design; the front view, the bottom view, the left side view and the right side view thereof being the same as that shown in FIGS. 2 through 5, respectively.

The broken line portions shown on FIG. 6 form no part of that embodiment of the claimed design.

**1 Claim, 4 Drawing Sheets**



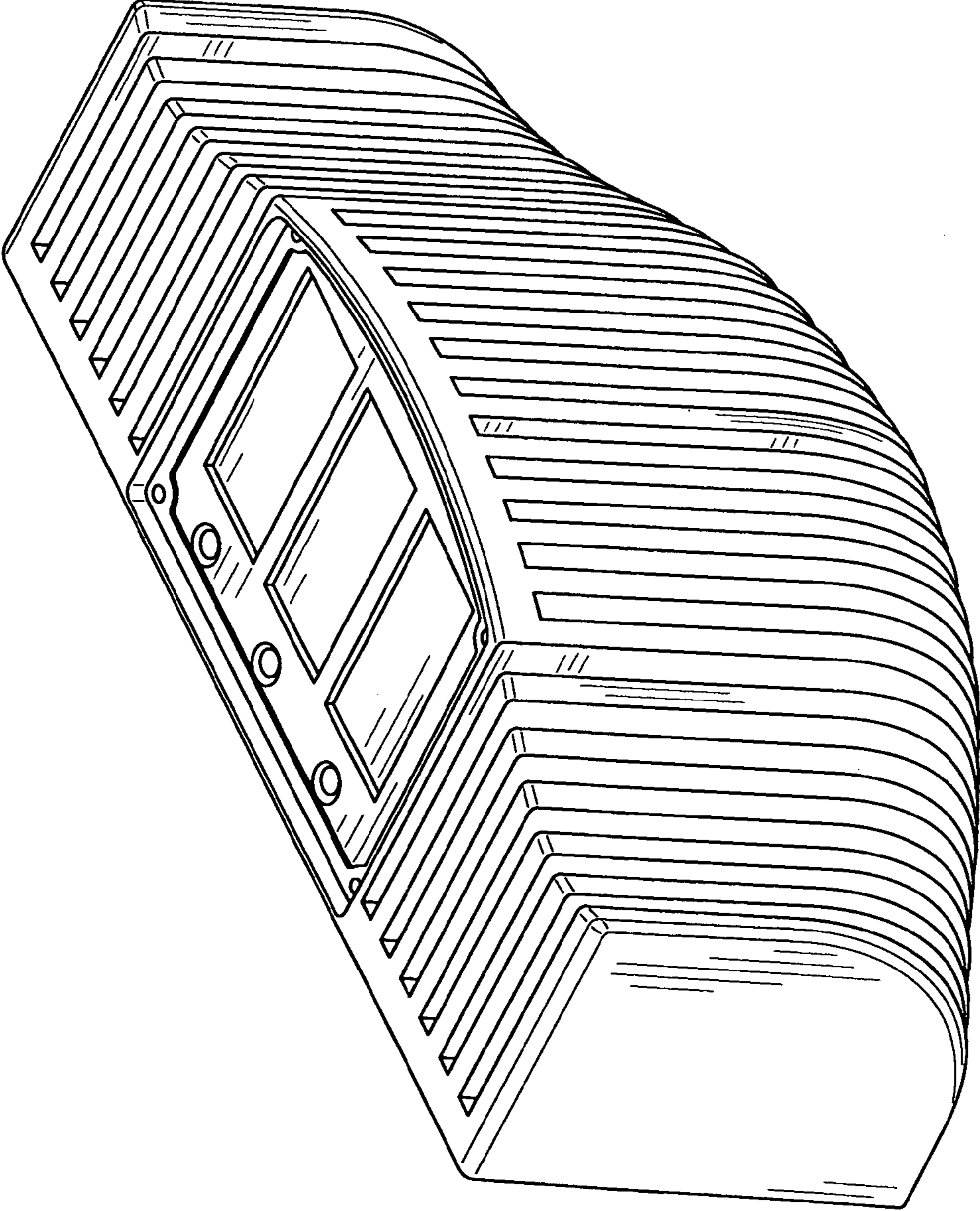


FIG. 1

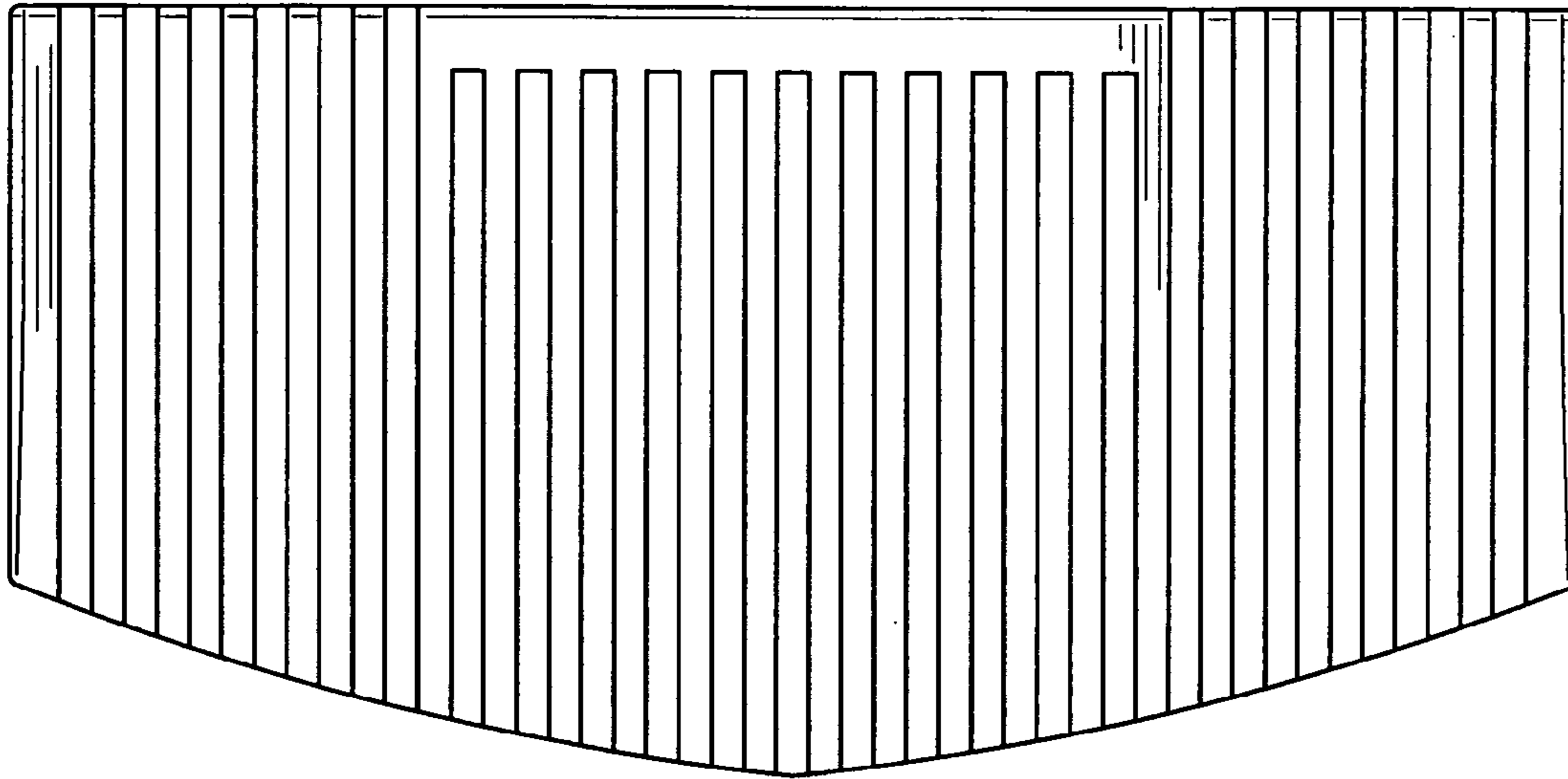


FIG. 2

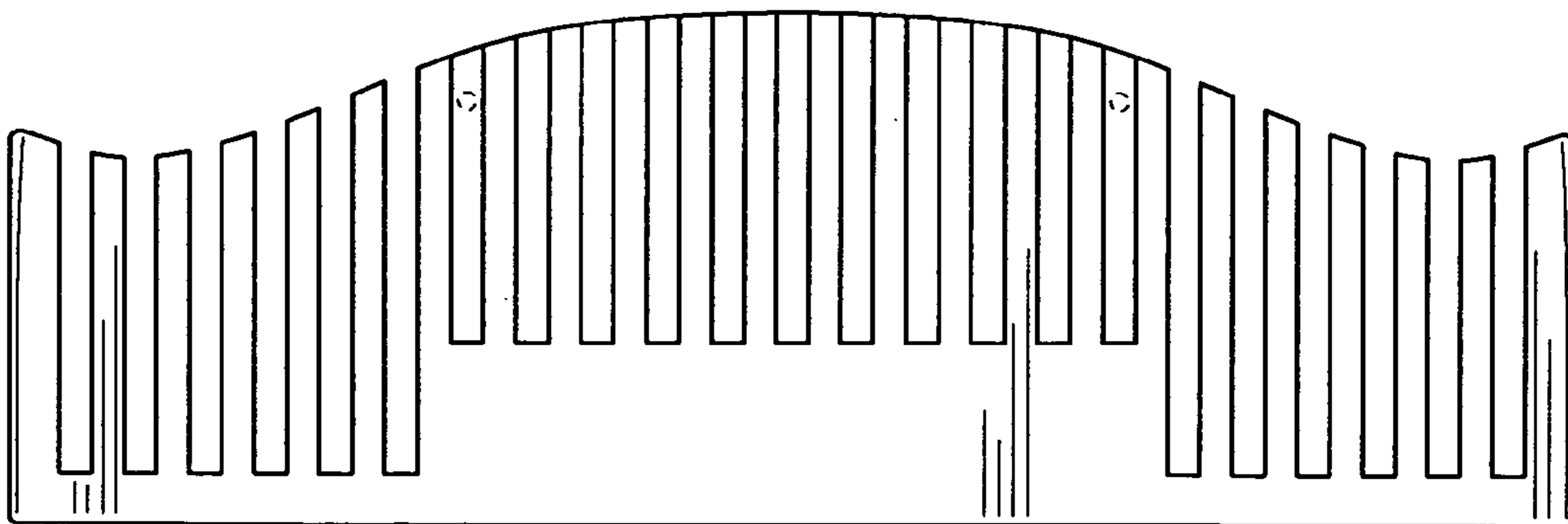


FIG. 3

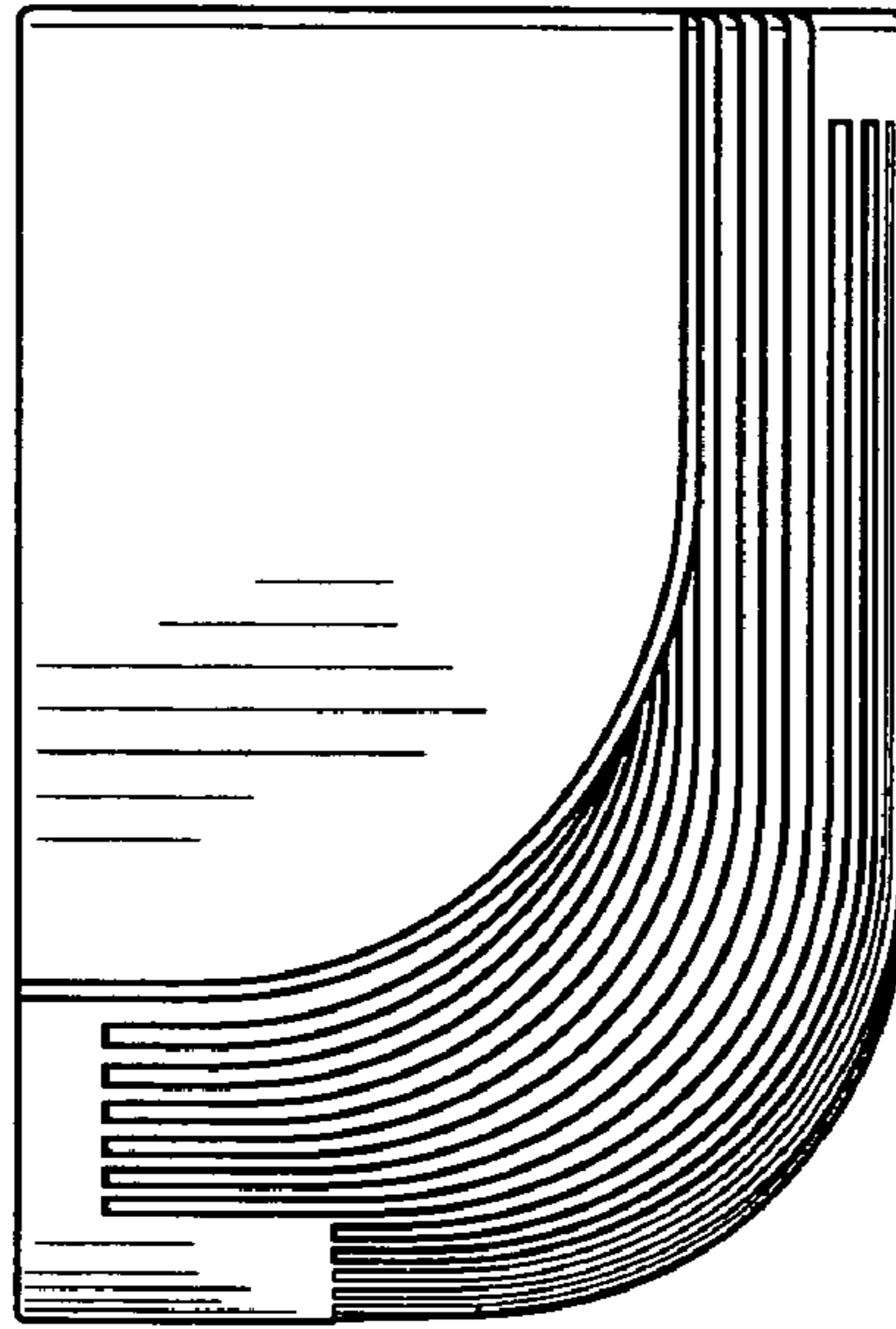


FIG. 4

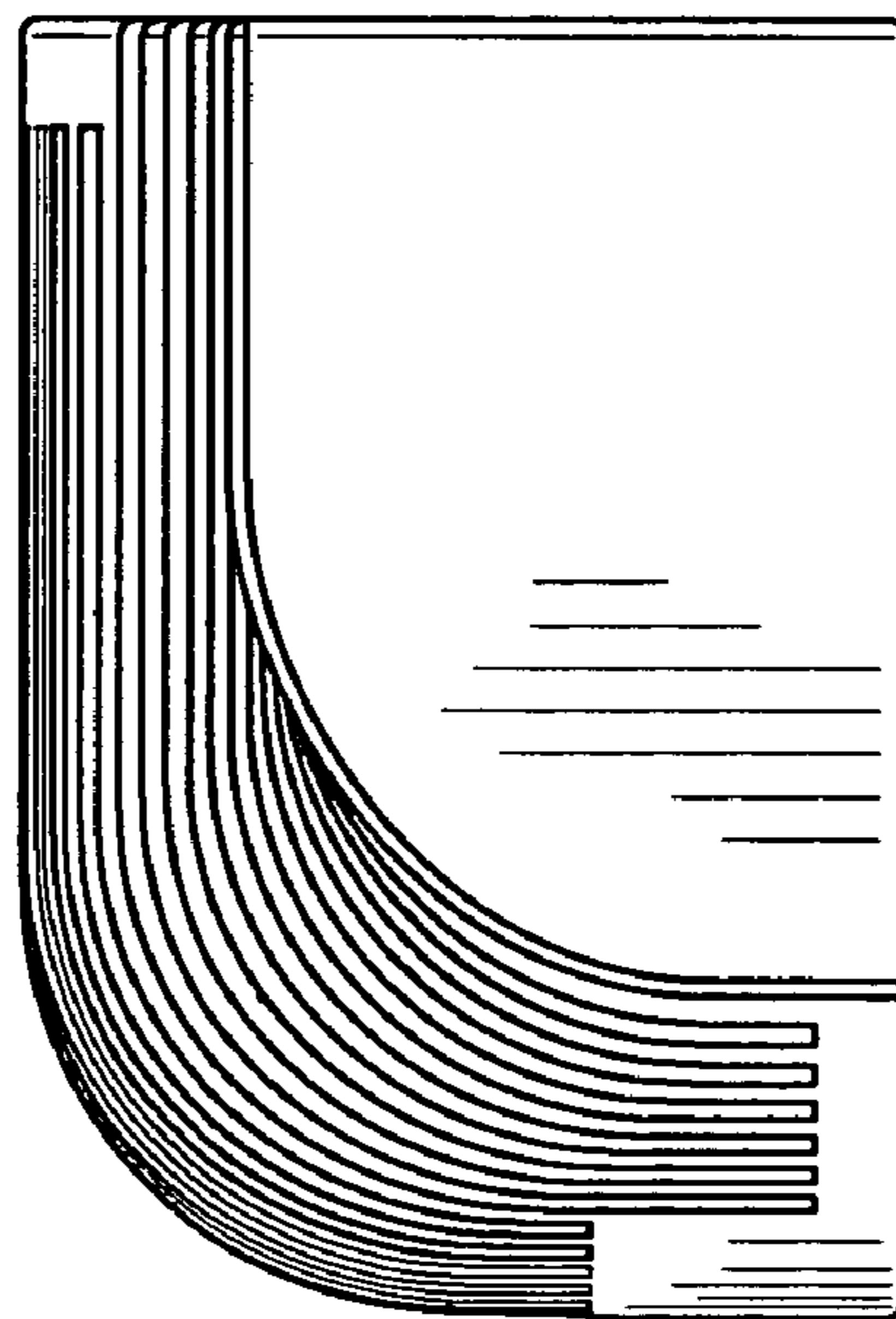


FIG. 5

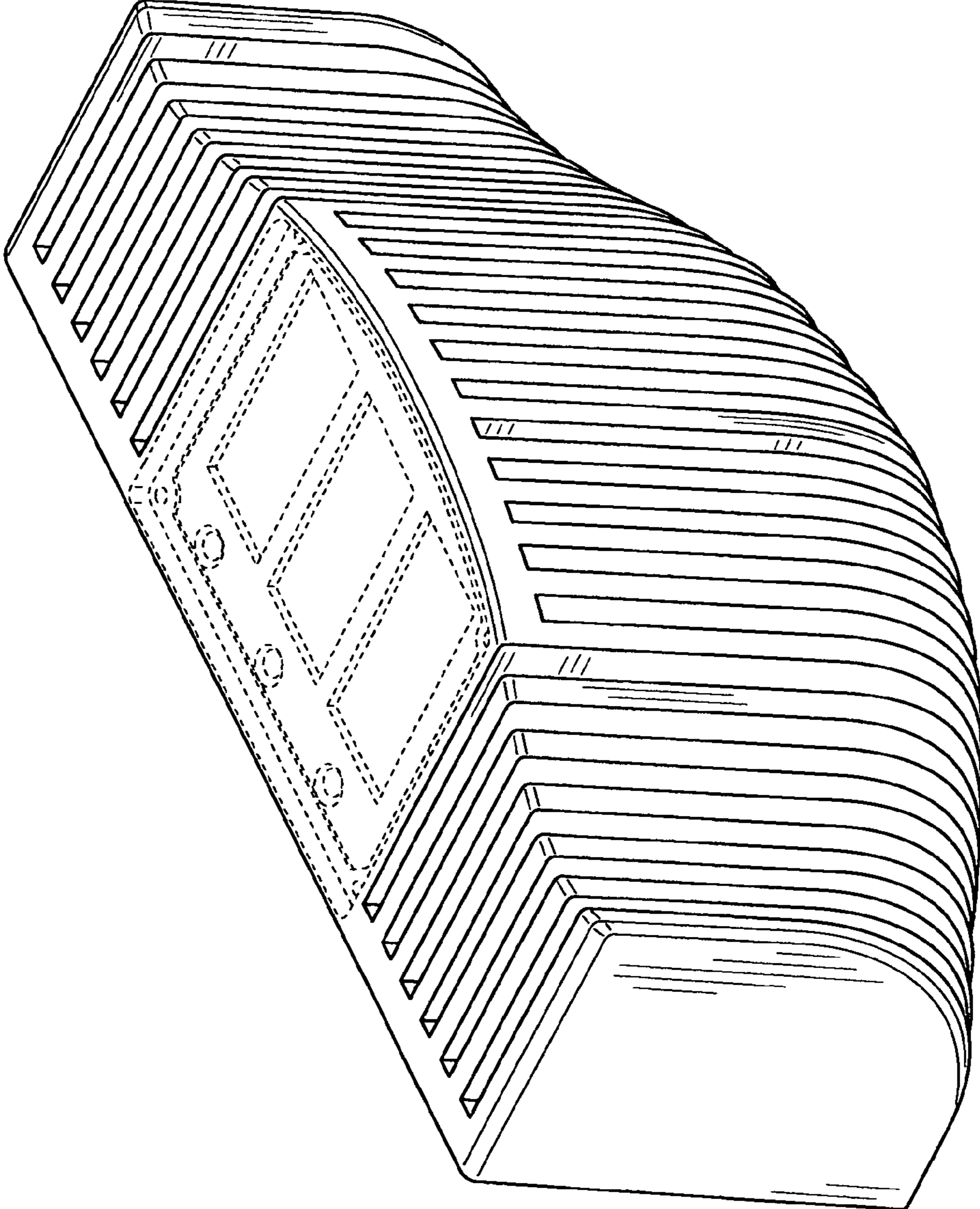


FIG. 6