



US00D585152S

(12) **United States Design Patent**
Levine

(10) **Patent No.:** **US D585,152 S**
(45) **Date of Patent:** **** Jan. 20, 2009**

(54) **LIGHTING DEVICE**

(76) Inventor: **Jonathan E. Levine**, 419 Park Ave.
South, Suite 505, New York, NY (US)
10016

(**) Term: **14 Years**

(21) Appl. No.: **29/323,012**

(22) Filed: **Aug. 15, 2008**

D290,294 S	6/1987	Sano et al.
D290,884 S	7/1987	Sano et al.
4,816,969 A	3/1989	Miller
5,012,394 A	4/1991	Woodward
D327,334 S	6/1992	Parker
D330,269 S	10/1992	Hong
D350,620 S	9/1994	Yuen
D360,049 S	7/1995	Shemitz

Related U.S. Application Data

(63) Continuation of application No. 29/281,099, filed on Jun. 14, 2007, now Pat. No. Des. 576,334.

(51) **LOC (9) Cl.** **26-03**

(52) **U.S. Cl.** **D26/76**

(58) **Field of Classification Search** D26/2,
D26/7, 24, 35, 60-63, 72, 74-79, 81-92,
D26/118, 122; D14/209-210; D23/328,
D23/372, 385; 362/105, 125, 130, 132, 147,
362/217-225, 260-263, 269, 282-283, 337,
362/364, 374, 378, 652; 43/113; 52/98

See application file for complete search history.

(56) **References Cited**

U.S. PATENT DOCUMENTS

D130,059 S	3/1941	Herr	
D130,813 S	12/1941	Carter, Jr.	
2,345,235 A	3/1944	Carter, Jr.	
2,352,804 A *	7/1944	Schepmoes	362/222
2,421,967 A *	6/1947	Schepmoes	362/223
D155,488 S	10/1949	Crockett	
D163,762 S	6/1951	McCann	
2,595,520 A	5/1952	Guerin	
D175,933 S	11/1955	Crockett	
4,268,894 A *	5/1981	Bartunek et al.	362/158
D259,586 S	6/1981	Johnson	
4,449,167 A *	5/1984	Cohen	362/269
D278,461 S	4/1985	Pepall	
D283,645 S	4/1986	Tanaka	

(Continued)

Primary Examiner—Robert M Spear
Assistant Examiner—Susan E Krakower
(74) *Attorney, Agent, or Firm*—Theodore W. Baker

(57) **CLAIM**

I claim the ornamental design for a lighting device, as shown and described.

DESCRIPTION

FIG. 1 is a top and side perspective view of a lighting device according to my new design.

FIG. 2 is an end elevation view of the lighting device of FIG. 1, the opposite end view being a mirror image thereof.

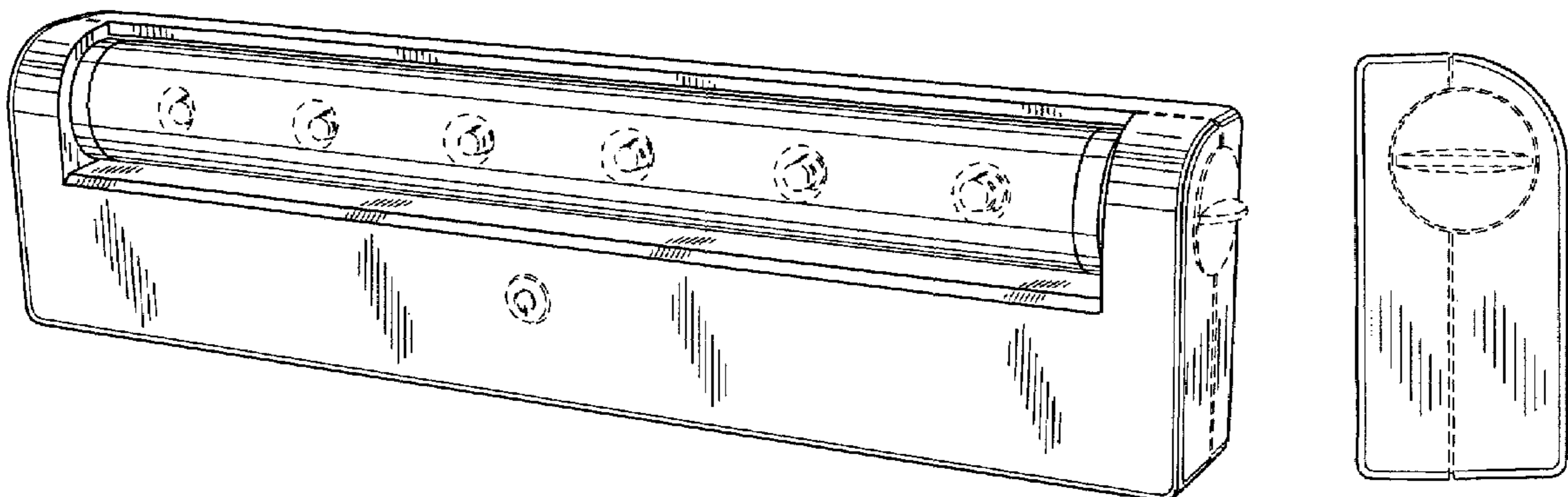
FIG. 3 is a front elevation view of the lighting device of FIG. 1.

FIG. 4 is a back elevation view of the lighting device of FIG. 1.

FIG. 5 is a top plan view of the lighting device of FIG. 1; and, FIG. 6 is a bottom plan view of the lighting device of FIG. 1.

The broken lines illustrated portions of the lighting device that form no part of the claimed design.

1 Claim, 2 Drawing Sheets



US D585,152 S

Page 2

U.S. PATENT DOCUMENTS

D377,990 S	2/1997	Nakano		D508,582 S	8/2005	Nayler et al.	
D386,278 S	11/1997	Engle et al.		D521,171 S	5/2006	Skegin	
5,765,939 A	6/1998	Tanner, Jr.		D522,678 S	6/2006	Wang	
D397,478 S	8/1998	Booty, Jr.		D523,984 S	6/2006	Cai	
D397,479 S	8/1998	Compton et al.		7,066,619 B2	6/2006	Waters	
D404,159 S	1/1999	Klaus		D525,381 S	7/2006	Hodgson	
D408,567 S	4/1999	Coe		D526,433 S	8/2006	Li	
5,934,787 A	8/1999	Sharma		D527,131 S	8/2006	McCarthy, III	
D415,304 S	10/1999	Brown		7,114,833 B1 *	10/2006	Pickett et al.	362/373
6,033,085 A *	3/2000	Bowker	362/223	D537,186 S *	2/2007	Weddell	D26/80
D423,130 S	4/2000	Kung		D542,457 S	5/2007	Fisherman et al.	
D432,696 S	10/2000	Ford		D549,382 S	8/2007	Lee	
D440,692 S	4/2001	Janos et al.		D550,884 S	9/2007	Tufano et al.	
D443,096 S *	5/2001	Echito	D26/76	7,270,443 B2	9/2007	Kurtz et al.	
D446,877 S	8/2001	Lester		D557,442 S *	12/2007	Niemier	D26/85
D449,402 S *	10/2001	Echito	D26/76	D561,925 S	2/2008	Levine	
D456,546 S	4/2002	Bernard		D563,013 S *	2/2008	Levine	D26/63
6,390,652 B1	5/2002	Echito		D563,014 S *	2/2008	Levine	D26/63
6,406,161 B1	6/2002	Lin et al.		D563,582 S	3/2008	Levine	
D464,162 S	10/2002	Segretto		D565,774 S *	4/2008	Martineau	D26/72
D469,560 S	1/2003	Nayler et al.		D565,785 S *	4/2008	Kerr	D26/113
D470,262 S	2/2003	Yiu		7,360,916 B2 *	4/2008	Sanborn et al.	362/133
6,536,924 B2	3/2003	Segretto		D576,334 S *	9/2008	Levine	D26/76
D476,106 S	6/2003	Kim		2001/0009511 A1	7/2001	Griffiths	
6,588,920 B2	7/2003	Agro		2002/0083639 A1 *	7/2002	Perry	43/114
6,755,551 B2 *	6/2004	Soorus et al.	362/221	2002/0145876 A1	10/2002	Juang	
6,827,465 B2	12/2004	Shemitz et al.		2005/0007778 A1 *	1/2005	Lin	362/250
6,877,875 B2	4/2005	Yu et al.		2006/0256584 A1	11/2006	Paoluccio	

* cited by examiner

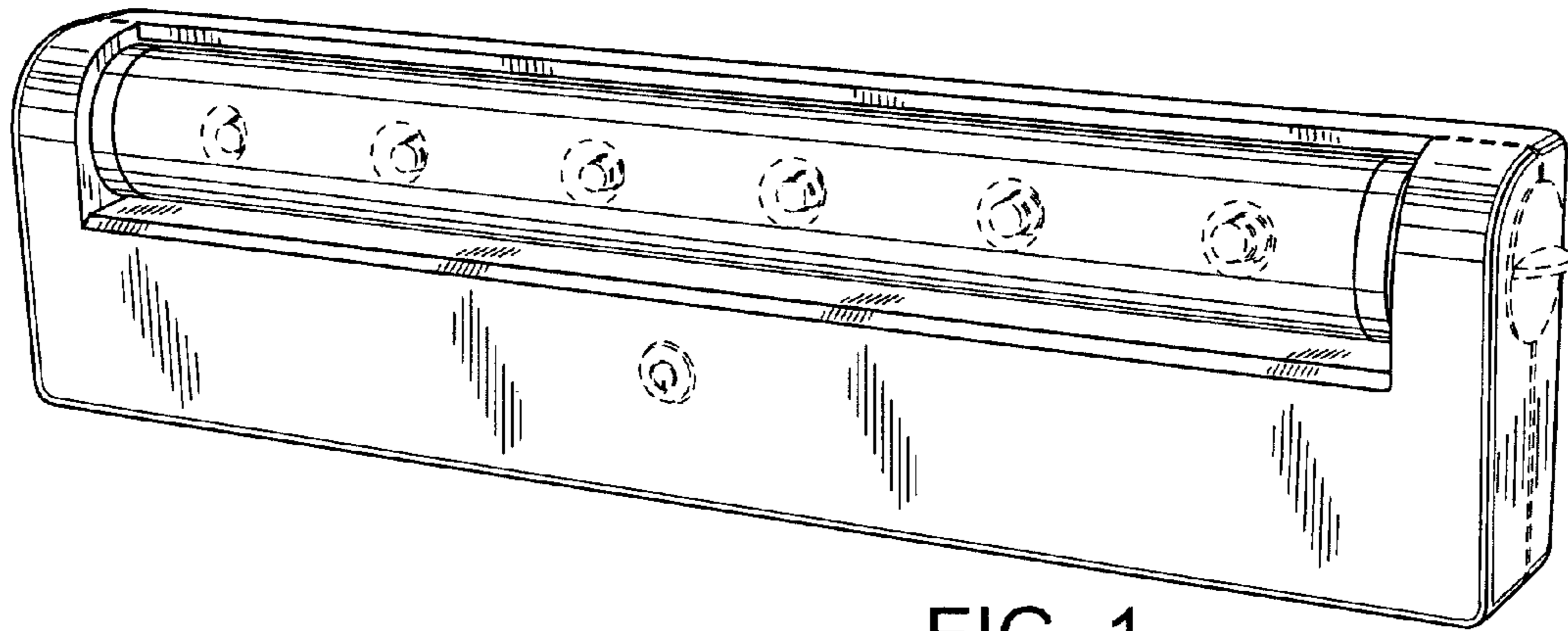


FIG. 1

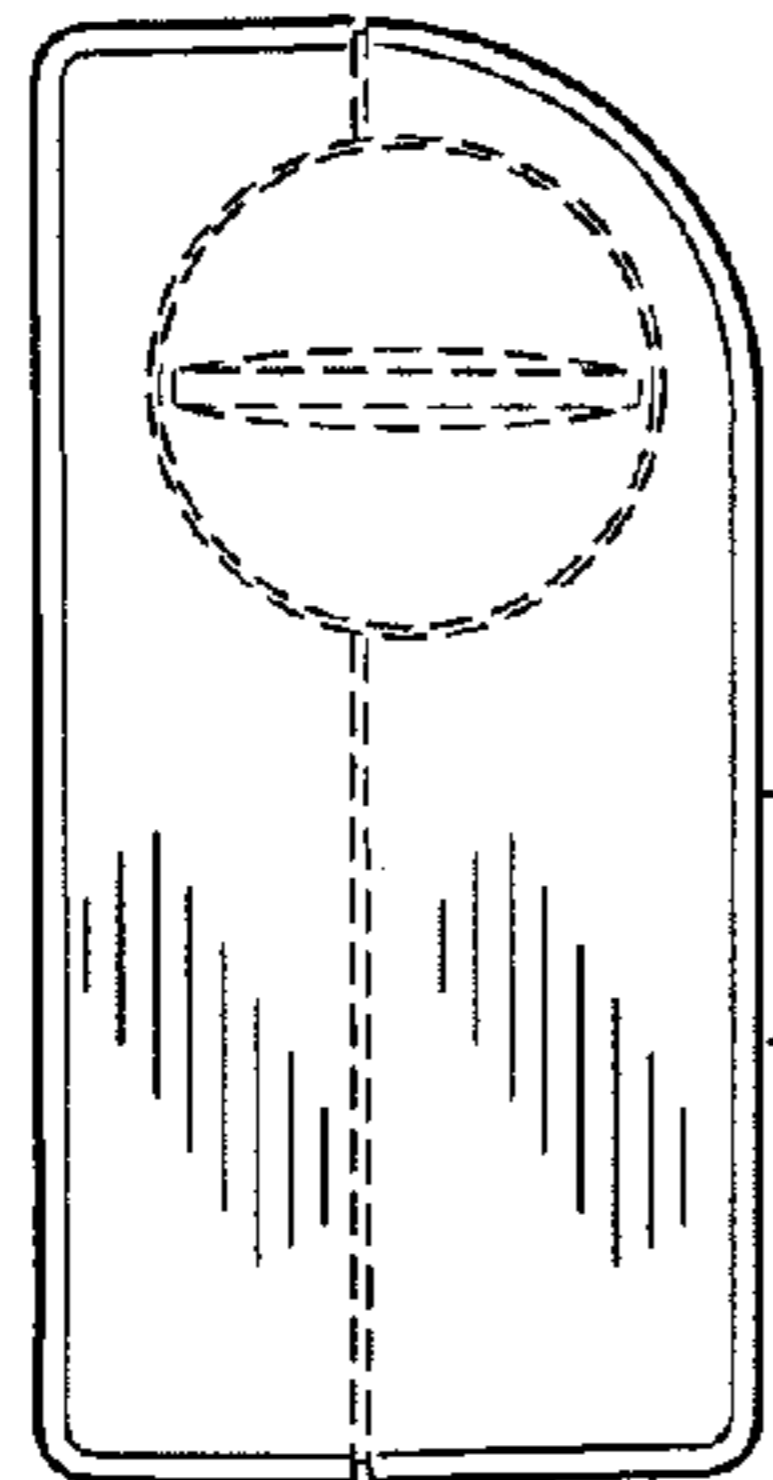


FIG. 2

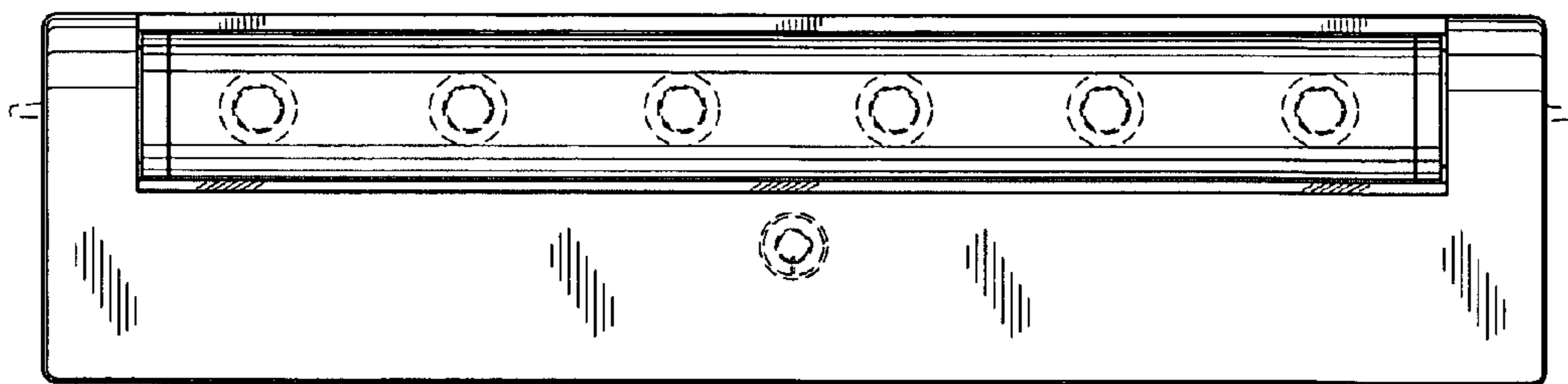


FIG. 3

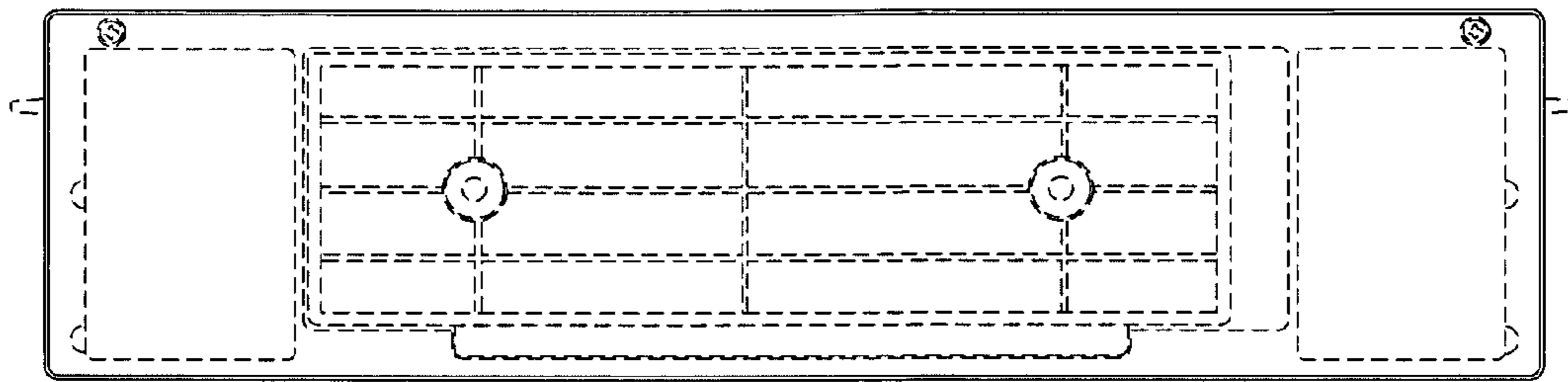


FIG. 4

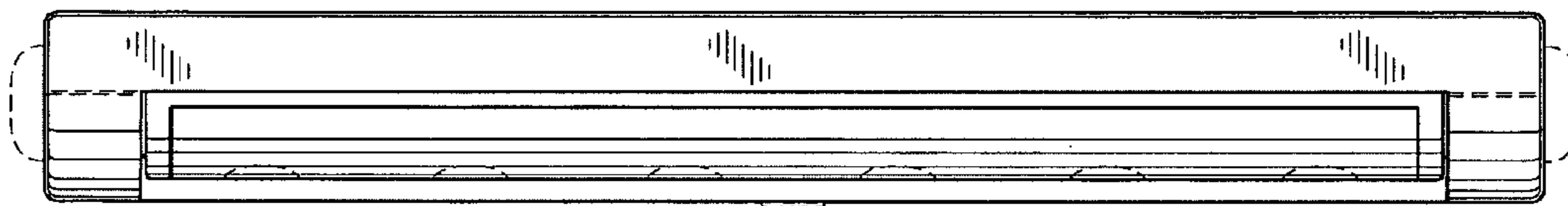


FIG. 5

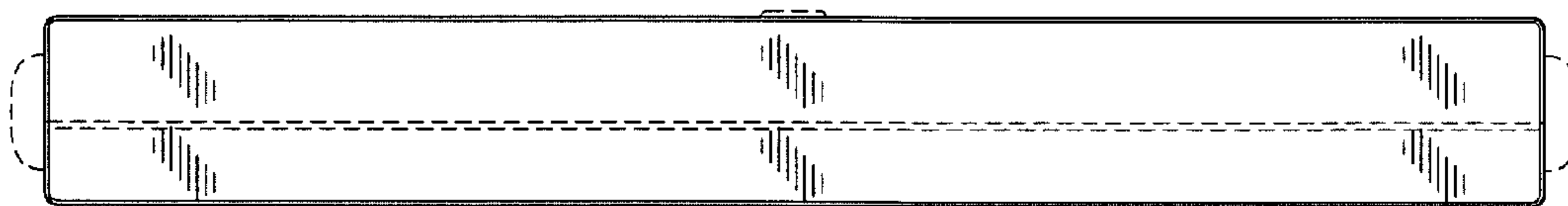


FIG. 6